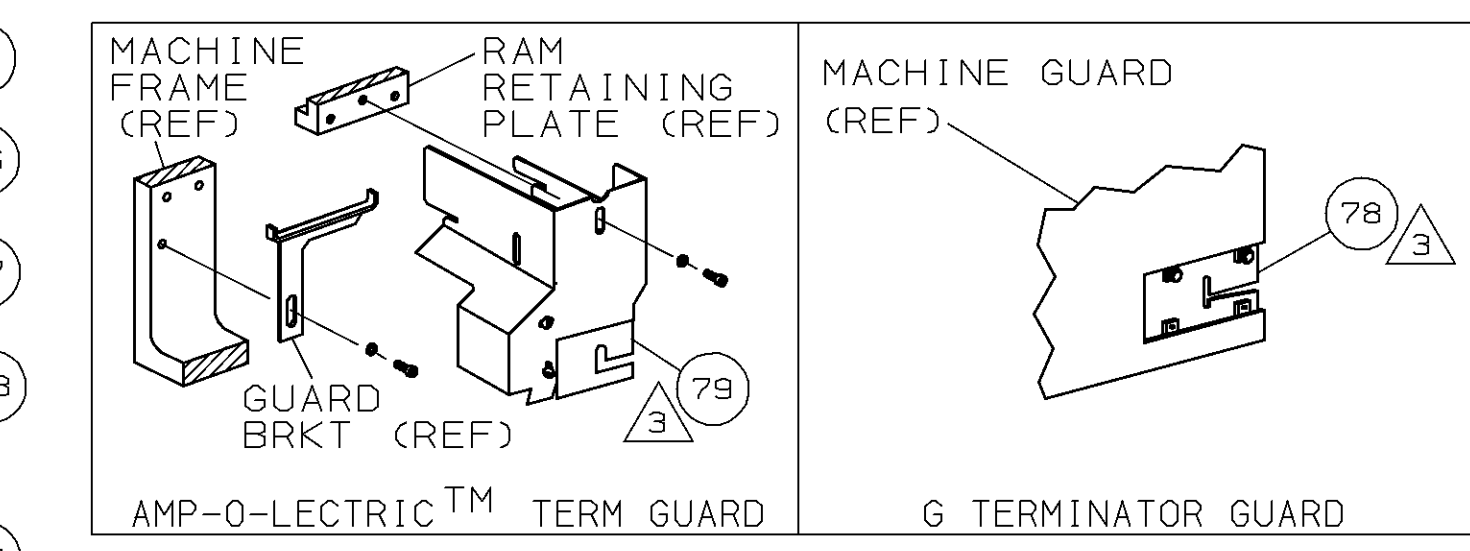
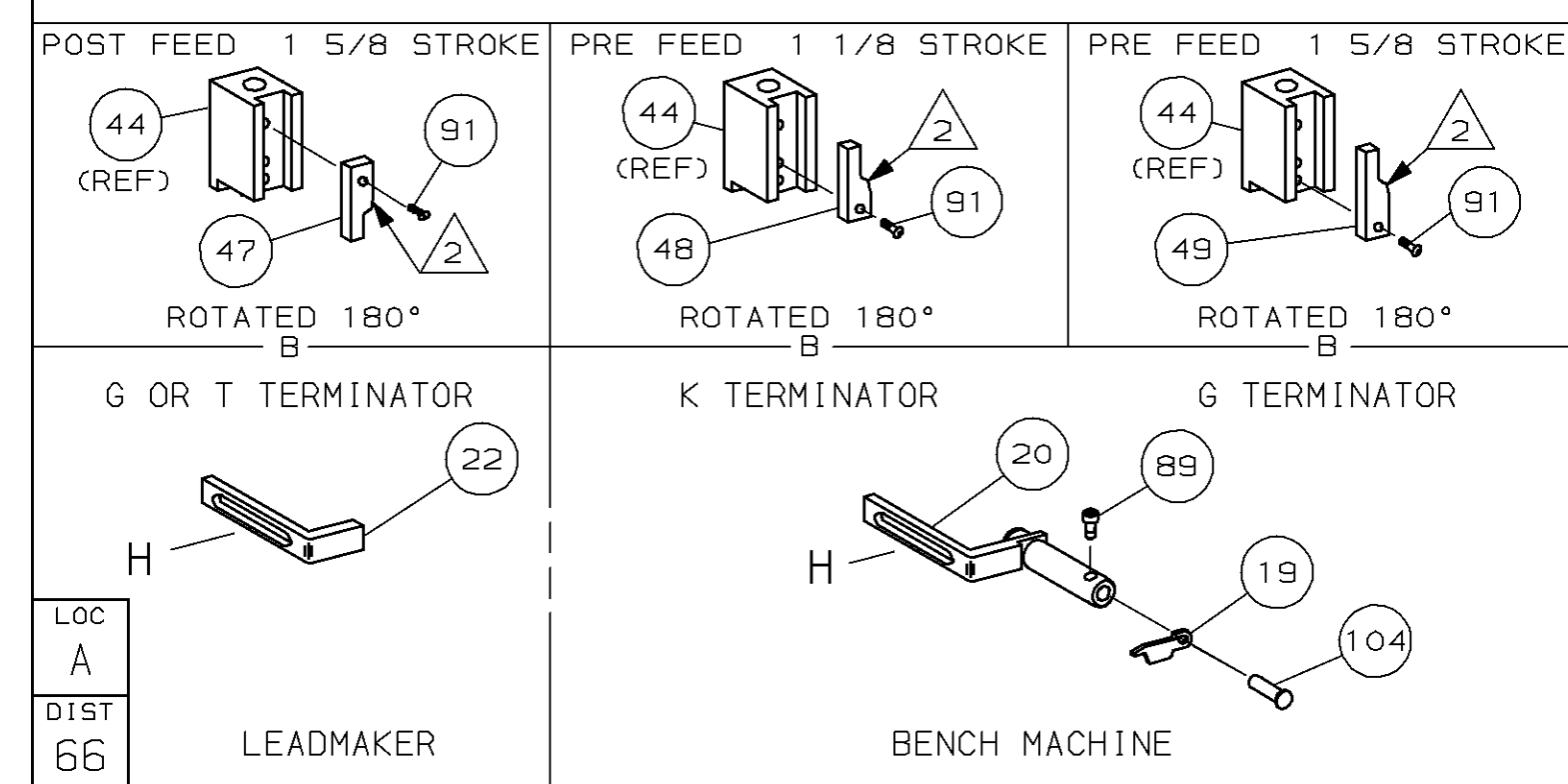
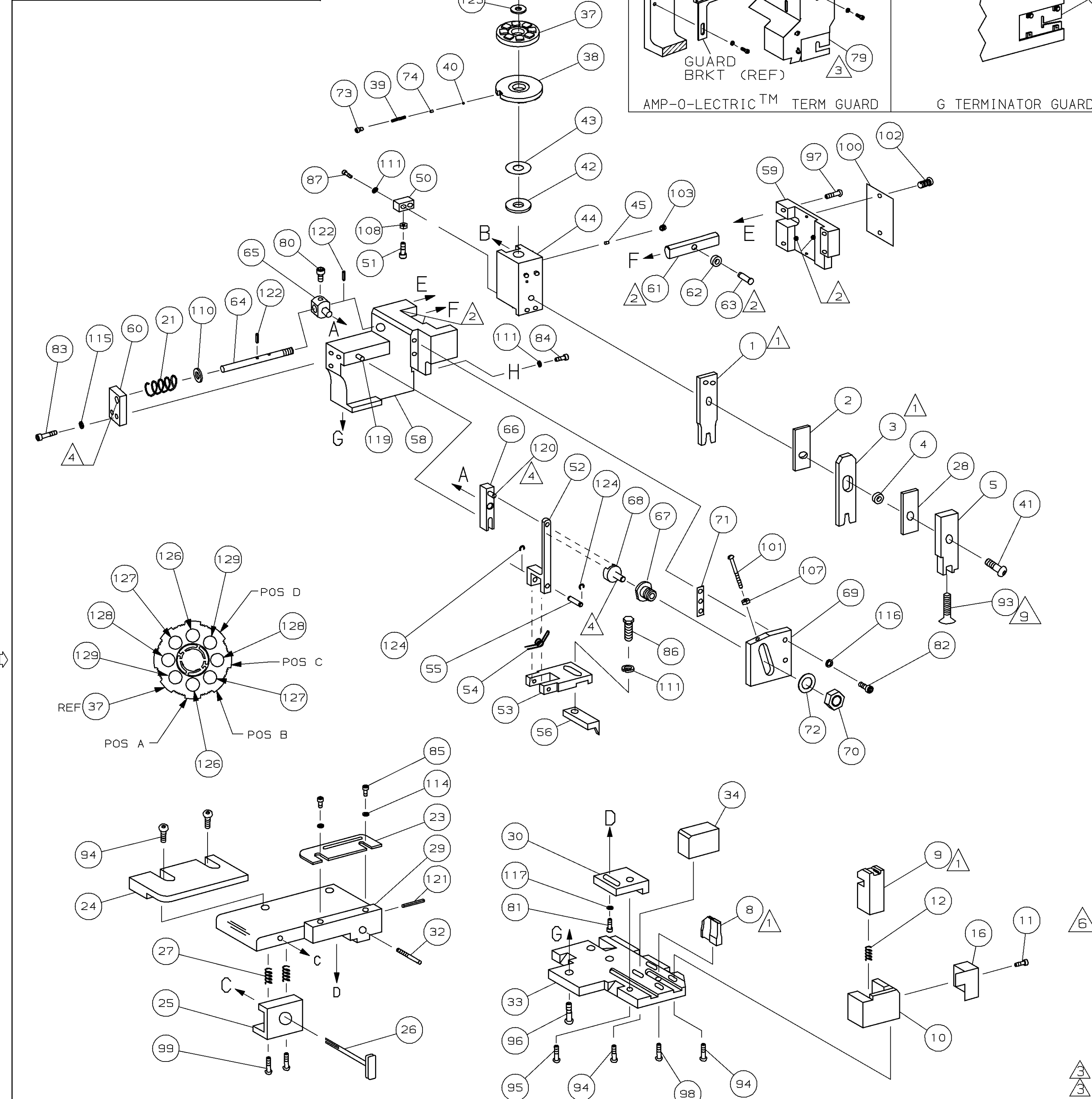


PART NUMBER	REV	FIRST USED
680121-1	B	854400-1
680121-2	B	565435-5
680121-3	B	354500-1



TERMINAL NAME: RECP MIC MK II

TERM	APPL	SPEC	114-20052
2	2	2	- C
2	2	2	- C
2	2	2	- C
2	2	2	- C
1	1	1	- A
REF	REF	REF	- A

CRIMPING DATA

PAD LTR	CRIMP HEIGHT	WIRE SIZE	
A	.062 ± .002	1.5mm ²	
B	.058 ± .002	1mm ²	
C	.055 ± .002	0.75mm ²	
D	.051 ± .002	0.5mm ²	
CRIMP	SIZE	TYPE	RANGE
WIRE	.100	F	0.5 - 1.5mm ²
INSUL	.165	o	
FEED	.488	APPL INST	SET UP GAGE LAYOUT
		408-8040	458637-1 L1594
WIRE STRIP LENGTH -			

QTY	REQD	PER	ASSY	U/M	DWG	SIZE	PART NO	DESCRIPTION	ITEM
2	2	2	-	C			2-354779-0	PIN, WIRE DISC (.3090)D	129
2	2	2	-	C			1-354779-2	PIN, WIRE DISC (.3050)C	128
2	2	2	-	C			354779-6	PIN, WIRE DISC (.3020)B	127
2	2	2	-	C			9-354778-7	PIN, WIRE DISC (.2980)A	126
REF	REF	REF	-	A			986950-1	WASHER, FLAT PRECISION	125
REF	REF	REF	-	A			21045-3	RING, RET "C" (Ø.187)FD FING PIN	124
REF	REF	REF	-	A			5-21028-1	PIN, SLT SPR (Ø.125x.50)ADJ ROD	122
1	1	1	-	A			4-21028-0	PIN, SLT SPR (Ø.093x.75)ST GDE PL	121
REF	REF	REF	-	A			1-21030-1	PIN, DOWEL (Ø.187x.50)LEVER	120
REF	REF	REF	-	A			1-21030-6	PIN, DOWEL (Ø.187x1.25)HOUSING	119
1	1	1	-	A			21024-5	WASHER, LOCK (#10)ADJ BLOCK	118
REF	REF	REF	-	A			21024-5	WASHER, LOCK (#10)ADJ PLATE	116
REF	REF	REF	-	A			21024-5	WASHER, LOCK (#10)FEED GDE ROD	115
2	2	2	-	A			21024-2	WASHER, LOCK (#4)FRONT STP GUIDE	114
4	4	4	-	A			21024-4	WASHER, LOCK (#8)STRIPPER	111
REF	REF	REF	-	A			21899-4	WASHER, FLAT (Ø5/16)SCREW ADJ	110
1	1	1	-	A			21018-5	NUT, HEX (NO. 6)HOLDDOWN	108
REF	REF	REF	-	A			21018-5	NUT, HEX (6-32)FEED ADJ	107
1	1	1	-	A			992031-1	PIN, CLEVIS	104
1	1	1	-	A			21009-2	SCR, SKT SET (1/4-20x.25 LW)RAM	103
2	2	2	-	A			21017-2	SCR, DRIVE (#2x.19)ID PLATE	102
REF	REF	REF	-	A			6-23715-5	SCR, PAN HD (6-32x1.50)FEED ADJ	101
1	1	1	-	B			461264-1	PLATE, IDENTIFICATION	100
2	2	2	-	A			3-21002-0	SCR, BHC (10-32x.88)DRAG	99
1	1	1	-	A			22733-8	SCR, BHC (8-32x.38 LW)ANVIL	98
REF	REF	REF	-	A			2-21002-9	SCR, BHC (10-32x.75)CAP	97
REF	REF	REF	-	A			2-22733-8	SCR, BHC (1/4-20x.62)HOUSING	96
REF	REF	REF	-	A			2-21002-7	SCR, BHC (10-32x.50)SG ADJ BLOCK	95
6	6	6	-	A			2-21002-2	SCR, BHC (8-32x.50)SHEAR	94
1	1	1	-	A			1-21003-9	SCR, FHC (6-32x.38)DEP	93
1	1	1	-	A			1-21002-7	SCR, BHC (6-32x.38)CAM	91
1	1	1	-	A			7-21000-9	SCR, SHC (4-40x.19)STRIPPER	89
2	2	2	-	A			2-21000-7	SCR, SHC (8-32x.43)HOLD DOWN	87
1	1	1	-	A			2-22603-0	SCR, HEX HD (8-32x.31)FEED FINGER	86
2	2	2	-	A			1-21000-3	SCR, SHC (4-40x.25)F ST GUIDE	85
1	1	1	-	A			2-21000-7	SCR, SHC (8-32x.50)STRIPPER	84
REF	REF	REF	-	A			3-21000-7	SCR, SHC (10-32x.75)FEED ROD GD	83
REF	REF	REF	-	A			3-21000-6	SCR, SHC (10-32x.62)FD ADJ BLK	82
1	1	1	-	A			3-21000-4	SCR, SHC (10-32x.38)SG ADJ BL	81
REF	REF	REF	-	A			3-21000-4	SCR, SHC (10-32x.38)PIVOT BLK	80
-	REF	-	-	B			455749-1	GUARD, WINDOW	79
REF	-	-	-	B			679532-1	INSERT, GUARD	78
1	1	1	-	A			690603-1	SPRING, ASSIST	74
1	1	1	-	A			23030-1	SCR, SHC (6-32x.25 SL)INS DISC	73
REF	REF	REF	-	A			458109-1	WASHER, SPECIAL	72
REF	REF	REF	-	A			690517-1	SPACER	71

- 1 RECOMMENDED SPARE PARTS.
- 2 GREASE LIGHTLY.
- 3 GUARD MUST BE IN PLACE WHEN OPERATING APPLICATOR IN A BENCH MACHINE.
- 4 LUBRICATE DAILY USING NO. 20 MACHINE OIL.
- 5. ITEMS WITH QTY OF REF SPECIFIED (EXCEPT ITEMS 78 AND 79) ARE USED ON ITEM 46.
- 6 WIRE SIZE - INS RANGE - RUBBER PLUG WITH WIRE SEAL
- 7 CUT TO LENGTH AT ASSY
- 8 WITH WIRE SEAL
- 9 APPLY TORQ-SEAL IN ALLEN SOCKET TO FILL HOLE AFTER FLAT HD HAS BEEN ADJUSTED TO HEIGHT AT QUALIFICATION. APPLY #1-23419-5 LOC-TITE TO THREADS OF FLAT HEAD SCREW.

QTY	REQD	PER	ASSY	U/M	DWG	SIZE	PART NO	DESCRIPTION	ITEM
-1								LEADMAKER	
-2								BENCH MODEL K	
-3								BENCH MODEL G	
REF	REF	REF	-	B			22594-8	NUT, HEX (1/2-20)	70
REF	REF	REF	-	B			240628-1	PLATE, ADJUSTMENT	69
REF	REF	REF	-	B			240626-1	SHAFT, PIVOT	68
REF	REF	REF	-	B			240633-1	BUSHING	67
REF	REF	REF	-	A			455680-1	LEVER, INTERMEDIATE	66
REF	REF	REF	-	B			240629-1	BLOCK, PIVOT	65
REF	REF	REF	-	A			240632-2	SCREW, ADJ FEED ROD	64
REF	REF	REF	-	B			240659-3	PIN, CAM ROLLER	63
REF	REF	REF	-	B			240658-1	ROLLER, CAM	62
REF	REF	REF	-	B			454398-2	ROD, FEED	61
REF	REF	REF	-	A			454178-1	GUIDE, FEED ROD	60
REF	REF	REF	-	C			454220-1	CAP, RAM	59
REF	REF	REF	-	D			454485-1	HOUSING	58
1	1	1	-	B			690542-2	PAWL, FEED	56
REF	REF	REF	-	B			240624-1	PIN, FEED FINGER	55
REF	REF	REF	-	B			691499-1	SPRING, FEED FINGER	54
REF	REF	REF	-	B			690541-1	HOLDER, FEED FINGER	53
REF	REF	REF	-	A			455679-1	LEVER, TERMINAL FEED ARM	52
1	1	1	-	A			811242-2	BUMPER, HOLDDOWN	51
1	1	1	-	A			690753-1	SPACER, TONKER	50
1	-	-	-	B			690602-6	CAM, PRE-FEED 1 5/8 ST	49
-	1	-	-	B			690602-5	CAM, PRE-FEED 1 1/8 ST	48
-	-	1	-	B			690501-4	CAM, POST-FEED 1 5/8 ST	47
1	1	1	-	B			459456-1	APPLICATOR, BASIC (SUBASSY)	46
1	1	1	-	A			690191-1	PLUG, NYLON	45
1	1	1	-	C			455673-1	RAM	44
1	1	1	-	A			690125-1	WASHER, LAMINATED	43
1	1	1	-	A			690124-1	WASHER, RAM	42
1	1	1	-	A			7-21002-9	BOLT, CRIMPER (5/16x1.00)	41
1	1	1	-	A			23241-6	BALL, STEEL	40
1	1	1	-	A			690170-1	SPRING, COMPRESSION	39
1	1	1	-	C			1-690142-1	DISC, INSULATION	38
1	1	1	-	D			354777-1	WIRE DISC, PLASTIC	37
1	1	1	-	A			22480-5	WASHER, SPRING	36
1	1	1	-	B			690212-1	POST, RAM	35
1	1	1	-	B			690786-1	SUPPORT, TERMINAL	34
REF	REF	REF	-	D			455675-1	PLATE, BASE	33
1	1	1	-	A			690432-3	SCREW, ADJUSTMENT	32
REF	REF	REF	-	B			455689-1	BLOCK, STRIP GUIDE ADJ	30
1	1	1	-	C			455671-1	PLATE, STRIP GUIDE	29
1	1	1	-	C			2-455888-1	SPACER, FRONT SHEAR DEP	28
2	2	2	-	A			1-22284-0	SPRING, DRAG	27
1	1	1	-	B			690546-1	LEVER, DRAG RELEASE	26
1	1	1	-	B			240792-1	DRAG, TERMINAL	25
1	1	1	-	D			7-690504-6	GUIDE, STRIP (REAR)	24
1	1	1	-	A			690438-1	GUIDE, STRIP (FRONT)	23
-	-	1	-	B			690472-2	STRIPPER	22
REF	REF	REF	-	A			4-22284-9	SPRING, FEED RETURN	21
1	1	1	-	A			679218-1	STRIPPER WIRE STOP ASSY	20
1	1	1	-	B			458949-1	STRIPPER	19
1	1	1	-	B			691667-1	GUARD, CHIP (FRONT)	16
1	1	1	-	C			318701-1	DEPRESSOR, SHEAR (FRONT)	5
1	1	1	-	B			238011-4	SPACER, BLOCK CRIMPER	4
1	1	1	-	C			7-683454-2	CRIMPER, INSULATION	3
1	1	1	-	C			455888-9	SPACER, CRIMPER	2
1	1	1	-	C			2-456407-0	CRIMPER, WIRE	1

REVISION OF EACH ASSY NO (WHEN BLANK, USE DWG REVISION)

QTY	REQD	PER	ASSY	U/M	DWG	SIZE	PART NO	DESCRIPTION	ITEM
-3	-2	-1							

REVISION OF EACH ASSY NO (WHEN BLANK, USE DWG REVISION)

QTY	REQD	PER	ASSY	U/M	DWG	SIZE	PART NO	DESCRIPTION	ITEM
-3	-2	-1							

DIMENSIONS IN INCHES. DO NOT SCALE PRINT. TOLERANCES UNLESS OTHERWISE SPECIFIED.

DR	CHK	APP	REL	DATE
JC BAKER	8/27/94	7/28/94	8/2/94	10/20/94
C. ERISMAN	8/27/94		B. MORGAN	

NAME: SIDE FEED HDM APPLICATOR MACHINE REF: MINI APPL

SCALE: - DWG NO: 680121 SHEET: 1 OF 1 REV: B1

THIS DRAWING IS A CONTROLLED DOCUMENT FOR AMP INCORPORATED. IT IS SUBJECT TO CHANGE AND THE CONTROLLING ENGINEERING ORGANIZATION SHOULD BE CONTACTED FOR THE LATEST REVISION.

THIS INFORMATION IS CONFIDENTIAL AND IS DISCLOSED TO YOU ON CONDITION THAT NO FURTHER DISCLOSURE IS MADE BY YOU TO OTHER THAN AMP PERSONNEL WITHOUT WRITTEN AUTHORIZATION FROM AMP INCORPORATED, HARRISBURG, PA.