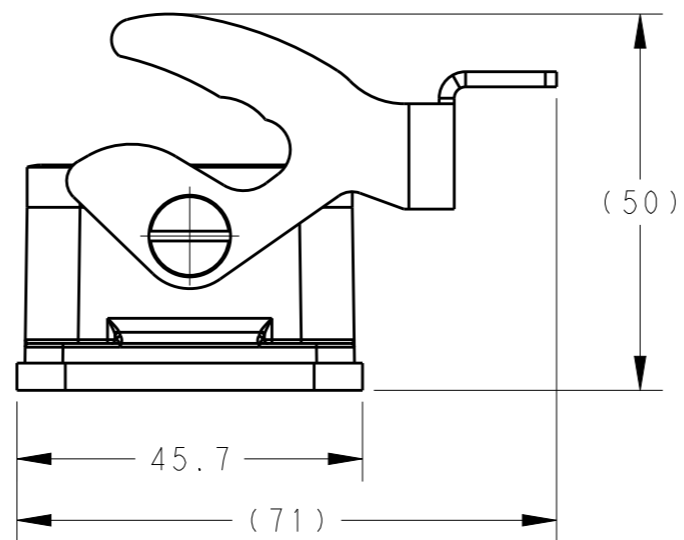
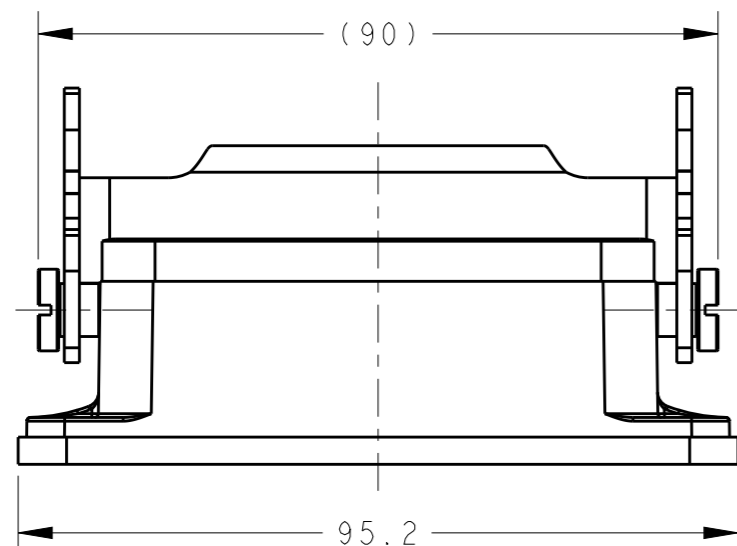


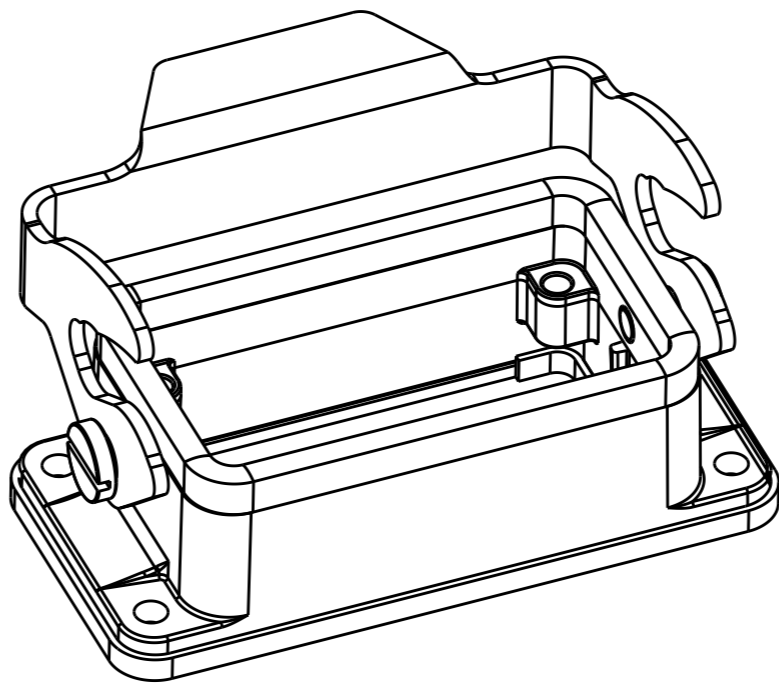
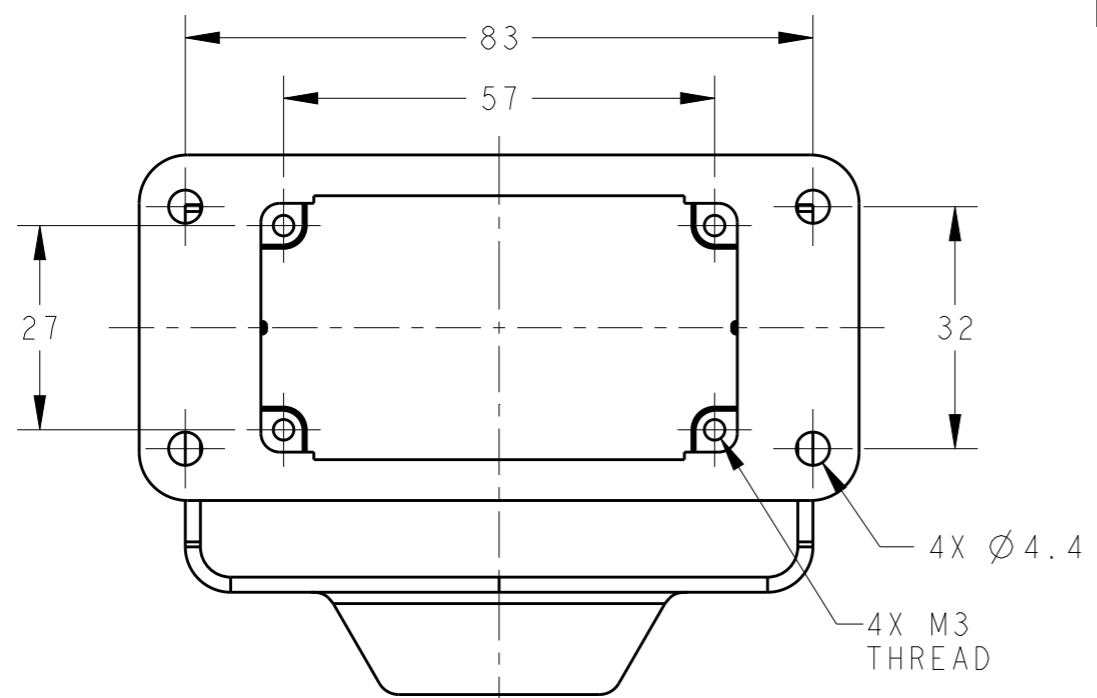
REVISIONS

P	LTR	DESCRIPTION	DATE	DWN	APVD
	A	INITIAL	25JUN2015	DW	CW

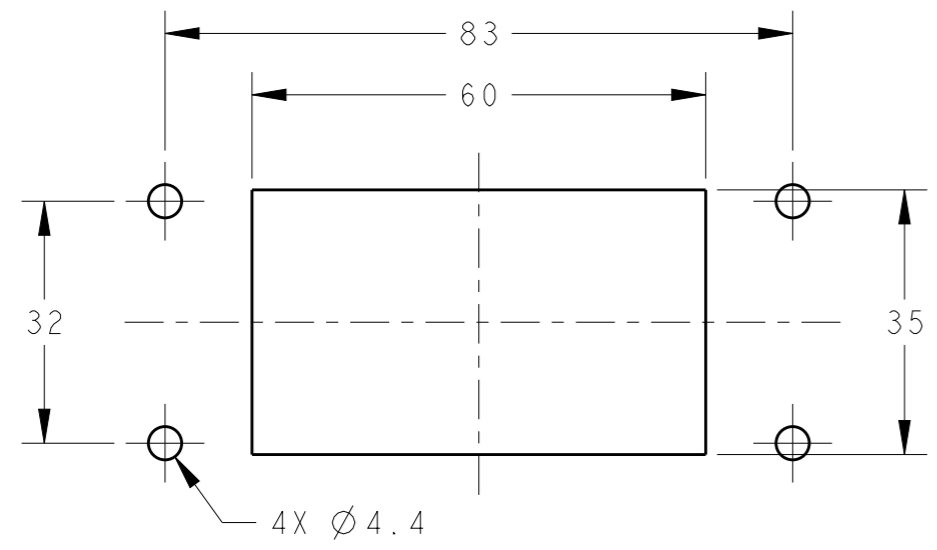


NOTES:
 1. TECHNICAL CHARACTERISTICS:
 HOUSING MATERIAL: DIE CAST ALUMINIUM ALLOY
 SURFACE: POWDER COATED, GREY
 OPERATION TEMPERATURE: -40-+125°C
 DEGREE OF PROTECTION: IP65 (MATED)

注释:
 1. 技术参数:
 下壳材料: 铝合金
 表面处理: 粉末涂层, 灰色
 工作温度: -40-+125°C
 防护等级: IP65(配合)



PANEL CUT OUT



T1500103000-000	H10B-AG-LB
PART NUMBER	DESCRIPTION

THIS DRAWING IS A CONTROLLED DOCUMENT.		DWN 25JUN2015 David Wang	STE TE Connectivity	
DIMENSIONS: mm		CHK 25JUN2015 Chris Wang		
TOLERANCES UNLESS OTHERWISE SPECIFIED:		APVD 25JUN2015 Xiang Xu	NAME H10B-AG-LB	
0 PLC ±-		PRODUCT SPEC 108-137013	SIZE CAGE CODE DRAWING NO RESTRICTED TO	
1 PLC ±-		APPLICATION SPEC 114-137013	A300779 C-T1500103000000 -	
2 PLC ±-		WEIGHT -	SCALE 1:1 SHEET 1 OF 1 REV A	
3 PLC ±-		Customer Drawing		
4 PLC ±-				
ANGLES ±-				
FINISH -				
MATERIAL -				