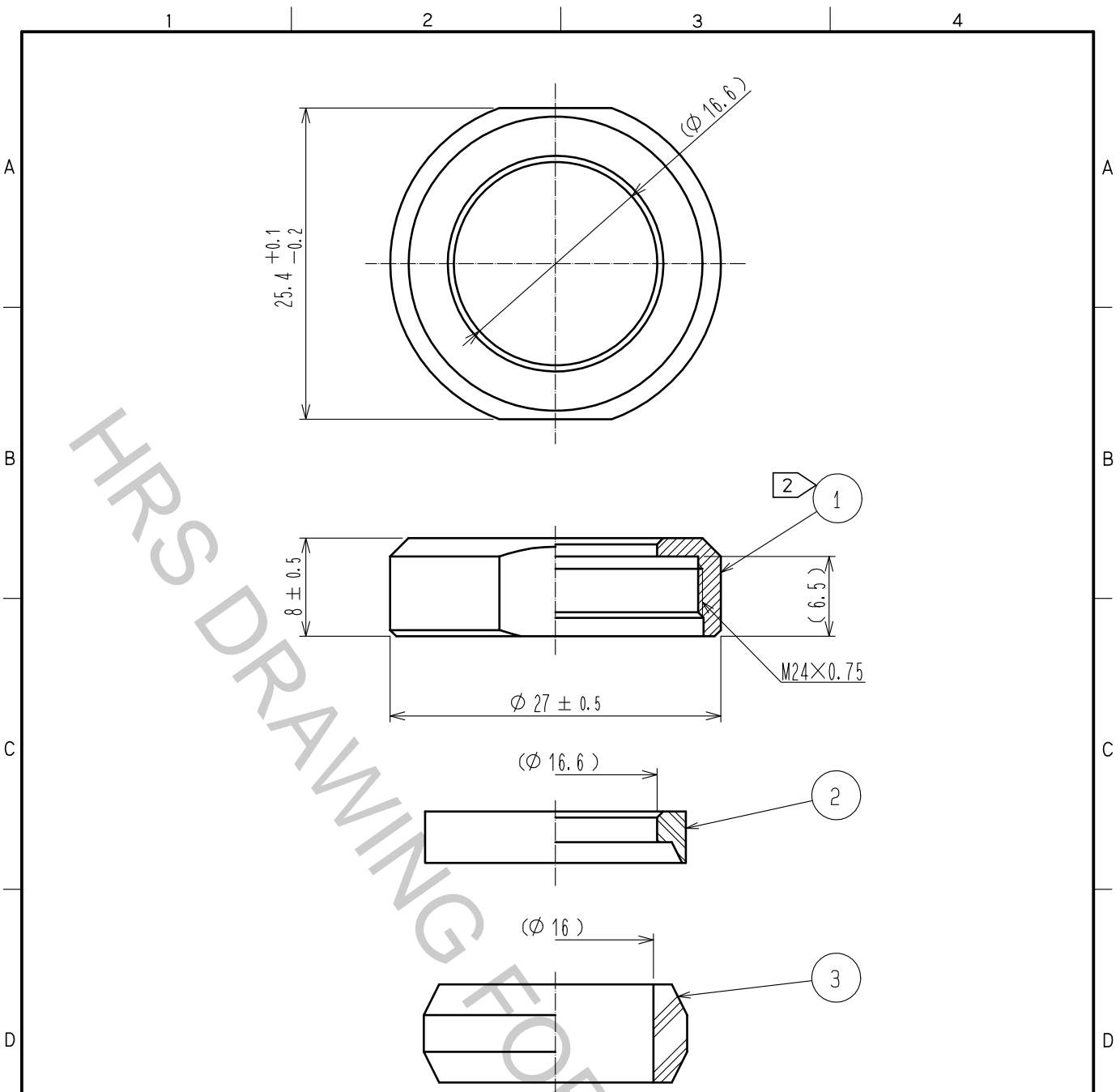


Aug.1.2018 Copyright 2018 HIROSE ELECTRIC CO., LTD. All Rights Reserved.
 In case that the application demands a high level of reliability, such as automotive,
 please contact a company representative for further information.



- Notes
- This product is delivered disassembled.
 - The recommended clamp torque of ref. No. ① : 4 to 4.5 N·m.
 LOCTITE 263, HENKEL JAPAN or equivalent is recommended to prevent ref. No. ① from loosening.
 - The cable pull and twisting strength, waterproof tightness and other characteristics may differ, depending on the cable structure. Please confirm before the use.

| 2 | PPS | (Black) UL94V-0 | | | | |
|---------------------------|----------|-------------------------|-----------|--------------------------------|------------------|------------------|
| 1 | Brass | Black chrome plating | 3 | Acrylonitrile butadiene rubber | (Gray) | |
| NO. | MATERIAL | FINISH . REMARKS | NO. | MATERIAL | FINISH . REMARKS | |
| UNITS mm | | SCALE 2 : 1 | COUNT | DESCRIPTION OF REVISIONS | | DESIGNED |
| HIROSE ELECTRIC CO., LTD. | | APPROVED :HY. KOBAYASHI | 18.02.26 | DRAWING NO. | | EDC-110479-31-00 |
| | | CHECKED :HY. KOBAYASHI | 18.02.26 | PART NO. | | JR21WCCA-16(31) |
| | | DESIGNED :TH. KAMEYA | 18.02.24 | CODE NO. | | CL114-2086-8-31 |
| | | DRAWN :MK. INOUE | 18.02.14 | | | |