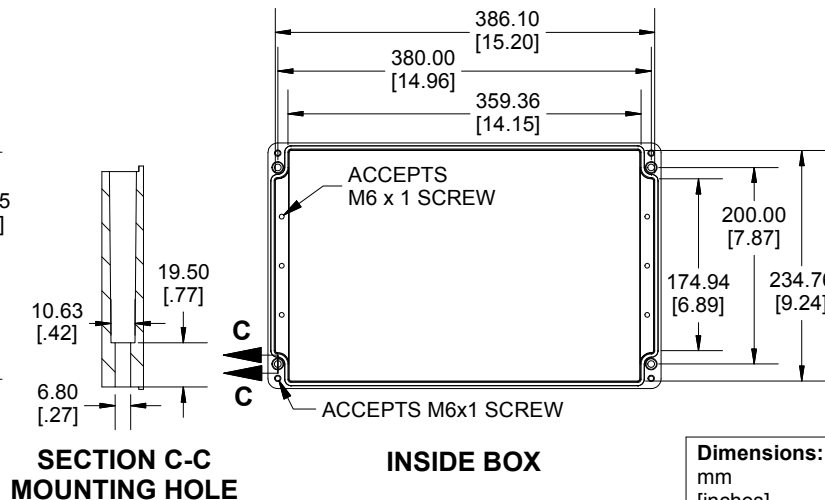
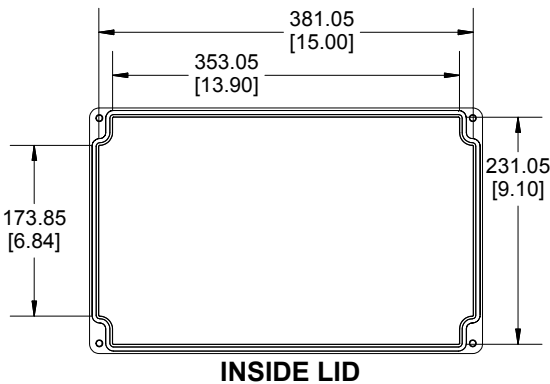


Enclosures can be Factory Modified (Milling, Drilling, Printing etc.)
 Contact Factory mjm@hammondmfg.com for quotes
 Solid models of this enclosure available in STEP or IGES.
 (Part number and text placement/orientation on our products are subject to change,
 we do not recommend using them as a locating reference for modification purposes)

**SECTION A-A
SIDE VIEW**



NOTE	
Purchased assembly includes Box, Lid, Gasket and 4 cover screws	
Enclosure Molded from Glass Reinforced Polyester	
Recommended cover screw torque 8-9.5 lbf.in (90-110 cN.m)	

PART NUMBERS	
1590ZGRP243 Enclosure	
Grey Enclosure	1590ZGRP243GY
ACCESSORIES	
Copper Ground Hardware (20 Pack) [M6 - 1.0 X 6mm / M6 Washer]	SCGM6GRP-20
Stainless Steel Cover Screw (20 Pack) [M6 - 1.0 x 30mm]	SC570-20
Steel Inner Panel	1590ZGRP243PL
Hinge Kit (2 Pack)	1427HK

**HAMMOND
MANUFACTURING**

1590ZGRP243

www.hammondmfg.com

Dimensions:
mm
[inches]