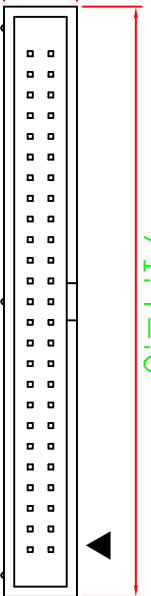
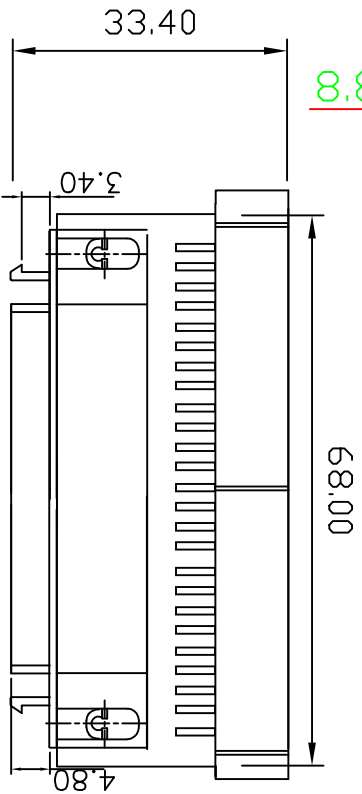


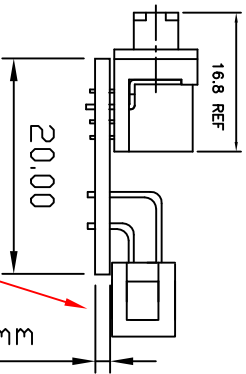
# PIN ASSIGNMENT



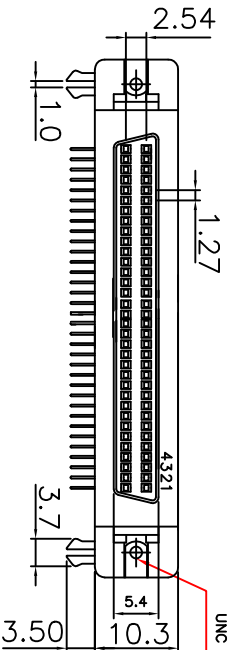
8.8 ± 0.0



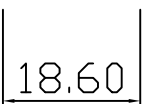
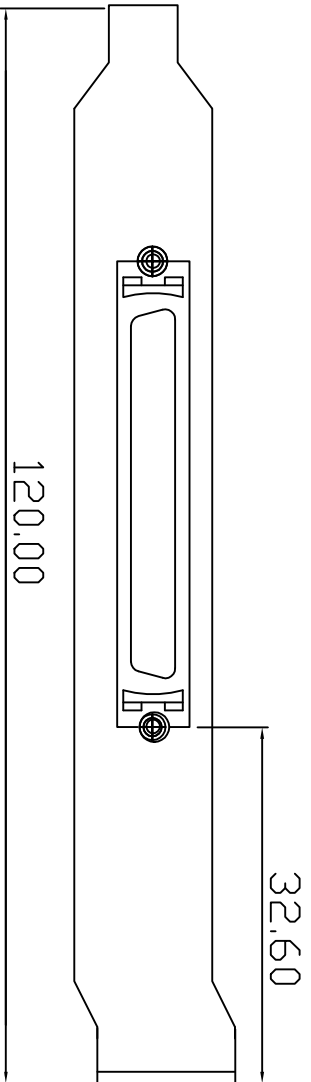
HOLE ON DOWN SIDE



P.C.B 1.6mm



UNC SEE SPEC.



A	B	A	B
1	-	X	35
2	-	X	36
3	-	X	37
4	-	X	38
5	-	X	39
6	-	X	40
7	-	X	41
8	-	X	42
9	-	X	43
10	-	X	44
11	-	X	45
12	-	X	46
13	-	X	47
14	-	X	48
15	-	X	49
16	-	X	50
17	-	X	51
18	-	X	52
19	-	X	53
20	-	X	54
21	-	X	55
22	-	X	56
23	-	X	57
24	-	X	58
25	-	X	59
26	-	X	60
27	-	X	61
28	-	X	62
29	-	X	63
30	-	X	64
31	-	X	65
32	-	X	66
33	-	X	67
34	-	X	68

UNLESS OTHERWISE SPECIFIED TOLERANCE

ANG. ±0.5  
F0.3  
0  
F0.3  
.00  
±0.2

SCALE: 1:1 UNIT: mm

DRAWN MICHAEL 02/16/00

CHECKED / /

APPROVED / /

Assmann Electronic GmbH

DRAWN NAME: 150D11-BL

PRODUCT NO. AB 841

FILE NAME: 150D11-BL

REV.	A	150D11-BL	SLOT	CARD	DESCRIPTION	DATE
					CARD HPD68PIN FEMALE W/BRACKET TO BOX HEADERSO MALE	02/16/00