

LOC	DIST	REV	DATE	BY	CHK	APPV
IR	-	A	12AUG2012	SS	RRP	

1. MATERIAL:  
 HOUSING - HIGH TEMP THERMOPLASTIC - LCP, BLACK, UL94V-0  
 TERMINALS - 0.30 THICK PHOS BRONZE PLATED WITH 3.81µm MINIMUM THICK MATTE TIN IN SOLDER AREA. 1.27µm MINIMUM GOLD IN LOCALIZED PLATE AREA. ENTIRE TERMINAL PLATED WITH 1.27µm MINIMUM THICK NICKEL.  
 SHIELD - 0.196 THICK COPPER ZINC ALLOY PREPLATED WITH 2.03µm-3.81µm THICK MATTE TIN OVER 1.27µm THICK NICKEL.  
 LIGHT EMITTING DIODE (LED) -- DIFFUSED EPOXY  
 LENS, 0.51 X 0.51 (.020 X .020) CARBON STEEL  
 WIREFRAME LEADS PREPLATED WITH 8.89 µm [.000080] THICK Ag OVER 1.02 µm [.000040] THICK Cu OVER 3.56 µm [.000140] THICK Ni OVER 1.02 µm [.000040] Cu UNDERPLATE.

2. JACK CAVITY CONFORMS TO FCC RULES AND REGULATIONS PART 68, SUBPART F

3. SUGGESTED PANEL OPENING DIMENSIONS. SEE APPLICATION SPEC 114-2154 FOR PANEL THICKNESS AND POSITION RECOMMENDATIONS

4. SUGGESTED CLEARANCE BETWEEN TOP OF CONNECTOR AND TOP PANEL OPENING

5. PACKAGED: POCKET TAPE & REEL (PER EAI 481 SPECIFICATIONS)

POCKET TAPE WIDTH - 44mm  
 POCKET PITCH - 24mm  
 POCKET DEPTH - 16.7mm

CLEAR COVER TAPE, PSA  
 CLEAR COVER TAPE TRAILER - 610mm, WRAPPED ON REEL HUB

PLASTIC REEL - 381mm DIAMETER

PRODUCT QUANTITY - 200 PIECES PER REEL

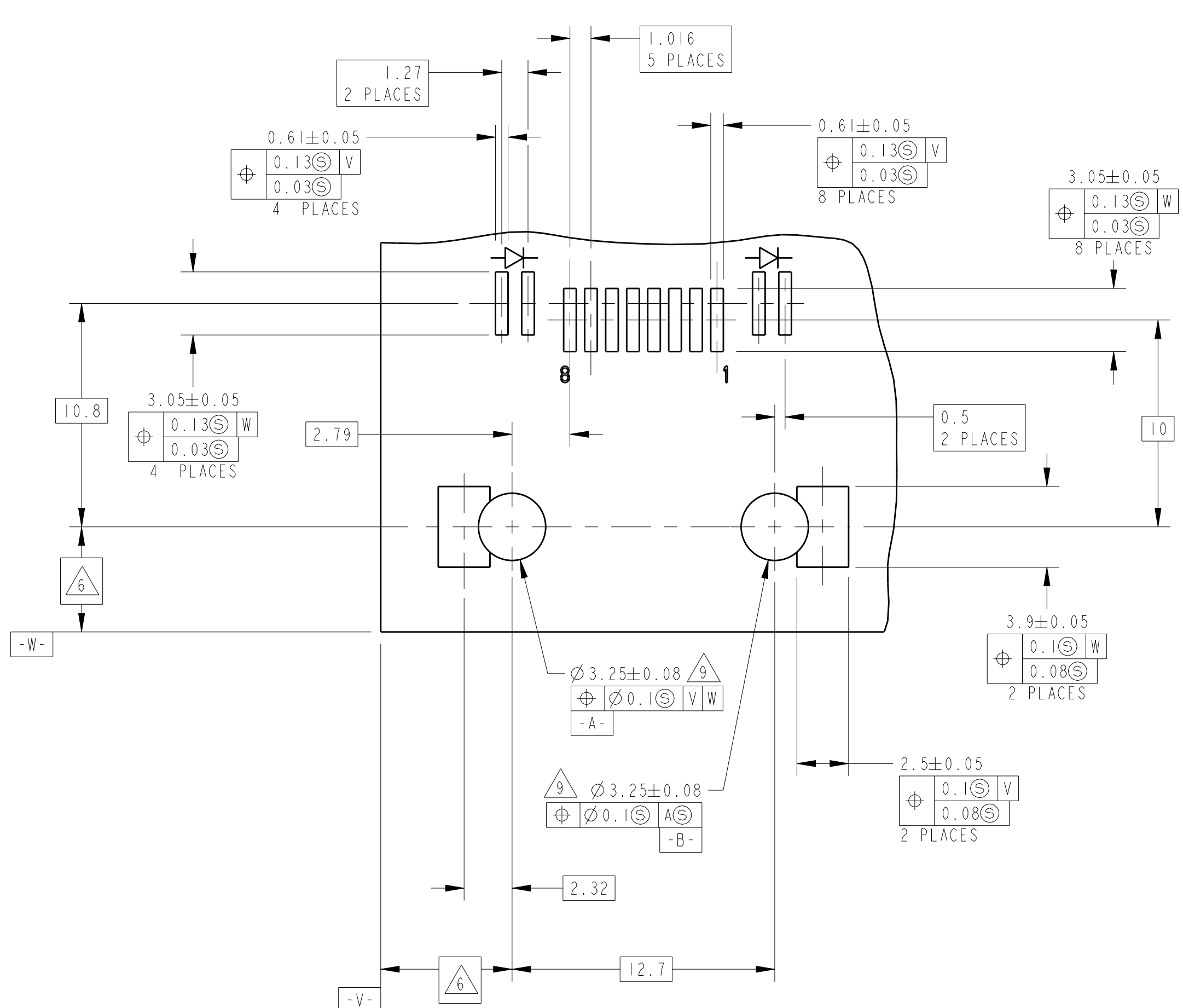
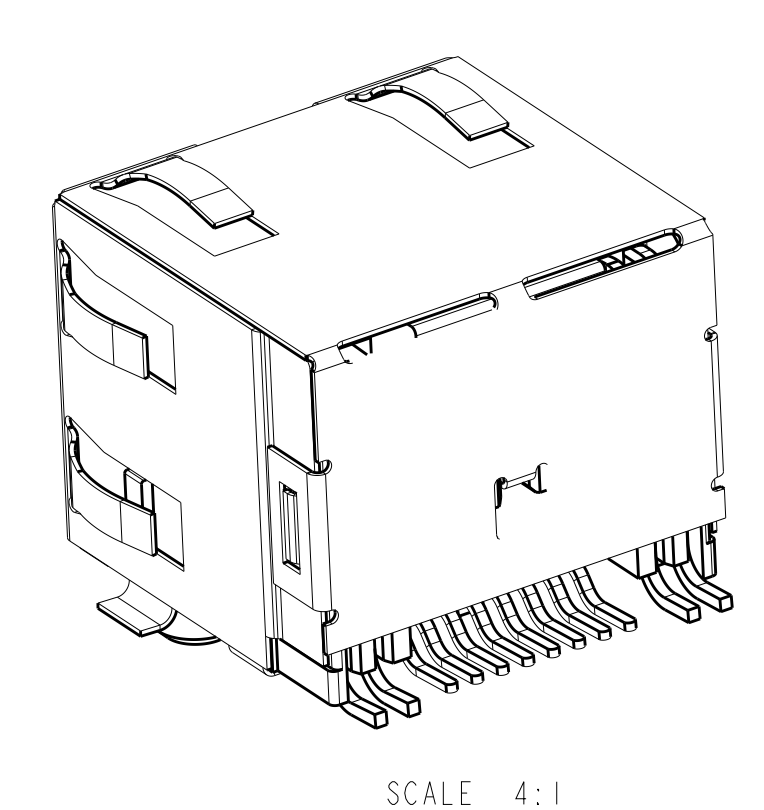
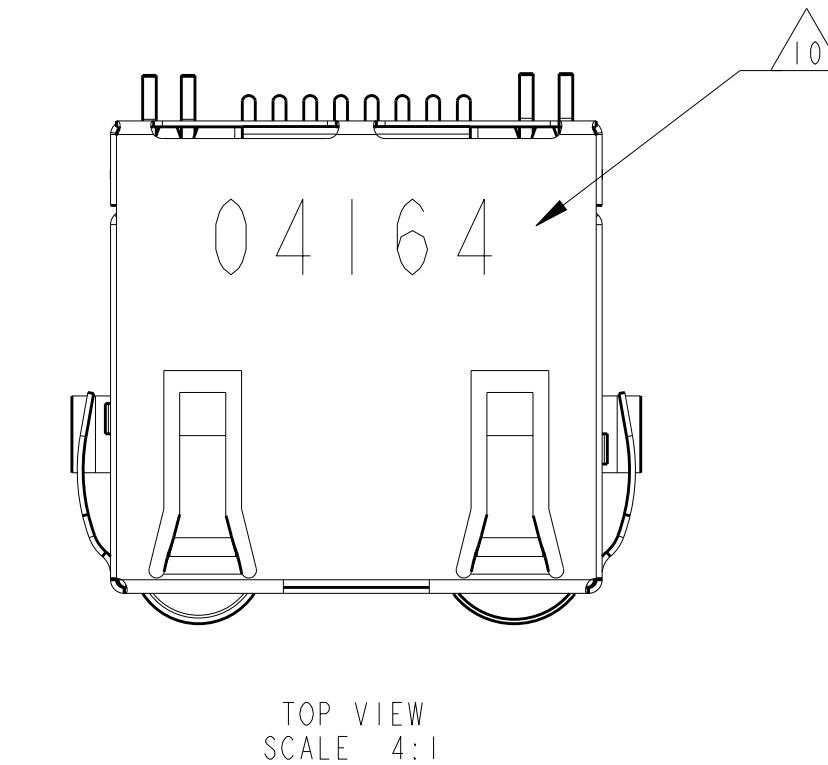
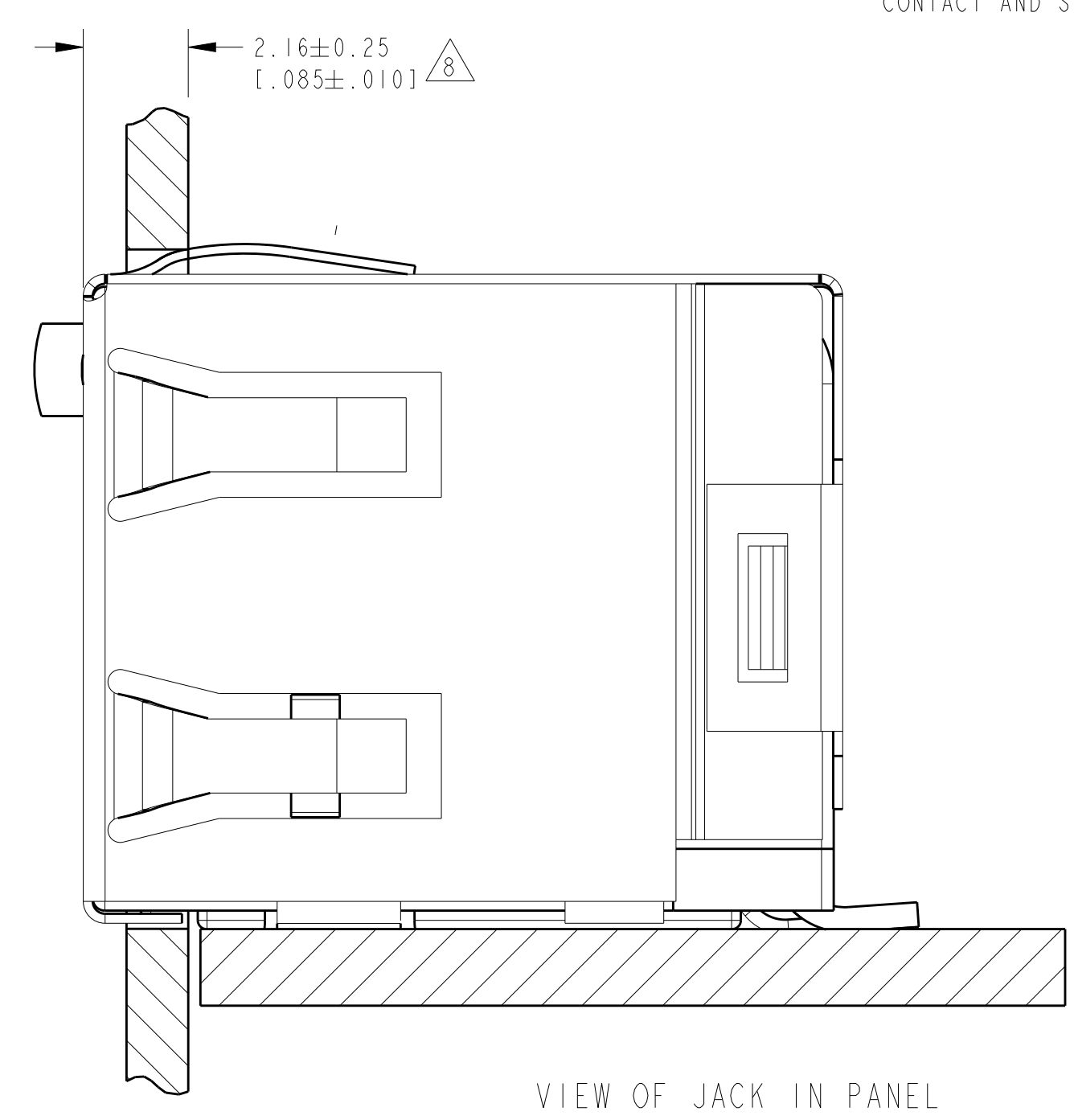
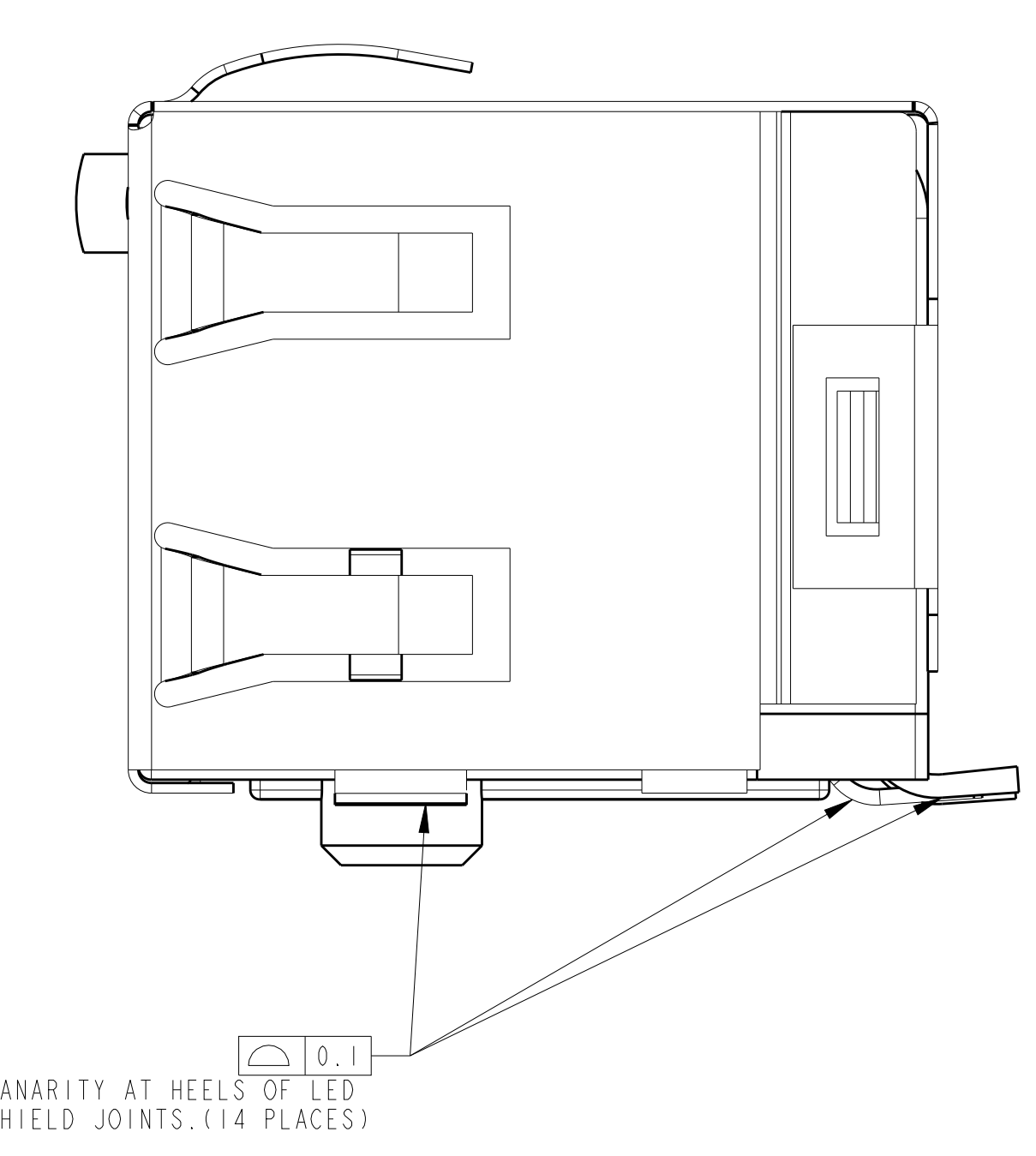
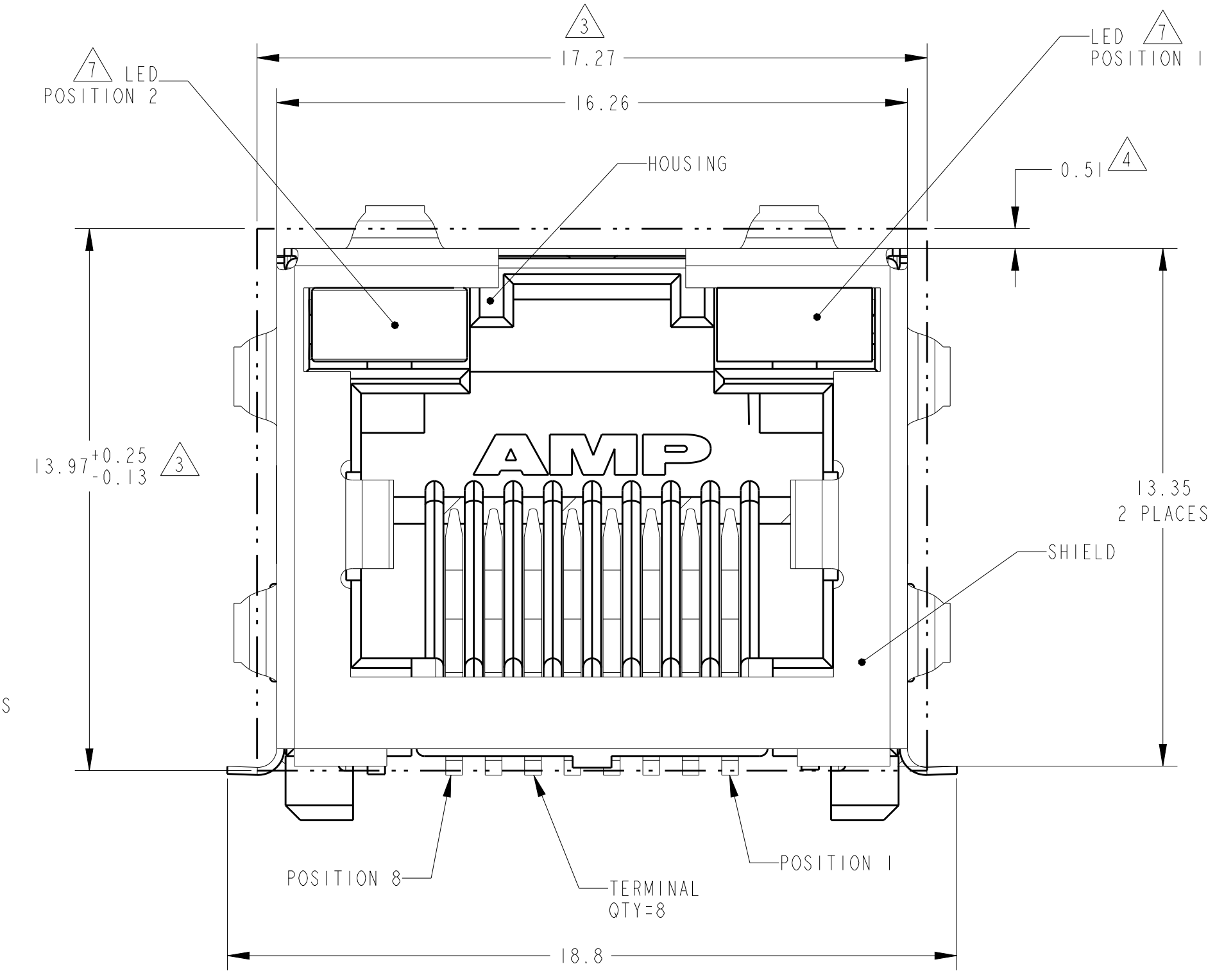
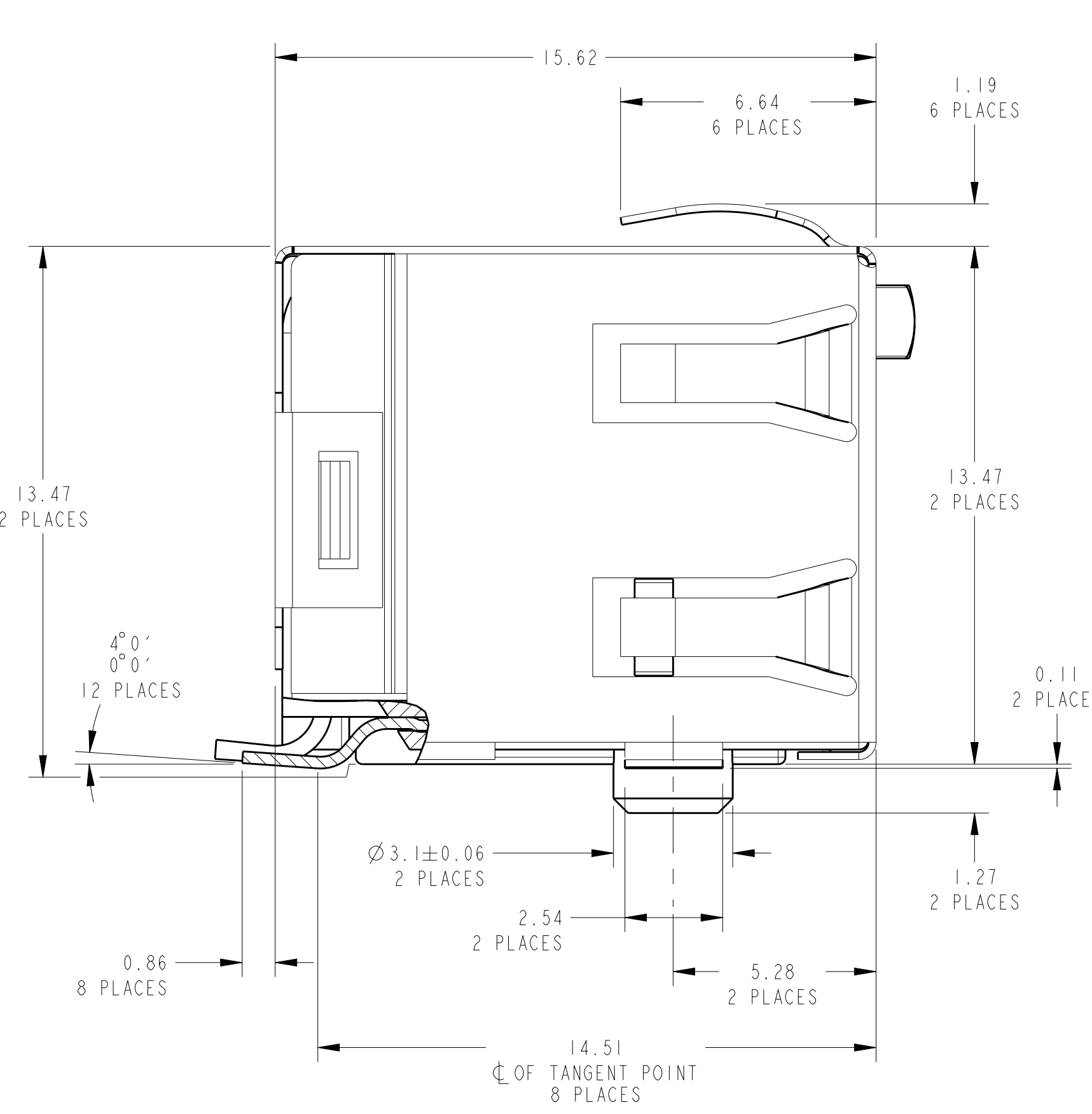
6. DATUM ESTABLISHED BY CUSTOMER

7. SEE TABLE FOR COLOR OF LEDS AND NUMBER REQUIRED

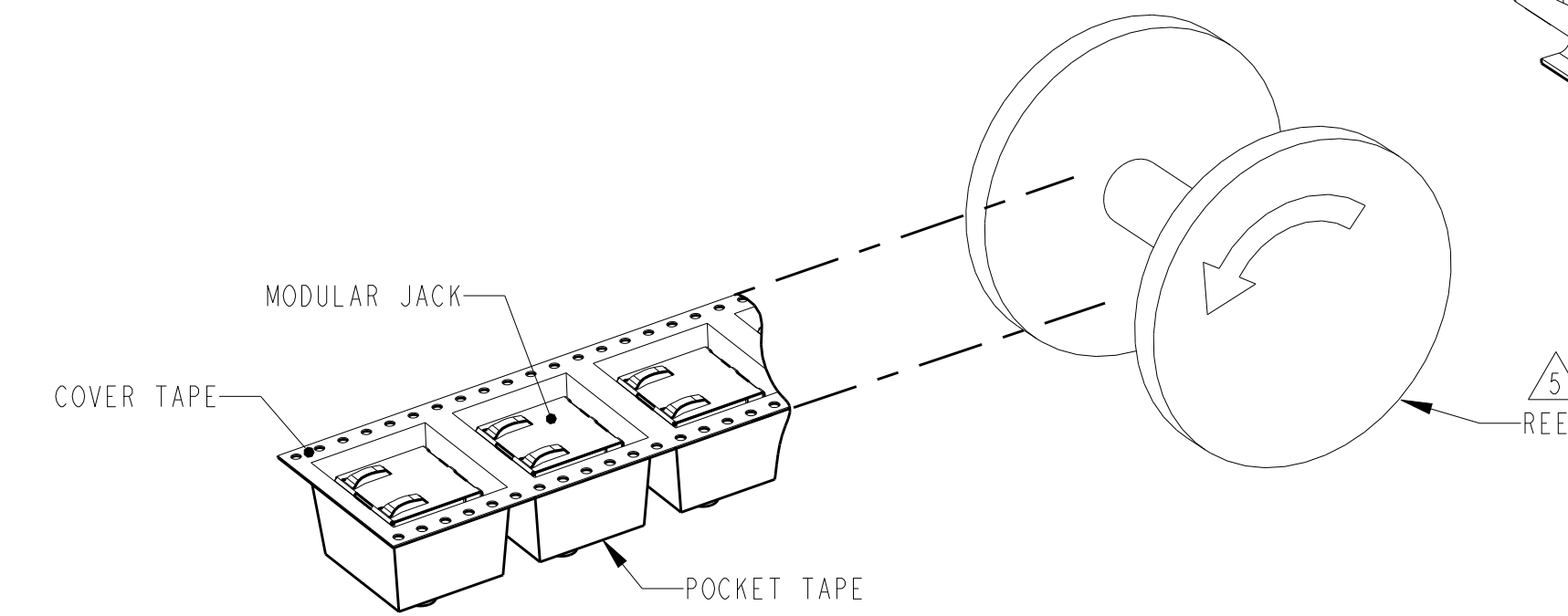
8. CONNECTOR SHOULD BE POSITIONED THRU PANEL CUTOUT AS SHOWN TO SUPPORT TOP OF MODULAR JACK FOR STRAIN RELIEF

9. ZERO INSERTION FORCE POST WITH RECOMMENDED PCB LAYOUT

10. MANUFACTURING DATECODE LOCATED APPROX AS SHOWN  
 FIRST 2 DIGITS ARE YEAR, SECOND 2 DIGITS ARE WORK WEEK, LAST DIGIT IS THE DAY OF WEEK



SUGGESTED PCB LAYOUT (COMPONENT SIDE)



THIS DRAWING IS A CONTROLLED DOCUMENT.		OWN: SUDHAKAR 12AUG2012	2178416-1
DIMENSIONS: mm		CHK: SUDHAKAR 12AUG2012	GREEN GREEN
TOLERANCES UNLESS OTHERWISE SPECIFIED:		APPV: RAJENDRA 12AUG2012	POSITION 2 POSITION 1
0 PLC ±	1 PLC ±0.25	NAME: INVERTED MODULAR JACK ASSEMBLY, 1x1, SHIELDED, SURFACE MOUNT, 8 POSITION, RJ45, WITH TWO LED'S	PART NUMBER
2 PLC ±	3 PLC ±	PRODUCT SPEC: 108-1163-7	
4 PLC ±	ANGLES ±	APPLICATION SPEC: 114-6040/114-2154	
MATERIAL: SEE NOTE 1	FINISH: SEE NOTE 1	SIZE: A1	00779 ©=2178416
Customer Drawing		SCALE: 8:1	SHEET 1 OF 1 REV A