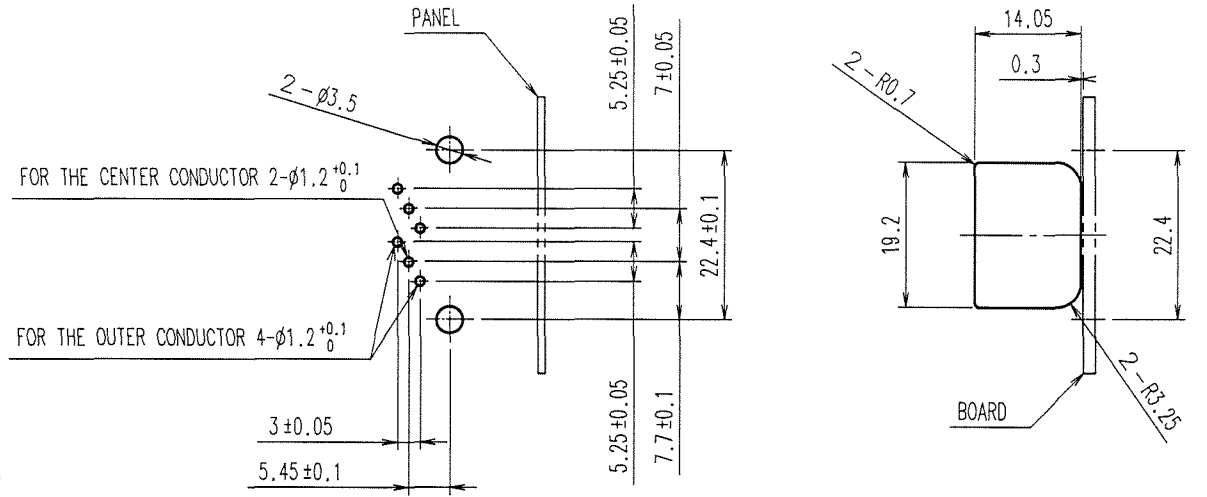
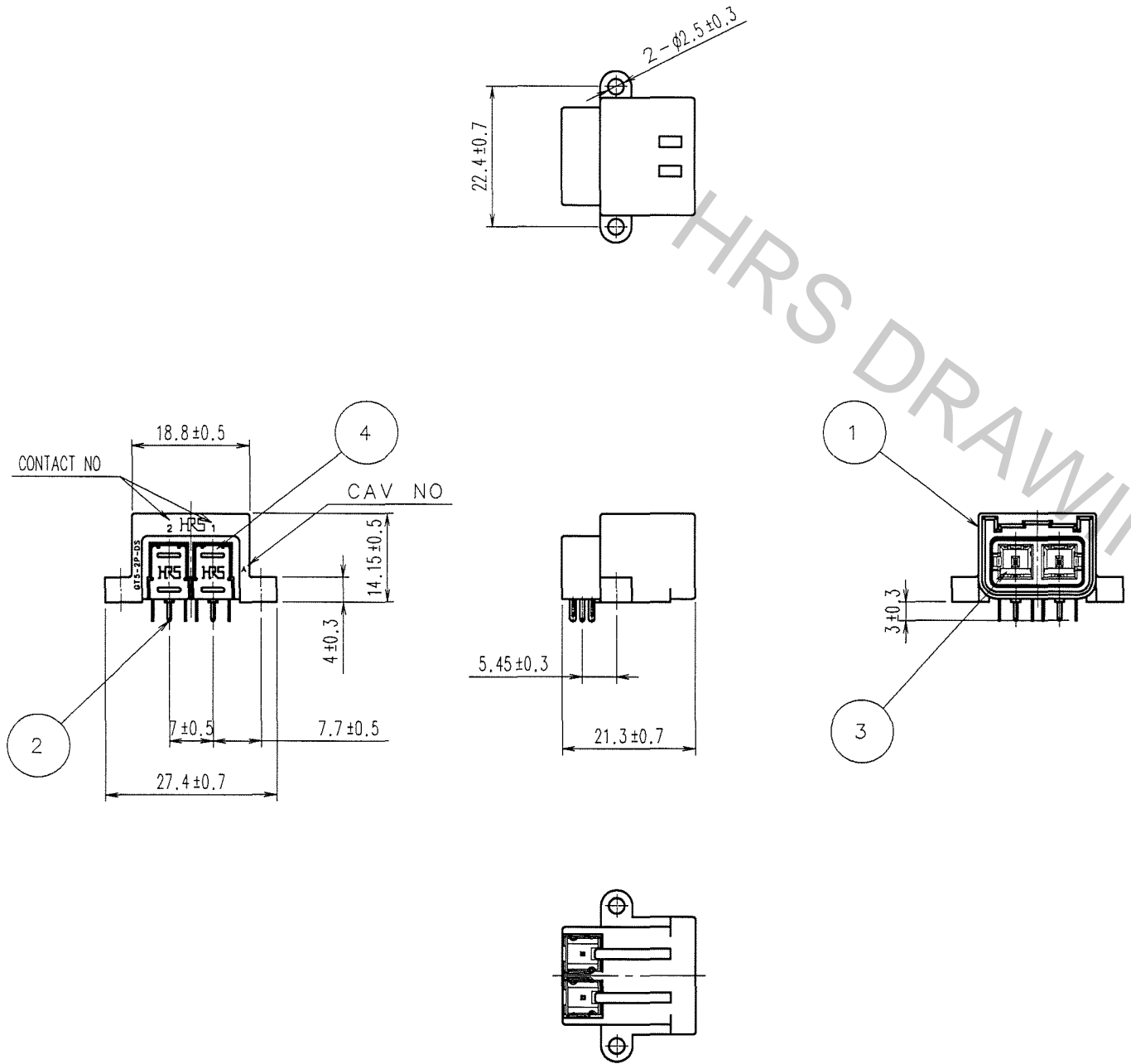
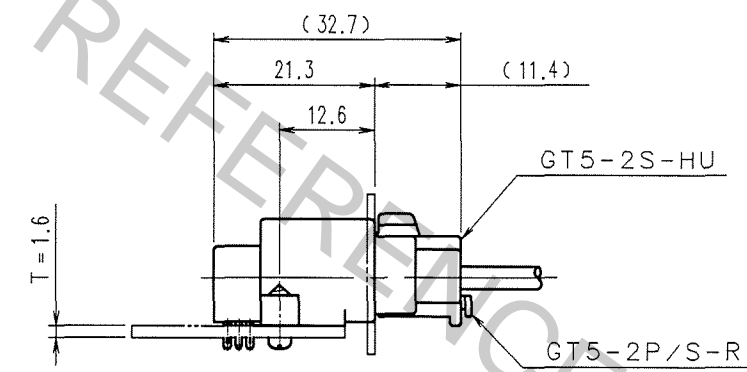


COUNT	DESCRIPTION OF REVISIONS	BY	CHKD	DATE	COUNT	DESCRIPTION OF REVISIONS	BY	CHKD	DATE
△				..	△				..
△				..	△				..
△				..	△				..

ELV. RoHS COMPLIANT



RECOMMENDED PC BOARD HOLE PATTERN RECOMMENDED PANEL CUTOUT



MATED CONNECTORS

2	BRASS	TIN PLATED	4	PHOSPHOR BRONZE	TIN PLATED
1	PBT	UL94HB LIGHT GRAY	3	PBT	UL94V-0 DARK GRAY
NO.	MATERIAL	FINISH, REMARKS	NO.	MATERIAL	FINISH, REMARKS

NOTE 1. DEPENDING ON THE CIRCUMSTANCES, RECESS OF WELDING SHALL BE ADDED TO MOLD TO PREVENT SINKAGE.  
 2. FIXING SCREW SHALL BE IN ACCORDANCE WITH ISO 1481 AND 7049, NOMINAL DIAMETER 3.

CODE NO. (OLD)	DRAWN	DESIGNED	CHECKED	APPROVED	RELEASED
	T. KUBOTA	T. IKEDA	K. Aoto	K. Aoto	
	'06. 1.12	'98. 11.25	06. 1. 13	06. 1. 13	..

SCALE	DRAWING NO.	PART NO.
1 : 1	EDC3-165326-01	GT5-2P-DS(70)
UNITS	mm	CODE NO.
	HRS HIROSE ELECTRIC CO., LTD	CL755-0043-9-70

TO  
AMC

