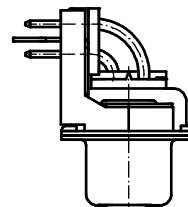
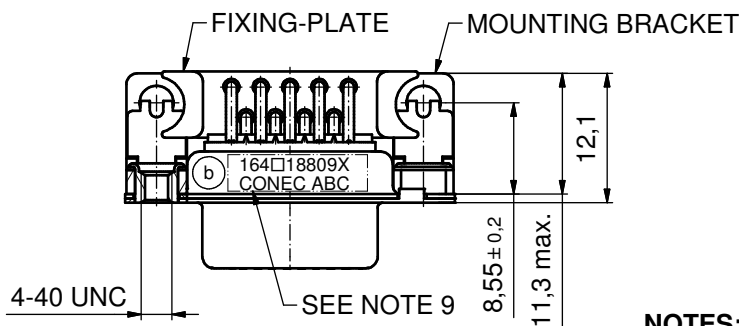
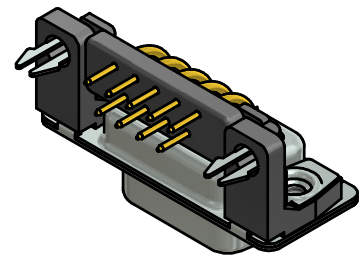
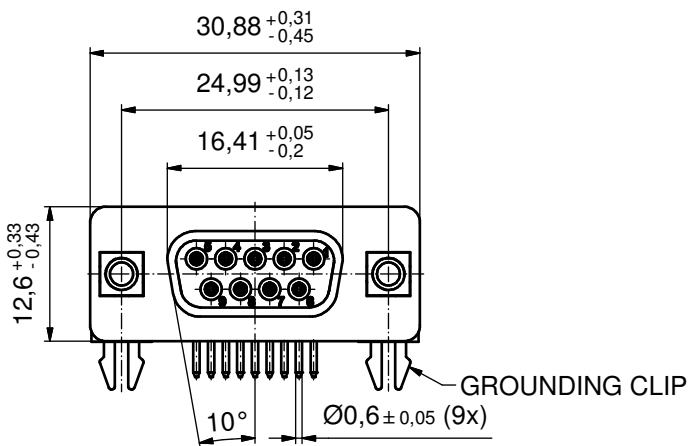
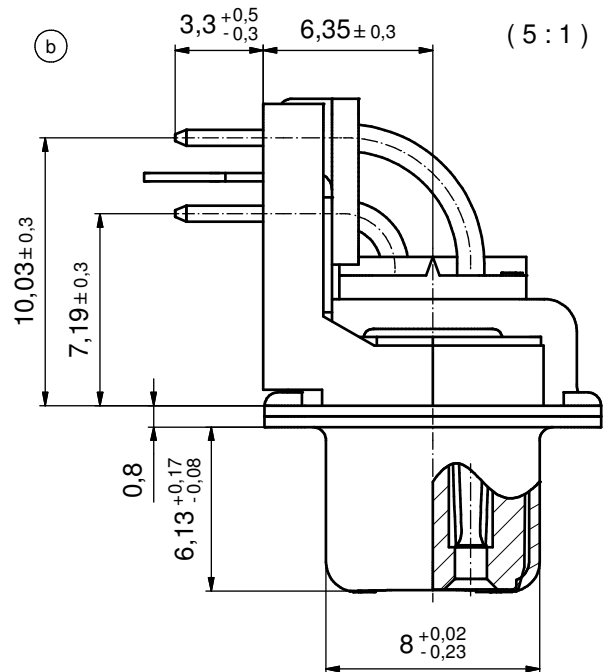


P.C.B. HOLE DRILLINGS  
(P.C.B. TOP SIDE)



**NOTES:**

1. METALSHELLS: STEEL; min. 315µin TIN over 40-80µin NICKEL
2. INSULATORS: PBT GF UL 94 V-0, BLACK
3. SIGNAL CONTACTS: COPPER ALLOY; PLATING (SEE PART NO.):  
 PLEASE ADD A for GOLD FLASH over NICKEL (PREFERRED TYPE)  
 PLEASE ADD B for 20µin HARD GOLD over min. 50µin NICKEL  
 PLEASE ADD C for 30µin HARD GOLD over min. 50µin NICKEL
4. MOUNTING BRACKETS: PBT GF UL 94 V-0; BLACK
5. THREADED INSERTS: COPPER ALLOY; min. 200µin TIN over 80µin NICKEL
6. GROUNDING-CLIPS: COPPER ALLOY; min. 200µin TIN over 80µin NICKEL  
 PCB-HOLE: Ø3.1±0.1; PCB THICKNESS 1.6mm
7. FIXING-PLATE: PBT GF UL 94 V-0, BLACK
8. MAXIMUM TORQUE VALUE FOR THREAD: 6 in.LB
9. CONNECTOR IS PART MARKED: 164□18809X CONEC ABC (see note 3)

Directive 2002/95/EC RoHS compliant

THIS DRAWING MAY NOT BE COPIED OR REPRODUCED IN ANY WAY, AND MAY NOT BE PASSED ON TO A THIRD PARTY WITHOUT WRITTEN PERMISSION. OWNERSHIP AND COPYRIGHT OF CONEC GmbH DO NOT ALTER CAD DRAWING BY HAND	tolerance		dim. in mm		scale: 2:1 (5:1)
					material: SEE NOTES
	date	name		title:	
	drawn 25.02.05	Lehmenkühler		<b>D-SUB FEMALE 90°</b> 9pos. SOLDER PIN ANGLED 0,318inch threaded insert,mounting bracket,grounding clip,fixing-plate	
	appd. 25.02.05	Mickenbecker			
norm					
d-old 16K1A1335/16K2A1335			dwg no:		DIN-A3
5 x b	Ä5017	10.12.2013	K.H.		
a	Original				
rev.	description	date	name	part no: (b) 164□18809X (see note 3)	