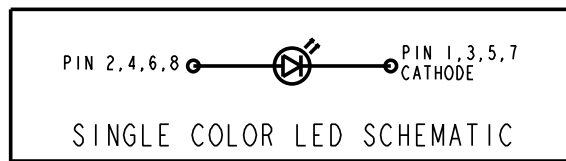


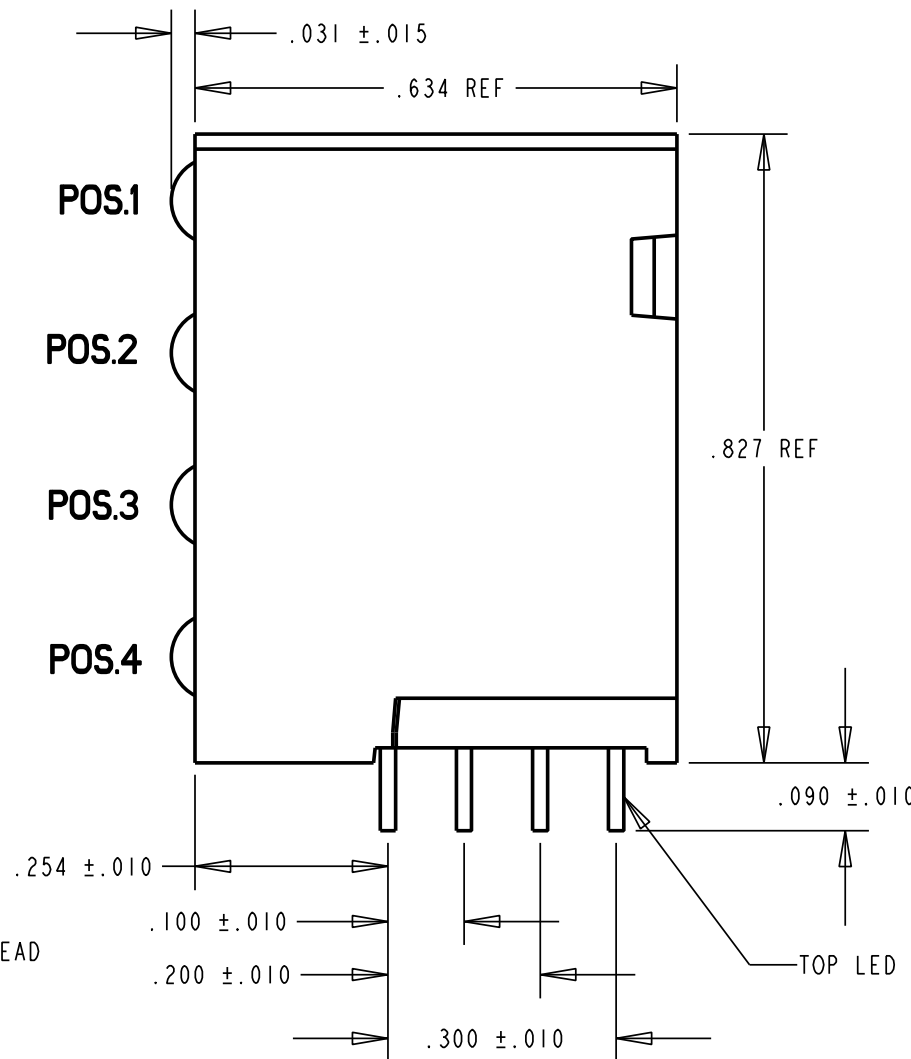
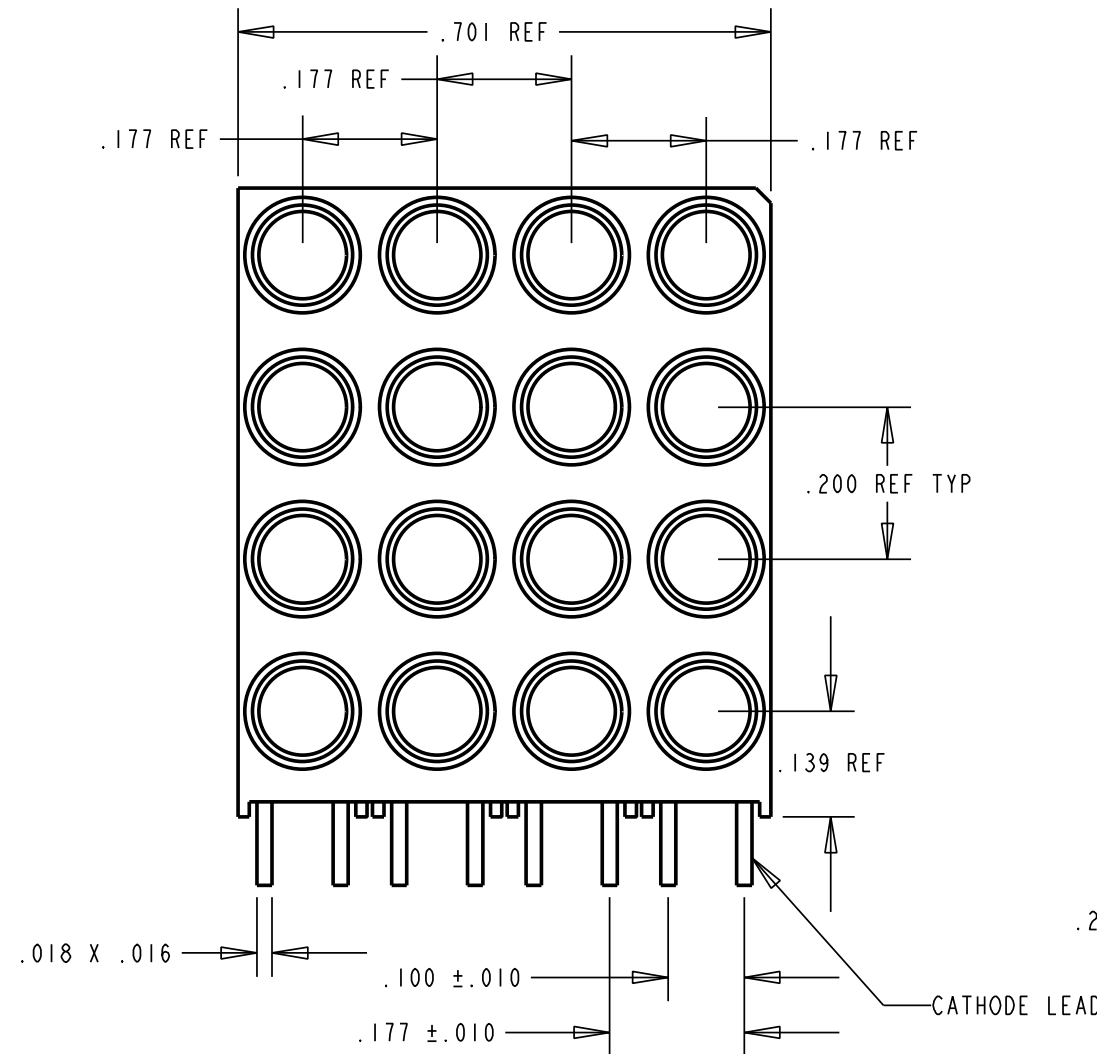
| PART NUMBER    | POSITION 1      | POSITION 2      | POSITION 3      | POSITION 4      |
|----------------|-----------------|-----------------|-----------------|-----------------|
| 568-0141-1114F | RED DIFFUSED    | RED DIFFUSED    | RED DIFFUSED    | RED DIFFUSED    |
| 568-0142-2224F | GREEN DIFFUSED  | GREEN DIFFUSED  | GREEN DIFFUSED  | GREEN DIFFUSED  |
| 568-0142-3124F | GREEN DIFFUSED  | YELLOW DIFFUSED | RED DIFFUSED    | GREEN DIFFUSED  |
| 568-0143-3334F | YELLOW DIFFUSED | YELLOW DIFFUSED | YELLOW DIFFUSED | YELLOW DIFFUSED |



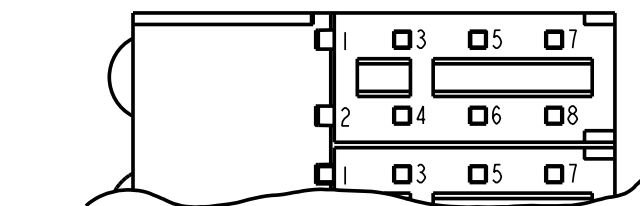
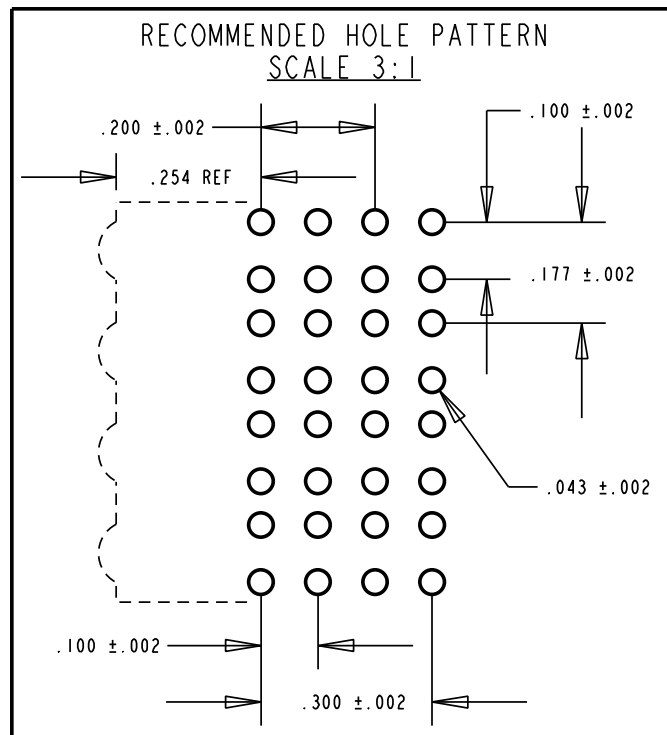
| REV | ECN NO | REVISIONS   | DRN | CKD | APP | DATE |
|-----|--------|-------------|-----|-----|-----|------|
| A   |        | NEW RELEASE | TWC |     |     |      |

NOTES:

- 1- LEADS TO FIT INTO HOLES SPACED AS PER HOLE PATTERN
- 2- LEADS TO BE FREE OF DEFORMATION AFTER BENDING AND CUTTING
- 3- PIN NUMBERS FOR REFERENCE ONLY, DESIGNATION NON-EXISTENT ON PART
- 4- LED LEAD DIMENSIONS SHOWN ARE MEASURED AT HOUSING EXIT
- 5- PACKAGING =  
BLOCKS ARE PLACED IN CLEAR ANTISTATIC TRAY  
80 BLOCKS PER TRAY
- 6- DIALIGHT PART NUMBER: 568-014X-XXX4F
- 7- THIS ASSEMBLY CONTAINS ELECTROSTATIC DISCHARGE SENSITIVE DEVICES (ESDS). MAINTAIN ALL PRECAUTIONARY MEASURES DURING ASSEMBLY, HANDLING AND STORAGE IN ACCORDANCE WITH IPC-A-610.



| OPERATING CHARACTERISTICS AT 25°C AMBIENT |           |     |      |     |        |                           |
|---|-----------|-----|------|-----|--------|---------------------------|
| CHARACTERISTICS                           | LED COLOR | MIN | TYP  | MAX | UNITS  | TEST CONDITIONS           |
| LUMINOUS INTENSITY                        | RED       | 7.4 | 10.0 |     | mcd    | I <sub>f</sub> = 10 mA    |
|   | GREEN     | 4.7 | 12.6 |     |        |                           |
|   | YELLOW    | 7.4 | 10.0 |     |        |                           |
| FORWARD VOLTAGE                           | RED       |     | 2.0  | 2.8 | V      | I <sub>f</sub> = 20 mA    |
|   | GREEN     |     | 2.1  | 2.8 |        |                           |
|   | YELLOW    |     | 2.1  | 2.8 |        |                           |
| REVERSE CURRENT                           | ALL       |     | 100  |     | μA     | V <sub>r</sub> = 5 V      |
| PEAK WAVELENGTH                           | RED       |     | 635  |     | nm     |                           |
|   | GREEN     |     | 565  |     |        |                           |
|   | YELLOW    |     | 585  |     |        |                           |
| VIEWING ANGLE                             | ALL       |     | 60   |     | Degree |                           |
| CAPACITANCE                               | RED       |     | 20   |     | pf     | V <sub>f</sub> =0, f=1MHz |
|   | GREEN     |     | 35   |     |        |                           |
|   | YELLOW    |     | 15   |     |        |                           |



**ATTENTION:**  
OBSERVE PRECAUTIONS FOR  
HANDLING ELECTROSTATIC  
SENSITIVE DEVICES

RoHS Compliant 568-014X-XXX4F  
Part Numbers with the "F" suffix ending are RoHS Compliant.  
Example: 568-0142-3124F  
Packaging is marked with "RoHS Compliant" label or equivalent markings.  
Parts can be wave soldered, dip soldered or hand soldered using typical lead-free soldering process with max 260°C temp. for 5 sec.

| ABSOLUTE MAXIMUM RATING AT 25°C AMBIENT                    |       |             |             |             |
|--|-------|-------------|-------------|-------------|
|  | UNITS | RED         | GREEN       | YELLOW      |
| POWER DISSIPATION  | mW    | 100         | 100         | 60          |
| DERATE LINEARLY FROM 50°C                                  | mA/°C | 0.4         | 0.4         | 0.25        |
| CONTINUOUS FORWARD CURRENT                                 | mA    | 30          | 30          | 20          |
| PEAK FORWARD CURRENT (1/10 DUTY CYCLE, 0.1 ms PULSE WIDTH) | mA    | 120         | 120         | 80          |
| LEAD SOLDERING TEMPERATURE, 5 SEC., 1/16" FROM BODY        | °C    | 260         | 260         | 260         |
| OPERATING TEMPERATURE                                      | °C    | -55 TO +100 | -55 TO +100 | -55 TO +100 |
| STORAGE TEMPERATURE  | °C    | -55 TO +100 | -55 TO +100 | -55 TO +100 |

THIS DRAWING AND THE CONTENTS HEREIN ARE CONFIDENTIAL AND THE SOLE PROPERTY OF DIALIGHT. REPRODUCTION OF THIS DRAWING OR CONSTRUCTION OF ANY PARTS WITHIN THIS DRAWING ARE FORBIDDEN WITHOUT THE WRITTEN CONSENT OF DIALIGHT.

|   |  |          |
|---|--|----------|
| SCALE: DRAWING SCALE<br>ALL DIM'S IN: INCHES (MM)   | DRAWING NUMBER<br>C-17369                                | REV<br>A |
| TOLERANCES:<br>UNLESS OTHERWISE SPECIFIED   | TITLE<br>4X4 CBI ARRAY BLOCK<br>RoHS COMPLIANT           |          |
| FRACTIONS: ±1/64<br>DECIMALS (.XX): ±.01<br>DECIMALS (.XXX): ±.005<br>DECIMALS (.XXXX): ±.0005<br>ANGLES: ±1° | MATERIAL   |          |
| FINISH:   | Dialight<br>1501 ROUTE 34 SOUTH<br>FARMINGDALE, NJ 07727 |          |
| FSCM 83330  | SHEET 1 OF 1 FAMILY TABLE:                               |          |