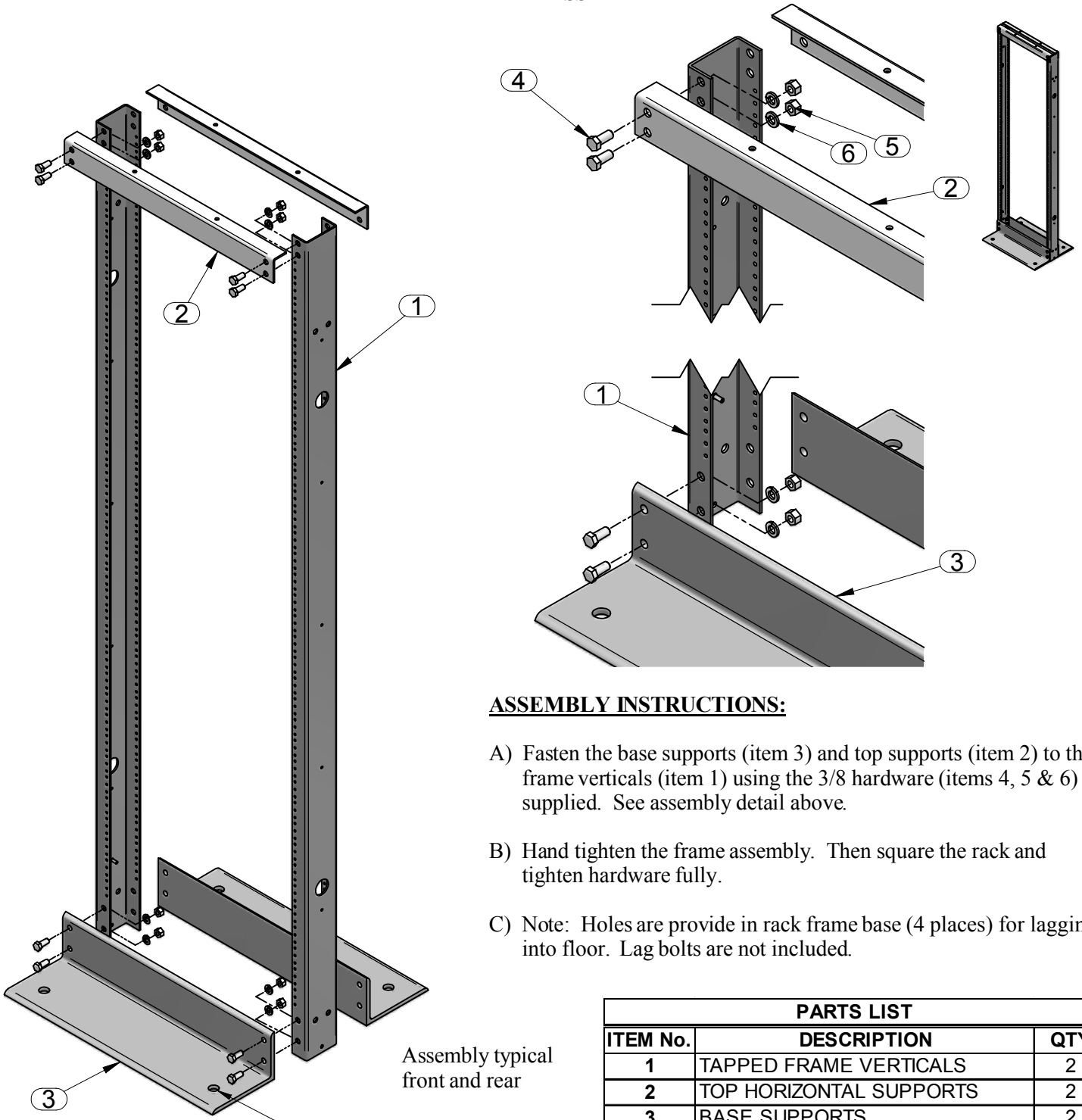


ASSEMBLY DETAIL



ASSEMBLY INSTRUCTIONS:

- A) Fasten the base supports (item 3) and top supports (item 2) to the frame verticals (item 1) using the 3/8 hardware (items 4, 5 & 6) supplied. See assembly detail above.
- B) Hand tighten the frame assembly. Then square the rack and tighten hardware fully.
- C) Note: Holes are provide in rack frame base (4 places) for lagging into floor. Lag bolts are not included.

PARTS LIST

| ITEM No. | DESCRIPTION | QTY |
|----------|-------------------------|-----|
| 1 | TAPPED FRAME VERTICALS | 2 |
| 2 | TOP HORIZONTAL SUPPORTS | 2 |
| 3 | BASE SUPPORTS | 2 |
| 4 | 3/8-16 HEX HD SCREWS | 16 |
| 5 | 3/8-16 HEX HD NUTS | 16 |
| 6 | 3/8 LOCK WASHERS | 16 |

TOOL BOX



9/16" Socket Wrench



9/16" Open End Wrench



Square

