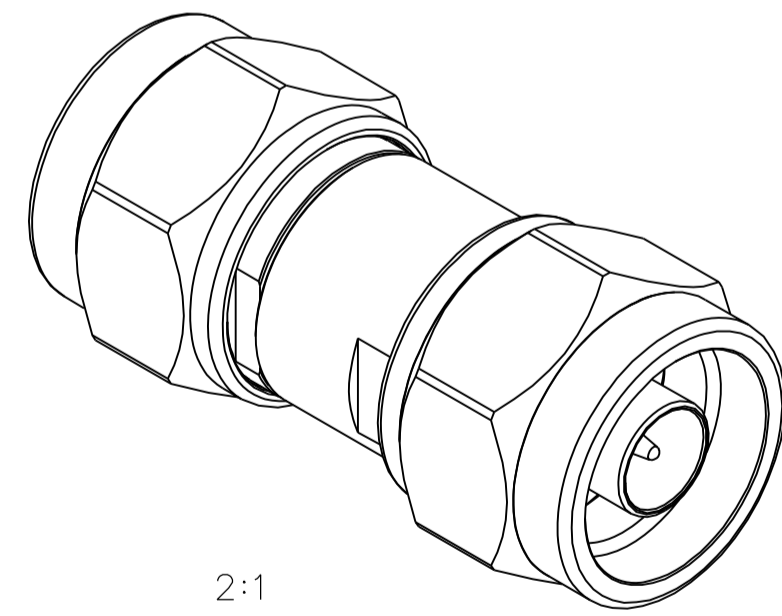
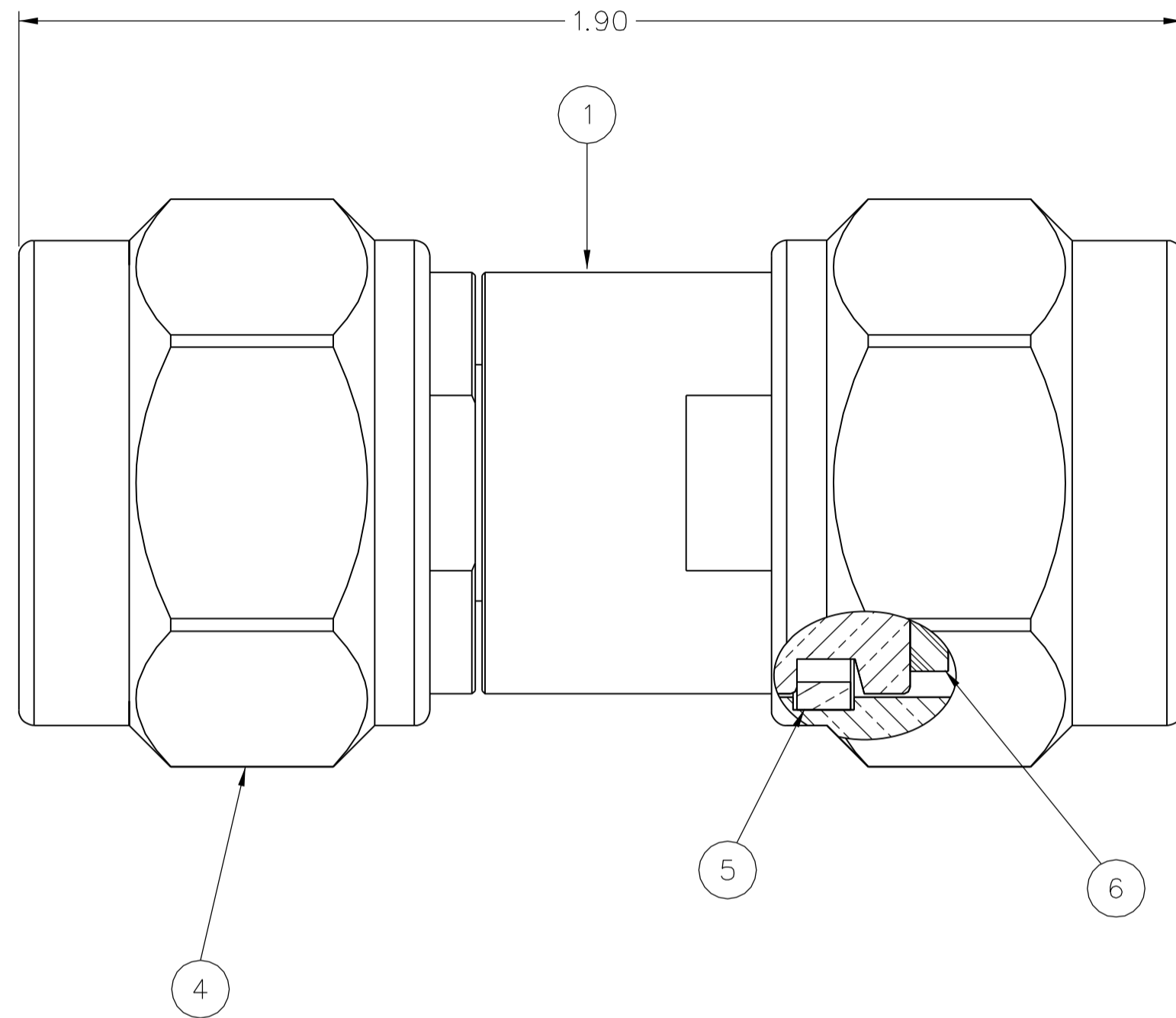
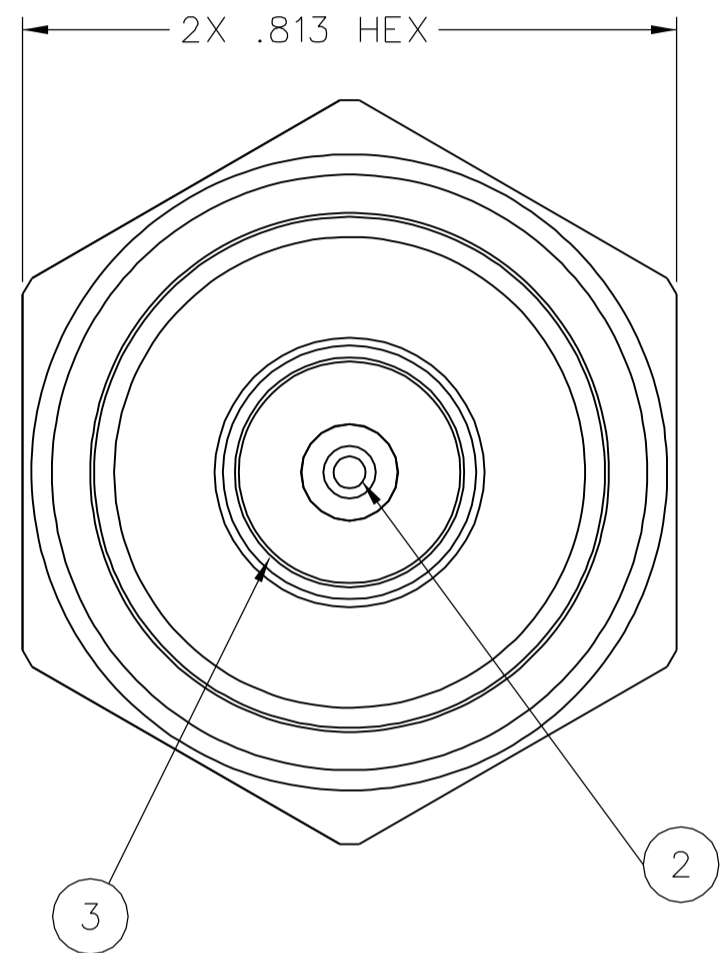


| | | | | | | |
|--------------|---|--|--|---|-------------------------------|--------------------------|
| PART NUMBER | ITEM ① BODY | ITEM ② CONTACT | ITEM ③ SUPPORT BEAD | ITEM ④ 2X COUPLING NUT | ITEM ⑤ 2X RETENTION SPRING | ITEM ⑥ 2X SEAL GASKET |
| 138-4901-816 | BRASS NICKEL PL .0001 MIN OVER COPPER PL .00005 MIN | BERYLLIUM COPPER GOLD PL .00005 MIN OVER NICKEL PL .00005 MIN OVER COPPER PL .00005 MIN | TEFLON DIELECTRIC BRASS HOUSING NICKEL PL .0001 MIN OVER COPPER PL .00005 MIN | BRASS NICKEL PL .0001 MIN OVER COPPER PL .00005 MIN | BERYLLIUM COPPER UNPLATED | SILICONE RUBBER |
| 138-4901-817 | BRASS TRI-ALLOY PL .0001 MIN | BERYLLIUM COPPER GOLD PL .00005 MIN OVER NICKEL PL .00005 MIN OVER COPPER PL .00005 MIN | TEFLON DIELECTRIC BRASS HOUSING NICKEL PL .0001 MIN OVER COPPER PL .00005 MIN | BRASS TRI-ALLOY PL .0001 MIN | BERYLLIUM COPPER UNPLATED | SILICONE RUBBER |

DRAWING NO.
C - 138-4901-811/820

| | | | | | |
|---|-----------|-------------|-------------|----------------------------|----------------------|
| 0 | REVISIONS | | | | |
| ENGINEERING RELEASE | | | | | |
| 1 | 2-1-06 | P A T | J R K | P D J M J U | 4-12-06 ECN 50239 |
| VERSION UPDATE | | | | | |
| ***** * REVISION NUMBER FOLLOWED BY AN ALPHA * * CHARACTER INDICATES DRAWING CLARIFICATION * * CATION OR PART NUMBER ADDITION ONLY. * ***** | | | | | |
| 1a | 2-15-10 | C W W | S D J | J R K | M J U |
| | | | | | 2-15-10 ECO 52129 |



NOTES:


1. SPECIFICATIONS:
- IMPEDANCE: 50 OHMS
 - FREQUENCY RANGE: 0-18 GHz
 - VSWR: 1.05+.01F (GHz) MAX AT 0-18 GHz
 - WORKING VOLTAGE: 1000 VRMS MAX AT SEA LEVEL
 - DIELECTRIC WITHSTANDING VOLTAGE: 2500 VRMS MIN AT SEA LEVEL
 - INSULATION RESISTANCE: 5000 MEGOHM MIN
 - CONTACT RESISTANCE:
 - CENTER CONTACT - INITIAL 1.5 MILLIOHM MAX, AFTER ENVIRONMENTAL 2.0 MILLIOHM MAX
 - OUTER CONDUCTOR - INITIAL 0.3 MILLIOHM MAX, AFTER ENVIRONMENTAL NOT APPLICABLE
 - CORONA LEVEL: 500 VOLTS MIN AT 70,000 FEET
 - INSERTION LOSS: .05 √F (GHz) dB MAX, TESTED AT 9 GHz
 - RF LEAKAGE: -90 dB MIN AT 2 TO 3 GHz
 - RF HIGH POTENTIAL WITHSTANDING VOLTAGE: 1500 VRMS AT 4 AND 7 MHz
 - THIRD ORDER INTERMODULATION PRODUCT (IMP3): TYPICALLY < -90 dBm (TESTED PER IEC GUIDELINES WITH 20W CW INPUTS AT 1930-1990 MHz)
- MECHANICAL:
- ENGAGE/DISENGAGE TORQUE: 6 IN-LBS MAX
 - MATING TORQUE: 7-10 IN-LBS
 - COUPLING PROOF TORQUE: 15 IN-LBS MIN
 - COUPLING NUT RETENTION: 100 LBS MIN
 - CONTACT RETENTION: 6 LBS MIN AXIAL FORCE
 - DURABILITY: 500 CYCLES MIN
- ENVIRONMENTAL:
- (MEETS OR EXCEEDS THE APPLICABLE PARAGRAPH OF MIL-PRF-55339)
- THERMAL SHOCK: MIL-STD-202, METHOD 107, CONDITION C, EXCEPT 85°C HIGH TEMP
 - OPERATING TEMPERATURE: -65°C TO 165°C
 - CORROSION: MIL-STD-202, METHOD 101, CONDITION B
 - SHOCK: MIL-STD-202, METHOD 213, CONDITION I
 - VIBRATION: MIL-STD-202, METHOD 204, CONDITION B
 - MOISTURE RESISTANCE: MIL-STD-202, METHOD 106

CUSTOMER DRAWING

THIS DRAWING TO BE INTERPRETED PER ASME Y 14.5M - 1994

"μSTATION"

COMPANY CONFIDENTIAL

| | | | | |
|--------------------------------------|--------------------|-----------------|---|---|
| TOLERANCE UNLESS OTHERWISE SPECIFIED | DRAWN BY PAT | DATE 2-1-06 |  Cinch CONNECTIVITY SOLUTIONS a bel group | Cinch Connectivity Solutions P.O. Box 1732 Waseca, MN 56093 1-800-247-8256 |
| DECIMALS _____ mm | PDW | DATE 4-11-06 | | TITLE ASSEMBLY, ADAPTER, TYPE N PLUG TO PLUG |
| .XX _____ | PDW | DATE 4-11-06 | SHEET 2 OF 2 | DRAWING NO. C - 138-4901-811/820 |
| .XXX REF _____ | APPROVED BY JRK | DATE 4-11-06 | | |
| MATL _____ | RELEASE DATE | 4-12-06 | | |
| FINISH _____ | U/M INCH | SCALE 4:1 | | |