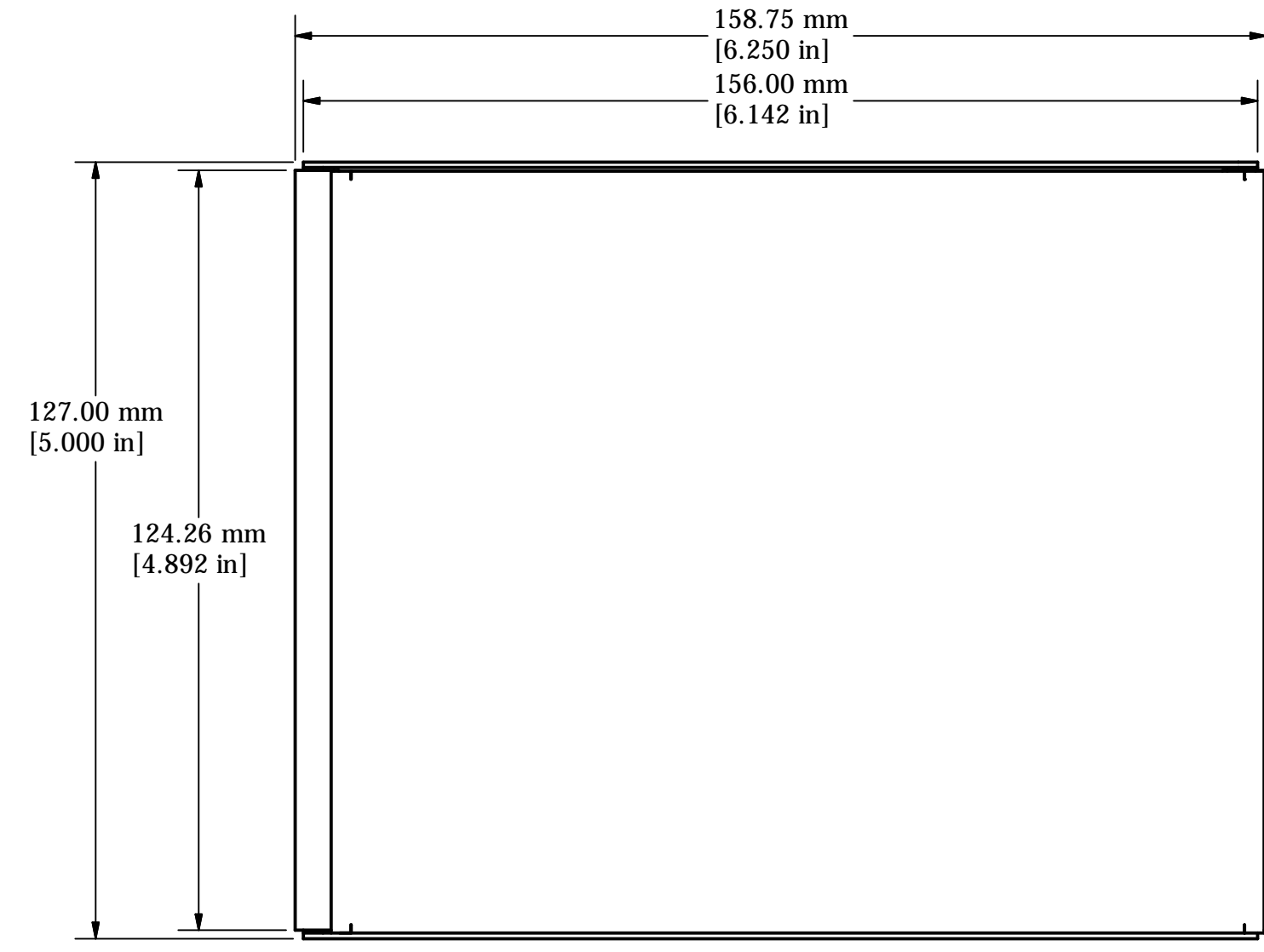
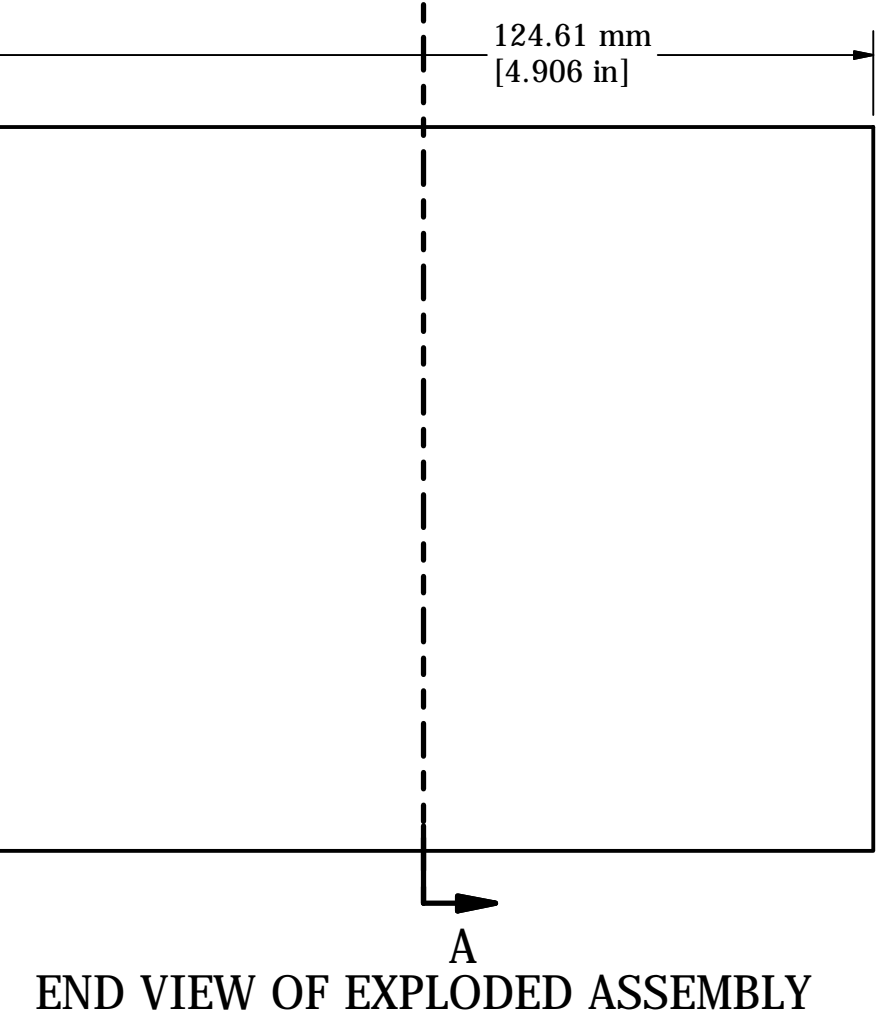
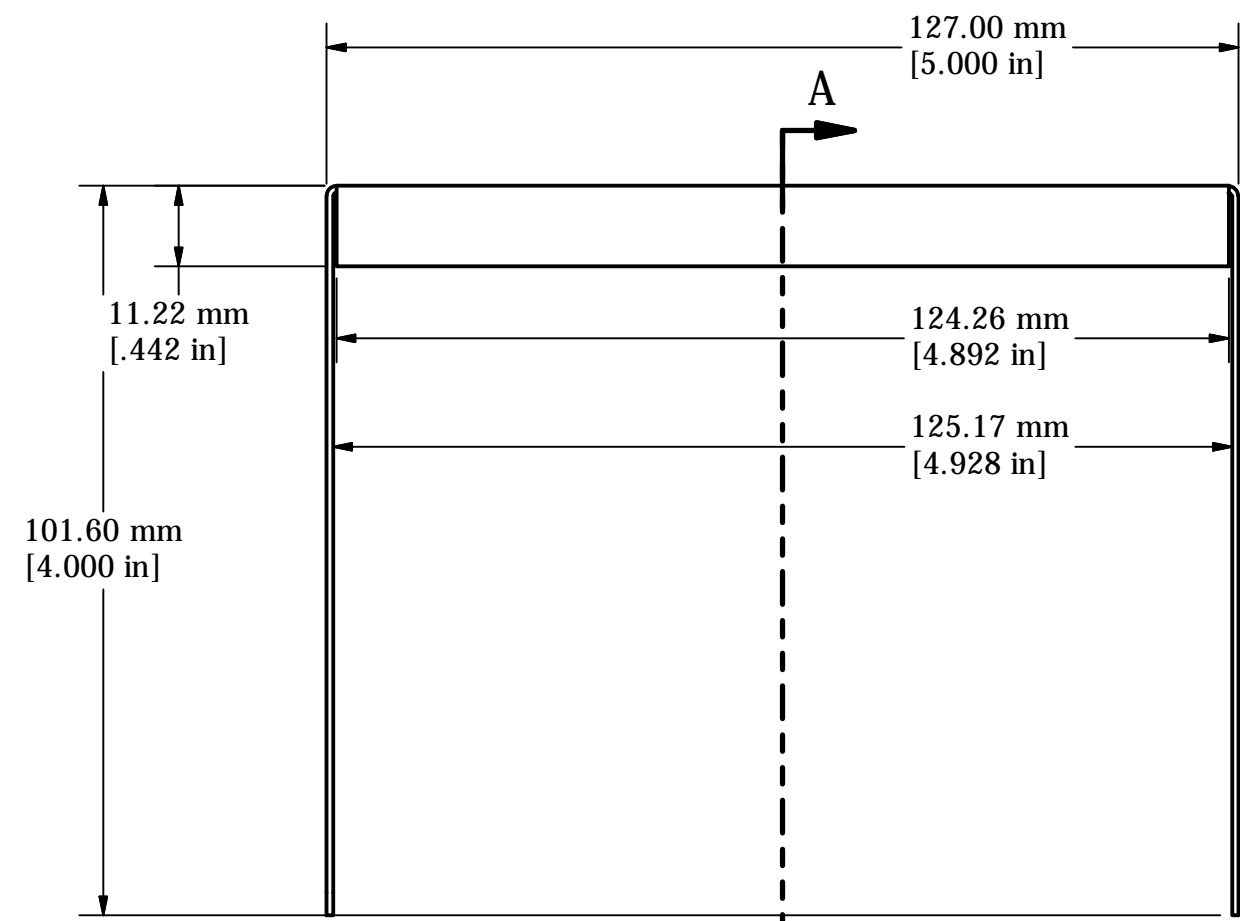
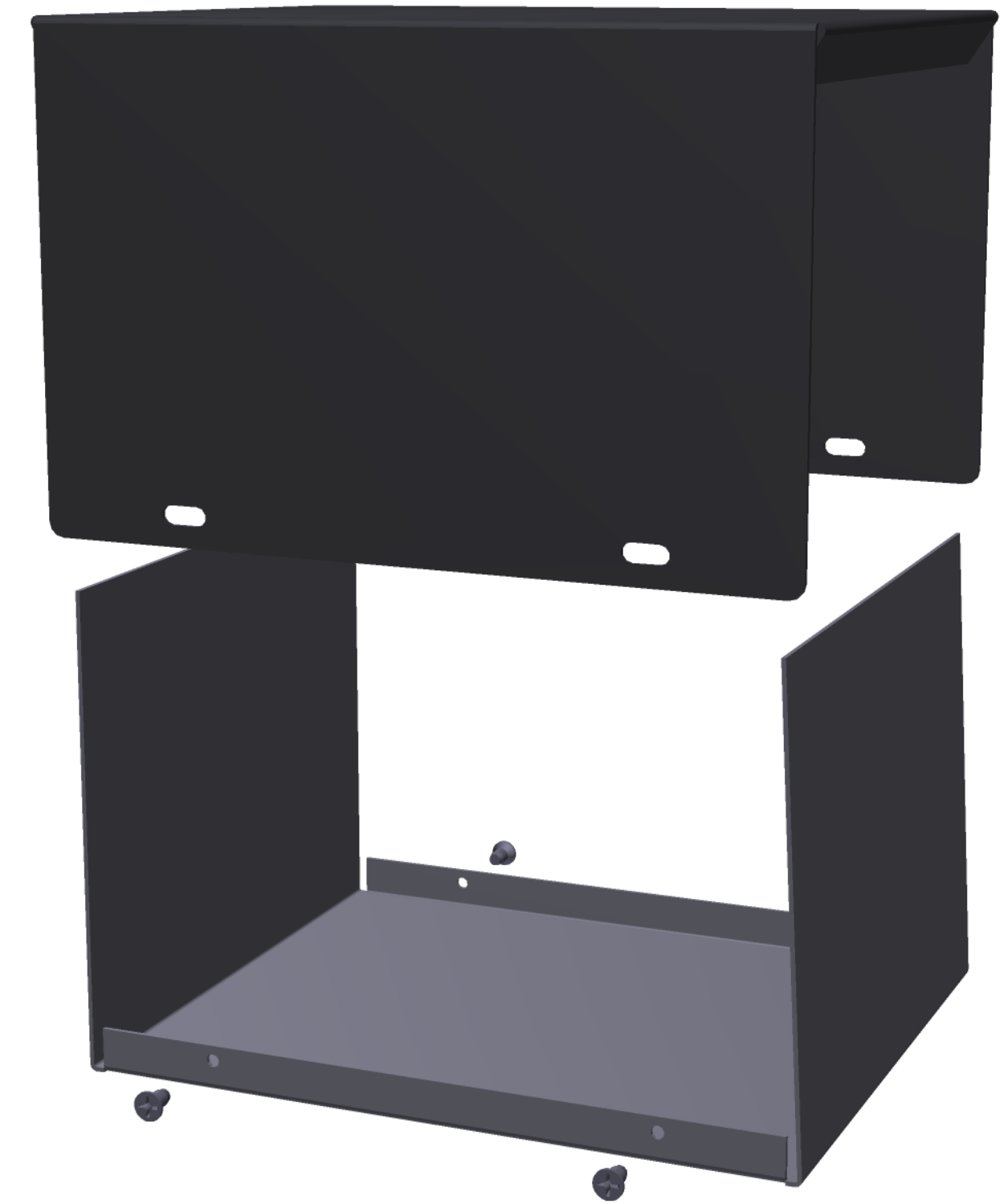


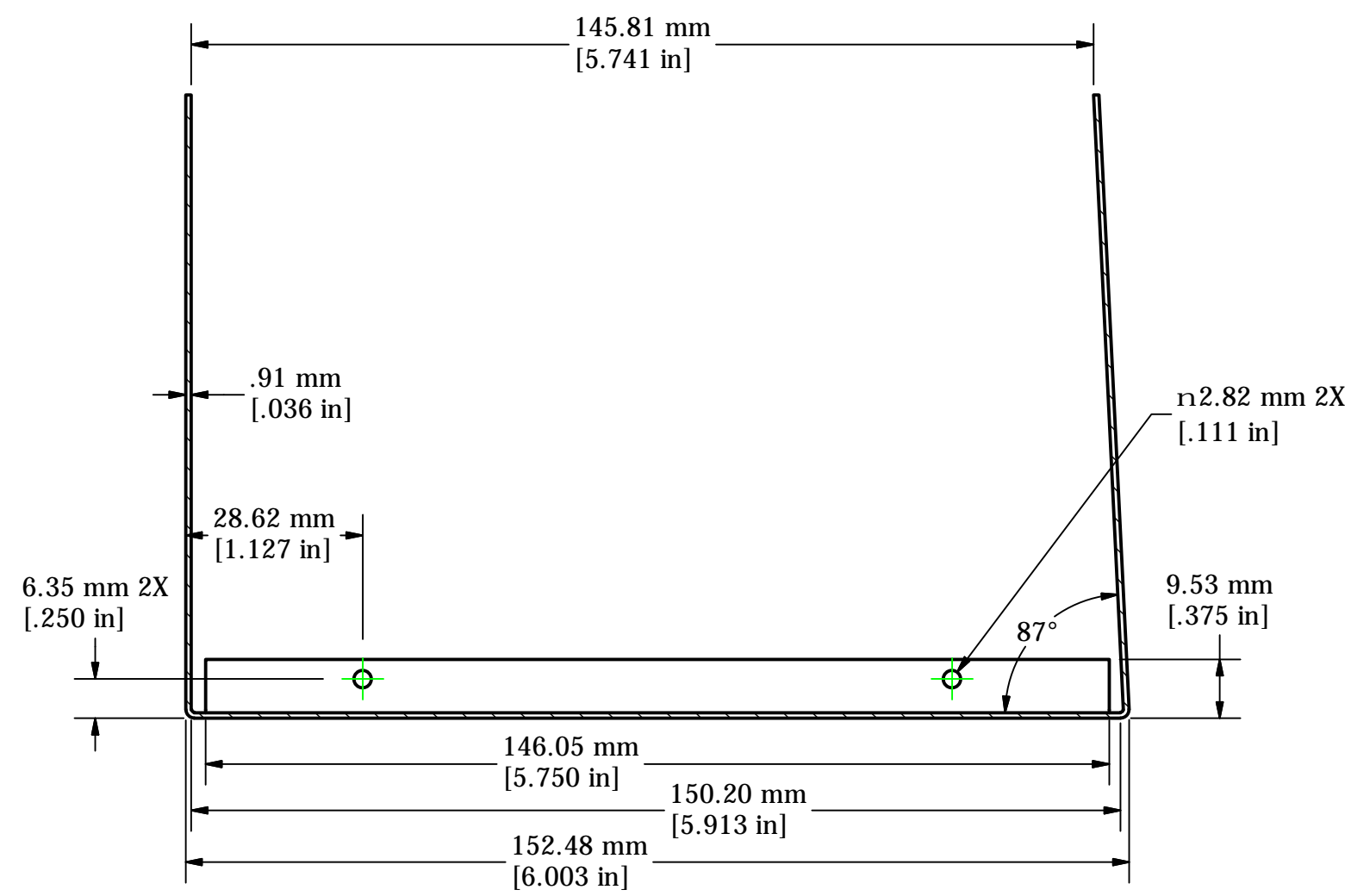
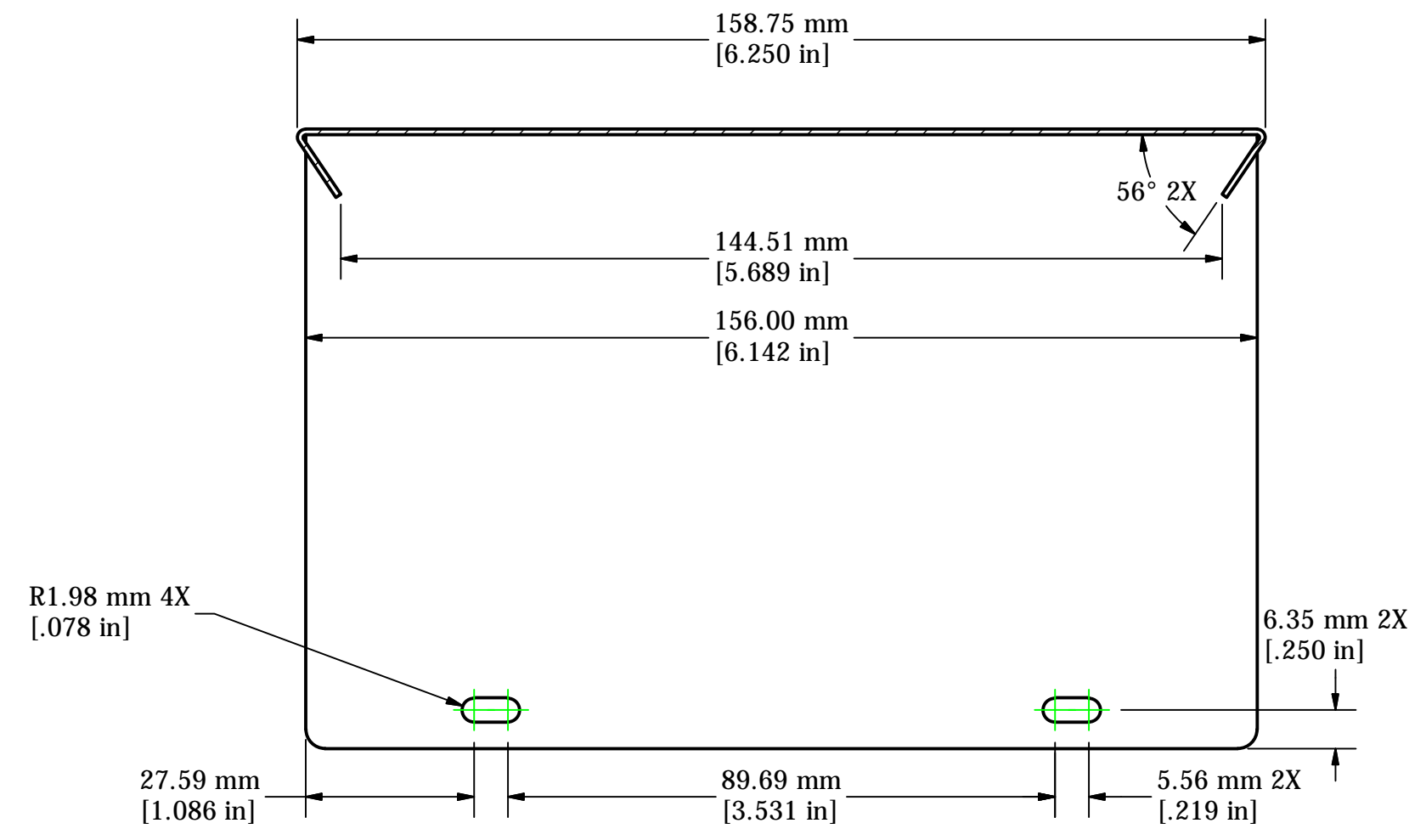
TOP VIEW OF ASSEMBLY



BOTTOM VIEW OF ASSEMBLY



END VIEW OF EXPLODED ASSEMBLY



SECTION A-A  
SIDE SECTION VIEW OF EXPLODED ASSEMBLY

Contact Factory [mjm@hammondmfg.com](mailto:mjm@hammondmfg.com) for quotes  
Enclosures can be Factory Modified ( Milling, Drilling, Printing etc.)  
Solid models of this enclosure available in STEP or IGES.

<b>1454D</b>
<b>Material:</b> 20 ga. Steel, Gray color
<b>Cover:</b> 20 ga. Steel, Textured black finish
<b>Screws:</b> 4 Supplied (#6-32 X 1/4" self tap)
<b>Feet:</b> Self-Adhesive rubber



**HAMMOND  
MANUFACTURING™**



**1454L**

[www.hammondmfg.com](http://www.hammondmfg.com)