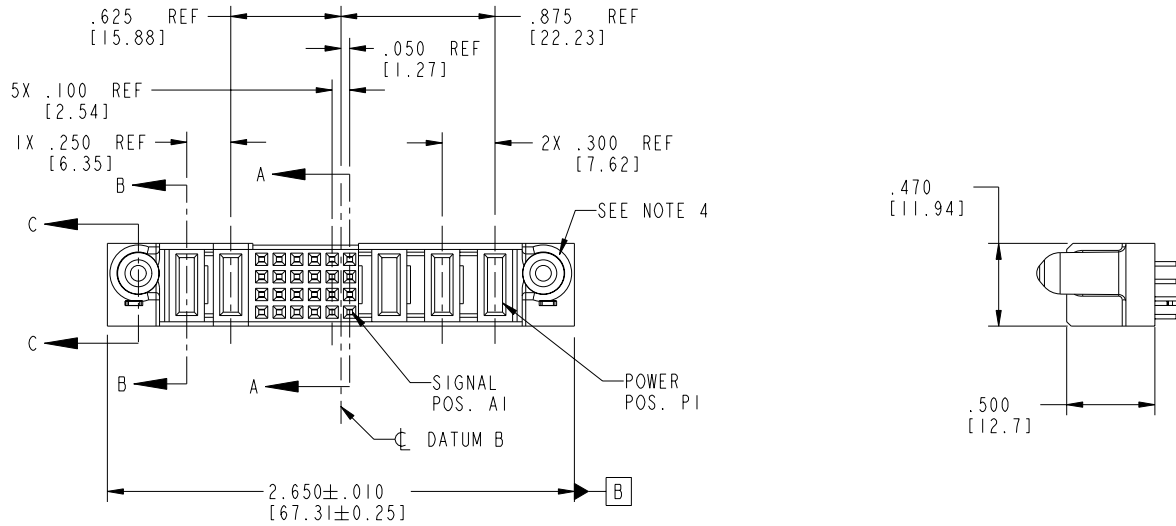


Tous droits strictement réservés. Reproduction ou communication à des tiers interdite sous quelque forme que ce soit sans autorisation écrite du propriétaire. Propriété de FCI. Droits de reproduction FCI.

All rights strictly reserved. Reproduction or issue to third parties in any form whatever is not permitted without written authority from the proprietor. Property of FCI. Copyright FCI.

PRODUCT NO.	ROWS	POWER				SIGNAL					POWER			E1
		E2	P5	P4	6	5	4	3	2	1	P3	P2	P1	
51940-102-- NOTE:3	D C B A													



CODE	DIM "M" MATING LENGTH	CONTACT TYPE
E	N/A [N/A]	SIGNAL
PA	.042 [1.07]	POWER
PD	.092 [2.34]	POWER
HA	N/A [N/A]	HOLD-DOWN

mat'l code				SEE NOTE 2		tolerances unless otherwise specified		CUSTOMER		 www.fciconnect.com	
ltr	ecn no.	dr	date	linear		.XX±.01/0.X±0.3		COPY		projection	
A	V04-0865	DAI	08/26/04			.XXX±.005/0.XX±0.13		INCH/MM		title	
B	DG05-0336	CS	09/19/05	angles		.XXX±.0020/0.XX±0.051		1:1		3ACP + 24S + 2P VERTICAL SOLDER RECEPT	
				dr	D. INGRAM	08/26/04		product family		PwrBlade	
				enr	M. GRAY	08/26/04		size		213	
				chr	M. GRAY	08/26/04		dwg no		sheet	
				appd	M. GRAY	08/26/04		A		1 of 4	
sheet index		revision	B	B	B	B		scale		cage code	
		sheet	1	2	3	4		1:1		22526	

Pro/E

cage code 22526

PDM: Rev:B

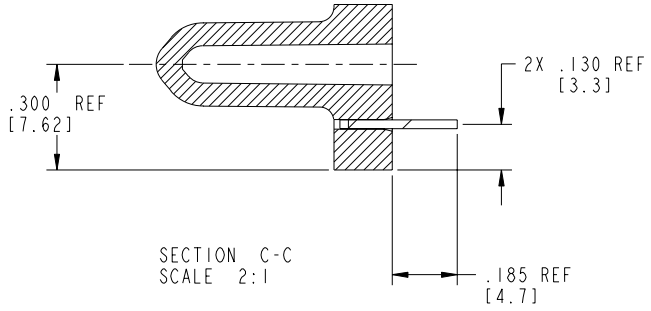
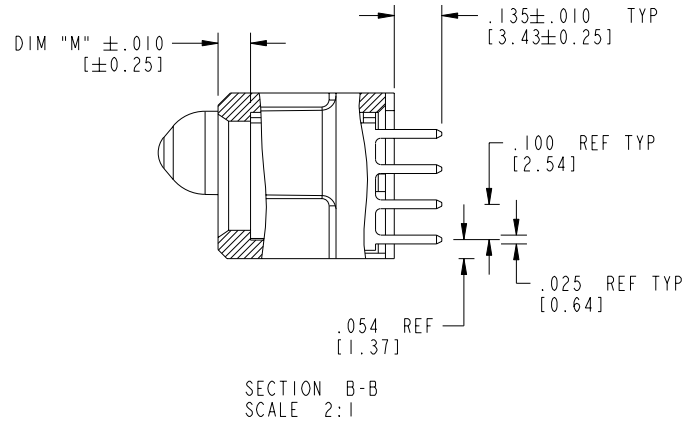
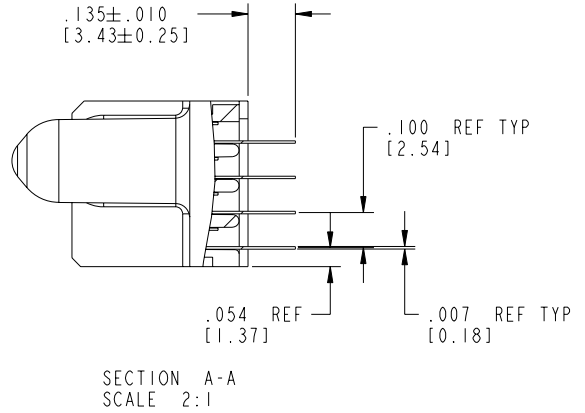
STATUS: Released

Printed: Dec 20, 2010

Tous droits strictement réservés. Reproduction ou communication a des tiers interdite sous quelque forme que ce soit sans autorisation écrite du propriétaire. Propriété de c FCI. Droits de reproduction FCI.

All rights strictly reserved. Reproduction or issue to third parties in any form whatever is not permitted without written authority from the proprietor. Property of FCI. Copyright FCI.

PRODUCT NUMBER
51940-102--
NOTE: 3



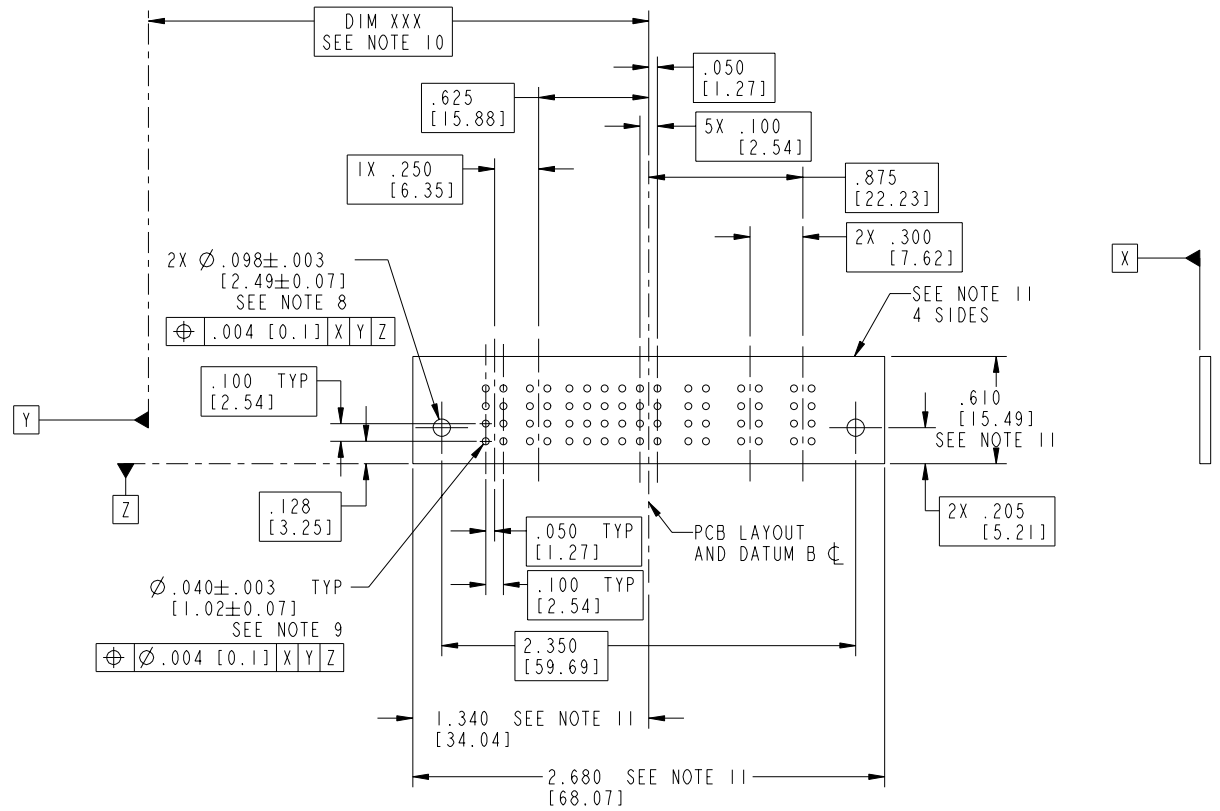
mat'l code		SEE NOTE 2		tolerances unless otherwise specified		CUSTOMER		 www.fciconnect.com	
ltr	ecn no.	dr	date	linear	.XX±.01/0.X±0.3	COPY		title	
B					.XXX±.005/0.XX±0.13	projection		3ACP + 24S + 2P	
				angles	.XXX±.0020/0.XXX±0.051			VERTICAL SOLDER RECEPT	
				dr	0°±2°	INCH/MM		product family	
				enr	D. INGRAM 08/26/04	scale		PwrBlade	
				chr	M. GRAY 08/26/04	1:1		code	
				appd	M. GRAY 08/26/04			213	
sheet index	revision sheet							sheet	
								2 of 4	

cage code 22526 4

Tous droits strictement réservés. Reproduction ou communication a des tiers interdite sous quelque forme que ce soit sans autorisation écrite du propriétaire. Propriété de c FCI. Droits de reproduction FCI.

All rights strictly reserved. Reproduction or issue to third parties in any form whatever is not permitted without written authority from the proprietor. Property of FCI. Copyright FCI.

PRODUCT NUMBER
51940-102__
NOTE: 3



mat'l code		SEE NOTE 2		tolerances unless otherwise specified		CUSTOMER		 www.fciconnect.com	
ltr	ecn no.	dr	date	linear	.XX±.01/0.X±0.3	COPY		projection	
B					.XXX±.005/0.XX±0.13			title 3ACP + 24S + 2P	
				angles	.XXX±.002/0.XX±0.051	 INCH/MM		VERTICAL SOLDER RECEPT	
				dr	D. INGRAM 08/26/04	scale		product family PwrBlade	
				enrg	M. GRAY 08/26/04	1:1		code 213	
				chr	M. GRAY 08/26/04			size dwg no	
				appd	M. GRAY 08/26/04			A 51940-102	
sheet index		revision sheet						sheet 3 of 4	

cage code 22526 4

Pro/E

PDM: Rev:B

STATUS: Released

Printed: Dec 20, 2010

Tous droits strictement réservés. Reproduction ou communication à des tiers interdite sous quelque forme que ce soit sans autorisation écrite du propriétaire. Propriété de c FCI. Droits de reproduction FCI.

A
FCI

All rights strictly reserved. Reproduction or issue to third parties in any form whatever is not permitted without written authority from the proprietor. Property of FCI. Copyright FCI.

PRODUCT NUMBER
51940-102__
NOTE: 3

NOTES:

1. DIMENSIONS AND TOLERANCES ARE IN ACCORDANCE WITH ASME Y14.5M, 1994 UNLESS OTHERWISE SPECIFIED.

CONNECTOR NOTES:

② HOUSING MATERIAL: UL 94 V-0 GLASS FILLED
HIGH-TEMP THERMOPLASTIC
POWER CONTACT MATERIAL: COPPER ALLOY
SIGNAL PIN MATERIAL: COPPER ALLOY

3. PLATING:
51940-102 Singal Pin: 30u"/0.76um Au OVER 50u"/1.27um Ni ON THE CONTACT AREA,
AND 100u"/2.54um SnPb PLATING OVER 50u"/1.27um Ni ON THE TERMINATION SECTION.
Power Pin: 30u"/0.76um Au OVER 50u"/1.27um Ni ON THE CONTACT AREA,
AND 100u"/2.54um SnPb PLATING OVER 50u"/1.27um Ni ON THE TERMINATION SECTION.
51940-102LF Singal Pin: 30u"/0.76um Au OVER 50u"/1.27um Ni ON THE CONTACT AREA,
AND 78u"/2.00um Sn PLATING OVER 50u"/1.27um Ni ON THE TERMINATION SECTION.
Power Pin: 30u"/0.76um Au OVER 50u"/1.27um Ni ON THE CONTACT AREA,
AND 78u"/2.00um Sn PLATING OVER 50u"/1.27um Ni ON THE TERMINATION SECTION.

PART NUMBER 51940-102LF MEETS EUROPEAN UNION DIRECTIVE AND OTHER COUNTRY REGULATIONS AS DESCRIBED IN GS-22-008.

THE HOUSING WILL WITHSTAND EXPOSURE TO 260° PEAK TEMPERATURE FOR 10 SECONDS IN A WAVE SOLDER APPLICATION WITH A CIRCUIT BOARD.

④ MANUFACTURER'S NAME, P/N, AND DATE CODE TO APPEAR ON THIS SURFACE.

5. PRODUCT SPECIFICATION GS-12-149.
APPLICATION SPECIFICATION BUS-20-067.

6. PACKAGED IN TRAYS.

PCB NOTES:

7. ALL HOLE DIAMETERS ARE FINISHED HOLE SIZE.

⑧ MOUNTING HOLES, WHERE APPLICABLE, ARE UNPLATED.

⑨ $\varnothing .0453 \pm .0010$ [1.151 \pm 0.025] DRILLED HOLES PLATED WITH
.0003 [0.008] MIN SnPb OVER .001 [0.03]
TO .003 [0.08] Cu PLATING TO ACHIEVE
 $\varnothing .040 \pm .003$ [1.02 \pm .07] HOLE.

⑩ "DIM XXX" TO BE DETERMINED BY THE CUSTOMER.

⑪ CONNECTOR KEEP-OUT ZONE.

mat'l code				SEE NOTE 2		tolerances unless otherwise specified		CUSTOMER		A FCI www.fciconnect.com	
ltr	ecn no.	dr	date	linear	.XX+ .01/0.X+0.3	COPY		projection	title 3ACP + 24S + 2P VERTICAL SOLDER RECEPT		
B				angles	.XXX+ .005/0.XX+0.13	INCH/MM			product family	PwrBlade	code
				dr	XXXX+ .0020/0.XXX+0.051	scale 1:1			size	dwg no	213
				enr	0° +2°			A	51940-102	4	of 4
				chr	D. INGRAM 08/26/04						
				appd	M. GRAY 08/26/04						
					M. GRAY 08/26/04						
sheet index	revision sheet										

cage code 22526 4

PDM: Rev:B

STATUS: Released

Printed: Dec 20, 2010