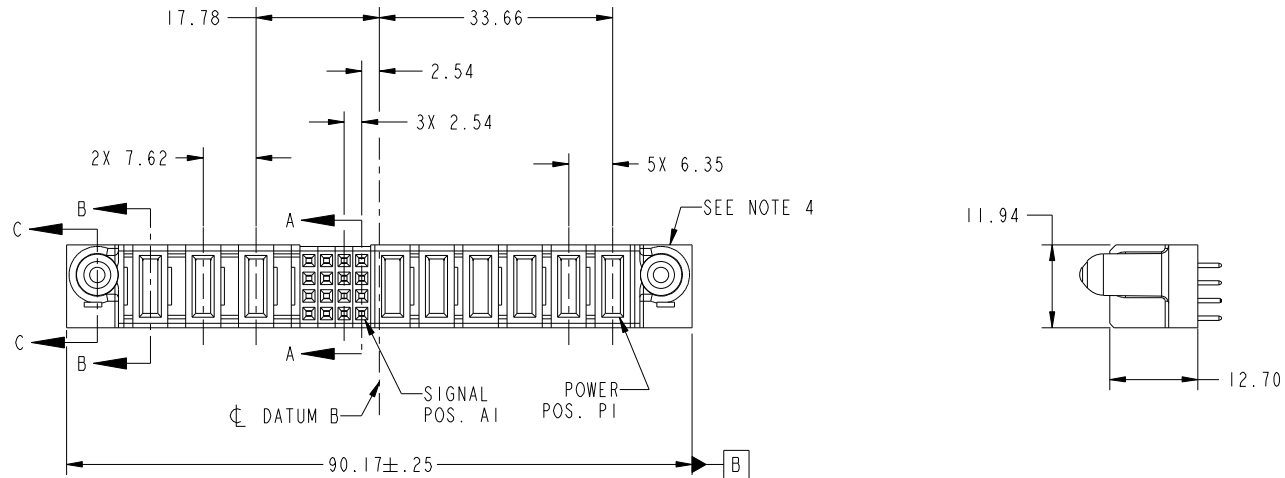


Tous droits strictement reserves. Reproduction ou communication a des tiers interdite sous quelque forme que ce soit sans autorisation écrite du propriétaire. Propriete de c FCI. Droits de reproduction FCI.



All rights strictly reserved. Reproduction or issue to third parties in any form whatever is not permitted without written authority from the proprietor. Property of FCI. Copyright FCI.

PRODUCT NO.	ROWS	POWER			SIGNAL			POWER								
		E2	P9	P8	P7	4	3	2	1	P6	P5	P4	P3	P2	P1	E1
51940-157-- NOTE: 3	D C B A															



CODE	DIM "M" MATING LENGTH	CONTACT TYPE
E	[N/A]	SIGNAL
PA	[1.07]	POWER

mat'l code				SEE NOTE		tolerances unless otherwise specified		CUSTOMER		FCI	
ltr	ecn no.	dr	date	linear	0.X ± 0.5	projection		COPY		www.fciconnect.com	
A	DG05-0246	SW	07/26/05		0.XX ± 0.25	MIM		title		6P + 16S + 3ACP VERTICAL STB RECEPT	
B	DG05-0271	SW	08/09/05	angles	0.XXX ± 0.13	1:1		product family		PwrBlade code	
C	DG09-0093	JW	04/07/09	dr	STEVEN WANG 07/26/05	scale		size		213	
				enrg	M. MOSTOLLER mm/dd/yy			dwg no		sheet	
				chr	VICTOR LIN 07/26/05			51940-157		1 of 4	
				appd	JOSEPH HSIA 07/26/05			A			
sheet index	revision sheet	C 1	C 2	C 3	C 4			cage code		22526	

Pro/E

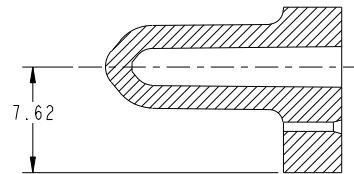
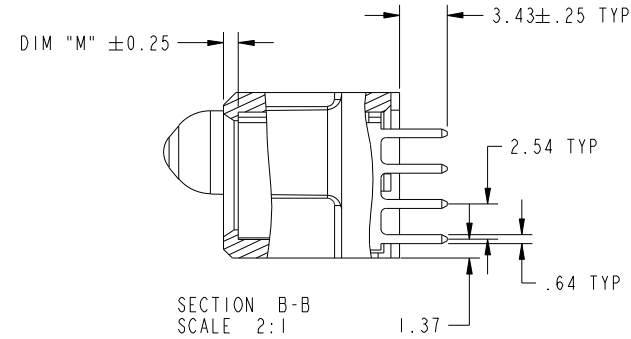
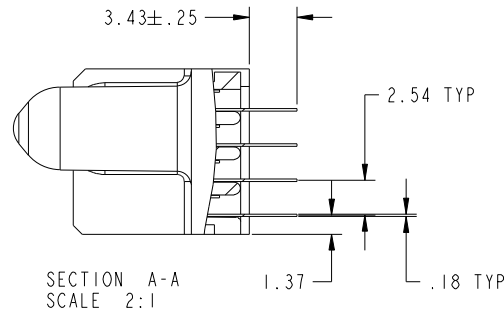
cage code 22526

Tous droits strictement reserves. Reproduction ou communication a des tiers interdite sous quelque forme que ce soit sans autorisation écrite du propriétaire. Propriete de c FCI. Droits de reproduction FCI.



All rights strictly reserved. Reproduction or issue to third parties in any form whatever is not permitted without written authority from the proprietor. Property of FCI. Copyright FCI.

PRODUCT NUMBER
51940-157_-
NOTE: 3



mat'l code		SEE NOTE		tolerances unless otherwise specified		CUSTOMER		www.fciconnect.com	
ltr	ecn no.	dr	date	linear	0.X ± 0.5	COPY		title 6P + 16S + 3ACP VERTICAL STB RECEIPT	
C					0.XX ± 0.25	projection			
				angles	0.XXX ± 0.13				
				dr	STEVEN WANG 07/26/05			product family PwrBlade code 213	
				engr	M. MOSTOLLER mm/dd/yy	scale		size dwg no 213	
				chr	VICTOR LIN 07/26/05	1:1		sheet 2	
				appd	JOSEPH HSIA 07/26/05			A 51940-157	
sheet index		revision sheet							

Pro/E

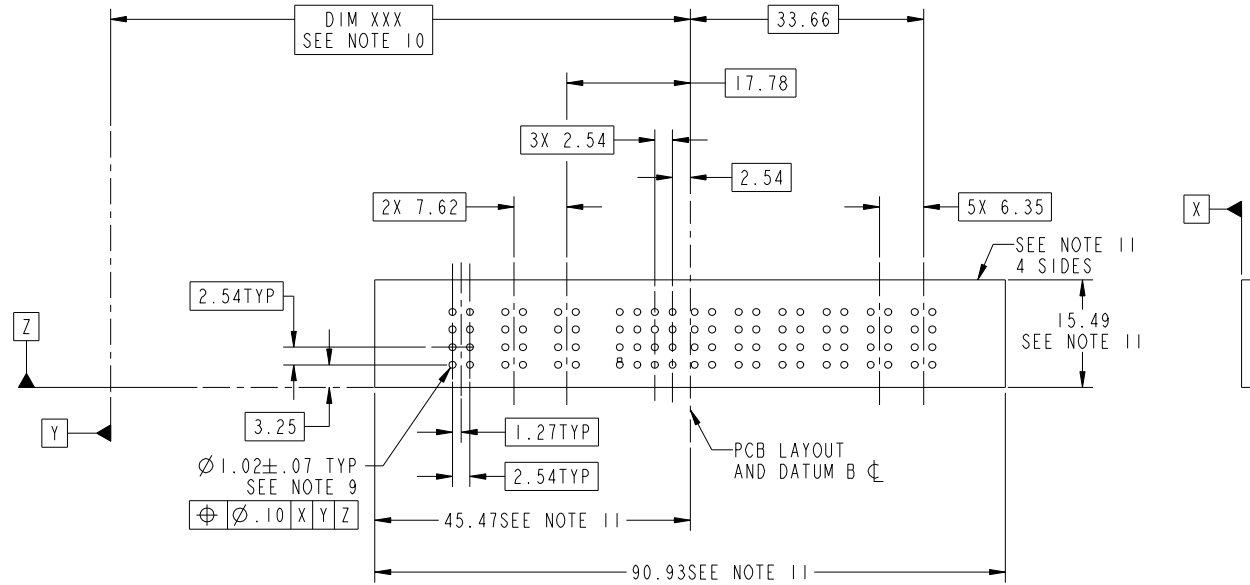
cage code 22526

Tous droits strictement reserves. Reproduction ou communication a des tiers interdite sous quelque forme que ce soit sans autorisation écrite du propriétaire. Propriete de c FCI. Droits de reproduction FCI.



All rights strictly reserved. Reproduction or issue to third parties in any form whatever is not permitted without written authority from the proprietor. Property of FCI. Copyright FCI.

PRODUCT NUMBER
51940-157_-
NOTE: 3



mat'l code		SEE NOTE		tolerances unless otherwise specified		CUSTOMER		www.fciconnect.com	
ltr	ecn no.	dr	date	linear	0.X ± 0.5	COPY		title	
C					0.XX ± 0.25	projection		6P + 16S + 3ACP VERTICAL STB RECEPT	
				angles	0.XXX ± 0.13			product family PwrBlade code 213	
				dr	STEVEN WANG 07/26/05	MIM		size	
				enrg	M. MOSTOLLER mm/dd/yy			dwg no 51940-157 sheet 3	
				chr	VICTOR LIN 07/26/05	scale 1:1		cage code 22526	
				appd	JOSEPH HSIA 07/26/05				
sheet index	revision sheet								

Pro/E

cage code 22526

Tous droits strictement reserves. Reproduction ou communication a des tiers interdite sous quelque forme que ce soit sans autorisation écrite du propriétaire. Propriete de c FCI. Droits de reproduction FCI.



All rights strictly reserved. Reproduction or issue to third parties in any form whatever is not permitted without written authority from the proprietor. Property of FCI. Copyright FCI.

PRODUCT NUMBER
51940-157_- NOTE: 3

NOTES:

1. DIMENSIONS AND TOLERANCES ARE IN ACCORDANCE WITH ASME Y14.5M, 1994 UNLESS OTHERWISE SPECIFIED.

CONNECTOR NOTES:

2 HOUSING MATERIAL: UL 94 V-0 GLASS FILLED
HIGH-TEMP THERMOPLASTIC
POWER CONTACT MATERIAL: COPPER ALLOY
SIGNAL PIN MATERIAL: COPPER ALLOY

3. PLATING:
SEE ITEM 5 & 6 IN PRINT 10064183 FOR PLATING SPEC OF 51940-157, 51940-157LF RESPECTIVELY.

4 MANUFACTURER'S NAME, P/N, AND DATE CODE TO APPEAR ON THIS SURFACE.

5. PRODUCT SPECIFICATION GS-12-149.
APPLICATION SPECIFICATION BUS-20-067.

6. PACKAGED IN TRAYS.

PCB NOTES:

7. ALL HOLE DIAMETERS ARE FINISHED HOLE SIZE.

8 MOUNTING HOLES, WHERE APPLICABLE, ARE UNPLATED.

9 $\varnothing 1.151 \pm 0.025$ DRILLED HOLES PLATED WITH
0.008 MIN SnPb OVER 0.03
TO 0.08 Cu PLATING TO ACHIEVE
 $\varnothing 1.02 \pm .07$ HOLE.

10 "DIM XXX" TO BE DETERMINED BY THE CUSTOMER.

11 CONNECTOR KEEP-OUT ZONE.

12. A Δ SYMBOL WILL BE NEXT TO ANY DIMENSION, VIEW, OR NOTE WHICH HAS BEEN MODIFIED WITH THE CURRENT DRAWING REVISION.

mat'l code		SEE NOTE		tolerances unless otherwise specified		CUSTOMER		FCI www.fciconnect.com	
ltr	ecr no.	dr	date	linear	0.X ± 0.5		COPY		title 6P + 16S + 3ACP VERTICAL STB RECEPT
C					0.XX ± 0.25		projection		
					0.XXX ± 0.13				
				angles	0° + 2°				product family PwrBlade code 213
		dr	STEVEN WANG	07/26/05	size		A	sheet 4	
		enr	M. MOSTOLLER	mm/dd/yy	scale				
		chr	VICTOR LIN	07/26/05	1:1				
		appd	JOSEPH HSIA	07/26/05			dwg no 51940-157		
sheet index	revision sheet								

cage code 22526

Pro/E