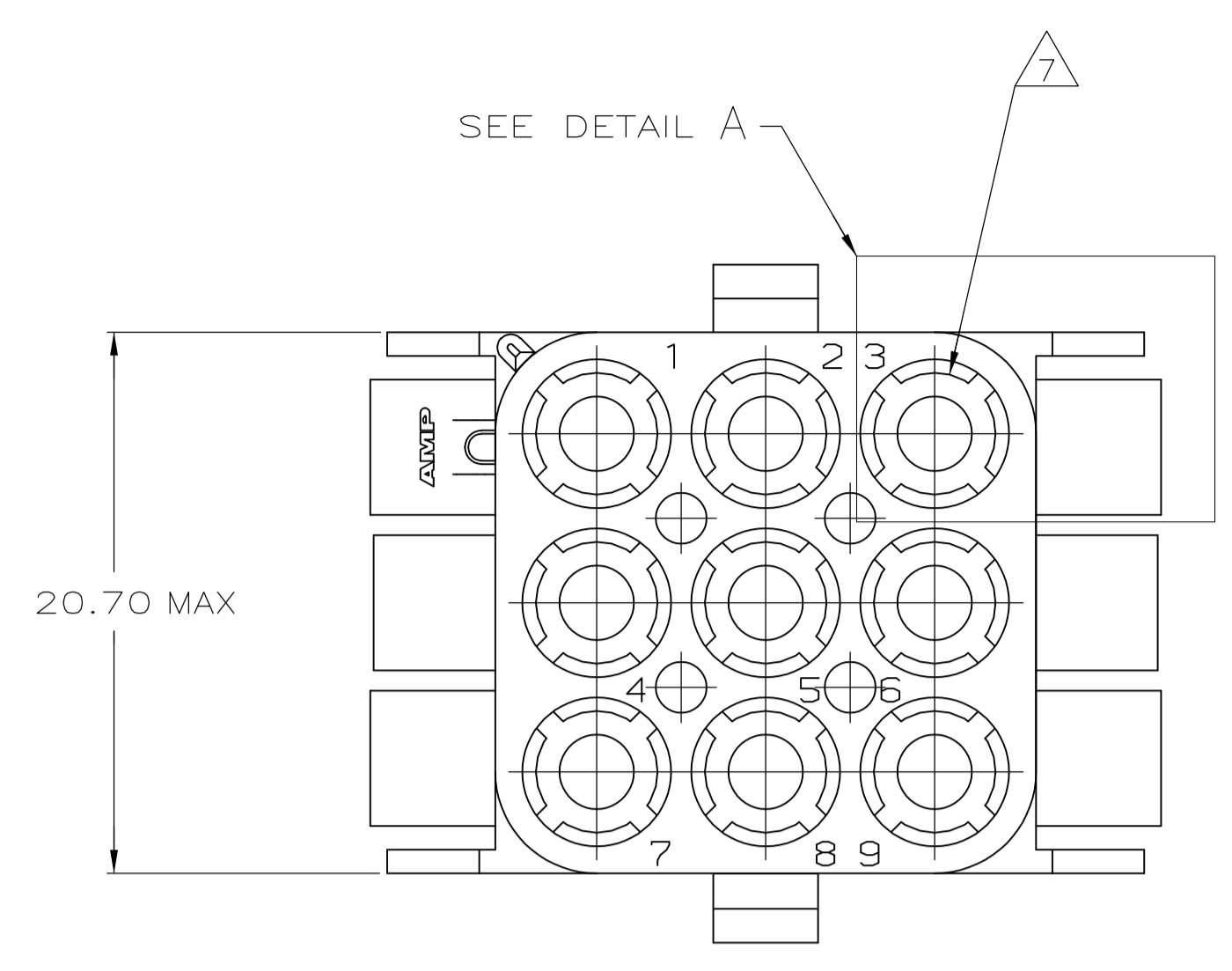
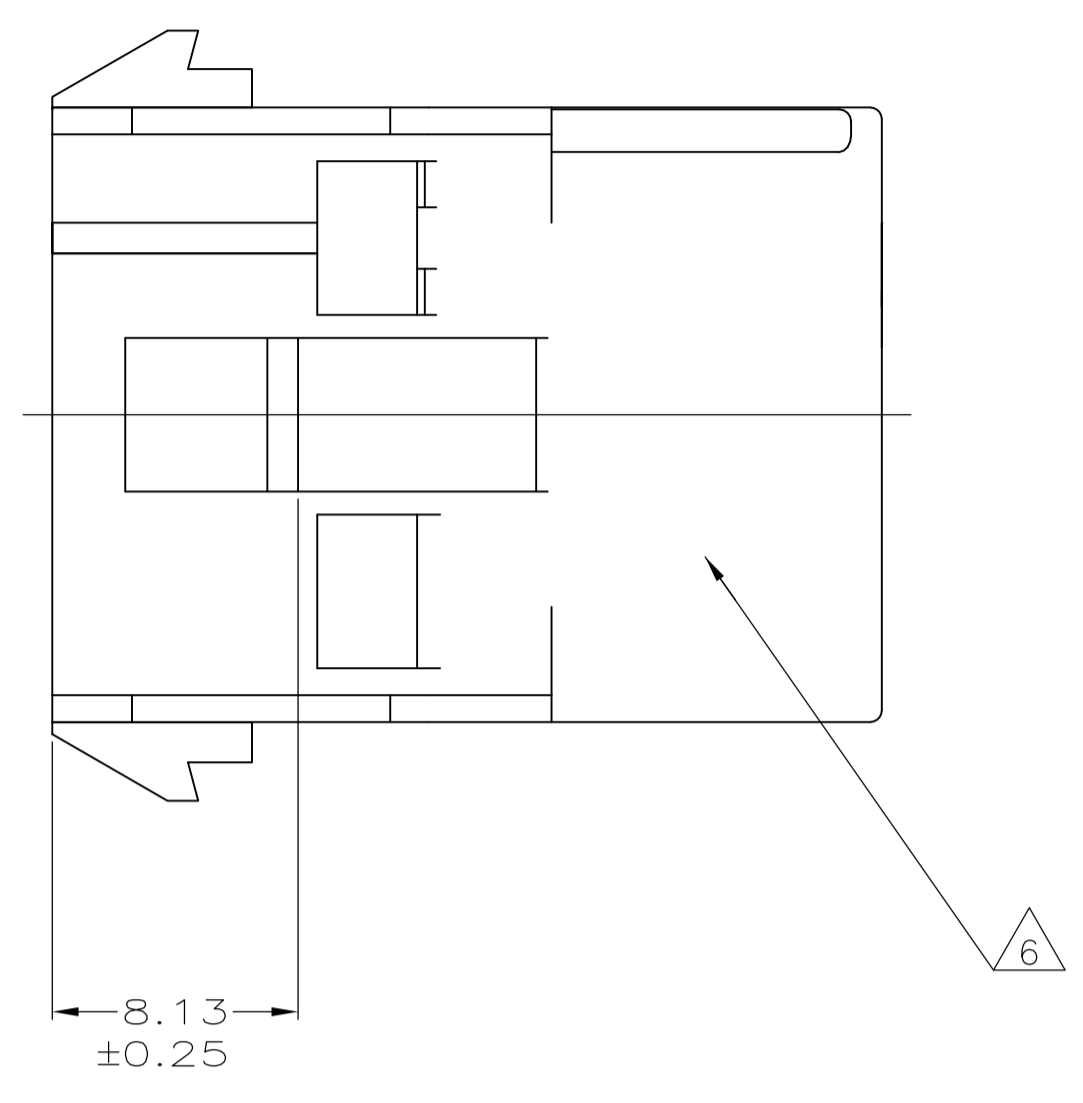
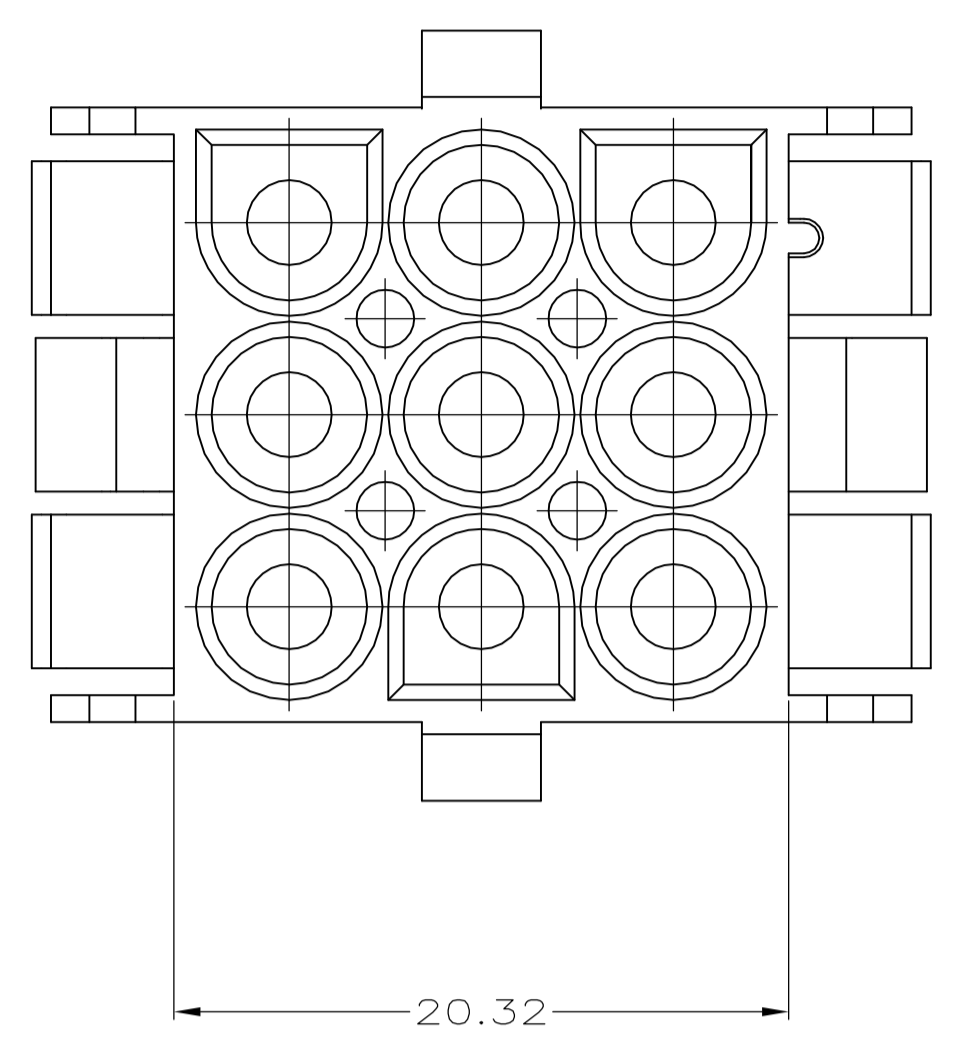
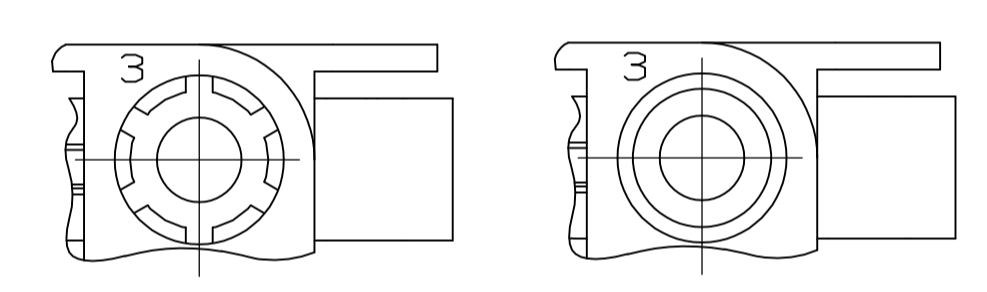


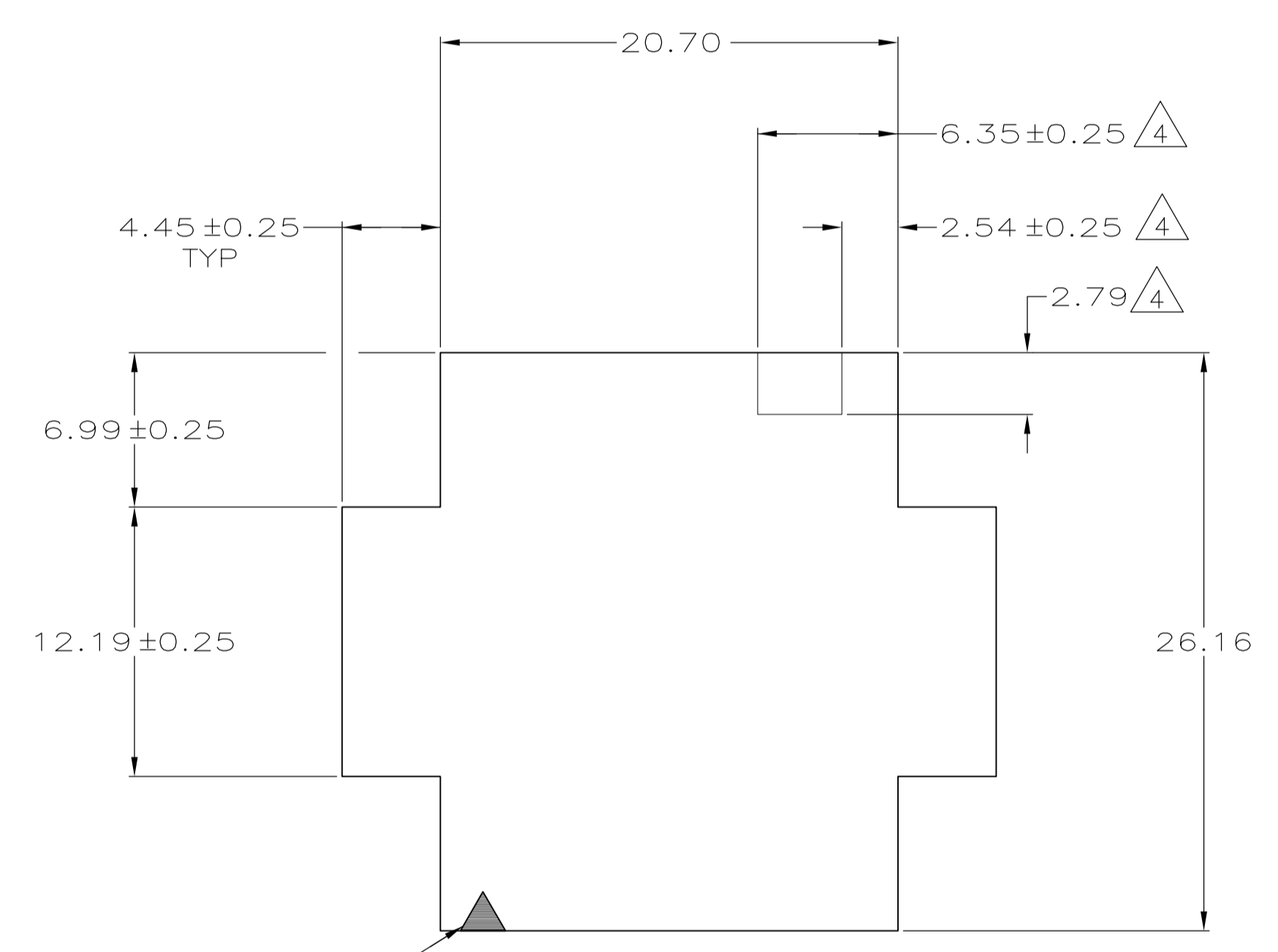
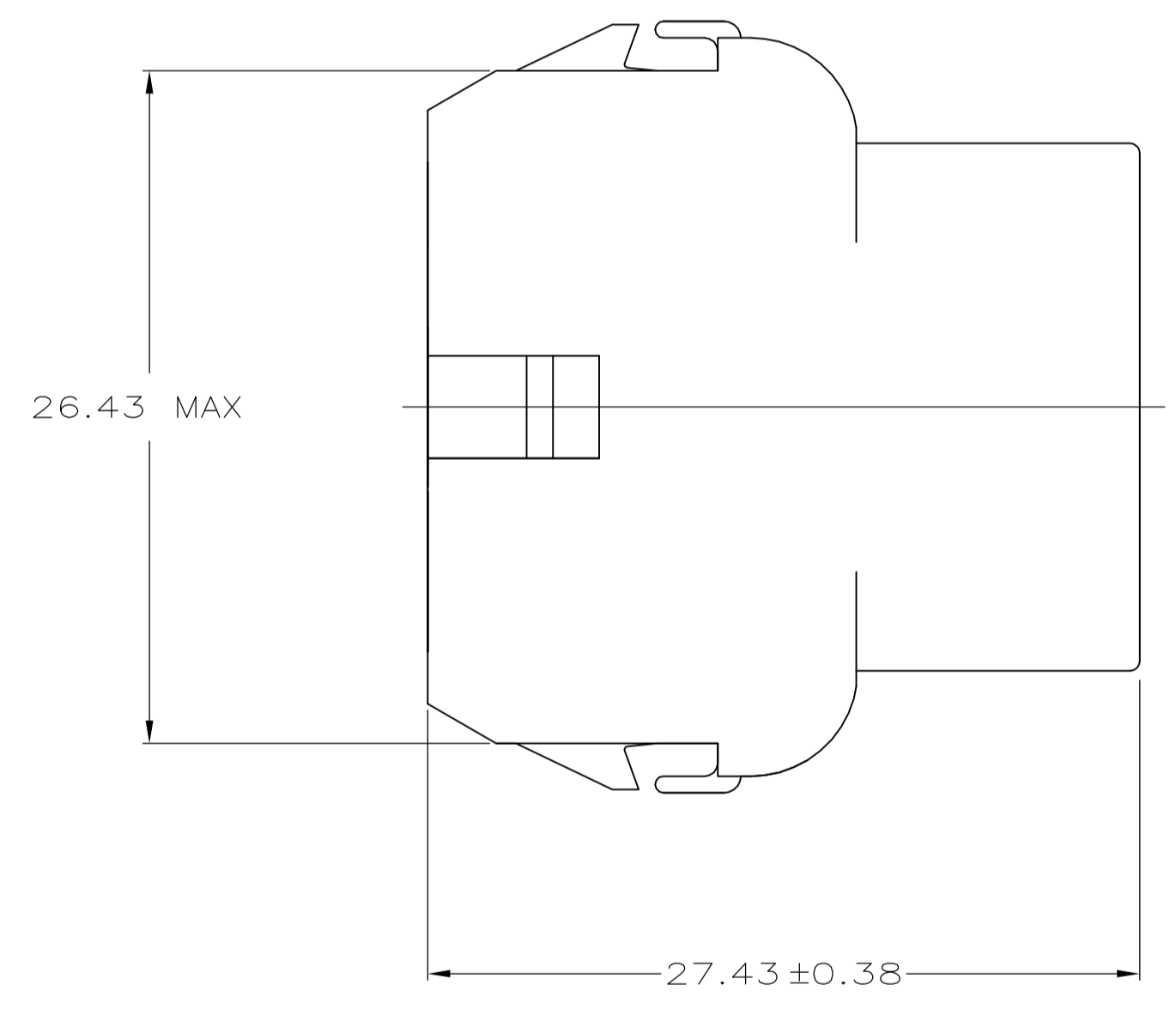
LOC		DIST		REVISIONS			
P	LTR	DESCRIPTION	DATE	DMN	APVD		
A1		REVISED PER ECO-08-022511	11SEP08	HMR	DC		



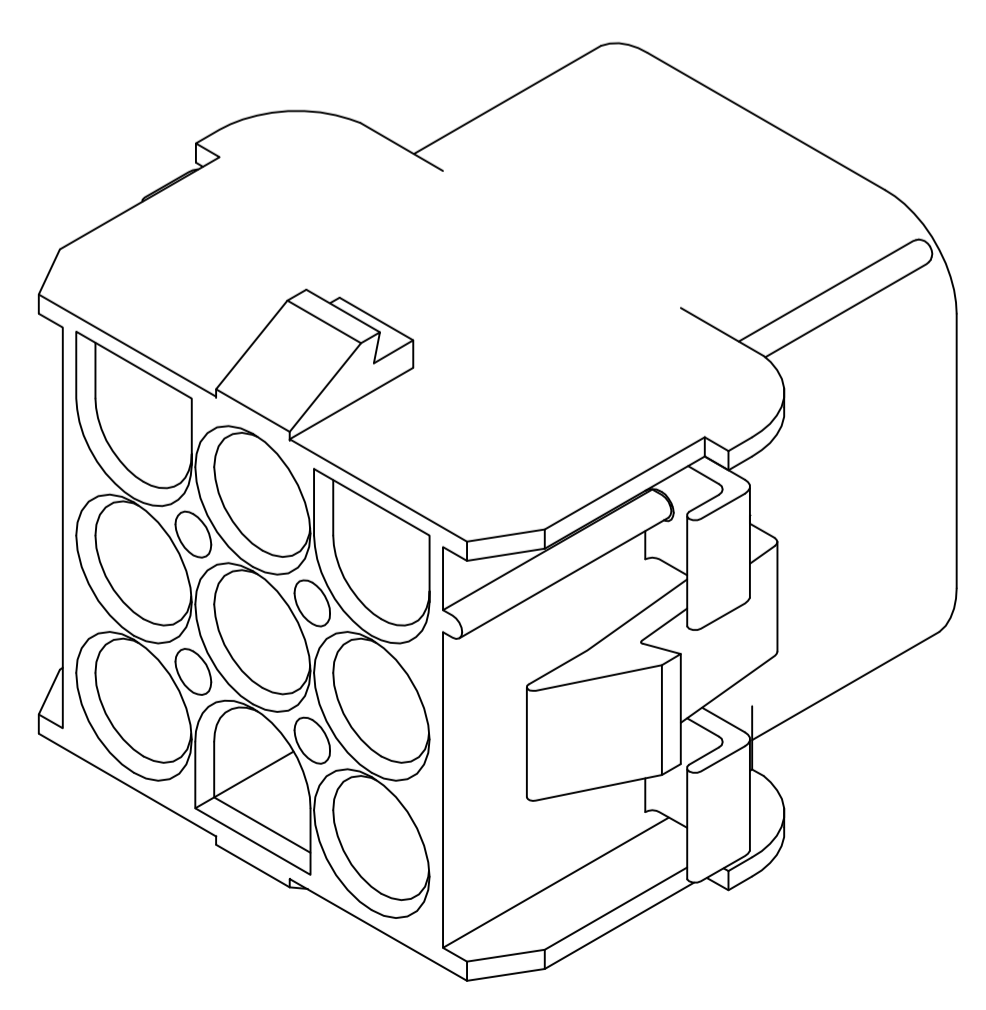
- 1 MATES WITH APPROPRIATE UNIVERSAL MATE-N-LOK™ PLUG.
- 2 RECOMMENDED PANEL THICKNESS 0.76 - 2.29.
- 3 PANEL MUST BE PUNCHED SO THAT THE HOUSING ENTERS THE PANEL IN THE SAME DIRECTION AS THE PUNCH.
- 4 OPTIONAL FOR KEYING HOUSING IN PANEL.
- 5 CIRCUIT NUMBER 1 LOCATION.
- 6 UNDERWRITER RECOGNIZED COMPONENT LOGO AND CSA CERTIFICATION LOGO TO BE LOCATED ONCE EACH SIDE ON SIDE OF HOUSING.
- 7 FOUR RIBS EQUALLY SPACED, NO SPECIFIC ORIENTATION. NO RIBS OR SIX RIBS EQUALLY SPACED, NO SPECIFIC ORIENTATION, OPTIONAL.
- 8 150° C TEMPERATURE RATING FOR THIS HOUSING IS FOR SHORT TERM DURATION. MAX OPERATING TEMPERATURE REMAINS 125° C.
- 9 PHOSPHOR BRONZE CONTACTS SHOULD ALWAYS BE USED WITH THIS HOUSING.



DETAIL A
OPTIONAL CONSTRUCTIONS



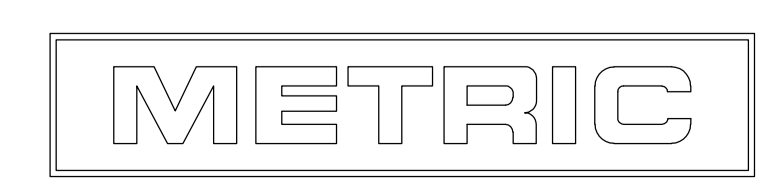
RECOMMENDED PANEL CUT OUT



3-DIMENSIONAL MODEL
NTS

6.35	.250	-	-
4.45	.175	27.43	1.080
2.79	.110	26.43	1.041
2.54	.100	26.16	1.030
2.29	.090	20.70	.815
0.76	.030	20.32	.800
0.38	.015	12.19	.480
0.25	.010	8.13	.320
0.13	.005	6.99	.275
MM	IN	MM	IN

CONVERSION TABLE



794538-1
PART NUMBER

THIS DRAWING IS A CONTROLLED DOCUMENT.

DIMENSIONS: mm	TOLERANCES UNLESS OTHERWISE SPECIFIED: 0. PLC ± - 1. PLC ± - 2. PLC ± 0.13 3. PLC ± - 4. PLC ± - ANGLES ± 0° 30'	DWN: K. WHITAKER 18-NOV-1998 CHK: R. SWING 18-NOV-1998 APVD: D. SELF 18-NOV-1998 PRODUCT SPEC APPLICATION SPEC WEIGHT: - MATERIAL: NYLON, UL 94V-2, BLACK FINISH: -	Tyco Electronics Corporation Harrisburg, PA 17105-3608 CAP, 9 CIRCUIT, UNIVERSAL MATE-N-LOK™ SIZE: A1 CASE CODE: 00779 DRAWING NO: 794538 RESTRICTED TO: - SCALE: 4:1 SHEET: 1 of 1 REV: A1
-------------------	--	--	--

CUSTOMER DRAWING