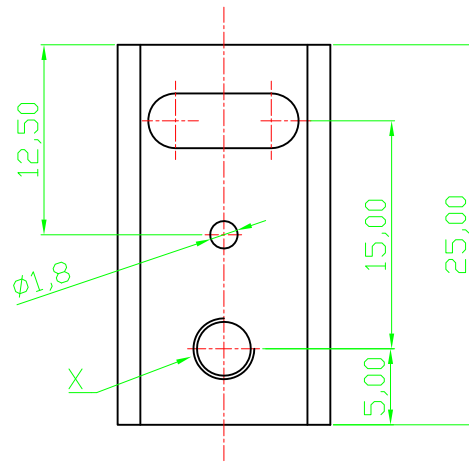
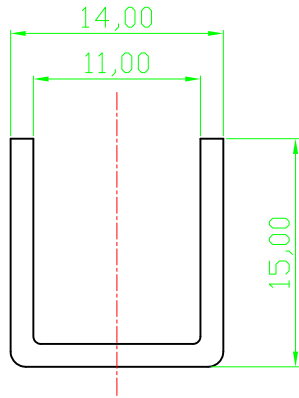


RoHS compliant



Notes
Material:AL1050 T=1.5mm

Option	Dimension x	Version	Thermal resistance
V5074A-T	M2,5	Black anodized	20
V5074B-T	M3,0	Black anodized	20
V5074C-T	$\phi 3,2$	Black anodized	20

Scale	1:1					Date	Name	Customer-No.	
TOLERANCE						Drawn	Schulz		
UNIT	± 0.25					Approved	Plate	ASSMANN WSW-No. V5074A-T V5074B-T V5074C-T	
								Drawing-No.	
		②	Modify P/N	12.10.2010	Dean			ASS 0421 HS	rev02
		①	Drawn	12.10.2009	Schulz			Replace	Sheet
		Id.	Modification	Date	Name				

1

2

3

4

5

6

7