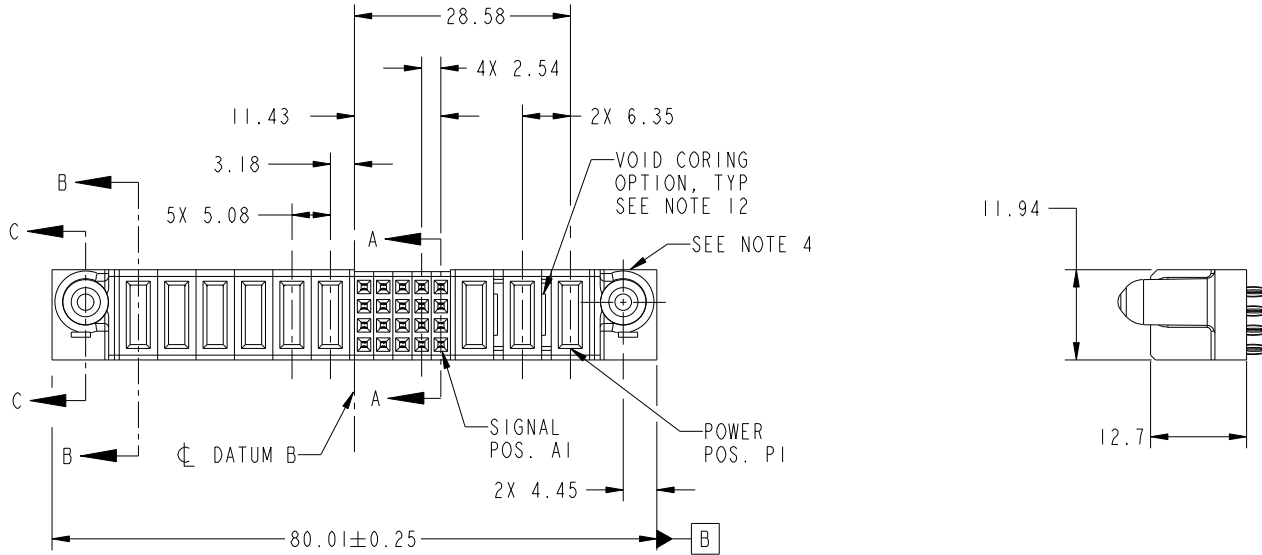


Tous droits strictement réservés. Reproduction ou communication a des tiers interdite sous quelque forme que ce soit sans autorisation écrite du propriétaire. Propriété de c.FCI. Droits de reproduction FCI.

All rights strictly reserved. Reproduction or issue to third parties in any form whatever is not permitted without written authority from the proprietor. Property of FCI. Copyright FCI.



PRODUCT NO.	ROWS	POWER							SIGNAL					POWER			E1	
		E2	P9	P8	P7	P6	P5	P4	5	4	3	2	1	P3	P2	P1		
51940-255-- NOTE: 3	D C B A		PF	PF	PF	PC	PC	PC	F	F	F	F	F	F	PC	PF	PF	



CODE	DIM "M" MATING LENGTH	CONTACT TYPE
PC	[1.07]	POWER
PF	[2.34]	POWER
F	[N/A]	SIGNAL

mat'l code				tolerances unless otherwise specified		CUSTOMER			
lir	ecn no.	dr	date	linear	0.X ± 0.5	COPY		www.fciconnect.com	
A	DG08-0169	W D	06/30/08	linear	0.XX ± 0.25	projection		title	
				angles	0.XXX ± 0.1			3P + 20S + 6P	
				dr	0° ± 2°	MM		VERTICAL PRESS FIT RECEPT	
				enr	Warren Du 06/27/08	scale		product family	
				chr	Jerome Chen 06/27/08	1:1		PwrBlade	
				appd	Gary Hsieh 06/27/08			code	
					Joseph Hsia 06/27/08			213	
sheet index	revision sheet	A	A	A	A			sheet	
		1	2	3	4			1 of 4	
								product size	
								A	
								dwg no	
								51940-255	
								cage code	
								28556	

A

B

A

B

1 | 2

Pro/E

PDM: Rev: A

STATUS: Released

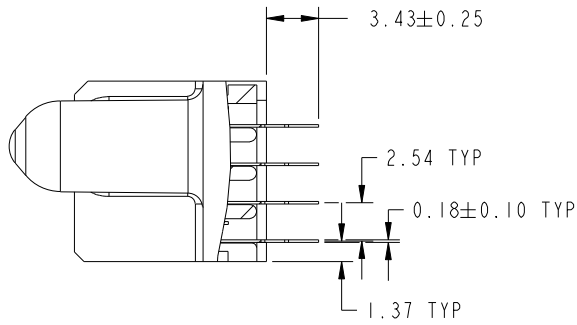
Printed: Dec 20, 2010

Tous droits strictement reserves. Reproduction ou communication a des tiers interdite sous quelque forme que ce soit sans autorisation ecrite du proprietaire. Propriete de c FCI. Droits de reproduction FCI.

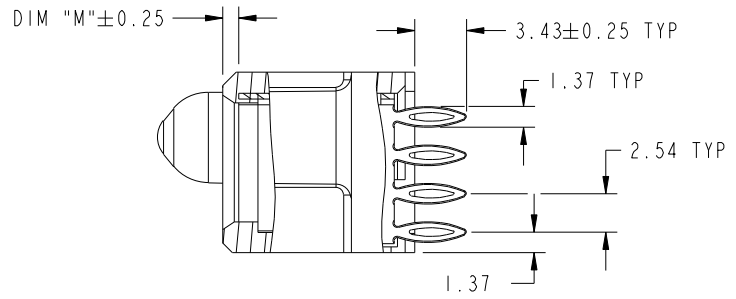
All rights strictly reserved. Reproduction or issue to third parties in any form whatever is not permitted without written authority from the proprietor. Property of FCI. Copyright FCI.



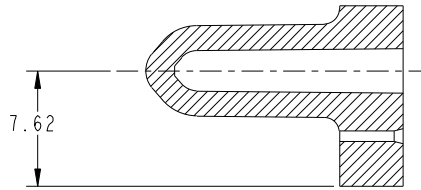
PRODUCT NUMBER
51940-255--
NOTE: 3



SECTION A-A
SCALE 2:1



SECTION B-B
SCALE 2:1



SECTION C-C
SCALE 2:1

mat'l code				tolerances unless otherwise specified		CUSTOMER		 www.fciconnect.com	
lir	ecn no.	dr	date	linear	0.X ± 0.5	COPY		title	
A					0.XX ± 0.25	projection		3P + 20S + 6P	
					0.XXX ± 0.1			VERTICAL PRESS FIT RECEIPT	
				angles	0° ± 2°			product family	
				dr	Warren Du 06/27/08	MM		PwrBlade	
				enr	Jerome Chen 06/27/08			code	
				chr	Gary Hsieh 06/27/08	scale		213	
				appd	Joseph Hsia 06/27/08	1:1		sheet	
sheet index		revision sheet				A		51940-255	
								2 of 4	

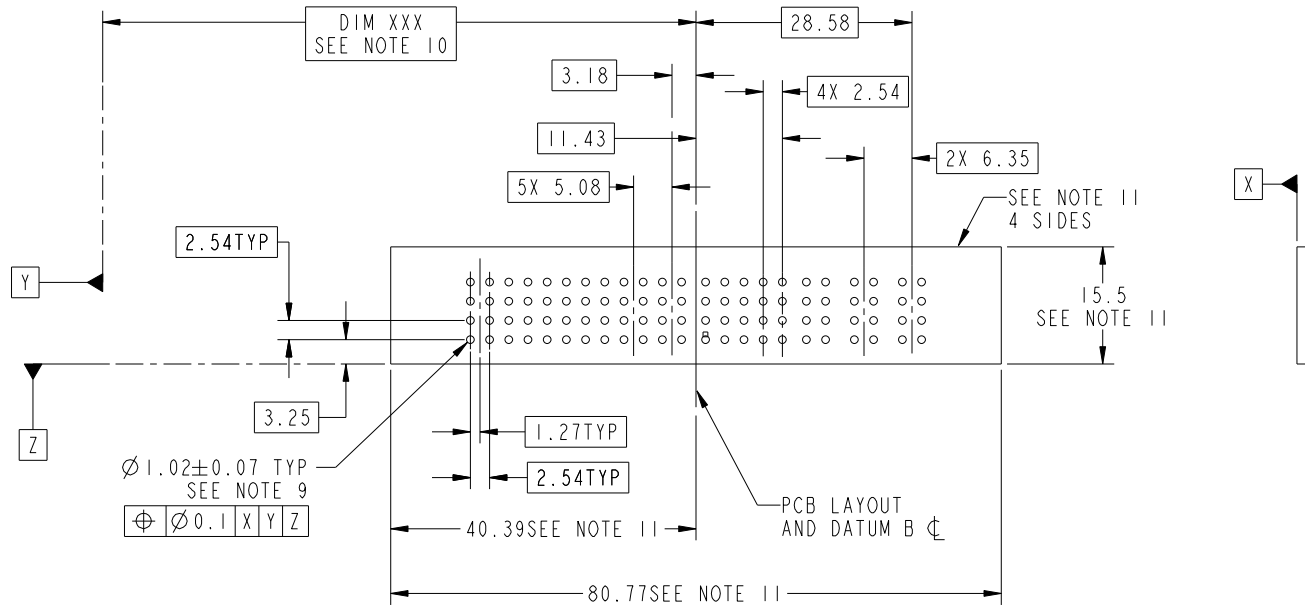
cage code 22556

Tous droits strictement reserves. Reproduction ou communication a des tiers interdite sous quelque forme que ce soit sans autorisation ecrite du proprietaire. Propriete de c.FCI. Droits de reproduction FCI.

All rights strictly reserved. Reproduction or issue to third parties in any form whatever is not permitted without written authority from the proprietor. Property of FCI. Copyright FCI.

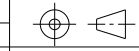


PRODUCT NUMBER
51940-255--
NOTE: 3



RECOMMENDED PCB LAYOUT

mat'l code				tolerances unless otherwise specified		CUSTOMER		 www.fciconnect.com	
lir	ecn no.	dr	date	linear	0.X ±0.5	COPY		title	
A				linear	0.XX ±0.25	projection		3P + 20S + 6P	
				angles	0.XXX ±0.1			VERTICAL PRESS FIT RECEPT	
				dr	Warren Du 06/27/08	MM		product family PwrBlade	
				enrg	Jerome Chen 06/27/08	scale		code	
				chr	Gary Hsieh 06/27/08	1:1		213	
				appd	Joseph Hsia 06/27/08	A		sheet	
sheet index		revision sheet				size		3 of 4	
						A		51940-255	



cage code 22556

PDM: Rev: A

STATUS: Released

Printed: Dec 20, 2010

Tous droits strictement reserves. Reproduction ou communication a des tiers interdite sous quelque forme que ce soit sans autorisation écrite du propriétaire. Propriete de c.FCI. Droits de reproduction FCI.

All rights strictly reserved. Reproduction or issue to third parties in any form whatever is not permitted without written authority from the proprietor. Property of FCI. Copyright FCI.



1 | 2

3

4

PRODUCT NUMBER

51940-255--
NOTE: 3

NOTES:

1. DIMENSIONS AND TOLERANCES ARE IN ACCORDANCE WITH ASME Y14.5M, 1994 UNLESS OTHERWISE SPECIFIED.

CONNECTOR NOTES:

- ② HOUSING MATERIAL: UL 94 V-0 GLASS FILLED HIGH-TEMP THERMOPLASTIC
POWER CONTACT MATERIAL: COPPER ALLOY
SIGNAL PIN MATERIAL: COPPER ALLOY
- 3. PLATING SPEC.
51940-255, 51940-255LF PLATING SPEC. WAS SHOWN IN THE PRINT OF 10064183.
- ④ MANUFACTURER'S NAME, P/N, AND DATE CODE TO APPEAR ON THIS SURFACE.
- 5. PRODUCT SPECIFICATION GS-12-149.
APPLICATION SPECIFICATION BUS-20-067.
- 6. PACKAGED IN TRAYS.

PCB NOTES:

- 7. ALL HOLE DIAMETERS ARE FINISHED HOLE SIZE.
- ⑧ MOUNTING HOLES, WHERE APPLICABLE, ARE UNPLATED.
- ⑨ $\varnothing 1.151 \pm 0.025$ DRILLED HOLES PLATED WITH
0.008 MIN SnPb OR Sn OVER 0.03
TO 0.08 Cu PLATING TO ACHIEVE
 $\varnothing 1.02 \pm 0.07$ HOLE.
- ⑩ "DIM XXX" TO BE DETERMINED BY THE CUSTOMER.
- ⑪ CONNECTOR KEEP-OUT ZONE.
- 12. THE VOID CORING IN BETWEEN POWER MODULES, SIGNAL MODULES AND END MODULES ARE OPTIONAL AND THE SHAPE MAY BE DIFFERENT FOR OPTIMIZE THE MOLDING PROCESS. THE VOID CORING WILL NOT EFFECT TO PRODUCT FUNCTION.

mat'l code				tolerances unless otherwise specified		CUSTOMER		FCI		www.fciconnect.com	
lfr	ecn no.	dr	date	linear	0.X ± 0.5		COPY		title 3P + 20S + 6P VERTICAL PRESS FIT RECEIPT		
A					0.XX ± 0.25		projection				
					0.XXX ± 0.1						
				angles	0° ± 2°				product family PwrBlade code		
				dr	Warren Du	06/27/08	scale		size	dwg no	213
				enrg	Jerome Chen	06/27/08	1:1		A	51940-255	sheet
				chr	Gary Hsieh	06/27/08					4 of 4
				appd	Joseph Hsia	06/27/08					
sheet index	revision sheet										

1 | 2

Pro/E

PDM: Rev: A

STAT: Released

Printed: Dec 20, 2010

cage code 22556

4