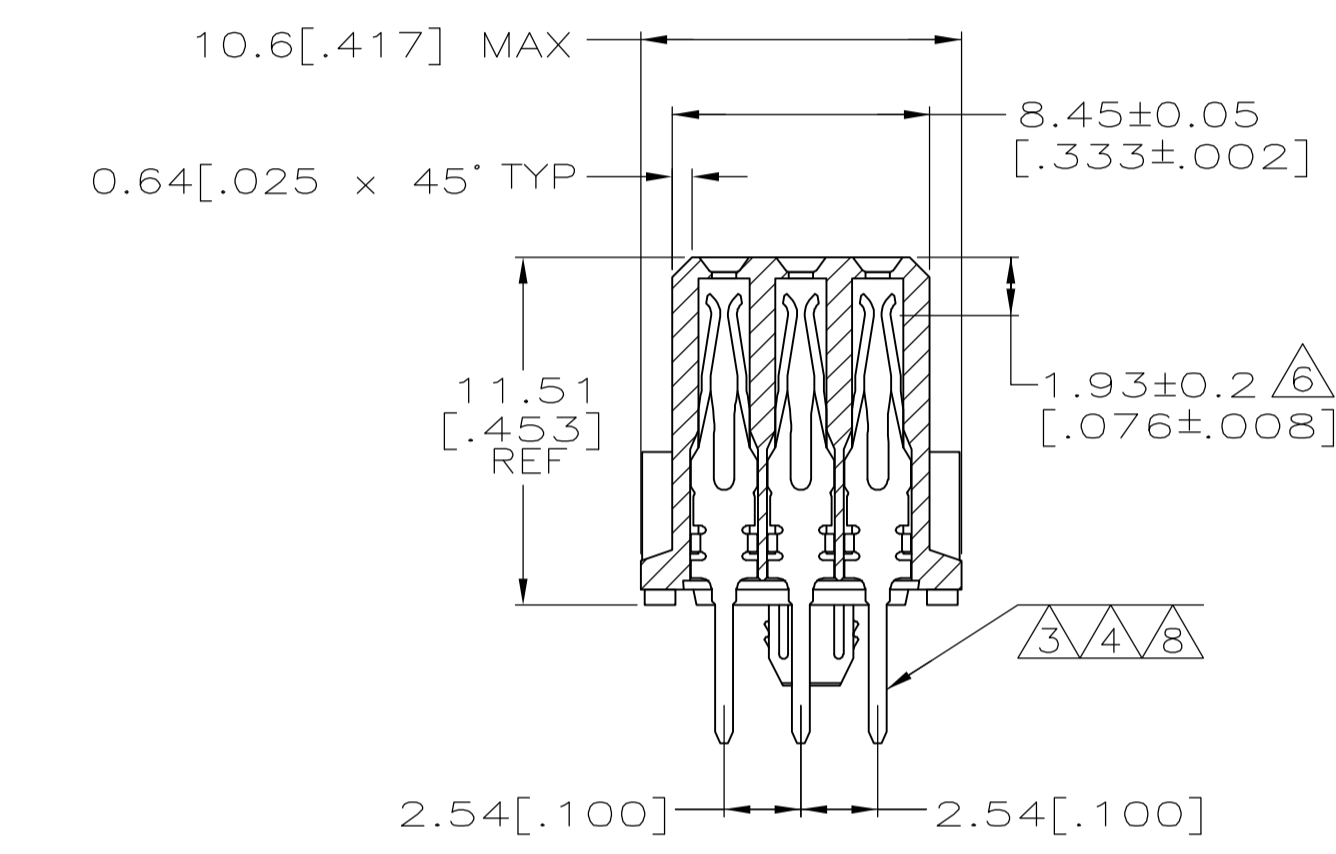
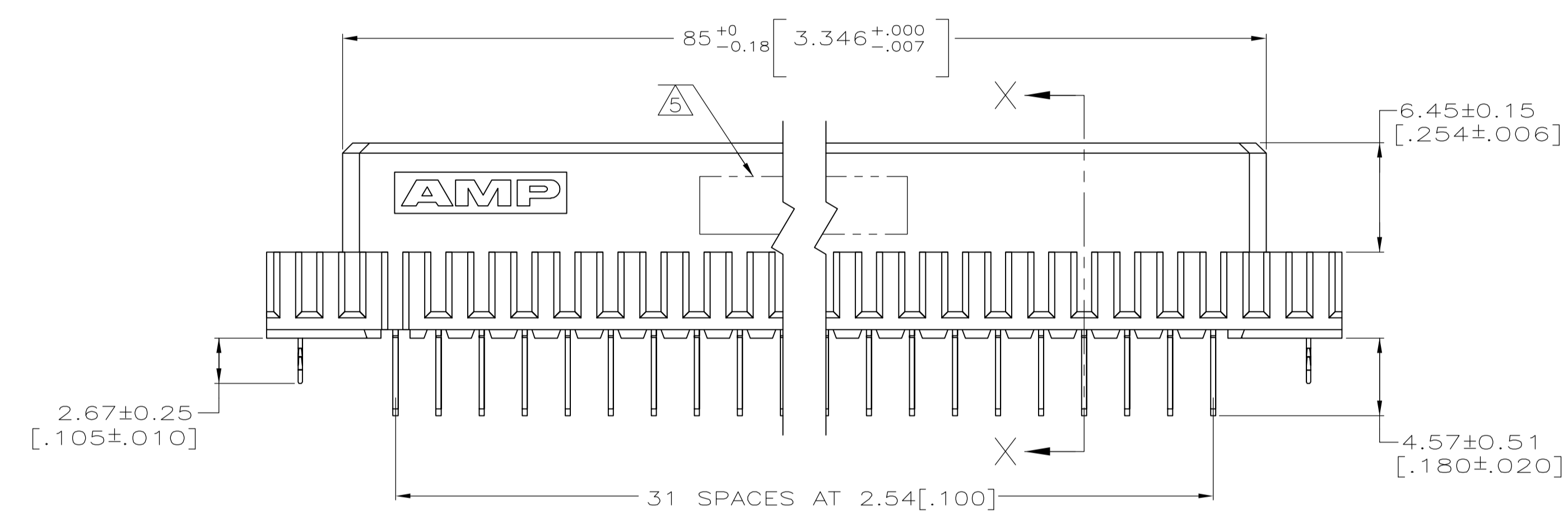
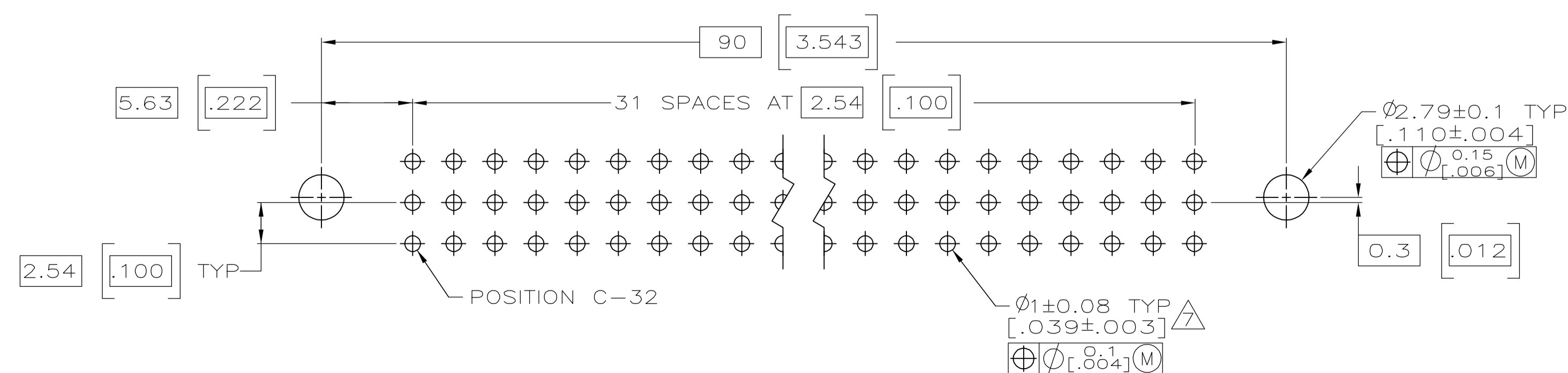


- 1 HOUSING MATERIAL: GLASS-FILLED POLYESTER. COLOR: GRAY.
- 2 CONTACT MATERIAL: PHOSPHOR BRONZE.
- 3 CONTACT FINISH: DIN 41612 CLASS 2 IN CONTACT AREA. TIN-LEAD ON POSTS.
- 4 CONTACT FINISH: DIN 41612 CLASS 3 IN CONTACT AREA. TIN-LEAD ON POSTS.
- 5 PART NUMBER, DATE CODE IDENTIFICATION, CSA LOGO IN THIS APPROXIMATE AREA.
- 6 POINT OF MEASUREMENT FOR GOLD.
- 7 RECOMMENDED HOLE SIZE FOR MANUAL APPLICATION OF CONNECTOR ONTO PC BOARD.
- 8 CONTACT FINISH: 0.00076[.000030] GOLD IN CONTACT AREA. 0.00127[.000050] NICKEL UNDERPLATE ALL OVER. TIN-LEAD ON POSTS.



SECTION X-X



PC BOARD LAYOUT

OBSOLETE	4	1-32	C	32	536412-9
		1-32	B	32	
	3	1-32	A	32	536412-5
		1-32	C	32	
8	1-32	C	32	536412-4	
	1-32	B	32		
		1-32	A	32	
NOTES		POSITIONS LOADED	ROWS	NO. OF LOADED POSITION	ASSY PART NUMBER

THIS DRAWING IS A CONTROLLED DOCUMENT.

DIMENSIONS: mm [INCHES]	TOLERANCES UNLESS OTHERWISE SPECIFIED:	APPROVED: R. PATTERSON	DATE: 8/16/92	NAME: R. PATTERSON	DATE: 8/16/92	PRODUCT SPEC: PRODUCT SPEC	APPLICATION SPEC: APPLICATION SPEC	SIZE: A1	SCALE: 4:1	WEIGHT: --	CAGE CODE: 00779	DRAWING NO: 536412	RESTRICTED TO: --
0 PLC ± -	1 PLC ± -	2 PLC ± -	3 PLC ± 0.13[.005]	4 PLC ± -	ANGLES ± -	FINISH: 1 2 3 4 8	MATERIAL: 1 2	CUSTOMER DRAWING	SHEET 1 OF 1	REV G			

tyco Electronics  
 Tyco Electronics Corporation  
 Harrisburg, PA 17105-3608

RECEPTACLE ASSEMBLY, EUROCARD, TYPE C WITH BOARD LOCKS, 96 POSITION