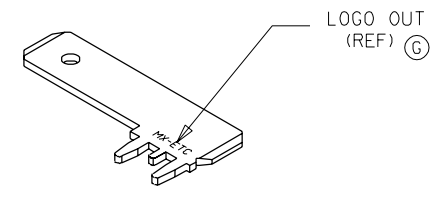
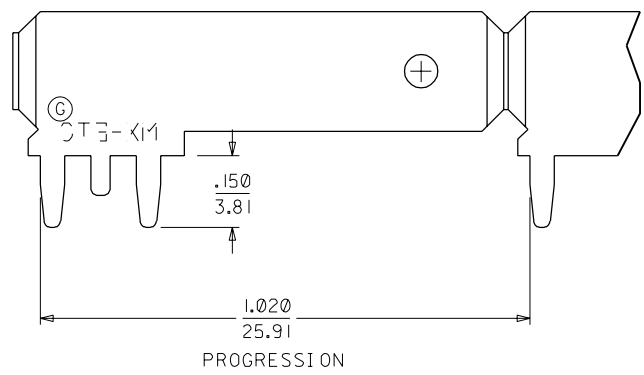
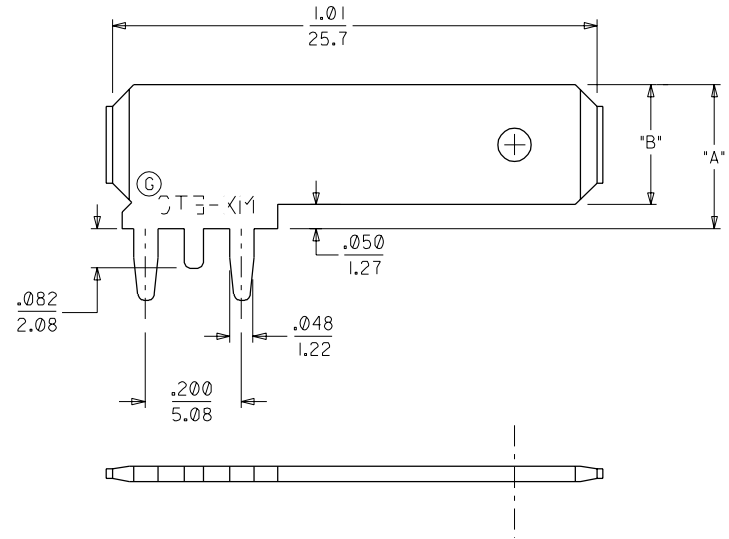


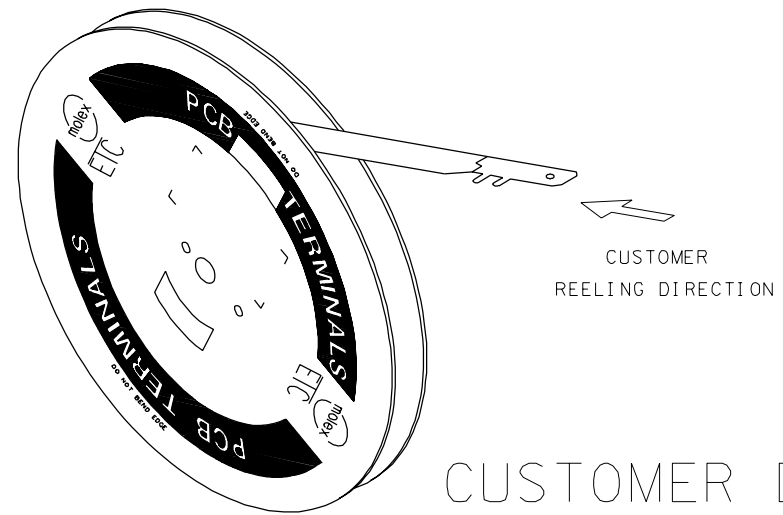
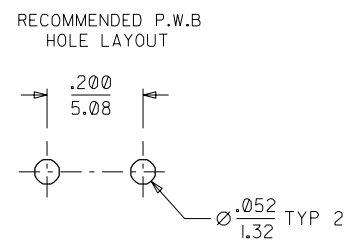
MATERIAL NUMBER	ENGINEERING NUMBER	CUSTOMER NUMBER	CARRIER	PLATING SEE NOTES 6 & 7.	DIMENSION "A"	DIMENSION "B"
197114201	19711-4201	-	LOOSE	TIN/LEAD	.300	.250
197114203	19711-4203	-	STRIP	TIN/LEAD	.300	.250



ISOMETRIC VIEW



PROGRESSION



CUSTOMER DRAWING

- NOTES:
1. BARE EDGES PERMISSIBLE AT CARRIER CUT OFF.
 2. MATERIAL: BRASS.
 3. MATERIAL THICKNESS: .032 ±.001/(0.813 ±0.03)
 4. TAB CONFORMS TO NEMA SPECIFICATIONS.
 5. ALL DIMENSIONS AND NOTES ARE REFERENCE DIMENSIONS ONLY UNLESS NOTED.
 6. PLATING: THICKNESS: 90/10 TIN/LEAD: 150 μin(3.81 μm) MIN THICKNESS.
 7. FINISH: MATTE

MOVED LOGO FARSD EC No. ETC2002-0182 DRAWING: 02/01/08 CHK: HEB 02/01/08 APPR: RWD 02/01/08	QUALITY SYMBOLS MAJOR = 0 CRITICAL = 0	GENERAL TOLERANCES: (UNLESS SPECIFIED) mm INCH		SCALE: 4:1	DESIGN UNITS: <input type="checkbox"/> mm <input checked="" type="checkbox"/> INCH	DIMENSIONS: <input type="checkbox"/> mm <input checked="" type="checkbox"/> INCH <input type="checkbox"/> mm ONLY	SHT REV REVISE ON CAD ONLY	
		4 PLACES ±0. ±. 3 PLACES ±0. ±.005 2 PLACES ±0.13 ±.01 1 PLACE ±0.25 ±.		DRAWN BY & DATE JH 98/04/28	TITLE: QUICK DISCONNECT PCB MOUNTABLE .250 X .032 TAB			
REV DESCRIPTION	DRAFT WHERE APPLICABLE MUST REMAIN WITHIN DIMENSIONS	ANGULAR: ± 1/2 °		CHECKED BY & DATE RWD 98/04/28	APPROVED BY & DATE RWD 98/04/28			
		CAD FILENAME SD-19711-420 .DGN		MATERIAL NO. SEE CHART	DRAWING NO. SD-19711-420	SHEET NO. 1 OF 1		
THIS DRAWING CONTAINS INFORMATION THAT IS PROPRIETARY TO MOLEX INCORPORATED AND SHOULD NOT BE USED WITHOUT WRITTEN PERMISSION.				MOLEX INCORPORATED				SIZE C