

Audio Hub Codec for Multimedia Phones

DESCRIPTION

The WM8993 is a highly integrated ultra-low power hi-fi CODEC designed for portable devices such as multimedia phones.

A stereo 1W/channel speaker driver can operate in class D or AB mode. Low leakage and high PSRR across the audio band enable direct battery connection for the speaker supply.

Class W headphone drivers provide a dramatic reduction in playback power and are ground-referenced. Active ground loop noise rejection and DC offset correction help prevent pop noise and ground noise from degrading headphone output quality.

Powerful mixing capability allows the device to support a huge range of architectures and use cases. A highly flexible input configuration supports multiple microphone or line inputs (mono or stereo, single-ended or differential).

Fully differential internal architecture and on-chip RF noise filters ensure a very high degree of noise immunity.

ReTune™ Mobile parametric EQ with fully programmable coefficients is integrated for optimization of speaker characteristics. Programmable dynamic range control is also available for maximizing loudness, protecting speakers from clipping and preventing premature shutdown due to battery droop.

The WM8993 is supplied in very small and thin 48-ball W-CSP package, ideal for portable systems.

FEATURES

- 100dB SNR during DAC playback ('A' weighted)
- Low power, low noise MIC interface
- Class D or AB stereo speaker driver
 - Stereo1W into 8Ω BTL speaker at <1% THD
 - Mono 2W into 4Ω BTL speaker
- ReTune Mobile parametric equalizer
- Dynamic range controller
- Low power Class W headphone drivers
 - Integrated charge pump and DC offset correction
 - 5mW total power for DAC playback to headphones
- Digital audio interface
 - All standard data formats and 2-channel TDM supported
 - All standard sample rates from 8kHz to 48kHz
- Low power FLL
 - Provides all necessary internal clocks
 - 32kHz to 27MHz input frequency
 - Free-running mode for class D and charge pump
- 4 highly flexible line outputs (single-ended or differential)
- Dedicated earpiece driver
- "Direct voice" and "Direct DAC" paths to outputs
 - Low noise paths bypass all internal mixers
 - Low power consumption
- Active noise reduction
 - DC offset correction removes pops and clicks
 - Ground loop noise cancellation
- 48-ball W-CSP package (3.65x3.55x0.546mm, 0.5mm pitch)

APPLICATIONS

- Multimedia phones

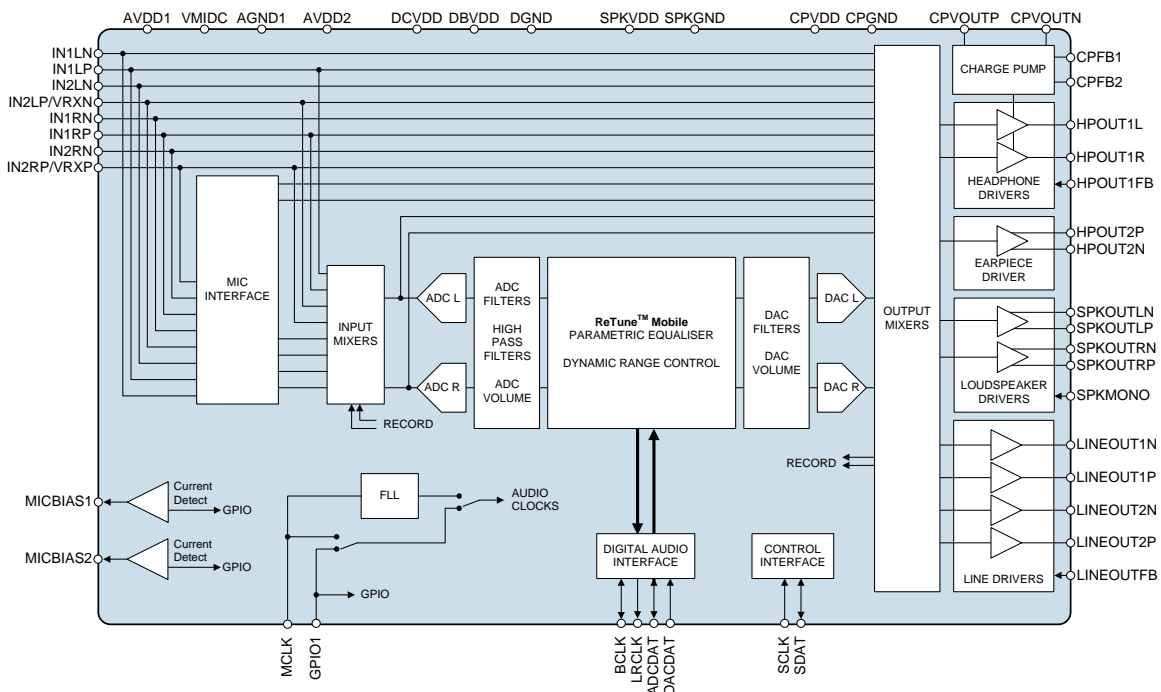


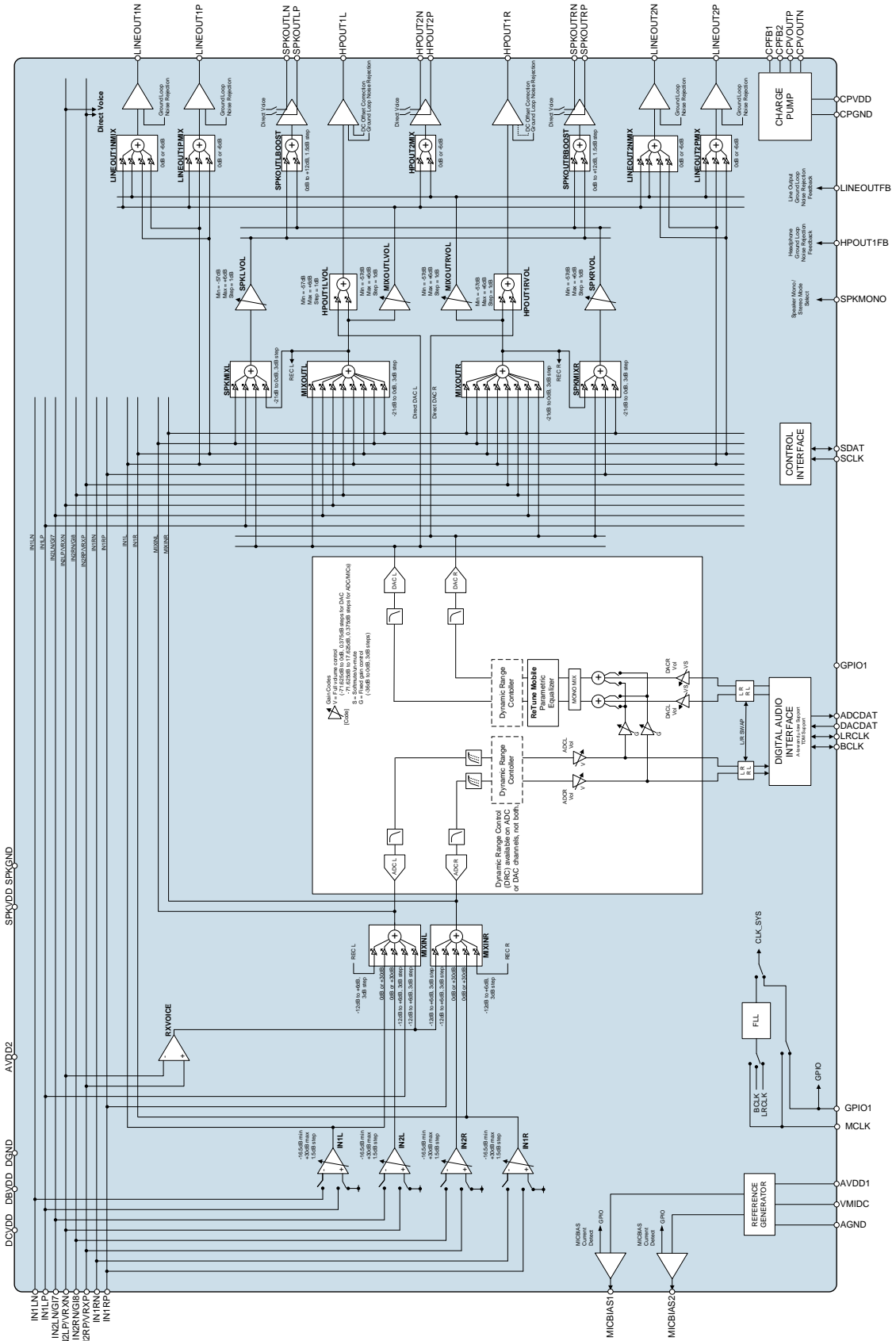
TABLE OF CONTENTS

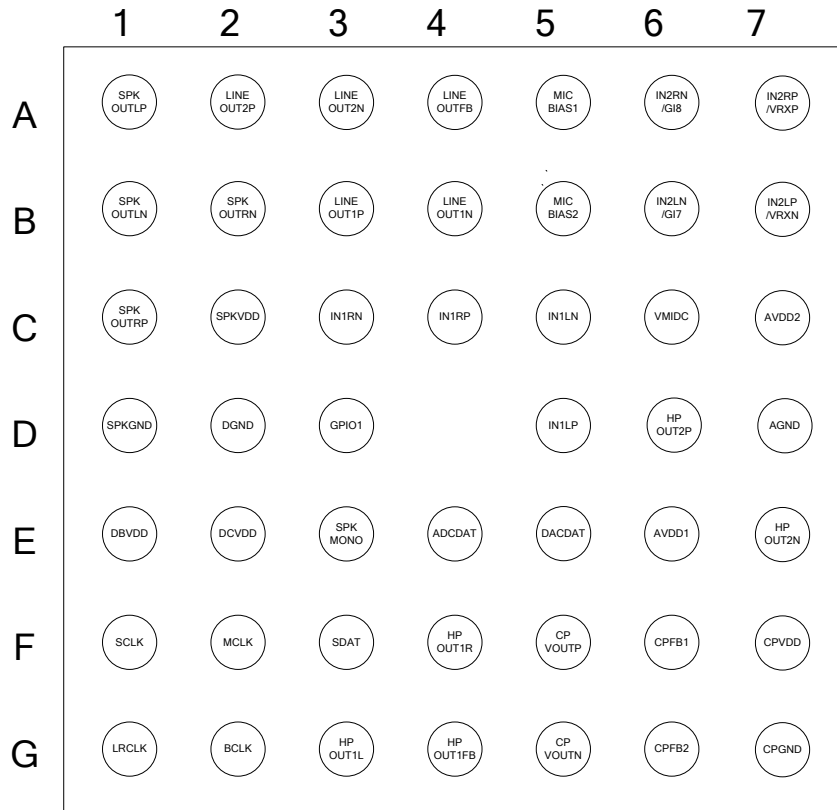
| | |
|--|-----------|
| DESCRIPTION | 1 |
| FEATURES | 1 |
| APPLICATIONS | 1 |
| TABLE OF CONTENTS | 2 |
| BLOCK DIAGRAM | 5 |
| PIN CONFIGURATION | 6 |
| ORDERING INFORMATION | 6 |
| PIN DESCRIPTION | 6 |
| ABSOLUTE MAXIMUM RATINGS | 8 |
| RECOMMENDED OPERATING CONDITIONS | 8 |
| THERMAL PERFORMANCE | 9 |
| ELECTRICAL CHARACTERISTICS | 10 |
| TERMINOLOGY | 23 |
| TYPICAL PERFORMANCE | 24 |
| POWER CONSUMPTION | 24 |
| AUDIO SIGNAL PATHS DIAGRAM | 25 |
| SIGNAL TIMING REQUIREMENTS | 26 |
| MASTER CLOCK | 26 |
| AUDIO INTERFACE TIMING | 27 |
| MASTER MODE | 27 |
| SLAVE MODE..... | 28 |
| TDM MODE | 29 |
| CONTROL INTERFACE TIMING | 30 |
| DEVICE DESCRIPTION | 31 |
| INTRODUCTION..... | 31 |
| INPUT SIGNAL PATH..... | 33 |
| MICROPHONE INPUTS | 34 |
| MICROPHONE BIAS CONTROL | 34 |
| MICROPHONE CURRENT DETECT | 35 |
| LINE AND VOICE CODEC INPUTS | 35 |
| INPUT PGA ENABLE | 36 |
| INPUT PGA CONFIGURATION | 37 |
| INPUT PGA VOLUME CONTROL..... | 38 |
| INPUT MIXER ENABLE..... | 40 |
| INPUT MIXER CONFIGURATION AND VOLUME CONTROL | 40 |
| ANALOGUE TO DIGITAL CONVERTER (ADC)..... | 43 |
| ADC DIGITAL VOLUME CONTROL..... | 43 |
| HIGH PASS FILTER..... | 45 |
| DIGITAL MIXING..... | 46 |
| DIGITAL MIXING PATHS | 46 |
| DAC INTERFACE VOLUME BOOST | 48 |
| DIGITAL SIDETONE..... | 48 |
| DYNAMIC RANGE CONTROL (DRC) | 49 |
| COMPRESSION/LIMITING CAPABILITIES | 49 |
| GAIN LIMITS..... | 51 |
| DYNAMIC CHARACTERISTICS | 52 |
| ANTI-CLIP CONTROL..... | 52 |
| QUICK RELEASE CONTROL | 53 |
| GAIN SMOOTHING..... | 53 |
| INITIALISATION | 54 |

| | |
|--|------------|
| RETUNE MOBILE PARAMETRIC EQUALIZER (EQ) | 55 |
| DEFAULT MODE (5-BAND PARAMETRIC EQ) | 55 |
| RETUNE MOBILE MODE | 56 |
| EQ FILTER CHARACTERISTICS | 56 |
| DIGITAL TO ANALOGUE CONVERTER (DAC) | 58 |
| DAC DIGITAL VOLUME CONTROL | 58 |
| DAC SOFT MUTE AND SOFT UN-MUTE | 60 |
| DAC MONO MIX | 61 |
| DAC DE-EMPHASIS | 61 |
| DAC SLOPING STOPBAND FILTER | 62 |
| OUTPUT SIGNAL PATH | 63 |
| OUTPUT SIGNAL PATHS ENABLE | 64 |
| HEADPHONE SIGNAL PATHS ENABLE | 65 |
| OUTPUT MIXER CONTROL | 67 |
| SPEAKER MIXER CONTROL | 70 |
| OUTPUT SIGNAL PATH VOLUME CONTROL | 71 |
| SPEAKER BOOST MIXER | 76 |
| EARPIECE DRIVER MIXER | 77 |
| LINE OUTPUT MIXERS | 77 |
| CHARGE PUMP | 81 |
| DC SERVO | 83 |
| DC SERVO ENABLE AND START-UP | 83 |
| DC SERVO ACTIVE MODES | 85 |
| DC SERVO READBACK | 86 |
| ANALOGUE OUTPUTS | 87 |
| SPEAKER OUTPUT CONFIGURATIONS | 87 |
| HEADPHONE OUTPUT CONFIGURATIONS | 90 |
| EARPIECE DRIVER OUTPUT CONFIGURATIONS | 91 |
| LINE OUTPUT CONFIGURATIONS | 91 |
| GENERAL PURPOSE INPUT/OUTPUT | 94 |
| GPIO1 CONTROL | 94 |
| BUTTON DETECT | 95 |
| ACCESSORY DETECTION | 96 |
| CLOCK OUTPUT | 99 |
| FLL LOCK STATUS OUTPUT | 99 |
| TEMPERATURE SENSOR OUTPUT | 100 |
| CONTROL WRITE SEQUENCER STATUS | 101 |
| LOGIC '1' AND LOGIC '0' OUTPUT | 102 |
| INTERRUPTS | 102 |
| GPIO SUMMARY | 103 |
| DIGITAL AUDIO INTERFACE | 105 |
| MASTER AND SLAVE MODE OPERATION | 105 |
| OPERATION WITH TDM | 106 |
| BCLK FREQUENCY | 107 |
| AUDIO DATA FORMATS (NORMAL MODE) | 107 |
| AUDIO DATA FORMATS (TDM MODE) | 109 |
| DIGITAL AUDIO INTERFACE CONTROL | 111 |
| AUDIO INTERFACE OUTPUT TRI-STATE | 112 |
| BCLK AND LRCLK CONTROL | 112 |
| COMPANDING | 114 |
| LOOPBACK | 116 |
| DIGITAL PULL-UP AND PULL-DOWN | 116 |
| CLOCKING AND SAMPLE RATES | 117 |
| CLK_SYS CONTROL | 119 |
| AUTOMATIC CLOCKING CONFIGURATION | 120 |

| | |
|---|------------|
| ADC / DAC CLOCK CONTROL..... | 121 |
| 256K, DC SERVO, CLASS D CLOCK CONTROL | 122 |
| OPCLK CONTROL | 123 |
| TOCLK CONTROL | 124 |
| BCLK AND LRCLK CONTROL..... | 124 |
| FREQUENCY LOCKED LOOP (FLL) | 125 |
| FREE-RUNNING FLL CLOCK..... | 128 |
| EXAMPLE FLL CALCULATION..... | 128 |
| EXAMPLE FLL SETTINGS..... | 129 |
| CONTROL INTERFACE..... | 130 |
| CONTROL WRITE SEQUENCER..... | 133 |
| INITIATING A SEQUENCE..... | 133 |
| PROGRAMMING A SEQUENCE | 134 |
| DEFAULT SEQUENCES..... | 136 |
| POP SUPPRESSION CONTROL | 143 |
| DISABLED LINE OUTPUT CONTROL..... | 143 |
| LINE OUTPUT DISCHARGE CONTROL | 144 |
| VMID REFERENCE DISCHARGE CONTROL..... | 144 |
| INPUT VMID CLAMPS | 144 |
| REFERENCE VOLTAGES AND MASTER BIAS | 145 |
| POWER MANAGEMENT | 146 |
| POWER ON RESET..... | 150 |
| QUICK START-UP AND SHUTDOWN | 152 |
| SOFTWARE RESET AND DEVICE ID..... | 153 |
| THERMAL SHUTDOWN | 153 |
| REGISTER MAP | 154 |
| REGISTER BITS BY ADDRESS | 159 |
| DIGITAL FILTER CHARACTERISTICS | 205 |
| ADC FILTER RESPONSES | 206 |
| ADC HIGH PASS FILTER RESPONSES..... | 206 |
| DAC FILTER RESPONSES | 207 |
| DE-EMPHASIS FILTER RESPONSES..... | 208 |
| APPLICATIONS INFORMATION | 209 |
| RECOMMENDED EXTERNAL COMPONENTS | 209 |
| AUDIO INPUT PATHS..... | 209 |
| HEADPHONE OUTPUT PATH..... | 211 |
| EARPIECE DRIVER OUTPUT PATH..... | 211 |
| LINE OUTPUT PATHS | 211 |
| POWER SUPPLY DECOUPLING | 212 |
| CHARGE PUMP COMPONENTS | 213 |
| MICROPHONE BIAS CIRCUIT | 213 |
| CLASS D SPEAKER CONNECTIONS..... | 214 |
| RECOMMENDED EXTERNAL COMPONENTS DIAGRAM | 216 |
| PCB LAYOUT CONSIDERATIONS | 218 |
| CLASS D LOUDSPEAKER CONNECTION | 218 |
| PACKAGE DIMENSIONS..... | 219 |
| IMPORTANT NOTICE | 220 |
| REVISION HISTORY | 221 |

BLOCK DIAGRAM



PIN CONFIGURATION

TOP VIEW
ORDERING INFORMATION

| ORDER CODE | TEMPERATURE RANGE | PACKAGE | MOISTURE SENSITIVITY LEVEL | PEAK SOLDERING TEMPERATURE |
|--------------|-------------------|---|----------------------------|----------------------------|
| WM8993ECS/RV | -40°C to +85°C | 48-ball W-CSP (Pb-free, Tape and reel) | MSL1 | 260°C |

Note:

Reel quantity = 3500

PIN DESCRIPTION

| PIN NO | NAME | TYPE | DESCRIPTION |
|--------|-----------|-----------------------------------|---|
| A5 | MICBIAS1 | Analogue Output | Microphone bias |
| B5 | MICBIAS2 | Analogue Output | Microphone bias |
| C5 | IN1LN | Analogue Input | Left channel single-ended MIC input / Left channel negative differential MIC input |
| D5 | IN1LP | Analogue Input | Left channel line input / Left channel positive differential MIC input |
| B6 | IN2LN/GI7 | Analogue Input / Digital Input | Left channel line input / Left channel negative differential MIC input / |

| PIN NO | NAME | TYPE | DESCRIPTION |
|--------|------------|-----------------------------------|---|
| B7 | IN2LP/VRXN | Analogue Input | Left channel line input / Left channel positive differential MIC input / Mono differential negative input (RXVOICE -) |
| C3 | IN1RN | Analogue Input | Right channel single-ended MIC input / Right channel negative differential MIC input |
| C4 | IN1RP | Analogue Input | Right channel line input / Right channel positive differential MIC input |
| A6 | IN2RN/GI8 | Analogue Input / Digital Input | Right channel line input / Right channel negative differential MIC input / |
| A7 | IN2RP/VRXP | Analogue Input | Left channel line input / Left channel positive differential MIC input / Mono differential positive input (RXVOICE +) |
| E2 | DCVDD | Supply | Digital core supply |
| D2 | DGND | Supply | Digital ground (Return path for both DCVDD and DBVDD) |
| E1 | DBVDD | Supply | Digital buffer (I/O) supply |
| E6 | AVDD1 | Supply | Analogue core supply |
| C7 | AVDD2 | Supply | Analogue class D and FLL supply |
| D7 | AGND | Supply | Analogue ground (Return path for AVDD1) |
| F7 | CPVDD | Supply | Charge pump supply |
| G7 | CPGND | Supply | Charge pump ground (Return path for CPVDD) |
| C2 | SPKVDD | Supply | Supply for speaker driver |
| D1 | SPKGND | Supply | Ground for speaker driver (Return path from SPKVDD) |
| F5 | CPVOUTP | Analogue Output | Charge pump positive supply decoupling pin (HPOUT1L, HPOUT1R) |
| G5 | CPVOUTN | Analogue Output | Charge pump negative supply decoupling pin (HPOUT1L, HPOUT1R) |
| F6 | CPFB1 | Analogue Output | Charge pump flyback capacitor pin |
| G6 | CPFB2 | Analogue Output | Charge pump flyback capacitor pin |
| F2 | MCLK | Digital Input | Master clock |
| G2 | BCLK | Digital Input / Output | Audio interface bit clock |
| G1 | LRCLK | Digital Input / Output | Audio interface left / right clock |
| E5 | DACDAT | Digital Input | DAC digital audio data |
| E4 | ADCDAT | Digital Output | ADC digital audio data |
| F1 | SCLK | Digital Input | Control interface clock input |
| F3 | SDAT | Digital Input / Output | Control interface data input and output / 2-wire acknowledge output |
| A1 | SPKOUTLP | Analogue Output | Left speaker positive output |
| B1 | SPKOUTLN | Analogue Output | Left speaker negative output |
| C1 | SPKOUTRP | Analogue Output | Right speaker positive output |
| B2 | SPKOUTRN | Analogue Output | Right speaker negative output |
| E3 | SPKMONO | Digital Input | 2W Mono/1W Stereo speaker select |
| G3 | HPOUT1L | Analogue Output | Left headphone output |
| F4 | HPOUT1R | Analogue Output | Right headphone output |
| G4 | HPOUT1FB | Analogue Input | HPOUT1L and HPOUT1R ground loop noise rejection feedback |
| D6 | HPOUT2P | Analogue Output | Earpiece speaker non-inverted output |
| E7 | HPOUT2N | Analogue Output | Earpiece speaker inverted output |
| B4 | LINEOUT1N | Analogue Output | Negative mono line output / Positive left or right line output |
| B3 | LINEOUT1P | Analogue Output | Positive mono line output / Positive left line output |
| A3 | LINEOUT2N | Analogue Output | Negative mono line output / Positive left or right line output |
| A2 | LINEOUT2P | Analogue Output | Positive mono line output / Positive left line output |
| A4 | LINEOUTFB | Analogue Input | Line output ground loop noise rejection feedback |
| C6 | VMIDC | Analogue Output | Midrail voltage decoupling capacitor |
| D3 | GPIO1 | Digital Input / Output | GPIO pin |

ABSOLUTE MAXIMUM RATINGS

Absolute Maximum Ratings are stress ratings only. Permanent damage to the device may be caused by continuously operating at or beyond these limits. Device functional operating limits and guaranteed performance specifications are given under Electrical Characteristics at the test conditions specified.



ESD Sensitive Device. This device is manufactured on a CMOS process. It is therefore generically susceptible to damage from excessive static voltages. Proper ESD precautions must be taken during handling and storage of this device.

Cirrus Logic tests its package types according to IPC/JEDEC J-STD-020B for Moisture Sensitivity to determine acceptable storage conditions prior to surface mount assembly. These levels are:

MSL1 = unlimited floor life at <30°C / 85% Relative Humidity. Not normally stored in moisture barrier bag.

MSL2 = out of bag storage for 1 year at <30°C / 60% Relative Humidity. Supplied in moisture barrier bag.

MSL3 = out of bag storage for 168 hours at <30°C / 60% Relative Humidity. Supplied in moisture barrier bag.

The Moisture Sensitivity Level for each package type is specified in Ordering Information.

| CONDITION | MIN | MAX |
|---|------------|-------------|
| Supply voltages (AVDD1, DBVDD) | -0.3V | +4.5V |
| Supply voltages (AVDD2, DCVDD) | -0.3V | +2.5V |
| Supply voltages (CPVDD) | -0.3V | +2.2V |
| Supply voltages (SPKVDD) | -0.3V | +7.0V |
| Voltage range digital inputs | DGND -0.3V | DBVDD +0.3V |
| Voltage range analogue inputs | AGND -0.3V | AVDD1 +0.3V |
| Operating temperature range, T _A | -40°C | +85°C |
| Junction temperature, T _{JMAX} | -40°C | +150°C |
| Storage temperature after soldering | -65°C | +150°C |

RECOMMENDED OPERATING CONDITIONS

| PARAMETER | SYMBOL | MIN | TYP | MAX | UNIT |
|-----------------------------|---------------------------|------|-----|-----|------|
| Digital supply range (Core) | DCVDD | 1.08 | 1.2 | 2.0 | V |
| Digital supply range (I/O) | DBVDD | 1.62 | 1.8 | 3.6 | V |
| Analogue supply 1 range | AVDD1 | 2.4 | 3.0 | 3.3 | V |
| Analogue supply 2 range | AVDD2 | 1.71 | 1.8 | 2.0 | V |
| Charge Pump supply range | CPVDD | 1.71 | 1.8 | 2.0 | V |
| Speaker supply range | SPKVDD | 2.7 | 5.0 | 5.5 | V |
| Ground | DGND, AGND, CPGND, SPKGND | | 0 | | V |

Notes

1. Analogue, digital and speaker grounds must always be within 0.3V of each other.
2. There is no power sequencing requirement; the supplies may be enabled in any order.
3. DCVDD must be less than or equal to AVDD1 and AVDD2.
4. DCVDD must be less than or equal to DBVDD.
5. AVDD1 must be less than or equal to SPKVDD.

THERMAL PERFORMANCE

Thermal analysis should be performed in the intended application to prevent the WM8993 from exceeding maximum junction temperature. Several contributing factors affect thermal performance most notably the physical properties of the mechanical enclosure, location of the device on the PCB in relation to surrounding components and the number of PCB layers. Connecting the GND balls through thermal vias and into a large ground plane will aid heat extraction.

Three main heat transfer paths exist to surrounding air as illustrated below in Figure 1:

- Package top to air (radiation).
- Package bottom to PCB (radiation).
- Package balls to PCB (conduction).

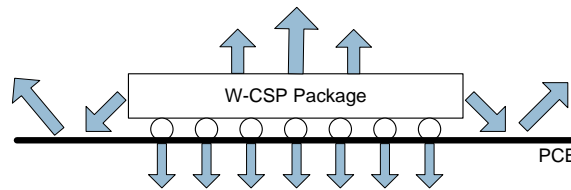


Figure 1 Heat Transfer Paths

The temperature rise T_R is given by $T_R = P_D * \Theta_{JA}$

- P_D is the power dissipated in the device.
- Θ_{JA} is the thermal resistance from the junction of the die to the ambient temperature and is therefore a measure of heat transfer from the die to surrounding air. Θ_{JA} is determined with reference to JEDEC standard JESD51-9.

The junction temperature T_J is given by $T_J = T_A + T_R$, where T_A is the ambient temperature.

| PARAMETER | SYMBOL | MIN | TYP | MAX | UNIT |
|--------------------------------|---------------|-----|-----|-----|------|
| Operating temperature range | T_A | -40 | | 85 | °C |
| Operating junction temperature | T_J | -40 | | 125 | °C |
| Thermal Resistance | Θ_{JA} | | TBC | | °C/W |

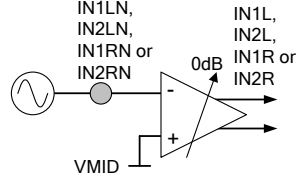
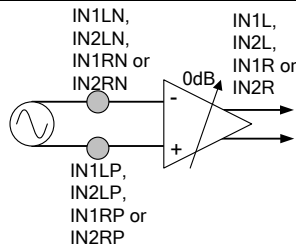
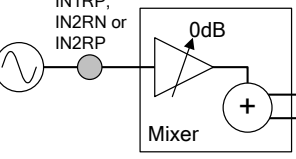
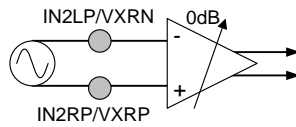
Notes:

1. Junction temperature is a function of ambient temperature and of the device operating conditions. The ambient temperature limits and junction temperature limits must both be observed.

ELECTRICAL CHARACTERISTICS

Test Conditions

DCVDD = 1.2V, AVDD2 = DBVDD = CPVDD = 1.8V, AVDD1 = 3.0V, SPKVDD = 5V, DGND=AGND=CPGND=SPKGND=0V, T_A = +25°C, 1kHz sinusoidal signal, fs = 48kHz, PGA gain = 0dB, 24-bit audio data unless otherwise stated.

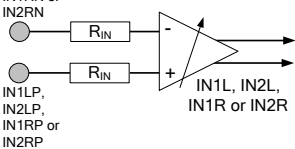
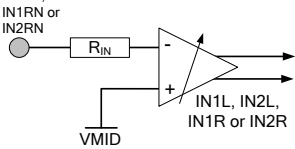
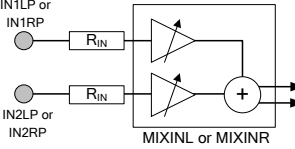
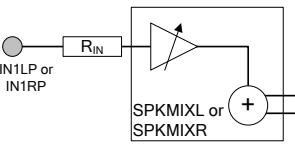
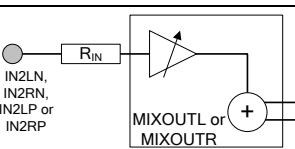
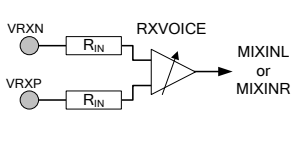
| PARAMETER | TEST CONDITIONS | | MIN | TYP | MAX | UNIT | |
|--|---|--|--|-----|-----|------|-------------|
| Analogue Input Pin Maximum Signal Levels (IN1LN, IN1LP, IN2LN, IN2LP, IN1RN, IN1RP, IN2RN, IN2RP) | | | | | | | |
| A1 | Maximum Full-Scale PGA Input Signal Level Note 1,2 and 3 | Single-ended PGA input |  | | 1.0 | 0 | Vrms dBV |
| | | Differential PGA input |  | | 1.0 | 0 | Vrms dBV |
| A2 | Maximum Full-Scale Line Input Signal Level Note 1, 2 and 3 | Single-ended Line input to mixers |  | | 1.0 | 0 | Vrms dBV |
| | | Differential mono line input on VRXP/VRXN to RXVOICE or Direct Voice paths to speaker outputs or earpiece output |  | | 1.0 | 0 | Vrms dBV |

Notes:

1. This changes in proportion to AVDD1 (AVDD1/3.0)
2. When mixing line inputs, input PGA outputs and DAC outputs the total signal must not exceed 1Vrms (0dBV).
3. A 1.0Vrms differential signal equates to 0.5Vrms/-6dBV per input.

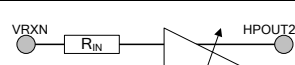
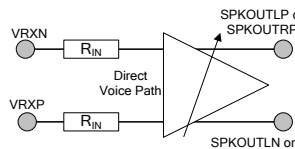
Test Conditions

DCVDD = 1.2V, AVDD2 = DBVDD = CPVDD = 1.8V, AVDD1 = 3.0V, SPKVDD = 5V, DGND=AGND=CPGND=SPKGND=0V, T_A = +25°C, 1kHz sinusoidal signal, fs = 48kHz, PGA gain = 0dB, 24-bit audio data unless otherwise stated.

| PARAMETER | | TEST CONDITIONS | | MIN | TYP | MAX | UNIT |
|---|---|--|--|-----|-------|-----|------|
| Analogue Input Pin Impedances (IN1LN, IN1LP, IN2LN, IN2LP, IN1RN, IN1RP, IN2RN, IN2RP) | | | | | | | |
| B1 | PGA Input Resistance Differential Mode | PGA Gain = -16.5dB |  | | 52.5 | | kΩ |
| | | PGA Gain = 0dB | | | 25.1 | | kΩ |
| | | PGA Gain = +30dB | | | 1.3 | | kΩ |
| Note 4 | | See "Applications Information" for details of Input resistance at all PGA Gain settings. | | | | | |
| B2 | PGA Input Resistance Single-Ended Mode | PGA Gain = -16.5dB |  | | 58.0 | | kΩ |
| | | PGA Gain = 0dB | | | 36.2 | | kΩ |
| | | PGA Gain = +30dB | | | 2.5 | | kΩ |
| Note 4 | | See "Applications Information" for details of Input resistance at all PGA Gain settings. | | | | | |
| B3 | Line Input Resistance | IN1LP or IN1RP to INMIXL or INMIXR (-12dB) |  | | 56.0 | | kΩ |
| | | IN1LP or IN1RP to INMIXL or INMIXR (0dB) | | | 17.4 | | kΩ |
| | | IN1LP or IN1RP to INMIXL or INMIXR (+6dB) | | | 9.8 | | kΩ |
| | | IN1LP to SPKMIXL or IN1RP to SPKMIXR (SPKATTN = -12dB) |  | | 88.5 | | kΩ |
| | | IN1LP to SPKMIXL or IN1RP to SPKMIXR (SPKATTN = 0dB) | | | 26.7 | | kΩ |
| | | IN2LN, IN2RN, IN2LP or IN2RP to MIXOUTL or MIXOUTR (-21dB) |  | | 150.9 | | kΩ |
| | | IN2LN, IN2RN, IN2LP or IN2RP to MIXOUTL or MIXOUTR (0dB) | | | 18.2 | | kΩ |
| | | VRXP-VRXN via RXVOICE to MIXINL or MIXINR (Gain = -12dB) |  | | 47.7 | | kΩ |
| | | VRXP-VRXN via RXVOICE to MIXINL or MIXINR (Gain = 0dB) | | | 12.0 | | kΩ |
| VRXP-VRXN via RXVOICE to MIXINL or MIXINR (Gain = +6dB) | | 6.0 | | | kΩ | | |

Test Conditions

DCVDD = 1.2V, AVDD2 = DBVDD = CPVDD = 1.8V, AVDD1 = 3.0V, SPKVDD = 5V, DGND=AGND=CPGND=SPKGND=0V, T_A = +25°C, 1kHz sinusoidal signal, fs = 48kHz, PGA gain = 0dB, 24-bit audio data unless otherwise stated.

| PARAMETER | TEST CONDITIONS | MIN | TYP | MAX | UNIT |
|-----------|---|--|-------|-----|------|
| | Direct Voice to Earpiece Driver (Gain = -6dB) |  | 33.3 | | kΩ |
| | Direct Voice to Earpiece Driver (Gain = 0dB) | | | | |
| | Direct Voice to Speaker Driver (Gain = 0dB) |  | 170.0 | | kΩ |
| | Direct Voice to Speaker Driver (Gain = +6dB) | | 85.2 | | kΩ |
| | Direct Voice to Speaker Driver (Gain = +9dB) | | 60.3 | | kΩ |
| | Direct Voice to Speaker Driver (Gain = +12dB) | | 42.7 | | kΩ |

Note:

- Input resistance will be seen in parallel with the resistance of other enabled input paths from the same pins

Test Conditions

DCVDD = 1.2V, AVDD2 = DBVDD = CPVDD = 1.8V, AVDD1 = 3.0V, SPKVDD = 5V, DGND=AGND=CPGND=SPKGND=0V, T_A = +25°C, 1kHz sinusoidal signal, fs = 48kHz, PGA gain = 0dB, 24-bit audio data unless otherwise stated.

| PARAMETER | TEST CONDITIONS | MIN | TYP | MAX | UNIT |
|--|---|--|-------|-----|------|
| Input Programmable Gain Amplifiers (PGAs) IN1L, IN2L, IN1R and IN2R | | | | | |
| C1 | Minimum Programmable Gain | | -16.5 | | dB |
| C2 | Maximum Programmable Gain | | 30 | | dB |
| C3 | Programmable Gain Step Size | Guaranteed monotonic | | 1.5 | dB |
| C4 | Mute Attenuation | Inputs disconnected | | 90 | dB |
| C5 | Common Mode Rejection Ratio (217Hz input) | Single PGA in differential mode, gain = +30dB | | 70 | dB |
| | | Single PGA in differential mode, gain = 0dB | | 60 | dB |
| | | Single PGA in differential mode, gain = -16.5dB | | 55 | dB |
| Input Mixers MIXINL and MIXINR | | | | | |
| C6 | Minimum Programmable Gain | PGA Outputs to MIXINL and MIXINR | | 0 | dB |
| C7 | Maximum Programmable Gain | PGA Outputs to MIXINL and MIXINR | | +30 | dB |
| C8 | Programmable Gain Step Size | PGA Outputs to MIXINL and MIXINR | | 30 | dB |
| C9 | Minimum Programmable Gain | Line Inputs and Record path to MIXINL and MIXINR | | -12 | dB |
| C10 | Maximum Programmable Gain | Line Inputs and Record path to MIXINL and MIXINR | | +6 | dB |
| C11 | Programmable Gain Step Size | Line Inputs and Record path to MIXINL and MIXINR | | 3 | dB |
| C12 | Minimum Programmable Gain | RXVOICE to MIXINL and MIXINR | | -12 | dB |
| C13 | Maximum Programmable Gain | RXVOICE to MIXINL and MIXINR | | +6 | dB |
| C14 | Programmable Gain Step Size | RXVOICE to MIXINL and MIXINR | | 3 | dB |
| C16 | Common Mode Rejection Ratio (217Hz input) | RXVOICE to MIXINL or MIXINR, gain = +6dB | | 60 | dB |
| | | RXVOICE to MIXINL or MIXINR, gain = 0dB | | 65 | dB |
| | | RXVOICE to MIXINL or MIXINR, gain = -12dB | | 65 | dB |

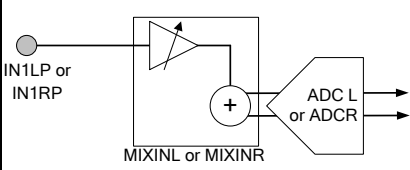
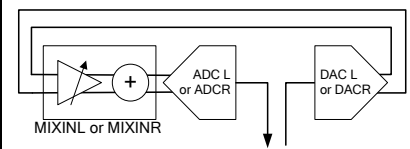
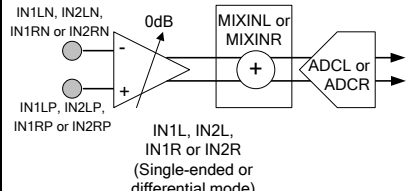
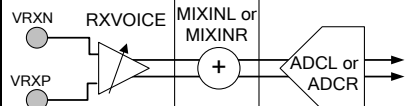
Test Conditions

DCVDD = 1.2V, AVDD2 = DBVDD = CPVDD = 1.8V, AVDD1 = 3.0V, SPKVDD = 5V, DGND=AGND=CPGND=SPKGND=0V, T_A = +25°C, 1kHz sinusoidal signal, fs = 48kHz, PGA gain = 0dB, 24-bit audio data unless otherwise stated.

| PARAMETER | | TEST CONDITIONS | MIN | TYP | MAX | UNIT |
|---|---|---|-----|-----|-----|------|
| Output Mixers MIXOUTL and MIXOUTR | | | | | | |
| C17 | Minimum Programmable Gain | | | -21 | | dB |
| C18 | Maximum Programmable Gain | | | 0 | | dB |
| C19 | Programmable Gain Step Size | | | 3 | | dB |
| C20 | Mute attenuation | | | -67 | | dB |
| Speaker Mixers SPKMIXL and SPKMIXR | | | | | | |
| C21 | Minimum Programmable Gain | | | -15 | | dB |
| C22 | Maximum Programmable Gain | | | 0 | | dB |
| C23 | Programmable Gain Step Size | | | 3 | | dB |
| C24 | Mute attenuation | | | -67 | | dB |
| Output Programmable Gain Amplifiers (PGAs) HPOUT1LVOL, HPOUT1RVOL, MIXOUTLVOL, MIXOUTRVOL, SPKLVOL and SPKRVOL | | | | | | |
| C25 | Minimum Programmable Gain | | | -57 | | dB |
| C26 | Maximum Programmable Gain | | | +6 | | dB |
| C27 | Programmable Gain Step Size | Guaranteed monotonic | | 1 | | dB |
| C28 | Mute attenuation | | | -69 | | dB |
| Line Output Driver Programmable Gain LINEOUT1NMIX, LINEOUT1PMIX, LINEOUT2NMIX and LINEOUT2PMIX | | | | | | |
| C29 | Minimum Programmable Gain | | | -6 | | dB |
| C30 | Maximum Programmable Gain | | | 0 | | dB |
| C31 | Programmable Gain Step Size | | | 6 | | dB |
| Earpiece Driver Programmable Gain HPOUT2MIX | | | | | | |
| C33 | Minimum Programmable Gain | | | -6 | | dB |
| C34 | Maximum Programmable Gain | | | 0 | | dB |
| C35 | Programmable Gain Step Size | | | 6 | | dB |
| C37 | Common Mode Rejection Ratio (217Hz input) | Direct Voice path to HPOUT2, gain = 0dB | | 50 | | dB |
| Speaker Output Driver Programmable Gain SPKOUTLBOOST and SPKOUTRBOOST | | | | | | |
| C38 | Minimum Programmable Gain | | | 0 | | dB |
| C39 | Maximum Programmable Gain | | | +12 | | dB |
| C40 | Programmable Gain Step Size | | | 1.5 | | dB |
| C42 | Mute attenuation | Class AB mode | | -78 | | dB |
| C43 | Common Mode Rejection Ratio (217Hz input) | Direct Voice path to SPKOUTL or SPKOUTR, gain = 0dB | | 50 | | dB |
| | | Direct Voice path to SPKOUTL or SPKOUTR, gain = +12dB | | 50 | | dB |

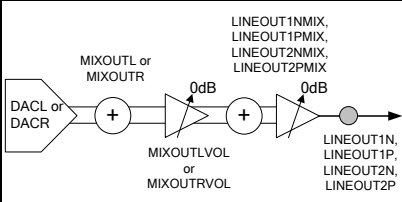
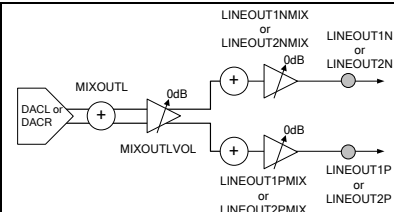
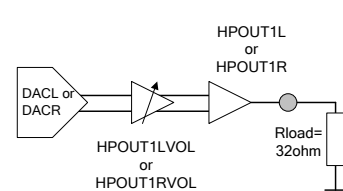
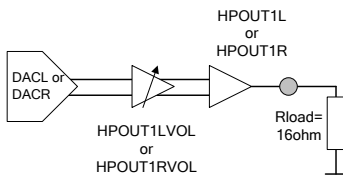
Test Conditions

DCVDD = 1.2V, AVDD2 = DBVDD = CPVDD = 1.8V, AVDD1 = 3.0V, SPKVDD = 5V, DGND=AGND=CPGND=SPKGND=0V, T_A = +25°C, 1kHz sinusoidal signal, fs = 48kHz, PGA gain = 0dB, 24-bit audio data unless otherwise stated.

| PARAMETER | TEST CONDITIONS | MIN | TYP | MAX | UNIT | |
|--|---|-----|-----|------|------|----|
| ADC Input Path Performance | | | | | | |
| D1 | Line Inputs to ADC via MIXINL and MIXINR | | | | | |
| | SNR (A-weighted) | | | 94 | dB | |
| | THD (-1dBFS input) | | | -83 | dB | |
| | THD+N (-1dBFS input) | | | -81 | dB | |
| | Crosstalk (L/R) | | | -100 | dB | |
| PSRR (all other supplies 217Hz) | 100mVpk-pk | | | -78 | dB | |
|  | | | | | | |
| D2 | Record Path (DACs to ADCs via MIXINL and MIXINR) | | | | | |
| | SNR (A-weighted) | | 83 | 94 | dB | |
| | THD (-1dBFS input) | | | -74 | -64 | dB |
| | THD+N (-1dBFS input) | | | -72 | -62 | dB |
| Crosstalk (L/R) | | | -95 | | dB | |
|  | | | | | | |
| D3 | Input PGAs to ADC via MIXINL or MIXINR | | | | | |
| | SNR (A-weighted) | | 86 | 95 | dB | |
| | THD (-1dBFS input) | | | -82 | -72 | dB |
| | THD+N (-1dBFS input) | | | -80 | -70 | dB |
| | Crosstalk (L/R) | | | -100 | | dB |
| PSRR (AVDD1 217Hz) | 100mVpk-pk | | | -100 | dB | |
|  | | | | | | |
| D4 | VRXP-VRXN to one ADC via RXVOICE | | | | | |
| | SNR (A-weighted) | | | 95 | dB | |
| | THD (-1dBFS input) | | | -83 | dB | |
| THD+N (-1dBFS input) | | | -81 | dB | | |
|  | | | | | | |

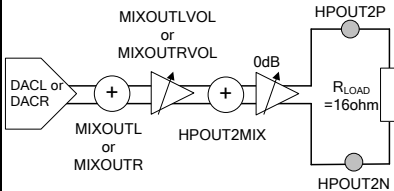
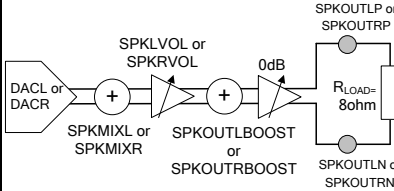
Test Conditions

DCVDD = 1.2V, AVDD2 = DBVDD = CPVDD = 1.8V, AVDD1 = 3.0V, SPKVDD = 5V, DGND=AGND=CPGND=SPKGND=0V, T_A = +25°C, 1kHz sinusoidal signal, fs = 48kHz, PGA gain = 0dB, 24-bit audio data unless otherwise stated.

| PARAMETER | TEST CONDITIONS | | MIN | TYP | MAX | UNIT | | | | | |
|------------------------------------|---|--|--|-----|------|------|----|-----|-----|----|----|
| DAC Output Path Performance | | | | | | | | | | | |
| E1 | DAC to Single-Ended Line Output (10kΩ / 50pF) | |  | | | | | | | | |
| | SNR (A-weighted) | | | | | | 84 | 94 | | dB | |
| | THD | 0dBFS input | | | | | | -71 | -61 | | dB |
| | THD+N | 0dBFS input | | | | | | -70 | -60 | | dB |
| | Crosstalk (L/R) | | | | | | | -75 | | | dB |
| | PSRR (all other supplies 217Hz) | 100mVpk-pk | | | | | | -36 | | | dB |
| E2 | DAC to Differential Line Output (10kΩ / 50pF) | |  | | | | | | | | |
| | SNR (A-weighted) | | | | | | 87 | 97 | | dB | |
| | THD | 0dBFS input | | | | | | -76 | | | dB |
| | THD+N | 0dBFS input | | | | | | -75 | | | dB |
| | Crosstalk (L/R) | | | | | | | -90 | | | dB |
| | PSRR (all other supplies 217Hz) | 100mVpk-pk | | | | | | -51 | | | dB |
| E3 | Minimum Line Output Resistance | LINEOUT1N, LINEOUT1P, LINEOUT2N, LINEOUT2P | 2 | | | kΩ | | | | | |
| E4 | Line Output Capacitance | LINEOUT1N, LINEOUT1P, LINEOUT2N, LINEOUT2P | Direct connection | | 100 | pF | | | | | |
| | | | Connection via 1kΩ series resistor | | 2000 | pF | | | | | |
| E5 | DAC to Headphone on HPOUT1L or HPOUT1R (R_L=32Ω) | |  | | | | | | | | |
| | SNR (A-weighted) | OSR = 128fs | | | | | | 100 | | dB | |
| | | OSR = 64fs | | | | | | 97 | | dB | |
| | THD (P _o =20mW) | | | | | | | -79 | | dB | |
| | THD+N (P _o =20mW) | | | | | | | -77 | | dB | |
| | THD (P _o =5mW) | | | | | | | -83 | | dB | |
| | THD+N (P _o =5mW) | | | | | | | -81 | | dB | |
| | Crosstalk (L/R) | | | | | | | -95 | | dB | |
| PSRR (all other supplies 217Hz) | 100mVpk-pk | | -51 | | dB | | | | | | |
| E6 | DAC to Headphone on HPOUT1L or HPOUT1R (R_L=16Ω) | |  | | | | | | | | |
| | SNR (A-weighted) | OSR = 128fs | | | | | 90 | 100 | | dB | |
| | | OSR = 64fs | | | | | | 97 | | dB | |
| | THD (P _o =20mW) | | | | | | | -85 | | dB | |
| | THD+N (P _o =20mW) | | | | | | | -83 | | dB | |
| | THD (P _o =5mW) | | | | | | | -83 | -73 | dB | |
| | THD+N (P _o =5mW) | | | | | | | -81 | -71 | dB | |
| | Crosstalk (L/R) | | | | | | | -95 | | dB | |
| PSRR (all other supplies 217Hz) | 100mVpk-pk | | -51 | | dB | | | | | | |

Test Conditions

DCVDD = 1.2V, AVDD2 = DBVDD = CPVDD = 1.8V, AVDD1 = 3.0V, SPKVDD = 5V, DGND=AGND=CPGND=SPKGND=0V, T_A = +25°C, 1kHz sinusoidal signal, fs = 48kHz, PGA gain = 0dB, 24-bit audio data unless otherwise stated.

| PARAMETER | | TEST CONDITIONS | | MIN | TYP | MAX | UNIT |
|-------------------|--|----------------------------------|--|-----|-----|-----|------|
| E7 | Minimum Headphone Resistance | HPOUT1L or HPOUT1R | Normal operation | 15 | | | Ω |
| | | | Device survival with load applied indefinitely | 1 | | | Ω |
| E8 | Headphone Capacitance | HPOUT1L or HPOUT1R | | | | 2 | nF |
| E9 | DAC to Earpiece Driver (R_L=16Ω BTL) | | | | | | |
| | SNR (A-weighted) | |  | | 97 | | dB |
| | THD (P _o =50mW) | | | -69 | | dB | |
| | THD+N (P _o =50mW) | | | -67 | | dB | |
| | PSRR (all other supplies 217Hz) | 100mVpk-pk | | -51 | | dB | |
| | DC Offset at Load | | | 5 | | mV | |
| E10 | Earpiece Resistance | | | | 15 | | |
| E11 | Earpiece Capacitance | | Direct connection | | | 200 | pF |
| E12 | DAC to Speaker Outputs (R_L=8Ω + 10μH BTL, Stereo Mode) | | | | | | |
| | SNR (A-weighted) | Class D mode SPK Boost=+12dB |  | 84 | 94 | | dB |
| | THD (P _o =0.5W) | | | -63 | -53 | | dB |
| | THD+N (P _o =0.5W) | | | -62 | -52 | | dB |
| | THD (P _o =1.0W) | | | -67 | | | dB |
| | THD+N (P _o =1.0W) | | | -66 | | | dB |
| | PSRR (all supplies 217Hz) | | | -43 | | | dB |
| | Crosstalk (L/R) | | | -80 | | | dB |
| | SNR (A-weighted) | Class AB mode SPK Boost=+12dB | | 97 | | | dB |
| | THD (P _o =0.5W) | | | -68 | | | dB |
| | THD+N (P _o =0.5W) | | | -65 | | | dB |
| | THD (P _o =1.0W) | | | -70 | | | dB |
| | THD+N (P _o =1.0W) | | | -68 | | | dB |
| | PSRR (all supplies 217Hz) | | | -43 | | | dB |
| | Crosstalk (L/R) | | | -80 | | | dB |
| DC Offset at Load | Class AB mode SPK Boost=0dB | | | 10 | | mV | |

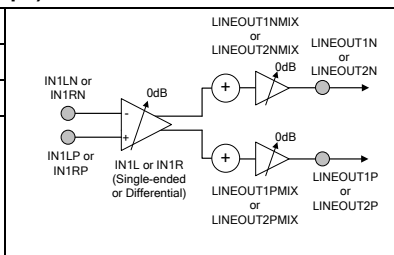
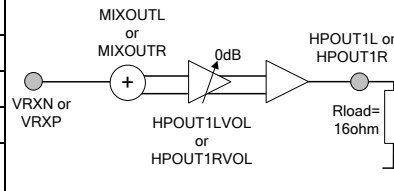
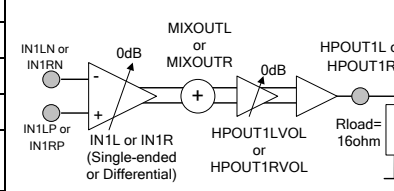
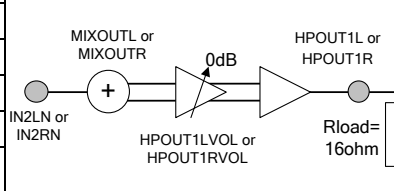
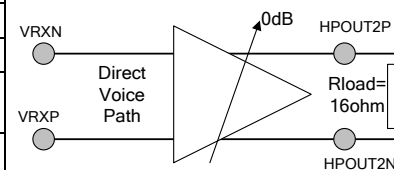
Test Conditions

DCVDD = 1.2V, AVDD2 = DBVDD = CPVDD = 1.8V, AVDD1 = 3.0V, SPKVDD = 5V, DGND=AGND=CPGND=SPKGND=0V,
 T_A = +25°C, 1kHz sinusoidal signal, fs = 48kHz, PGA gain = 0dB, 24-bit audio data unless otherwise stated.

| PARAMETER | TEST CONDITIONS | | MIN | TYP | MAX | UNIT |
|-----------|--|---------------------------|-------------|------|------|------|
| E13 | Speaker Output Power (R_L=8Ω + 10μH BTL, Stereo Mode) | | | | | |
| | Output Power | SPKVDD=5.0V THD+N ≤ 1% | Class AB | | 1 | W |
| | | | Class D | | 1 | |
| | | SPKVDD=4.2V THD+N ≤ 1% | Class AB | | 0.86 | W |
| | | | Class D | | 0.87 | |
| | | SPKVDD=3.7V THD+N ≤ 1% | Class AB | | 0.65 | W |
| Class D | | | | 0.66 | | |
| E14 | Speaker Output Power (R_L=8Ω + 10μH BTL, Mono Mode) | | | | | |
| | Output Power | SPKVDD=5.0V THD+N ≤ 1% | Class AB | | 1 | W |
| | | | Class D | | 1 | |
| | | SPKVDD=4.2V THD+N ≤ 1% | Class AB | | 0.99 | W |
| | | | Class D | | 0.98 | |
| | | SPKVDD=3.7V THD+N ≤ 1% | Class AB | | 0.75 | W |
| Class D | | | | 0.75 | | |
| E15 | Speaker Output Power (R_L=4Ω + 10μH BTL, Mono Mode) | | | | | |
| | Output Power | SPKVDD=5.0V THD+N ≤ 1% | Class AB | | 2 | mW |
| | | Class D | | 2 | | |
| E16 | Speaker Resistance | | Stereo Mode | 8 | | Ω |
| | | | Mono Mode | 4 | | Ω |
| E17 | SPKVDD Leakage Current | SPKVDD=5.0V | | 1 | | μA |

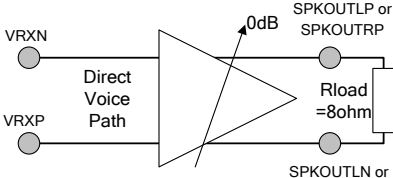
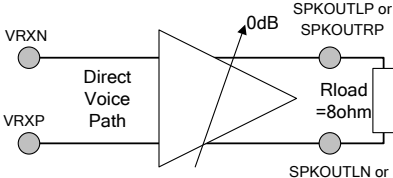
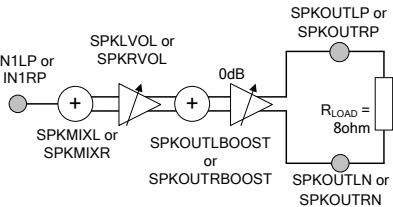
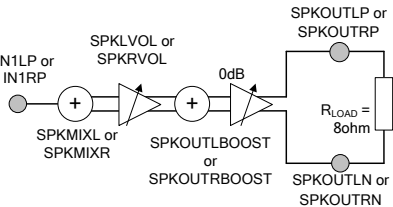
Test Conditions

DCVDD = 1.2V, AVDD2 = DBVDD = CPVDD = 1.8V, AVDD1 = 3.0V, SPKVDD = 5V, DGND=AGND=CPGND=SPKGND=0V, T_A = +25°C, 1kHz sinusoidal signal, fs = 48kHz, PGA gain = 0dB, 24-bit audio data unless otherwise stated.

| PARAMETER | TEST CONDITIONS | MIN | TYP | MAX | UNIT | | | | | |
|---------------------------------|---|------------|--|-----|------|----|-----|-----|-----|----|
| Bypass Path Performance | | | | | | | | | | |
| F1 | Input PGA to Differential Line Out (10kΩ / 50pF) | |  | | | 92 | 102 | | dB | |
| | SNR (A-weighted) | | | | | | | | | |
| | THD (0dB output) | | | | | | | -94 | -84 | dB |
| | THD+N (0dB output) | | | | | | | -92 | -82 | dB |
| | PSRR (all other supplies 217Hz) | 100mVpk-pk | | | | | | -45 | | dB |
| F2 | VRXP or VRXN to Headphone via MIXOUTL or MIXOUTR (R_L=16Ω) | |  | | | | 101 | | dB | |
| | SNR (A-weighted) | | | | | | | | | |
| | THD (P _O =20mW) | | | | | | | -85 | | dB |
| | THD+N (P _O =20mW) | | | | | | | -83 | | dB |
| | THD (P _O =5mW) | | | | | | | -83 | | dB |
| | THD+N (P _O =5mW) | | | | | | | -81 | | dB |
| PSRR (all other supplies 217Hz) | 100mVpk-pk | | | -49 | | dB | | | | |
| F3 | Input PGA to Headphone via MIXOUTL or MIXOUTR (R_L=16Ω) | |  | | | | 100 | | dB | |
| | SNR (A-weighted) | | | | | | | | | |
| | THD (P _O =20mW) | | | | | | | -85 | | dB |
| | THD+N (P _O =20mW) | | | | | | | -83 | | dB |
| | THD (P _O =5mW) | | | | | | | -83 | | dB |
| | THD+N (P _O =5mW) | | | | | | | -81 | | dB |
| | PSRR (all other supplies 217Hz) | 100mVpk-pk | | | | | | -49 | | dB |
| | Crosstalk (L/R) | | | | | | | -95 | | dB |
| F4 | Line Input to Headphone via MIXOUTL and MIXOUTR (R_L=16Ω) | |  | | | 92 | 100 | | dB | |
| | SNR (A-weighted) | | | | | | | | | |
| | THD (P _O =20mW) | | | | | | | -85 | -75 | dB |
| | THD+N (P _O =20mW) | | | | | | | -83 | -73 | dB |
| | THD (P _O =5mW) | | | | | | | -83 | | dB |
| | THD+N (P _O =5mW) | | | | | | | -81 | | dB |
| | PSRR (all other supplies 217Hz) | 100mVpk-pk | | | | | | -49 | | dB |
| | Crosstalk (L/R) | | | | | | | -95 | | dB |
| F5 | VRXP-VRXN Direct Voice Path to Earpiece Driver (R_L=16Ω BTL) | |  | | | 90 | 104 | | dB | |
| | SNR (A-weighted) | | | | | | | | | |
| | THD (P _O =50mW) | | | | | | | -69 | -60 | dB |
| | THD+N (P _O =50mW) | | | | | | | -67 | -58 | dB |
| | PSRR (all other supplies 217Hz) | 100mVpk-pk | | | | | | -91 | | dB |
| | DC Offset at Load | | | | | | | 5 | | mV |

Test Conditions

DCVDD = 1.2V, AVDD2 = DBVDD = CPVDD = 1.8V, AVDD1 = 3.0V, SPKVDD = 5V, DGND=AGND=CPGND=SPKGND=0V, T_A = +25°C, 1kHz sinusoidal signal, fs = 48kHz, PGA gain = 0dB, 24-bit audio data unless otherwise stated.

| PARAMETER | TEST CONDITIONS | MIN | TYP | MAX | UNIT |
|---------------------------------|--|--|-----|-----|------|
| F6 | VRXP-VRXN Direct Voice Path to Speaker Outputs (R_L=8Ω BTL) | | | | |
| SNR (A-weighted) | Class D Mode SPK Boost=+12dB |  | 97 | | dB |
| THD (P _O =0.5W) | | | -63 | | dB |
| THD+N (P _O =0.5W) | | | -62 | | dB |
| THD (P _O =1.0W) | | | -67 | | dB |
| THD+N (P _O =1.0W) | | | -65 | | dB |
| PSRR (all supplies 217Hz) | | | -63 | | dB |
| SNR (A-weighted) | Class AB Mode SPK Boost=+12dB |  | 104 | | dB |
| THD (P _O =0.5W) | | | -68 | | dB |
| THD+N (P _O =0.5W) | | | -65 | | dB |
| THD (P _O =1.0W) | | | -70 | | dB |
| THD+N (P _O =1.0W) | | | -68 | | dB |
| PSRR (all supplies 217Hz) | | | -67 | | dB |
| DC Offset at Load | Class AB Mode SPK Boost=0dB | | 10 | | mV |
| F7 | Line Input to Speaker Outputs via SPKMIXL or SPKMIXR (R_L=8Ω BTL) | | | | |
| SNR (A-weighted) | Class D Mode SPK Boost =+12dB |  | 93 | | dB |
| THD (P _O =0.5W) | | | -63 | | dB |
| THD+N (P _O =0.5W) | | | -62 | | dB |
| THD (P _O =1.0W) | | | -67 | | dB |
| THD+N (P _O =1.0W) | | | -65 | | dB |
| PSRR (all other supplies 217Hz) | -47 | | dB | | |
| SNR (A-weighted) | Class AB Mode SPK Boost=+12dB |  | 86 | 96 | dB |
| THD (P _O =0.5W) | | | -68 | -59 | dB |
| THD+N (P _O =0.5W) | | | -65 | -57 | dB |
| THD (P _O =1.0W) | | | -70 | | dB |
| THD+N (P _O =1.0W) | | | -68 | | dB |
| PSRR (all other supplies 217Hz) | -47 | | dB | | |
| DC Offset at Load | Class AB Mode SPK Boost=0dB | | 10 | | mV |

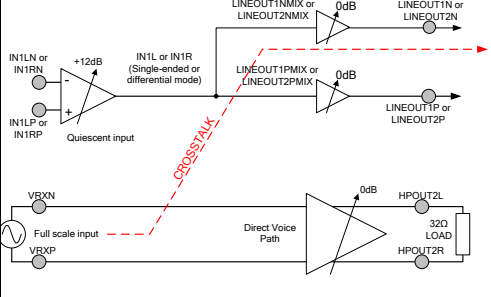
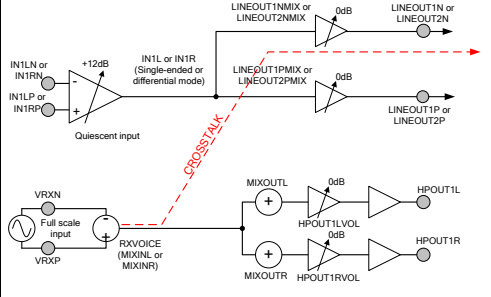
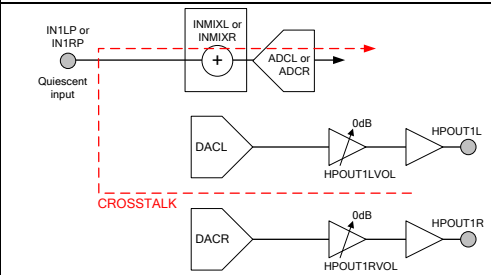
Test Conditions

DCVDD = 1.2V, AVDD2 = DBVDD = CPVDD = 1.8V, AVDD1 = 3.0V, SPKVDD = 5V, DGND=AGND=CPGND=SPKGND=0V, T_A = +25°C, 1kHz sinusoidal signal, fs = 48kHz, PGA gain = 0dB, 24-bit audio data unless otherwise stated.

| PARAMETER | TEST CONDITIONS | MIN | TYP | MAX | UNIT | | |
|--------------------------------------|---|-----|-----|-----|------|--|----|
| Multi-Path Channel Separation | | | | | | | |
| G1 | <p>Headset Voice Call: DAC/Headset to Tx Voice Separation</p> <p>1kHz 0dBFS DAC playback direct to HPOUT1L and HPOUT1R; Quiescent input on IN1LN/P or IN1RN/P (Gain=+12dB), differential line output; Measure crosstalk at differential line output</p> | | | | 85 | | dB |
| G2 | <p>Headset Voice Call: DAC/Speaker to Tx Voice Separation</p> <p>1kHz 0dBFS DAC playback to speakers, 1W/ch output; Quiescent input on IN1LN/P or IN1RN/P (Gain=+12dB), differential line output; Measure crosstalk at differential line output</p> | | | | 100 | | dB |
| G3 | <p>Earpiece PCM Voice Call: RXVOICE to Tx Voice Separation</p> <p>fs=8kHz for ADC and DAC, DAC_SB_FILT=1; -5dBFS, DAC output to HPOUT2P-HPOUT2N; Quiescent input on input PGA (Gain=+12dB) to ADC via MIXINL or MIXINR; Measure crosstalk at ADC output</p> | | | | 110 | | dB |
| G4 | <p>Speakerphone PCM Voice Call: DAC/Speaker to ADC Separation</p> <p>fs=8kHz for ADC and DAC, DAC_SB_FILT=1; 0dBFS DAC output to speaker (1W output); ADC record from input PGA (Gain=+30dB); Measure crosstalk on ADC output</p> | | | | 90 | | dB |
| G5 | <p>Speakerphone PCM Voice Call: ADC to DAC/Speaker Separation</p> <p>fs=8kHz for ADC and DAC, DAC_SB_FILT=1; Quiescent DAC output to speaker; ADC record from input PGA (Gain=+30dB + 30dB boost); Measure crosstalk on speaker output</p> | | | | 95 | | dB |

Test Conditions

DCVDD = 1.2V, AVDD2 = DBVDD = CPVDD = 1.8V, AVDD1 = 3.0V, SPKVDD = 5V, DGND=AGND=CPGND=SPKGND=0V, T_A = +25°C, 1kHz sinusoidal signal, fs = 48kHz, PGA gain = 0dB, 24-bit audio data unless otherwise stated.

| PARAMETER | TEST CONDITIONS | MIN | TYP | MAX | UNIT |
|--|--|-----|-----|-----|------|
| <p>G6 Earpiece Speaker Voice Call: Tx Voice and RXVOICE Separation</p> <p>1kHz Full scale differential input on VRXP-VRXN, output to HPOUT2P-HPOUT2N; Quiescent input on IN1LN/P or IN1RN/P (Gain=+12dB), differential line output; Measure crosstalk at differential line output</p> |  | | 100 | | dB |
| <p>G7 Headset Voice Call: Tx Voice and RXVOICE Separation</p> <p>1kHz full scale differential input on VRXP-VRXN via RXVOICE to MIXOUTL and MIXOUTR, output to HPOUT1L and HPOUT1R; Quiescent input on IN1LN/P or IN1RN/P (Gain=+12dB), differential line output; Measure crosstalk at differential line output</p> |  | | 90 | | dB |
| <p>G8 Stereo Line Record and Playback: DAC/Headset to ADC Separation</p> <p>-5dBFS input to DACs, playback to HPOUT1L and HPOUT1R; ADC record from line input; Measure crosstalk on ADC output</p> |  | | 95 | | dB |

Test Conditions

DCVDD = 1.2V, AVDD2 = DBVDD = CPVDD = 1.8V, AVDD1 = 3.0V, SPKVDD = 5V, DGND=AGND=CPGND=SPKGND=0V, T_A = +25°C, 1kHz sinusoidal signal, fs = 48kHz, PGA gain = 0dB, 24-bit audio data unless otherwise stated.

| PARAMETER | TEST CONDITIONS | MIN | TYP | MAX | UNIT | |
|--|---|-----------------------------------|-----------|------------|-----------|--------|
| Analogue Reference Levels | | | | | | |
| H1 | V _{MID} Midrail Reference Voltage | | -3% | AVDD1/2 | +3% | V |
| Microphone Bias (MICBIAS1 and MICBIAS2) | | | | | | |
| H2 | Bias Voltage | 2.4mA load current MICB1_LVL=0 | -5% | 0.9×AVDD1 | +5% | V |
| | | 2.4mA load current MICB1_LVL=1 | -5% | 0.65×AVDD1 | +5% | V |
| H3 | Bias Current Source | | | 2.4 | | mA |
| H4 | Output Noise Spectral Density | 1kHz to 20kHz | | 100 | | nV/√Hz |
| H6 | MIC Current Detect Thresholds | JD_THR = 00 | | 150 | | μA |
| | | JD_THR = 01 | | 300 | | μA |
| | | JD_THR = 10 | | 600 | | μA |
| | | JD_THR = 11 | | 1200 | | μA |
| | MIC Short Circuit Detect Thresholds | JD_SCTHR = 00 | | 300 | | μA |
| | | JD_SCTHR = 01 | | 600 | | μA |
| | | JD_SCTHR = 10 | | 1200 | | μA |
| | | JD_SCTHR = 11 | | 2400 | | μA |
| Current detect and short circuit detect thresholds are subject to a +/-30% across temperature, supply and part-to-part variation. This should be factored into any application design. | | | | | | |
| Charge Pump | | | | | | |
| H7 | Start-up Time | | | 500 | | μs |
| H8 | Supply Voltage | | 1.71 | | 2.0 | V |
| H9 | CPVOUTP | Normal mode | | CPVDD | | V |
| | | Low power mode | | CPVDD/2 | | V |
| H10 | CPVOUTN | Normal mode | | -CPVDD | | V |
| | | Low power mode | | -CPVDD/2 | | V |
| H13 | Flyback Capacitor (between CPF _{B1} and CPF _{B2}) | at 2V | 1 | 2.2 | | μF |
| H14 | CPVOUTP Capacitor | at 2V | 2 | 2.2 | | μF |
| H15 | CPVOUTN Capacitor | at 2V | 2 | 2.2 | | μF |
| Digital Input / Output | | | | | | |
| H16 | Input HIGH Level | | 0.8×DBVDD | | | V |
| H17 | Input LOW Level | | | | 0.2×DBVDD | V |
| Note that digital input pins should not be left unconnected / floating. | | | | | | |
| H18 | Output HIGH Level | I _{OL} =1mA | 0.8×DBVDD | | | V |
| H19 | Output LOW Level | I _{OH} =-1mA | | | 0.2×DBVDD | V |
| H20 | Input capacitance | | | 10 | | pF |
| H21 | Input leakage | | -0.9 | | 0.9 | uA |

Test Conditions

DCVDD = 1.2V, AVDD2 = DBVDD = CPVDD = 1.8V, AVDD1 = 3.0V, SPKVDD = 5V, DGND=AGND=CPGND=SPKGND=0V, T_A = +25°C, 1kHz sinusoidal signal, fs = 48kHz, PGA gain = 0dB, 24-bit audio data unless otherwise stated.

| PARAMETER | | TEST CONDITIONS | MIN | TYP | MAX | UNIT |
|-------------|---|---|--|-------|--|------|
| FLL | | | | | | |
| H22 | Input Frequency | FLL_CLK_REF_DIV = 00 | 0.032 | | 13.5 | MHz |
| | | FLL_CLK_REF_DIV = 01 | 0.032 | | 27 | MHz |
| H23 | Lock time | F _{REF} =32kHz, F _{OUT} =12.288MHz | | 2.5 | | ms |
| | | F _{REF} =12MHz, F _{OUT} =12.288MHz | | 300 | | μs |
| H24 | Free-running mode start-up time | VMID enabled | | 100 | | μs |
| H25 | Free-running mode frequency accuracy | Reference supplied initially | | +/-10 | | % |
| | | No reference provided | | +/-30 | | % |
| GPIO | | | | | | |
| H26 | Interrupt response time for accessory / button detect | Input de-bounced | 2 ¹⁹ / f _{CLK_SYS} | | 2 ²² / f _{CLK_SYS} | s |
| | | Input not de-bounced | | 0 | | s |

TERMINOLOGY

1. Signal-to-Noise Ratio (dB) – SNR is a measure of the difference in level between the maximum full scale output signal and the output with no input signal applied.
2. Total Harmonic Distortion (dB) – THD is the level of the rms value of the sum of harmonic distortion products relative to the amplitude of the measured output signal.
3. Total Harmonic Distortion plus Noise (dB) – THD+N is the level of the rms value of the sum of harmonic distortion products plus noise in the specified bandwidth relative to the amplitude of the measured output signal.
4. Crosstalk (L/R) (dB) – left-to-right and right-to-left channel crosstalk is the measured signal level in the idle channel at the test signal frequency relative to the signal level at the output of the active channel. The active channel is configured and supplied with an appropriate input signal to drive a full scale output, with signal measured at the output of the associated idle channel.
5. Multi-Path Channel Separation (dB) – is the measured signal level in the idle path at the test signal frequency relative to the signal level at the output of the active path. The active path is configured and supplied with an appropriate input signal to drive a full scale output, with signal measured at the output of the specified idle path.
6. Mute Attenuation – This is a measure of the difference in level between the full scale output signal and the output with mute applied.
7. All performance measurements carried out with 20kHz low pass filter, and where noted an A-weighted filter. Failure to use such a filter will result in higher THD and lower SNR readings than are found in the Electrical Characteristics. The low pass filter removes out of band noise; although it is not audible it may affect dynamic specification values.

TYPICAL PERFORMANCE

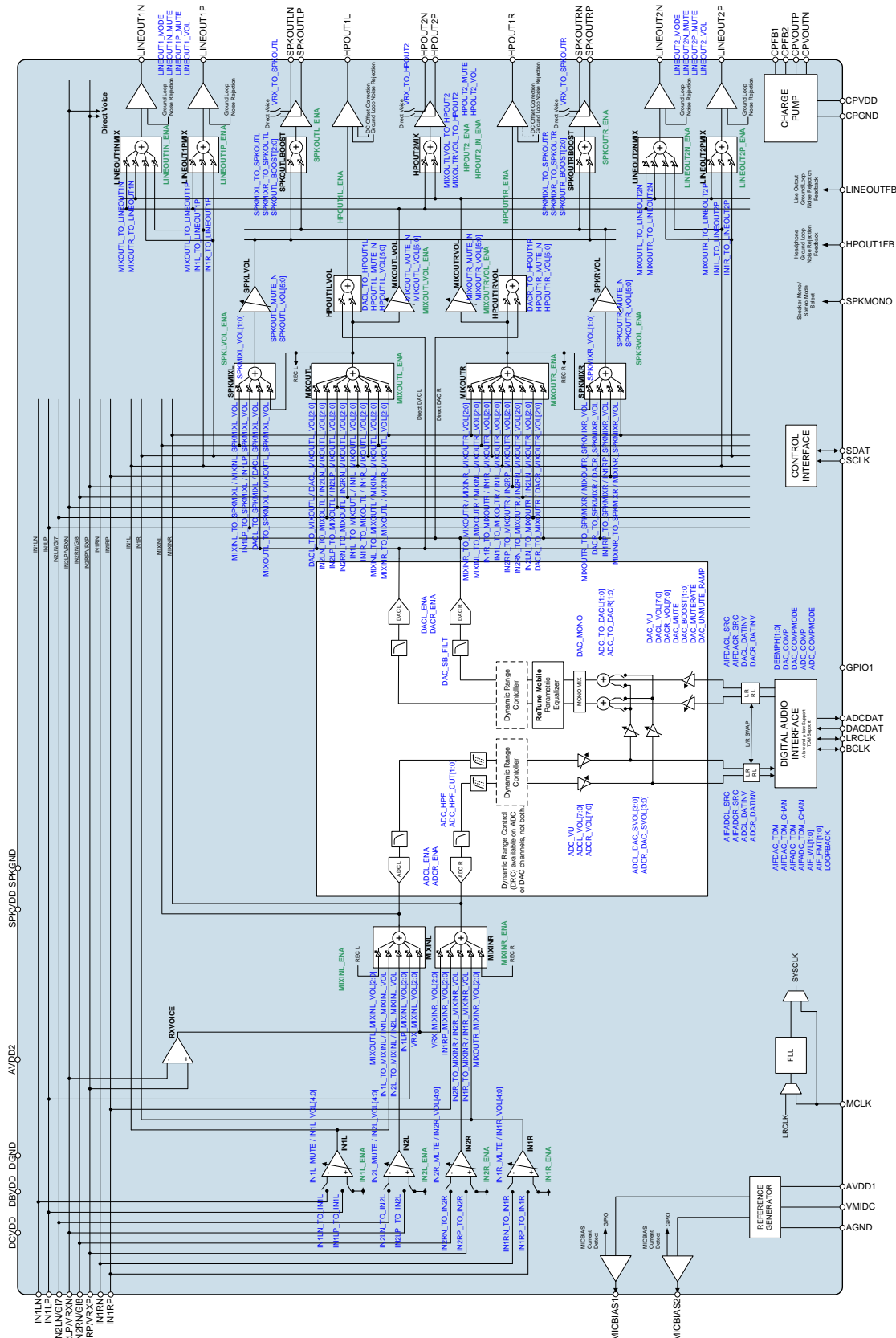
POWER CONSUMPTION

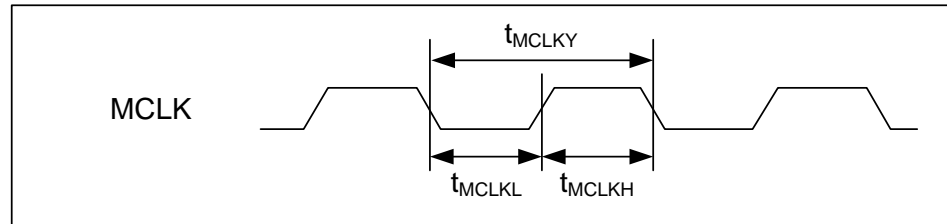
| Mode | Other settings | AVDD1 (V) | SPKVDD (V) | AVDD2 (V) | CPVDD (V) | DBVDD (V) | DCVDD (V) | iAVDD1 (μ A) | iSPKVDD (μ A) | iAVDD2 (μ A) | iCPVDD (μ A) | iDBVDD (μ A) | iDCVDD (μ A) | TOTAL (mW) |
|--|----------------|--------------|---------------|--------------|--------------|--------------|--------------|----------------------|-----------------------|----------------------|----------------------|----------------------|----------------------|---------------|
| Battery Leakage | | | | | | | | | | | | | | |
| All supplies except SPKVDD disabled | | 0.0 | 2.7 | 0.0 | 0.0 | 0.0 | 0.0 | 0.000 | 0.392 | 0.000 | 0.000 | 0.000 | 0.000 | 0.001 |
| | | 0.0 | 3.7 | 0.0 | 0.0 | 0.0 | 0.0 | 0.000 | 0.451 | 0.000 | 0.000 | 0.000 | 0.000 | 0.002 |
| | | 0.0 | 4.2 | 0.0 | 0.0 | 0.0 | 0.0 | 0.000 | 0.514 | 0.000 | 0.000 | 0.000 | 0.000 | 0.002 |
| | | 0.0 | 5.0 | 0.0 | 0.0 | 0.0 | 0.0 | 0.000 | 0.627 | 0.000 | 0.000 | 0.000 | 0.000 | 0.003 |
| | | 0.0 | 5.5 | 0.0 | 0.0 | 0.0 | 0.0 | 0.000 | 0.795 | 0.000 | 0.000 | 0.000 | 0.000 | 0.004 |
| Standby / Sleep Leakage | | | | | | | | | | | | | | |
| OFF (thermal sensor disabled) | | No clocks | | | | | | | | | | | | |
| | | 2.24 | 2.7 | 1.71 | 1.71 | 1.62 | 1.08 | 4.711 | 0.631 | 4.059 | 4.352 | 4.545 | 0.972 | 0.035 |
| | | 3.0 | 5.0 | 1.8 | 1.8 | 1.8 | 1.2 | 5.919 | 1.463 | 4.215 | 4.223 | 6.352 | 1.015 | 0.053 |
| | | 3.3 | 5.5 | 2.0 | 2.0 | 3.6 | 2.0 | 6.410 | 1.987 | 4.423 | 4.243 | 38.094 | 1.619 | 0.190 |
| OFF (thermal sensor enabled) Default state at power-up | | No clocks | | | | | | | | | | | | |
| | | 2.24 | 2.7 | 1.71 | 1.71 | 1.62 | 1.08 | 4.801 | 0.576 | 23.707 | 4.223 | 4.454 | 0.998 | 0.068 |
| | | 3.0 | 5.0 | 1.8 | 1.8 | 1.8 | 1.2 | 5.673 | 1.454 | 23.977 | 4.251 | 6.359 | 1.045 | 0.088 |
| | | 3.3 | 5.5 | 2.0 | 2.0 | 3.6 | 2.0 | 6.186 | 1.942 | 24.657 | 4.523 | 38.016 | 1.585 | 0.229 |
| OFF (thermal sensor enabled) Default state at power-up | | With clocks | | | | | | | | | | | | |
| | | 2.24 | 2.7 | 1.71 | 1.71 | 1.62 | 1.08 | 4.663 | 0.761 | 23.701 | 3.988 | 6.872 | 201.000 | 0.288 |
| | | 3.0 | 5.0 | 1.8 | 1.8 | 1.8 | 1.2 | 5.737 | 1.467 | 24.029 | 4.132 | 9.075 | 225.000 | 0.362 |
| | | 3.3 | 5.5 | 2.0 | 2.0 | 3.6 | 2.0 | 6.409 | 1.975 | 24.564 | 4.451 | 48.040 | 420.000 | 1.103 |
| DAC Playback | | | | | | | | | | | | | | |
| DAC to Headphone 16ohm (DAC->HPOUTVOL->HPOUT1) | | fs=48kHz | | | | | | | | | | | | |
| | | 2.24 | 2.7 | 1.71 | 1.71 | 1.62 | 1.08 | 1.424 | 0.000 | 0.103 | 0.908 | 0.007 | 0.796 | 5.789 |
| | | 3.0 | 5.0 | 1.8 | 1.8 | 1.8 | 1.2 | 1.950 | 0.001 | 0.149 | 1.248 | 0.009 | 0.888 | 9.453 |
| | | 3.3 | 5.5 | 2.0 | 2.0 | 3.6 | 2.0 | 2.165 | 0.002 | 0.305 | 2.637 | 0.046 | 1.594 | 16.392 |
| DAC to Stereo Speaker AB 8ohm (DAC->SPKMIX->SPKVOL->SPKOUT) | | fs=48kHz | | | | | | | | | | | | |
| | | 2.24 | 2.7 | 1.71 | 1.71 | 1.62 | 1.08 | 1.617 | 6.083 | 0.098 | 0.004 | 0.007 | 0.768 | 21.062 |
| | | 3.0 | 5.0 | 1.8 | 1.8 | 1.8 | 1.2 | 2.213 | 9.098 | 0.119 | 0.004 | 0.009 | 0.857 | 53.396 |
| | | 3.3 | 5.5 | 2.0 | 2.0 | 3.6 | 2.0 | 2.457 | 10.237 | 0.131 | 0.004 | 0.045 | 1.538 | 67.922 |
| DAC to Stereo Speaker D 8ohm (DAC->SPKMIX->SPKVOL->SPKOUT) | | fs=48kHz | | | | | | | | | | | | |
| | | 2.24 | 2.7 | 1.71 | 1.71 | 1.62 | 1.08 | 1.627 | 0.577 | 0.891 | 0.004 | 0.007 | 0.773 | 7.579 |
| | | 3.0 | 5.0 | 1.8 | 1.8 | 1.8 | 1.2 | 2.231 | 1.078 | 1.190 | 0.004 | 0.009 | 0.863 | 15.285 |
| | | 3.3 | 5.5 | 2.0 | 2.0 | 3.6 | 2.0 | 2.476 | 1.202 | 1.334 | 0.005 | 0.046 | 1.547 | 20.717 |
| ADC Record | | | | | | | | | | | | | | |
| ADC Record (IN1L/N/P & IN1R/N/P->IN1L/IN1R->MIXIN->ADC) | | fs=48kHz | | | | | | | | | | | | |
| | | 2.24 | 2.7 | 1.71 | 1.71 | 1.62 | 1.08 | 6.393 | 0.000 | 0.043 | 0.004 | 0.021 | 0.941 | 15.452 |
| | | 3.0 | 5.0 | 1.8 | 1.8 | 1.8 | 1.2 | 7.149 | 0.001 | 0.045 | 0.004 | 0.025 | 1.049 | 22.846 |
| | | 3.3 | 5.5 | 2.0 | 2.0 | 3.6 | 2.0 | 7.430 | 0.002 | 0.048 | 0.004 | 0.075 | 1.890 | 28.685 |
| Analogue Bypass | | | | | | | | | | | | | | |
| VRX to Earpiece 16ohm (VRXN/P->HPOUT2) | | | | | | | | | | | | | | |
| | | 2.24 | 2.7 | 1.71 | 1.71 | 1.62 | 1.08 | 4.120 | 0.000 | 0.043 | 0.004 | 0.004 | 0.001 | 9.318 |
| | | 3.0 | 5.0 | 1.8 | 1.8 | 1.8 | 1.2 | 5.704 | 0.001 | 0.045 | 0.004 | 0.006 | 0.001 | 17.221 |
| | | 3.3 | 5.5 | 2.0 | 2.0 | 3.6 | 2.0 | 6.335 | 0.002 | 0.048 | 0.004 | 0.038 | 0.002 | 21.161 |

Notes:

1. Power in the load is included.
2. All figures are quoted at $T_A = 25^\circ\text{C}$.
3. All figures are quoted as quiescent current unless otherwise stated.

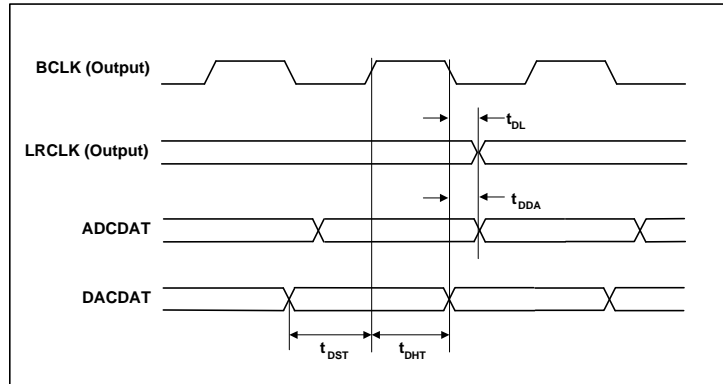
AUDIO SIGNAL PATHS DIAGRAM



SIGNAL TIMING REQUIREMENTS
MASTER CLOCK

Figure 2 Master Clock Timing
Test Conditions

The following timing information is valid across the full range of recommended operating conditions.

| PARAMETER | SYMBOL | CONDITIONS | MIN | TYP | MAX | UNIT |
|---|-------------|------------------------------|-------|-----|-------|------|
| Master Clock Timing | | | | | | |
| MCLK cycle time | T_{MCLKY} | (MCLK as input to FLL) | 33.33 | | | ns |
| | | (FLL not used, MCLK_DIV = 1) | 40 | | | ns |
| | | (FLL not used, MCLK_DIV = 0) | 80 | | | ns |
| MCLK duty cycle (= $T_{MCLKH} : T_{MCLKL}$) | | | 60:40 | | 40:60 | |

AUDIO INTERFACE TIMING
MASTER MODE

Figure 3 Audio Interface Timing - Master Mode

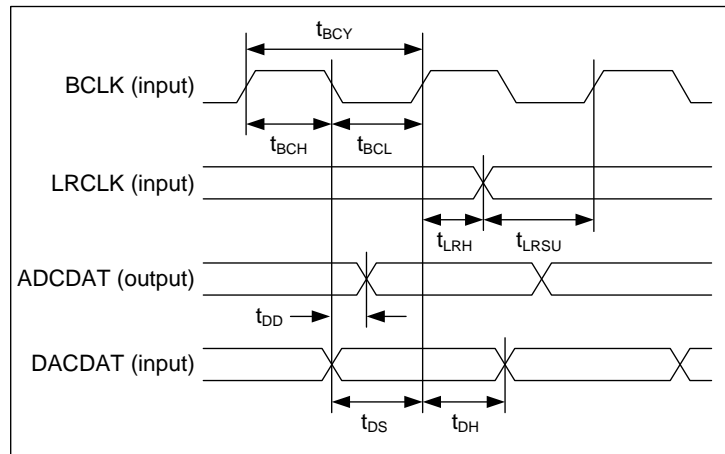
Note that BCLK and LRCLK outputs can be inverted if required; Figure 3 shows the default, non-inverted polarity of these signals.

Test Conditions

The following timing information is valid across the full range of recommended operating conditions.

| PARAMETER | SYMBOL | MIN | TYP | MAX | UNIT |
|---|-----------|-----|-----|-----|------|
| Audio Interface Timing - Master Mode | | | | | |
| LRCLK propagation delay from BCLK falling edge | t_{DL} | | | 20 | ns |
| ADCDAT propagation delay from BCLK falling edge | t_{DDA} | | | 20 | ns |
| DACDAT setup time to BCLK rising edge | t_{DST} | 20 | | | ns |
| DACDAT hold time from BCLK rising edge | t_{DHT} | 10 | | | ns |

Note that the descriptions above assume non-inverted polarity of BCLK and LRCLK.

SLAVE MODE

Figure 4 Audio Interface Timing - Slave Mode

Note that BCLK and LRCLK inputs can be inverted if required; Figure 4 shows the default, non-inverted polarity.

Test Conditions

The following timing information is valid across the full range of recommended operating conditions.

| PARAMETER | SYMBOL | MIN | TYP | MAX | UNIT |
|---|------------|-----|-----|-----|------|
| Audio Interface Timing - Slave Mode | | | | | |
| BCLK cycle time | t_{BCY} | 50 | | | ns |
| BCLK pulse width high | t_{BCH} | 20 | | | ns |
| BCLK pulse width low | t_{BCL} | 20 | | | ns |
| LRCLK set-up time to BCLK rising edge | t_{LRSU} | 20 | | | ns |
| LRCLK hold time from BCLK rising edge | t_{LRH} | 10 | | | ns |
| DACDAT hold time from BCLK rising edge | t_{DH} | 10 | | | ns |
| ADCDAT propagation delay from BCLK falling edge | t_{DD} | | | 20 | ns |
| DACDAT set-up time to BCLK rising edge | t_{DS} | 20 | | | ns |

Note: BCLK period must always be greater than or equal to MCLK period.

Note: the descriptions above assume non-inverted polarity of BCLK and LRCLK.

TDM MODE

In TDM mode, it is important that two ADC devices do not attempt to drive the ADCDAT pin simultaneously. The timing of the WM8993 ADCDAT tri-stating at the start and end of the data transmission is described below.

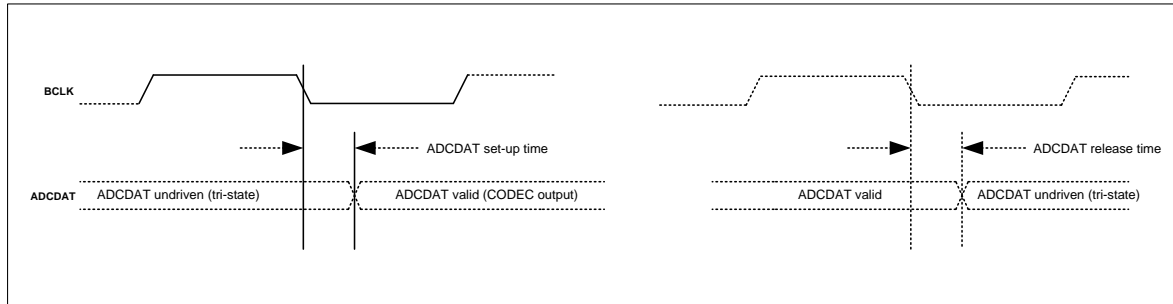
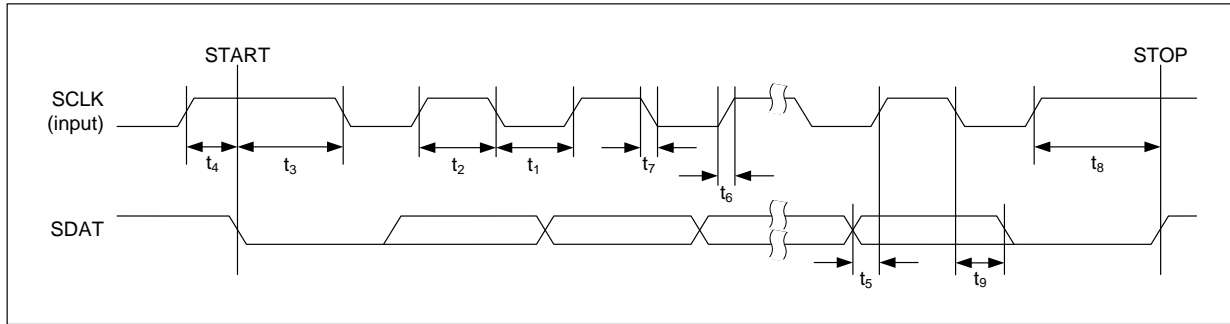


Figure 5 Audio Interface Timing - TDM Mode

Test Conditions

The following timing information is valid across the full range of recommended operating conditions.

| PARAMETER | CONDITIONS | MIN | TYP | MAX | UNIT |
|--|--------------------------------|-----|-----|-----|------|
| Audio Data Timing Information | | | | | |
| ADCDAT setup time from BCLK falling edge | DCVDD = 2.0V DBVDD = 3.6V | | 5 | | ns |
| | DCVDD = 1.08V DBVDD = 1.62V | | 15 | | ns |
| ADCDAT release time from BCLK falling edge | DCVDD = 2.0V DBVDD = 3.6V | | 5 | | ns |
| | DCVDD = 1.08V DBVDD = 1.62V | | 15 | | ns |

CONTROL INTERFACE TIMING

Figure 6 Control Interface Timing
Test Conditions

The following timing information is valid across the full range of recommended operating conditions.

| PARAMETER | SYMBOL | MIN | TYP | MAX | UNIT |
|---|----------|------|-----|-----|------|
| SCLK Frequency | | | | 400 | kHz |
| SCLK Low Pulse-Width | t_1 | 1300 | | | ns |
| SCLK High Pulse-Width | t_2 | 600 | | | ns |
| Hold Time (Start Condition) | t_3 | 600 | | | ns |
| Setup Time (Start Condition) | t_4 | 600 | | | ns |
| Data Setup Time | t_5 | 100 | | | ns |
| SDAT, SCLK Rise Time | t_6 | | | 300 | ns |
| SDAT, SCLK Fall Time | t_7 | | | 300 | ns |
| Setup Time (Stop Condition) | t_8 | 600 | | | ns |
| Data Hold Time | t_9 | | | 900 | ns |
| Pulse width of spikes that will be suppressed | t_{ps} | 0 | | 5 | ns |

DEVICE DESCRIPTION

INTRODUCTION

The WM8993 is a low power, high quality audio codec designed to interface with a wide range of processors and analogue components. A high level of mixed-signal integration in a very small 3.65 x 3.55mm footprint makes it ideal for portable applications such as mobile phones. Fully differential internal architecture and on-chip RF noise filters ensure a very high degree of noise immunity.

Eight highly flexible analogue inputs allow interfacing to up to four microphone inputs (single-ended or differential), plus multiple stereo or mono line inputs. Connections to an external voice CODEC, FM radio, melody IC, line input, handset MIC and headset MIC are all fully supported. Signal routing to the output mixers and within the CODEC has been designed for maximum flexibility to support a wide variety of usage modes. A 'Direct Voice' path from a voice CODEC directly to the Speaker or Earpiece output drivers is included.

Nine analogue output drivers are integrated, including a stereo pair of high power, high quality Class D/AB switchable speaker drivers; these can support 1W each in stereo mode, or can be coupled to support a 2W mono speaker output. A mono earpiece driver is provided, providing output from the output mixers or from the low-power differential 'Direct Voice' path.

One pair of ground-reference headphone outputs is provided; these are powered from an integrated Charge Pump, enabling high quality, power efficient headphone playback without any requirement for DC blocking capacitors. A DC Servo circuit is available for DC offset correction, thereby suppressing pops and reducing power consumption. Four line outputs are provided, with multiple configuration options including 4 x single-ended output or 2 x differential outputs. The line outputs are suitable for output to a voice CODEC or an external speaker driver. They are also capable of driving ear speakers and stereo headsets. Ground loop feedback is available on the headphone outputs and the line outputs, providing rejection of noise on the ground connections. All outputs have integrated pop and click suppression features.

Internal differential signal routing and amplifier configurations have been optimised to provide the lowest possible power consumption for a wide range of usage scenarios, including voice calls and music playback. The speaker drivers offer low leakage and high PSRR; this enables direct connection to a Lithium battery. The speaker drivers provide eight levels of AC and DC gain to allow output signal levels to be maximised for many commonly-used SPKVDD/AVDD1 combinations.

The stereo ADCs and DACs are of hi-fi quality, using a 24-bit low-order oversampling architecture to deliver optimum performance. A flexible clocking arrangement supports mixed ADC and DAC sample rates, whilst an integrated ultra-low power FLL provides additional flexibility. A high pass filter is available in the ADC path for removing DC offsets and suppressing low frequency noise such as mechanical vibration and wind noise. A digital mixing path from the ADC to the DAC provides a sidetone of enhanced quality during voice calls. DAC soft mute and un-mute is available for pop-free music playback.

The integrated Dynamic Range Controller (DRC) and ReTune Mobile 5-band parametric equaliser (EQ) provide further processing capability of the digital audio paths. The DRC provides compression and signal level control to improve the handling of unpredictable signal levels. 'Anti-clip' and 'quick release' algorithms improve intelligibility in the presence of transients and impulsive noises. The EQ provides the capability to tailor the audio path according to the frequency characteristics of an earpiece or loudspeaker, and/or according to user preferences.

The WM8993 has a highly flexible digital audio interface, supporting a number of protocols, including I²S, DSP, MSB-first left/right justified, and can operate in master or slave modes. PCM operation is supported in the DSP mode. A-law and μ -law companding are also supported. Time division multiplexing (TDM) is available to allow multiple devices to stream data simultaneously on the same bus, saving space and power.

The system clock (CLK_SYS) provides clocking for the ADCs, DACs, DSP core, digital audio interface and other circuits. CLK_SYS can be derived directly from the MCLK pin or via an integrated FLL, providing flexibility to support a wide range of clocking schemes. Typical portable system MCLK frequencies, and sample rates from 8kHz to 48kHz are all supported. Automatic configuration of the clocking circuits is available, derived from the sample rate and from the MCLK / CLK_SYS ratio.

The integrated FLL can be used as a free-running oscillator, enabling autonomous clocking of the Class D drivers, Headphone Charge Pump and DC Servo if required. (Note that hi-fi ADC / DAC operation requires an external crystal.)

The WM8993 uses a standard 2-wire control interface, providing full software control of all features, together with device register readback. An integrated Control Write Sequencer enables automatic scheduling of control sequences; commonly-used signal configurations may be selected using ready-programmed sequences, including time-optimised control of the WM8993 pop suppression features. It is an ideal partner for a wide range of industry standard microprocessors, controllers and DSPs. Unused circuitry can be disabled under software control, in order to save power; low leakage currents enable extended standby/off time in portable battery-powered applications.

Versatile GPIO functionality is provided, with support for button/accessory detect inputs, or for clock, system status, or programmable logic level output for control of additional external circuitry. Interrupt logic, status readback and de-bouncing options are supported within this functionality.

INPUT SIGNAL PATH

The WM8993 has eight highly flexible analogue input channels, configurable in a large number of combinations:

1. Up to four fully differential or single-ended microphone inputs
2. Up to eight mono line inputs or 4 stereo line inputs
3. A dedicated mono differential input from external voice CODEC

These inputs may be mixed together or independently routed to different combinations of output drivers. An internal record path is provided at the input mixers to allow DAC output to be mixed with the input signal path (e.g. for voice call recording).

The WM8993 input signal paths and control registers are illustrated in Figure 7.

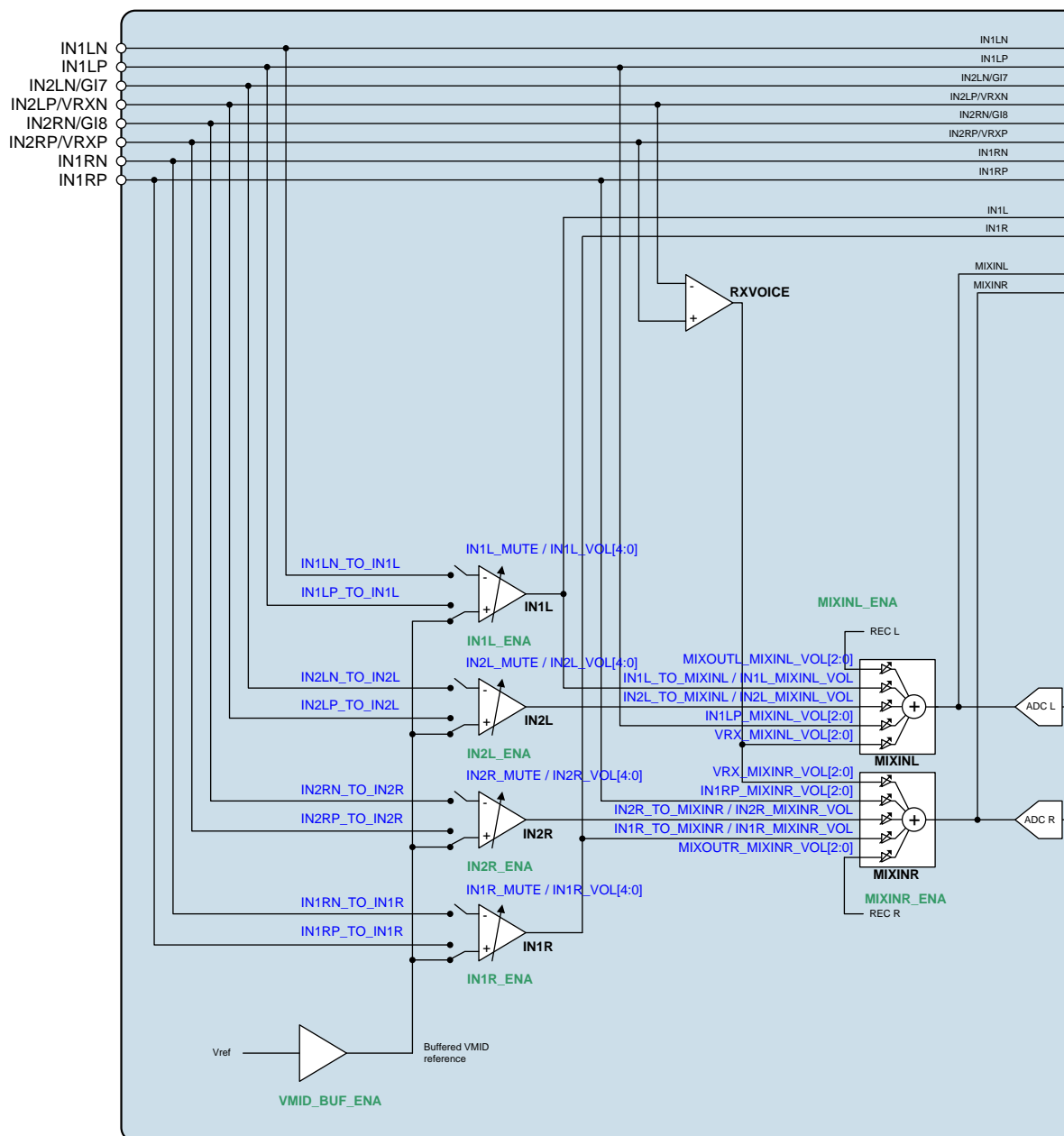


Figure 7 Control Registers for Input Signal Path

MICROPHONE INPUTS

Up to four microphones can be connected to the WM8993, either in single-ended or differential mode. A dedicated PGA is provided for each microphone input. Two low noise microphone bias circuits are provided, reducing the need for external components.

For single-ended microphone inputs, the microphone signal is connected to the inverting input of the PGAs (IN1LN, IN2LN, IN1RN or IN2RN). The non-inverting inputs of the PGAs are internally connected to VMID in this configuration. The non-inverting input pins IN1LP, IN2LP, IN1RP and IN2RP are free to be used as line connections to the input or output mixers in this configuration.

For differential microphone inputs, the non-inverted microphone signal is connected to the non-inverting input of the PGAs (IN1LP, IN2LP, IN1RP or IN2RP), whilst the inverted (or 'noisy ground') signal is connected to the inverting input pins (IN1LN, IN2LN, IN1RN and IN2RN).

The gain of the input PGAs is controlled via register settings, as defined in Table 4. Note that the input impedance of both inverting and non-inverting inputs changes with the input PGA gain setting, as described under "Electrical Characteristics". See also the "Applications Information" for details of input resistance at all PGA Gain settings.

The microphone input configurations are illustrated in Figure 8 and Figure 9. Note that any PGA input pin that is used in either microphone configuration is not available for use as a line input path at the same time.

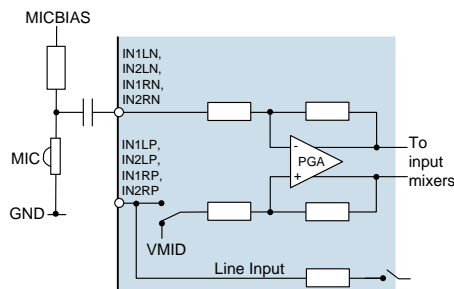


Figure 8 Single-Ended Microphone Input

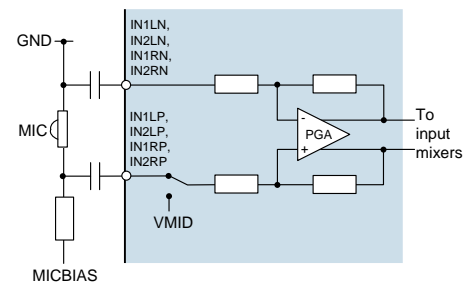


Figure 9 Differential Microphone Input

MICROPHONE BIAS CONTROL

There are two MICBIAS generators which provide low noise reference voltages suitable for biasing electret condenser (ECM) type microphones via an external resistor. Note that an external decoupling capacitor is also required on each of the MICBIAS outputs. A suitable capacitor must be connected whenever the associated MICBIAS output is enabled. Refer to the "Applications Information" section for recommended external components.

The MICBIAS voltages can be enabled using the MICB1_ENA and MICB2_ENA control bits; the voltage of each can be selected using the MICB1_LVL and MICB2_LVL register bits as detailed in Table 1.

| REGISTER ADDRESS | BIT | LABEL | DEFAULT | DESCRIPTION |
|----------------------------------|-----|-----------|---------|---|
| R1 (01h) Power Management (1) | 5 | MICB2_ENA | 0b | Microphone Bias 2 Enable 0 = OFF (high impedance output) 1 = ON |
| | 4 | MICB1_ENA | 0b | Microphone Bias 1 Enable 0 = OFF (high impedance output) 1 = ON |

| REGISTER ADDRESS | BIT | LABEL | DEFAULT | DESCRIPTION |
|----------------------|-----|-----------|---------|--|
| R58 (3Ah) MICBIAS | 1 | MICB2_LVL | 0b | Microphone Bias 2 Voltage Control 0 = 0.9 * AVDD1 1 = 0.65 * AVDD1 |
| | 0 | MICB1_LVL | 0b | Microphone Bias 1 Voltage Control 0 = 0.9 * AVDD1 1 = 0.65 * AVDD1 |

Table 1 Microphone Bias Control

Note that the maximum source current capability for MICBIAS1 and MICBIAS2 is 2.4mA each. The external biasing resistance must be large enough to limit each MICBIAS current to 2.4mA across the full microphone impedance range.

An external capacitor is required on MICBIAS1 and MICBIAS2 in order to ensure accuracy and stability of each regulator. The recommended capacitance is 4.7µF in each case. See “Recommended External Components” for further details.

Note that, if the MICBIAS1 or MICBIAS2 regulator is not enabled, then no external capacitor is required on the respective MICBIAS pin.

MICROPHONE CURRENT DETECT

A MICBIAS current detect function allows detection of accessories such as headset microphones. When the MICBIAS load current exceeds one of two programmable thresholds, (e.g. short circuit current or normal operating current), an interrupt or GPIO output can be generated. The current detection circuit is enabled by the JD_ENA bit; the current thresholds are selected by the JD_THR and JD_SCTHR register fields as described in Table 66. See “General Purpose Input/Output” for a full description of these fields.

LINE AND VOICE CODEC INPUTS

All eight analogue input pins may be used as line inputs. Each line input has different signal path options, providing flexibility, high performance and low power consumption for many different usage modes.

IN1LN and IN1RN can operate as single-ended line inputs to the input PGAs IN1L and IN1R respectively. These inputs provide a high gain path if required for low input signal levels.

IN2LN and IN2RN can operate as single-ended line inputs to the input PGAs IN2L and IN2R respectively, providing further high gain signal paths. These pins can also be connected to either of the output mixers MIXOUTL and MIXOUTR.

IN1LP and IN1RP can operate as single-ended line inputs to the input mixers MIXINL and MIXINR, or to the speaker mixers SPKMIXL and SPKMIXR. These signal paths enable power consumption to be reduced, by allowing the input PGAs and other circuits to be disabled if not required.

IN2LP/VRXN and IN2RP/VRXP can operate in three different ways:

- Mono differential 'RXVOICE' input (e.g. from an external voice CODEC) to the input mixers MIXINL and MIXINR.
- Single-ended line inputs to either of the output mixers MIXOUTL and MIXOUTR.
- Ultra-low power mono differential 'Direct Voice' input (e.g. from an external voice CODEC) to the ear speaker driver on HPOUT2, or to either of the speaker drivers on SPKOUTL and SPKOUTR.

Signal path configuration to the input PGAs and input mixers is detailed later in this section. Signal path configuration to the output mixers and speaker mixers is described in “Output Signal Path”.

The line input and voice CODEC input configurations are illustrated in Figure 10 through to Figure 13.

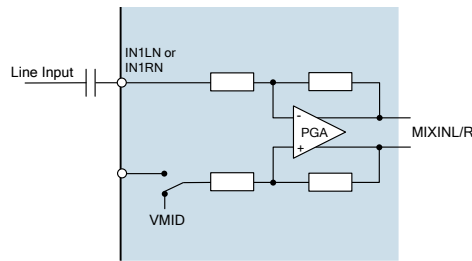


Figure 10 IN1LN or IN1RN as Line Inputs

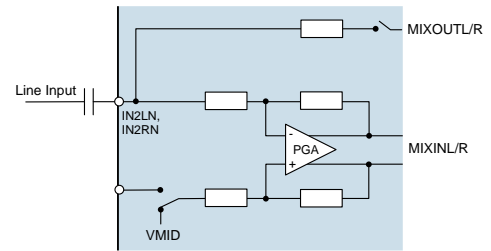


Figure 11 IN2LN or IN2RN as Line Inputs

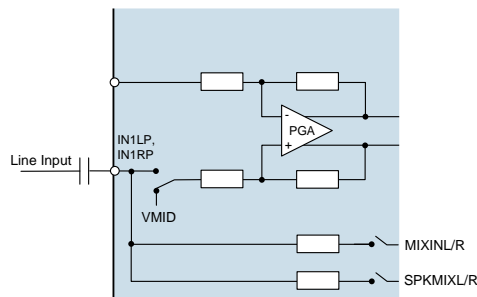


Figure 12 IN1LP or IN1RP as Line Inputs

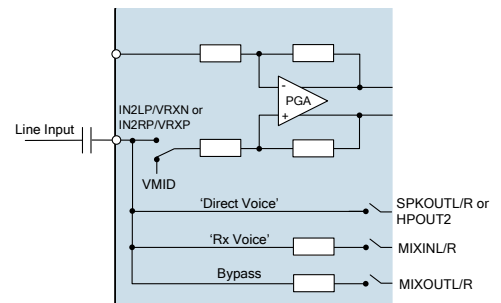


Figure 13 IN2LP or IN2RP as Line Inputs

INPUT PGA ENABLE

The Input PGAs are enabled using register bits IN1L_ENA, IN2L_ENA, IN1R_ENA and IN2R_ENA, as described in Table 2. The Input PGAs must be enabled for microphone input on the respective input pins, or for line input on the inverting input pins IN1LN, IN1RN, IN2LN, IN2RN.

| REGISTER ADDRESS | BIT | LABEL | DEFAULT | DESCRIPTION |
|-------------------------------------|-----|----------|---------|--|
| R2 (02h) Power Management (2) | 7 | IN2L_ENA | 0b | IN2L Input PGA Enable 0 = Disabled 1 = Enabled |
| | 6 | IN1L_ENA | 0b | IN1L Input PGA Enable 0 = Disabled 1 = Enabled |
| | 5 | IN2R_ENA | 0b | IN2R Input PGA Enable 0 = Disabled 1 = Enabled |
| | 4 | IN1R_ENA | 0b | IN1R Input PGA Enable 0 = Disabled 1 = Enabled |

Table 2 Input PGA Enable

For normal operation of the input PGAs, the reference voltage VMID and the bias current must also be enabled. See "Reference Voltages and Master Bias" for details of the associated controls VMID_SEL and BIAS_ENA.

INPUT PGA CONFIGURATION

Each of the Input PGAs can operate in a single-ended or differential mode. In differential mode, both inputs to the PGA are connected to the input source. In single-ended mode, the non-inverting input to the PGA must be connected to VMID. Configuration of the PGA inputs to the WM8993 input pins is controlled using the register bits shown in Table 3.

Single-ended microphone operation is configured by connecting the input source to the inverting input of the applicable PGA. The non-inverting input of the PGA must be connected to the buffered VMID reference. Note that the buffered VMID reference must be enabled, using the VMID_BUF_ENA register, as described in “Reference Voltages and Master Bias”.

Differential microphone operation is configured by connecting the input source to both inputs of the applicable PGA.

Line inputs to the input pins IN1LN, IN2LN, IN1RN and IN2RN must be connected to the applicable PGA. The non-inverting input of the PGA must be connected to VMID.

Line inputs to the input pins IN1LP, IN2LP, IN1RP or IN2RP do not connect to the input PGAs. The non-inverting inputs of the associated PGAs must be connected to VMID. The inverting inputs of the associated PGAs may be used as separate mic/line inputs if required.

The maximum available attenuation on any of these input paths is achieved by using register bits shown in Table 3 to disconnect the input pins from the applicable PGA.

| REGISTER ADDRESS | BIT | LABEL | DEFAULT | DESCRIPTION |
|---------------------------|-----|---------------|---------|---|
| R40 (28h) Input Mixer2 | 7 | IN2LP_TO_IN2L | 0b | IN2L PGA Non-Inverting Input Select 0 = Connected to VMID 1 = Connected to IN2LP Note that VMID_BUF_ENA must be set when using IN2L connected to VMID. |
| | 6 | IN2LN_TO_IN2L | 0b | IN2L PGA Inverting Input Select 0 = Not connected 1 = Connected to IN2LN |
| | 5 | IN1LP_TO_IN1L | 0b | IN1L PGA Non-Inverting Input Select 0 = Connected to VMID 1 = Connected to IN1LP Note that VMID_BUF_ENA must be set when using IN2L connected to VMID. |
| | 4 | IN1LN_TO_IN1L | 0b | IN1L PGA Inverting Input Select 0 = Not connected 1 = Connected to IN1LN |
| | 3 | IN2RP_TO_IN2R | 0b | IN2R PGA Non-Inverting Input Select 0 = Connected to VMID 1 = Connected to IN2RP Note that VMID_BUF_ENA must be set when using IN2L connected to VMID. |
| | 2 | IN2RN_TO_IN2R | 0b | IN2R PGA Inverting Input Select 0 = Not connected 1 = Connected to IN2RN |
| | 1 | IN1RP_TO_IN1R | 0b | IN1R PGA Non-Inverting Input Select 0 = Connected to VMID 1 = Connected to IN1RP Note that VMID_BUF_ENA must be set when using IN2L connected to VMID. |
| | 0 | IN1RN_TO_IN1R | 0b | IN1R PGA Inverting Input Select 0 = Not connected 1 = Connected to IN1RN |

Table 3 Input PGA Configuration

INPUT PGA VOLUME CONTROL

Each of the four Input PGAs has an independently controlled gain range of -16.5dB to +30dB in 1.5dB steps. The gains on the inverting and non-inverting inputs to the PGAs are always equal. Each Input PGA can be independently muted using the PGA mute bits as described in Table 4, with maximum mute attenuation achieved by simultaneously disconnecting the corresponding inputs described in Table 3.

To prevent "zipper noise", a zero-cross function is provided on the input PGAs. When this feature is enabled, volume updates will not take place until a zero-crossing is detected. In the case of a long period without zero-crossings, a timeout function is provided. When the zero-cross function is enabled, the volume will update after the timeout period if no earlier zero-cross has occurred. The timeout clock is enabled using TOCLK_ENA, the timeout period is set by TOCLK_RATE. See "Clocking and Sample Rates" for more information on these fields.

The IN1_VU and IN2_VU bits control the loading of the input PGA volume data. When IN1_VU and IN2_VU are set to 0, the PGA volume data will be loaded into the respective control register, but will not actually change the gain setting. The IN1L and IN1R volume settings are both updated when a 1 is written to IN1_VU; the IN2L and IN2R volume settings are both updated when a 1 is written to IN2_VU. This makes it possible to update the gain of the left and right signal paths simultaneously.

The Input PGA Volume Control register fields are described in Table 4 and Table 5.

| REGISTER ADDRESS | BIT | LABEL | DEFAULT | DESCRIPTION |
|---|-----|----------------|--------------|--|
| R24 (18h) Left Line Input 1&2 Volume | 8 | IN1_VU | N/A | Input PGA Volume Update Writing a 1 to this bit will cause IN1L and IN1R input PGA volumes to be updated simultaneously |
| | 7 | IN1L_MUTE | 1b | IN1L PGA Mute 0 = Disable Mute 1 = Enable Mute |
| | 6 | IN1L_ZC | 0b | IN1L PGA Zero Cross Detector 0 = Change gain immediately 1 = Change gain on zero cross only |
| | 4:0 | IN1L_VOL [4:0] | 01011b (0dB) | IN1L Volume -16.5dB to +30dB in 1.5dB steps (See Table 5 for volume range) |
| R25 (19h) Left Line Input 3&4 Volume | 8 | IN2_VU | N/A | Input PGA Volume Update Writing a 1 to this bit will cause IN2L and IN2R input PGA volumes to be updated simultaneously |
| | 7 | IN2L_MUTE | 1b | IN2L PGA Mute 0 = Disable Mute 1 = Enable Mute |
| | 6 | IN2L_ZC | 0b | IN2L PGA Zero Cross Detector 0 = Change gain immediately 1 = Change gain on zero cross only |
| | 4:0 | IN2L_VOL [4:0] | 01011b (0dB) | IN2L Volume -16.5dB to +30dB in 1.5dB steps (See Table 5 for volume range) |

| REGISTER ADDRESS | BIT | LABEL | DEFAULT | DESCRIPTION |
|--|-----|-------------------|-----------------|--|
| R26 (1Ah) Right Line Input 1&2 Volume | 8 | IN1_VU | N/A | Input PGA Volume Update Writing a 1 to this bit will cause IN1L and IN1R input PGA volumes to be updated simultaneously |
| | 7 | IN1R_MUTE | 1b | IN1R PGA Mute 0 = Disable Mute 1 = Enable Mute |
| | 6 | IN1R_ZC | 0b | IN1R PGA Zero Cross Detector 0 = Change gain immediately 1 = Change gain on zero cross only |
| | 4:0 | IN1R_VOL [4:0] | 01011b (0dB) | IN1R Volume -16.5dB to +30dB in 1.5dB steps (See Table 5 for volume range) |
| R27 (1Bh) Right Line Input 3&4 Volume | 8 | IN2_VU | N/A | Input PGA Volume Update Writing a 1 to this bit will cause IN2L and IN2R input PGA volumes to be updated simultaneously |
| | 7 | IN2R_MUTE | 1b | IN2R PGA Mute 0 = Disable Mute 1 = Enable Mute |
| | 6 | IN2R_ZC | 0b | IN2R PGA Zero Cross Detector 0 = Change gain immediately 1 = Change gain on zero cross only |
| | 4:0 | IN2R_VOL [4:0] | 01011b (0dB) | IN2R Volume -16.5dB to +30dB in 1.5dB steps (See Table 5 for volume range) |

Table 4 Input PGA Volume Control

| IN1L_VOL[4:0], IN2L_VOL[4:0], IN1R_VOL[4:0], IN2R_VOL[4:0] | VOLUME (dB) |
|---|----------------|
| 00000 | -16.5 |
| 00001 | -15.0 |
| 00010 | -13.5 |
| 00011 | -12.0 |
| 00100 | -10.5 |
| 00101 | -9.0 |
| 00110 | -7.5 |
| 00111 | -6.0 |
| 01000 | -4.5 |
| 01001 | -3.0 |
| 01010 | -1.5 |
| 01011 | 0 |
| 01100 | +1.5 |
| 01101 | +3.0 |
| 01110 | +4.5 |
| 01111 | +6.0 |
| 10000 | +7.5 |
| 10001 | +9.0 |
| 10010 | +10.5 |

| IN1L_VOL[4:0], IN2L_VOL[4:0], IN1R_VOL[4:0], IN2R_VOL[4:0] | VOLUME (dB) |
|---|----------------|
| 10011 | +12.0 |
| 10100 | +13.5 |
| 10101 | +15.0 |
| 10110 | +16.5 |
| 10111 | +18.0 |
| 11000 | +19.5 |
| 11001 | +21.0 |
| 11010 | +22.5 |
| 11011 | +24.0 |
| 11100 | +25.5 |
| 11101 | +27.0 |
| 11110 | +28.5 |
| 11111 | +30.0 |

Table 5 Input PGA Volume Range

INPUT MIXER ENABLE

The WM8993 has two analogue input mixers which allow the Input PGAs and Line Inputs to be combined in a number of ways and output to the ADCs, Output Mixers, or directly to the output drivers via bypass paths.

The input mixers MIXINL and MIXINR are enabled by the MIXINL_ENA and MIXINR_ENA register bits, as described in Table 6. These control bits also enable the RXVOICE input path, described in the following section.

| REGISTER ADDRESS | BIT | LABEL | DEFAULT | DESCRIPTION |
|----------------------------------|-----|------------|---------|---|
| R2 (02h) Power Management (2) | 9 | MIXINL_ENA | 0b | Left Input Mixer Enable (Enables MIXINL and RXVOICE input to MIXINL) 0 = Disabled 1 = Enabled |
| | 8 | MIXINR_ENA | 0b | Right Input Mixer Enable (Enables MIXINR and RXVOICE input to MIXINR) 0 = Disabled 1 = Enabled |

Table 6 Input Mixer Enable

INPUT MIXER CONFIGURATION AND VOLUME CONTROL

The left and right channel input mixers MIXINL and MIXINR can be configured to take input from up to five sources:

1. IN1L or IN1R Input PGA
2. IN2L or IN2R Input PGA
3. IN1LP or IN1RP pin (PGA bypass)
4. RXVOICE mono differential input from IN2LP/VRXN and IN2RP/VRXP
5. MIXOUTL or MIXOUTR Output Mixer (Record path)

The Input Mixer configuration and volume controls are described in Table 7 for the Left input mixer (MIXINL) and Table 8 for the Right input mixer (MIXINR). The signal levels from the Input PGAs may be set to Mute, 0dB or 30dB boost. Gain controls for the PGA bypass, RXVOICE and Record paths provide adjustment from -12dB to +6dB in 3dB steps.

To prevent pop noise, it is recommended that gain and mute controls for the input mixers are not modified while the signal paths are active. If volume control is required on these signal paths, it is recommended that this is implemented using the input PGA volume controls or the ADC volume controls. The ADC volume controls are described in the “Analogue to Digital Converter (ADC)” section.

| REGISTER ADDRESS | BIT | LABEL | DEFAULT | DESCRIPTION |
|---------------------------|-----|-----------------------------|----------------|--|
| R41 (29h) Input Mixer3 | 8 | IN2L_TO_MIXINL | 0b | IN2L PGA Output to MIXINL Mute 0 = Mute 1 = Un-Mute |
| | 7 | IN2L_MIXINL_VOL | 0b | IN2L PGA Output to MIXINL Gain 0 = 0dB 1 = +30dB |
| | 5 | IN1L_TO_MIXINL | 0b | IN1L PGA Output to MIXINL Mute 0 = Mute 1 = Un-Mute |
| | 4 | IN1L_MIXINL_VOL | 0b | IN1L PGA Output to MIXINL Gain 0 = 0dB 1 = +30dB |
| | 2:0 | MIXOUTL_MIXINL_VOL [2:0] | 000b (Mute) | Record Path MIXOUTL to MIXINL Gain and Mute 000 = Mute 001 = -12dB 010 = -9dB 011 = -6dB 100 = -3dB 101 = 0dB 110 = +3dB 111 = +6dB |
| R43 (2Bh) Input Mixer5 | 8:6 | IN1LP_MIXINL_VOL [2:0] | 000b (Mute) | IN1LP Pin (PGA Bypass) to MIXINL Gain and Mute 000 = Mute 001 = -12dB 010 = -9dB 011 = -6dB 100 = -3dB 101 = 0dB 110 = +3dB 111 = +6dB |
| | 2:0 | VRX_MIXINL_VOL [2:0] | 000b (Mute) | RXVOICE (VRXN/VRXP) Differential Input to MIXINL Gain and Mute 000 = Mute 001 = -12dB 010 = -9dB 011 = -6dB 100 = -3dB 101 = 0dB 110 = +3dB 111 = +6dB |

Table 7 Left Input Mixer (MIXINL) Volume Control

| REGISTER ADDRESS | BIT | LABEL | DEFAULT | DESCRIPTION |
|---------------------------|-----|-----------------------------|----------------|--|
| R42 (2A) Input Mixer4 | 8 | IN2R_TO_MIXINR | 0b | IN2R PGA Output to MIXINR Mute 0 = Mute 1 = Un-Mute |
| | 7 | IN2R_MIXINR_VOL | 0b | IN2R PGA Output to MIXINR Gain 0 = 0dB 1 = +30dB |
| | 5 | IN1R_TO_MIXINR | 0b | IN1R PGA Output to MIXINR Mute 0 = Mute 1 = Un-Mute |
| | 4 | IN1R_MIXINR_VOL | 0b | IN1R PGA Output to MIXINR Gain 0 = 0dB 1 = +30dB |
| | 2:0 | MIXOUTR_MIXINR_VOL [2:0] | 000b (Mute) | Record Path MIXOUTR to MIXINR Gain and Mute 000 = Mute 001 = -12dB 010 = -9dB 011 = -6dB 100 = -3dB 101 = 0dB 110 = +3dB 111 = +6dB |
| R44 (2Ch) Input Mixer6 | 8:6 | IN1RP_MIXINR_VOL [2:0] | 000b (Mute) | IN1RP Pin (PGA Bypass) to MIXINR Gain and Mute 000 = Mute 001 = -12dB 010 = -9dB 011 = -6dB 100 = -3dB 101 = 0dB 110 = +3dB 111 = +6dB |
| | 2:0 | VRX_MIXINR_VOL [2:0] | 000b (Mute) | RXVOICE (VRXN/VRXP) Differential Input to MIXINR Gain and Mute 000 = Mute 001 = -12dB 010 = -9dB 011 = -6dB 100 = -3dB 101 = 0dB 110 = +3dB 111 = +6dB |

Table 8 Right Input Mixer (MIXINR) Volume Control

ANALOGUE TO DIGITAL CONVERTER (ADC)

The WM8993 uses stereo 24-bit, 128x oversampled sigma-delta ADCs. The use of multi-bit feedback and high oversampling rates reduces the effects of jitter and high frequency noise. An oversample rate of 64x can also be supported - see "Clocking and Sample Rates" for details. The ADC full scale input level is proportional to AVDD1 - see "Electrical Characteristics". Any input signal greater than full scale may overload the ADC and cause distortion.

The ADCs are enabled by the ADCL_ENA and ADCR_ENA register bits.

| REGISTER ADDRESS | BIT | LABEL | DEFAULT | DESCRIPTION |
|----------------------------------|-----|----------|---------|---|
| R2 (02h) Power Management (2) | 1 | ADCL_ENA | 0 | Left ADC Enable 0 = ADC disabled 1 = ADC enabled |
| | 0 | ADCR_ENA | 0 | Right ADC Enable 0 = ADC disabled 1 = ADC enabled |

Table 9 ADC Enable Control

ADC DIGITAL VOLUME CONTROL

The output of the ADCs can be digitally amplified or attenuated over a range from -71.625dB to +17.625dB in 0.375dB steps. The volume of each channel can be controlled separately. The gain for a given eight-bit code X is given by:

$$0.375 \times (X-192) \text{ dB for } 1 \leq X \leq 239; \quad \text{MUTE for } X = 0 \quad +17.625\text{dB for } 239 \leq X \leq 255$$

The ADC_VU bit controls the loading of digital volume control data. When ADC_VU is set to 0, the ADCL_VOL or ADCR_VOL control data will be loaded into the respective control register, but will not actually change the digital gain setting. Both left and right gain settings are updated when a 1 is written to ADC_VU. This makes it possible to update the gain of both channels simultaneously.

| REGISTER ADDRESS | BIT | LABEL | DEFAULT | DESCRIPTION |
|---------------------------------------|-----|----------------|-----------------|--|
| R15 (0Fh) Left ADC Digital Volume | 8 | ADC_VU | N/A | ADC Volume Update Writing a 1 to this bit will cause left and right ADC volume to be updated simultaneously |
| | 7:0 | ADCL_VOL [7:0] | 1100_0000 (0dB) | Left ADC Digital Volume 00h = MUTE 01h = -71.625dB ... (0.375dB steps) EFh = +17.625dB (See Table 11 for volume range) |
| R16 (10h) Right ADC Digital Volume | 8 | ADC_VU | N/A | ADC Volume Update Writing a 1 to this bit will cause left and right ADC volume to be updated simultaneously |
| | 7:0 | ADCR_VOL [7:0] | 1100_0000 (0dB) | Right ADC Digital Volume 00h = MUTE 01h = -71.625dB ... (0.375dB steps) EFh = +17.625dB (See Table 11 for volume range) |

Table 10 ADC Digital Volume Control

| ADCL_VOL or ADCR_VOL | Volume (dB) | ADCL_VOL or ADCR_VOL | Volume (dB) | ADCL_VOL or ADCR_VOL | Volume (dB) | ADCL_VOL or ADCR_VOL | Volume (dB) |
|-------------------------|-------------|-------------------------|-------------|-------------------------|-------------|-------------------------|-------------|
| 0h | MUTE | 40h | -48.000 | 80h | -24.000 | C0h | 0.000 |
| 1h | -71.625 | 41h | -47.625 | 81h | -23.625 | C1h | 0.375 |
| 2h | -71.250 | 42h | -47.250 | 82h | -23.250 | C2h | 0.750 |
| 3h | -70.875 | 43h | -46.875 | 83h | -22.875 | C3h | 1.125 |
| 4h | -70.500 | 44h | -46.500 | 84h | -22.500 | C4h | 1.500 |
| 5h | -70.125 | 45h | -46.125 | 85h | -22.125 | C5h | 1.875 |
| 6h | -69.750 | 46h | -45.750 | 86h | -21.750 | C6h | 2.250 |
| 7h | -69.375 | 47h | -45.375 | 87h | -21.375 | C7h | 2.625 |
| 8h | -69.000 | 48h | -45.000 | 88h | -21.000 | C8h | 3.000 |
| 9h | -68.625 | 49h | -44.625 | 89h | -20.625 | C9h | 3.375 |
| Ah | -68.250 | 4Ah | -44.250 | 8Ah | -20.250 | CAh | 3.750 |
| Bh | -67.875 | 4Bh | -43.875 | 8Bh | -19.875 | CBh | 4.125 |
| Ch | -67.500 | 4Ch | -43.500 | 8Ch | -19.500 | CCh | 4.500 |
| Dh | -67.125 | 4Dh | -43.125 | 8Dh | -19.125 | CDh | 4.875 |
| Eh | -66.750 | 4Eh | -42.750 | 8Eh | -18.750 | CEh | 5.250 |
| Fh | -66.375 | 4Fh | -42.375 | 8Fh | -18.375 | CFh | 5.625 |
| 10h | -66.000 | 50h | -42.000 | 90h | -18.000 | D0h | 6.000 |
| 11h | -65.625 | 51h | -41.625 | 91h | -17.625 | D1h | 6.375 |
| 12h | -65.250 | 52h | -41.250 | 92h | -17.250 | D2h | 6.750 |
| 13h | -64.875 | 53h | -40.875 | 93h | -16.875 | D3h | 7.125 |
| 14h | -64.500 | 54h | -40.500 | 94h | -16.500 | D4h | 7.500 |
| 15h | -64.125 | 55h | -40.125 | 95h | -16.125 | D5h | 7.875 |
| 16h | -63.750 | 56h | -39.750 | 96h | -15.750 | D6h | 8.250 |
| 17h | -63.375 | 57h | -39.375 | 97h | -15.375 | D7h | 8.625 |
| 18h | -63.000 | 58h | -39.000 | 98h | -15.000 | D8h | 9.000 |
| 19h | -62.625 | 59h | -38.625 | 99h | -14.625 | D9h | 9.375 |
| 1Ah | -62.250 | 5Ah | -38.250 | 9Ah | -14.250 | DAh | 9.750 |
| 1Bh | -61.875 | 5Bh | -37.875 | 9Bh | -13.875 | DBh | 10.125 |
| 1Ch | -61.500 | 5Ch | -37.500 | 9Ch | -13.500 | DCh | 10.500 |
| 1Dh | -61.125 | 5Dh | -37.125 | 9Dh | -13.125 | DDh | 10.875 |
| 1Eh | -60.750 | 5Eh | -36.750 | 9Eh | -12.750 | DEh | 11.250 |
| 1Fh | -60.375 | 5Fh | -36.375 | 9Fh | -12.375 | DFh | 11.625 |
| 20h | -60.000 | 60h | -36.000 | A0h | -12.000 | E0h | 12.000 |
| 21h | -59.625 | 61h | -35.625 | A1h | -11.625 | E1h | 12.375 |
| 22h | -59.250 | 62h | -35.250 | A2h | -11.250 | E2h | 12.750 |
| 23h | -58.875 | 63h | -34.875 | A3h | -10.875 | E3h | 13.125 |
| 24h | -58.500 | 64h | -34.500 | A4h | -10.500 | E4h | 13.500 |
| 25h | -58.125 | 65h | -34.125 | A5h | -10.125 | E5h | 13.875 |
| 26h | -57.750 | 66h | -33.750 | A6h | -9.750 | E6h | 14.250 |
| 27h | -57.375 | 67h | -33.375 | A7h | -9.375 | E7h | 14.625 |
| 28h | -57.000 | 68h | -33.000 | A8h | -9.000 | E8h | 15.000 |
| 29h | -56.625 | 69h | -32.625 | A9h | -8.625 | E9h | 15.375 |
| 2Ah | -56.250 | 6Ah | -32.250 | AAh | -8.250 | EAh | 15.750 |
| 2Bh | -55.875 | 6Bh | -31.875 | ABh | -7.875 | EBh | 16.125 |
| 2Ch | -55.500 | 6Ch | -31.500 | ACh | -7.500 | ECh | 16.500 |
| 2Dh | -55.125 | 6Dh | -31.125 | ADh | -7.125 | EDh | 16.875 |
| 2Eh | -54.750 | 6Eh | -30.750 | A Eh | -6.750 | EEh | 17.250 |
| 2Fh | -54.375 | 6Fh | -30.375 | AFh | -6.375 | EFh | 17.625 |
| 30h | -54.000 | 70h | -30.000 | B0h | -6.000 | F0h | 17.625 |
| 31h | -53.625 | 71h | -29.625 | B1h | -5.625 | F1h | 17.625 |
| 32h | -53.250 | 72h | -29.250 | B2h | -5.250 | F2h | 17.625 |
| 33h | -52.875 | 73h | -28.875 | B3h | -4.875 | F3h | 17.625 |
| 34h | -52.500 | 74h | -28.500 | B4h | -4.500 | F4h | 17.625 |
| 35h | -52.125 | 75h | -28.125 | B5h | -4.125 | F5h | 17.625 |
| 36h | -51.750 | 76h | -27.750 | B6h | -3.750 | F6h | 17.625 |
| 37h | -51.375 | 77h | -27.375 | B7h | -3.375 | F7h | 17.625 |
| 38h | -51.000 | 78h | -27.000 | B8h | -3.000 | F8h | 17.625 |
| 39h | -50.625 | 79h | -26.625 | B9h | -2.625 | F9h | 17.625 |
| 3Ah | -50.250 | 7Ah | -26.250 | BAh | -2.250 | FAh | 17.625 |
| 3Bh | -49.875 | 7Bh | -25.875 | BBh | -1.875 | FBh | 17.625 |
| 3Ch | -49.500 | 7Ch | -25.500 | BCh | -1.500 | FCh | 17.625 |
| 3Dh | -49.125 | 7Dh | -25.125 | BDh | -1.125 | FDh | 17.625 |
| 3Eh | -48.750 | 7Eh | -24.750 | BEh | -0.750 | FEh | 17.625 |
| 3Fh | -48.375 | 7Fh | -24.375 | BFh | -0.375 | FFh | 17.625 |

Table 11 ADC Digital Volume Range

HIGH PASS FILTER

A digital high pass filter is applied by default to the ADC path to remove DC offsets. This filter can also be programmed to remove low frequency noise in voice applications (e.g. wind noise or mechanical vibration). This filter is controlled using the ADC_HPF and ADC_HPF_CUT register bits.

In hi-fi mode the high pass filter is optimised for removing DC offsets without degrading the bass response and has a cut-off frequency of 3.7Hz at fs=44.1kHz.

In voice mode the high pass filter is optimised for voice communication and it is recommended to program the cut-off frequency below 300Hz (e.g. ADC_HPF_CUT=11 at fs=8kHz or ADC_HPF_CUT=10 at fs=16kHz).

| REGISTER ADDRESS | BIT | LABEL | DEFAULT | DESCRIPTION |
|-----------------------|-----|-------------------|---------|---|
| R14 (0Eh) ADC CTRL | 8 | ADC_HPF | 1 | ADC Digital High Pass Filter Enable 0 = disabled 1 = enabled |
| | 6:5 | ADC_HPF_CUT [1:0] | 00 | ADC Digital High Pass Filter Cut-Off Frequency (fc) 00 = Hi-fi mode (fc=4Hz at fs=48kHz) 01 = Voice mode 1 (fc=127Hz at fs=16kHz) 10 = Voice mode 2 (fc=130Hz at fs=8kHz) 11 = Voice mode 3 (fc=267Hz at fs=8kHz) (Note: fc scales with sample rate. See Table 13 for cut-off frequencies at all supported sample rates) |

Table 12 ADC High Pass Filter Control Registers

| Sample Frequency (kHz) | CUT-OFF FREQUENCY (Hz) | | | |
|------------------------|------------------------|-----------------|-----------------|-----------------|
| | ADC_HPF_CUT =00 | ADC_HPF_CUT =01 | ADC_HPF_CUT =10 | ADC_HPF_CUT =11 |
| 8.000 | 0.7 | 64 | 130 | 267 |
| 11.025 | 0.9 | 88 | 178 | 367 |
| 16.000 | 1.3 | 127 | 258 | 532 |
| 22.050 | 1.9 | 175 | 354 | 733 |
| 24.000 | 2.0 | 190 | 386 | 798 |
| 32.000 | 2.7 | 253 | 514 | 1063 |
| 44.100 | 3.7 | 348 | 707 | 1464 |
| 48.000 | 4.0 | 379 | 770 | 1594 |

Table 13 ADC High Pass Filter Cut-Off Frequencies

The high pass filter characteristics are shown in the "Digital Filter Characteristics" section.

DIGITAL MIXING

The ADC and DAC data can be combined in various ways to support a range of different usage modes.

Data from either of the two ADCs can be routed to either the left or the right channel of the digital audio interface. In addition, data from either of the digital audio interface channels can be routed to either the left or the right DAC. See "Digital Audio Interface" for more information on the audio interface.

The WM8993 provides a Dynamic Range Control (DRC) feature, which can apply compression and gain adjustment in the digital domain to either the ADC or DAC signal path. This is effective in controlling signal levels under conditions where input amplitude is unknown or varies over a wide range.

The DACs can be configured as a mono mix of the two audio channels. Digital sidetone from the ADCs can also be selectively mixed into the DAC output path.

DIGITAL MIXING PATHS

Figure 14 shows the digital mixing paths available in the WM8993 digital core.

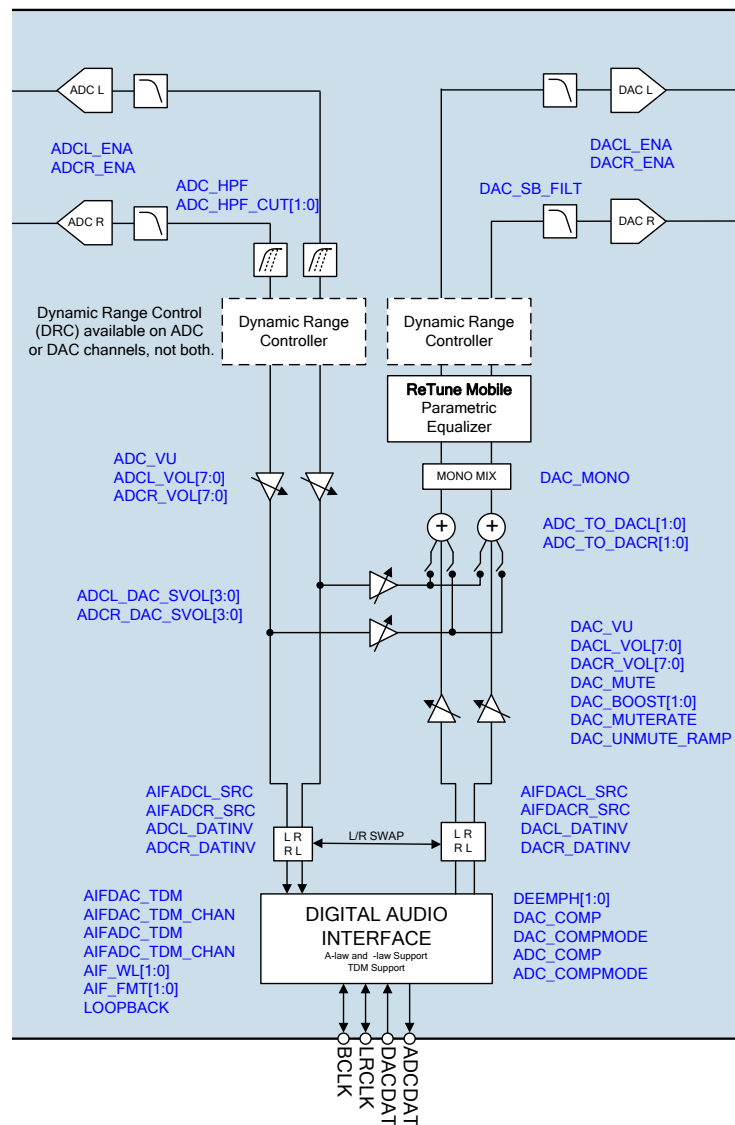


Figure 14 Digital Mixing Paths

The polarity of each ADC output signal can be changed under software control using the ADCL_DATINV and ADCR_DATINV register bits. The AIFADCL_SRC and AIFADCR_SRC register bits may be used to select which ADC is used for the left and right digital audio interface data. These register bits are described in Table 14.

| REGISTER ADDRESS | BIT | LABEL | DEFAULT | DESCRIPTION |
|---------------------------------|-----|-------------|---------|---|
| R4 (04h) Audio Interface (1) | 15 | AIFADCL_SRC | 0 | Left Digital Audio interface source 0 = Left ADC data is output on left channel 1 = Right ADC data is output on left channel |
| | 14 | AIFADCR_SRC | 1 | Right Digital Audio interface source 0 = Left ADC data is output on right channel 1 = Right ADC data is output on right channel |
| R14 (0Eh) ADC CTRL | 1 | ADCL_DATINV | 0 | Left ADC Invert 0 = Left ADC output not inverted 1 = Left ADC output inverted |
| | 0 | ADCR_DATINV | 0 | Right ADC Invert 0 = Right ADC output not inverted 1 = Right ADC output inverted |

Table 14 ADC Routing and Control

The input data source for each DAC can be changed under software control using register bits AIFDACL_SRC and AIFDACR_SRC. The polarity of each DAC input may also be modified using register bits DACL_DATINV and DACR_DATINV. These register bits are described in Table 15.

| REGISTER ADDRESS | BIT | LABEL | DEFAULT | DESCRIPTION |
|---------------------------------|-----|-------------|---------|---|
| R5 (05h) Audio Interface (2) | 15 | AIFDACL_SRC | 0 | Left DAC Data Source Select 0 = Left DAC outputs left interface data 1 = Left DAC outputs right interface data |
| | 14 | AIFDACR_SRC | 1 | Right DAC Data Source Select 0 = Right DAC outputs left interface data 1 = Right DAC outputs right interface data |
| R10 (0Ah) DAC CTRL | 1 | DACL_DATINV | 0 | Left DAC Invert 0 = Left DAC output not inverted 1 = Left DAC output inverted |
| | 0 | DACR_DATINV | 0 | Right DAC Invert 0 = Right DAC output not inverted 1 = Right DAC output inverted |

Table 15 DAC Routing and Control

DAC INTERFACE VOLUME BOOST

A digital gain function is available at the audio interface to boost the DAC volume when a small signal is received on DACDAT. This is controlled using register bits DAC_BOOST[1:0]. To prevent clipping at the DAC input, this function should not be used when the boosted DAC data is expected to be greater than 0dBFS.

| REGISTER ADDRESS | BIT | LABEL | DEFAULT | DESCRIPTION |
|---------------------------------|-------|-----------------|---------|---|
| R5 (05h) Audio Interface (2) | 11:10 | DAC_BOOST [1:0] | 00 | DAC Input Volume Boost 00 = 0dB 01 = +6dB (Input data must not exceed -6dBFS) 10 = +12dB (Input data must not exceed -12dBFS) 11 = +18dB (Input data must not exceed -18dBFS) |

Table 16 DAC Interface Volume Boost
DIGITAL SIDETONE

A digital sidetone is available when ADCs and DACs are operating at the same sample rate. Digital data from either left or right ADC can be mixed with the audio interface data on the left and right DAC channels. Sidetone data is taken from the ADC high pass filter output, to reduce low frequency noise in the sidetone (e.g. wind noise or mechanical vibration).

When using the digital sidetone, it is recommended that the ADCs are enabled before un-muting the DACs to prevent pop noise. The DAC volumes and sidetone volumes should be set to an appropriate level to avoid clipping at the DAC input.

The digital sidetone is controlled as shown in Table 17.

| REGISTER ADDRESS | BIT | LABEL | DEFAULT | DESCRIPTION |
|--------------------------------|------|---------------------|---------|--|
| R13 (0Dh) Digital Side Tone | 12:9 | ADCL_DAC_SVOL [3:0] | 0000 | Left Digital Sidetone Volume 0000 = -36dB 0001 = -33dB ... (3dB steps) 1011 = -3dB 1100 = 0dB (See Table 18 for volume range) |
| | 8:5 | ADCR_DAC_SVOL [3:0] | 0000 | Right Digital Sidetone Volume 0000 = -36dB 0001 = -33dB ... (3dB steps) 1011 = -3dB 1100 = 0dB (See Table 18 for volume range) |
| | 3:2 | ADCL_TO_DACL [1:0] | 00 | Left DAC Digital Sidetone Source 00 = No sidetone 01 = Left ADC 10 = Right ADC 11 = Reserved |
| | 1:0 | ADC_TO_DACR [1:0] | 00 | Right DAC Digital Sidetone Source 00 = No sidetone 01 = Left ADC 10 = Right ADC 11 = Reserved |

Table 17 Digital Sidetone Control

| ADCL_DAC_SVOL or ADCR_DAC_SVOL | SIDETONE VOLUME (dB) |
|-----------------------------------|----------------------------|
| 0000 | -36 |
| 0001 | -33 |
| 0010 | -30 |
| 0011 | -27 |
| 0100 | -24 |
| 0101 | -21 |
| 0110 | -18 |
| 0111 | -15 |
| 1000 | -12 |
| 1001 | -9 |
| 1010 | -6 |
| 1011 | -3 |
| 1100 | 0 |
| 1101 | 0 |
| 1110 | 0 |
| 1111 | 0 |

Table 18 Digital Sidetone Volume

DYNAMIC RANGE CONTROL (DRC)

The dynamic range controller (DRC) is a circuit which can be enabled in the digital data path of either the ADCs or the DACs. The function of the DRC is to adjust the signal gain in conditions where the input amplitude is unknown or varies over a wide range, e.g. when recording from microphones built into a handheld system. The DRC can apply Compression and Automatic Level Control to the signal path. It incorporates 'anti-clip' and 'quick release' features for handling transients in order to improve intelligibility in the presence of loud impulsive noises.

The DRC is enabled as shown in Table 19. It can be enabled in the ADC digital path or in the DAC digital path, under the control of the DRC_DAC_PATH register bit. Note that the DRC can only be active in one of these paths at any time.

| REGISTER ADDRESS | BIT | LABEL | DEFAULT | DESCRIPTION |
|-----------------------------|-----|--------------|---------|---|
| R123 (7Bh) DRC Control 1 | 15 | DRC_ENA | 0 | DRC enable 0 = disabled 1 = enabled |
| | 14 | DRC_DAC_PATH | 0 | DRC path select 0 = ADC path 1 = DAC path |

Table 19 DRC Enable

COMPRESSION/LIMITING CAPABILITIES

The DRC supports two different compression regions, specified by R0 and R1, separated by a "knee" at input amplitude T. For signals above the knee, the compression slope R0 applies; for signals below the knee, the compression slope R1 applies.

The overall DRC compression characteristic in "steady state" (i.e. where the input amplitude is near-constant) is illustrated in Figure 15.

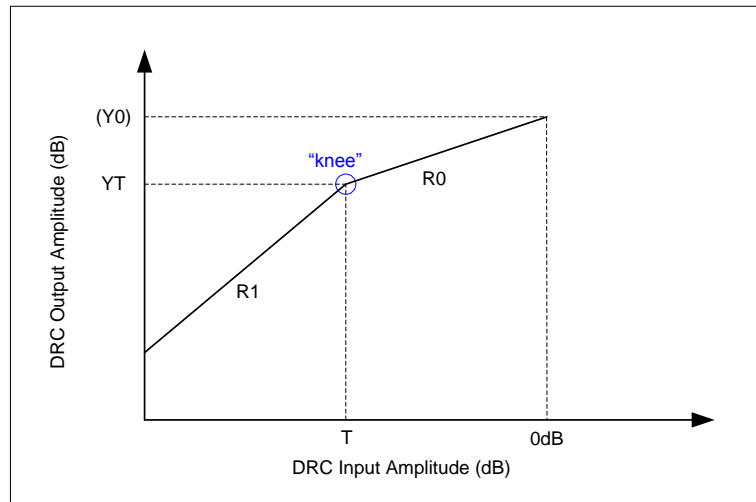


Figure 15 DRC Compression Characteristic

The slope of R0 and R1 are determined by register fields DRC_R0_SLOPE_COMP and DRC_R1_SLOPE_COMP respectively. A slope of 1 indicates constant gain in this region. A slope less than 1 represents compression (i.e. a change in input amplitude produces only a smaller change in output amplitude). A slope of 0 indicates that the target output amplitude is the same across a range of input amplitudes; this is infinite compression.

The "knee" in Figure 15 is represented by T and Y, which are determined by register fields DRC_THRESH_COMP and DRC_AMP_COMP respectively.

Parameter Y0, the output level for a 0dB input, is not specified directly, but can be calculated from the other parameters, using the equation

$$Y0 = YT - (T * R0)$$

The DRC Compression parameters are defined in Table 20.

| REGISTER ADDRESS | BIT | LABEL | DEFAULT | DESCRIPTION |
|-----------------------------|-----|-----------------------|---------|---|
| R124 (7Ch) DRC Control 2 | 7:2 | DRC_THRESH_COMP [5:0] | 000000 | Compressor threshold T (dB) 000000 = 0dB 000001 = -0.75dB 000010 = -1.5dB ... (-0.75dB steps) 111100 = -45dB 111101 = Reserved 11111X = Reserved |

| REGISTER ADDRESS | BIT | LABEL | DEFAULT | DESCRIPTION |
|-----------------------------|-------|-------------------------|---------|---|
| R125 (7Dh) DRC Control 3 | 15:11 | DRC_AMP_COMP [4:0] | 00000 | Compressor amplitude at threshold YT (dB) 00000 = 0dB 00001 = -0.75dB 00010 = -1.5dB ... (-0.75dB steps) 11110 = -22.5dB 11111 = Reserved |
| | 10:8 | DRC_R0_SLOPE_COMP [2:0] | 100 | Compressor slope R0 000 = 1 (no compression) 001 = 1/2 010 = 1/4 011 = 1/8 100 = 1/16 101 = 0 110 = Reserved 111 = Reserved |
| R126 (7Eh) DRC Control 4 | 15:13 | DRC_R1_SLOPE_COMP [2:0] | 000 | Compressor slope R1 000 = 1 (no compression) 001 = 1/2 010 = 1/4 011 = 1/8 100 = 0 101 = Reserved 11X = Reserved |

Table 20 DRC Compression Control

GAIN LIMITS

The minimum and maximum gain applied by the DRC is set by register fields DRC_MINGAIN and DRC_MAXGAIN. These limits can be used to alter the DRC response from that illustrated in Figure 15. If the range between maximum and minimum gain is reduced, then the extent of the dynamic range control is reduced. The maximum gain prevents quiet signals (or silence) from being excessively amplified.

| REGISTER ADDRESS | BIT | LABEL | DEFAULT | DESCRIPTION |
|-----------------------------|-----|-------------------|---------|--|
| R123 (7Bh) DRC Control 1 | 3:2 | DRC_MINGAIN [1:0] | 00 | Minimum gain the DRC can use to attenuate audio signals 00 = 0dB (default) 01 = -6dB 10 = -12dB 11 = -18dB |
| | 1:0 | DRC_MAXGAIN [1:0] | 01 | Maximum gain the DRC can use to boost audio signals 00 = 12dB 01 = 18dB (default) 10 = 24dB 11 = 36dB |

Table 21 DRC Gain Limits

DYNAMIC CHARACTERISTICS

The dynamic behaviour determines how quickly the DRC responds to changing signal levels. Note that the DRC responds to the average (RMS) signal amplitude over a period of time.

The DRC_ATTACK_RATE determines how quickly the DRC gain decreases when the signal amplitude is high. The DRC_DECAY_RATE determines how quickly the DRC gain increases when the signal amplitude is low.

These register fields are described in Table 22. For general purpose microphone use, the settings DRC_ATTACK_RATE = 0100 and DRC_DECAY_RATE = 0010 are suitable for many applications. Note that the default setting of DRC_ATTACK_RATE is Reserved and should not be used.

| REGISTER ADDRESS | BIT | LABEL | DEFAULT | DESCRIPTION |
|-----------------------------|-------|-----------------------|---------|--|
| R124 (7Ch) DRC Control 2 | 15:12 | DRC_ATTACK_RATE [3:0] | 0000 | Gain attack rate (seconds/6dB) 0000 = Reserved 0001 = 181us 0010 = 363us 0011 = 726us 0100 = 1.45ms 0101 = 2.9ms 0110 = 5.8ms 0111 = 11.6ms 1000 = 23.2ms 1001 = 46.4ms 1010 = 92.8ms 1011 = 185.6ms 1100-1111 = Reserved |
| | 11:8 | DRC_DECAY_RATE [3:0] | 0000 | Gain decay rate (seconds/6dB) 0000 = 186ms 0001 = 372ms 0010 = 743ms 0011 = 1.49s 0100 = 2.97s 0101 = 5.94s 0110 = 11.89s 0111 = 23.78s 1000 = 47.56s 1001-1111 = Reserved |

Table 22 DRC Time Constants

ANTI-CLIP CONTROL

The DRC includes an Anti-Clip feature to avoid signal clipping when the input amplitude rises very quickly. This feature uses a feed-forward technique for early detection of a rising signal level. Signal clipping is avoided by dynamically increasing the gain attack rate when required. The Anti-Clip feature is enabled using the DRC_ANTICLIP_ENA bit.

Note that the feed-forward processing increases the latency in the input signal path. For low-latency applications (e.g. telephony), it may be desirable to reduce the delay, although this will also reduce the effectiveness of the anti-clip feature. The latency is determined by the DRC_FF_DELAY bit. If necessary, the latency can be minimised by disabling the anti-clip feature altogether.

The DRC Anti-Clip control bits are described in Table 23.

| REGISTER ADDRESS | BIT | LABEL | DEFAULT | DESCRIPTION |
|-----------------------------|-----|------------------|---------|--|
| R125 (7Dh) DRC Control 3 | 7 | DRC_FF_DELAY | 1 | Feed-forward delay for anti-clip feature 0 = 5 samples 1 = 9 samples Time delay can be calculated as $5/f_s$ or $9/f_s$, where f_s is the sample rate. |
| R123 (7Bh) DRC Control 1 | 9 | DRC_ANTICLIP_ENA | 1 | Anti-clip enable 0 = disabled 1 = enabled |

Table 23 DRC Anti-Clip Control

Note that the Anti-Clip feature operates entirely in the digital domain. It cannot be used to prevent signal clipping in the analogue domain nor in the source signal. Analogue clipping can only be prevented by reducing the analogue signal gain or by adjusting the source signal.

QUICK RELEASE CONTROL

The DRC includes a Quick-Release feature to handle short transient peaks that are not related to the intended source signal. For example, in handheld microphone recording, transient signal peaks sometimes occur due to user handling, key presses or accidental tapping against the microphone. The Quick Release feature ensures that these transients do not cause the intended signal to be masked by the longer time constants of DRC_DECAY_RATE.

The Quick-Release feature is enabled by setting the DRC_QR_ENA bit. When this bit is enabled, the DRC measures the crest factor (peak to RMS ratio) of the input signal. A high crest factor is indicative of a transient peak that may not be related to the intended source signal. If the crest factor exceeds the level set by DRC_THRESH_QR, then the normal decay rate (DRC_DECAY_RATE) is ignored and a faster decay rate (DRC_RATE_QR) is used instead.

The DRC Quick-Release control bits are described in Table 24.

| REGISTER ADDRESS | BIT | LABEL | DEFAULT | DESCRIPTION |
|-----------------------------|-----|---------------------|---------|--|
| R123 (7Bh) DRC Control 1 | 10 | DRC_QR_ENA | 1 | Quick release enable 0 = disabled 1 = enabled |
| R125 (7Dh) DRC Control 3 | 3:2 | DRC_THRESH_QR [1:0] | 01 | Quick release crest factor threshold 00 = 12dB 01 = 18dB (default) 10 = 24dB 11 = 30dB |
| | 1:0 | DRC_RATE_QR [1:0] | 00 | Quick release decay rate (seconds/6dB) 00 = 0.725ms (default) 01 = 1.45ms 10 = 5.8ms 11 = Reserved |

Table 24 DRC Quick-Release Control

GAIN SMOOTHING

The DRC includes a gain smoothing filter in order to prevent gain ripples. A programmable level of hysteresis is also used to control the DRC gain. This improves the handling of very low frequency input signals whose period is close to the DRC attack/decay time. DRC Gain Smoothing is enabled by default and it is recommended to use the default register settings.

The extent of the gain smoothing filter may be adjusted or disabled using the control fields described in Table 25.

| REGISTER ADDRESS | BIT | LABEL | DEFAULT | DESCRIPTION |
|-----------------------------|-----|-----------------------|---------|--|
| R123 (7Bh) DRC Control 1 | 11 | DRC_SMOOTH_ENA | 1 | Gain smoothing enable 0 = disabled 1 = enabled |
| | 8 | DRC_HYST_ENA | 1 | Gain smoothing hysteresis enable 0 = disabled 1 = enabled |
| | 5:4 | DRC_THRESH_HYST [1:0] | 01 | Gain smoothing hysteresis threshold 00 = Low 01 = Medium (recommended) 10 = High 11 = Reserved |

Table 25 DRC Gain Smoothing

INITIALISATION

When the DRC is initialised, the gain is set to the level determined by the DRC_STARTUP_GAIN register field. The default setting is 0dB, but values from -3dB to +6dB are available, as described in Table 26.

| REGISTER ADDRESS | BIT | LABEL | DEFAULT | DESCRIPTION |
|-----------------------------|------|------------------------|---------|---|
| R126 (7Eh) DRC Control 4 | 12:8 | DRC_STARTUP_GAIN [4:0] | 00110 | Initial gain at DRC startup 00000 = -18dB 00001 = -15dB 00010 = -12dB 00011 = -9dB 00100 = -6dB 00101 = -3dB 00110 = 0dB (default) 00111 = 3dB 01000 = 6dB 01001 = 9dB 01010 = 12dB 01011 = 15dB 01100 = 18dB 01101 = 21dB 01110 = 24dB 01111 = 27dB 10000 = 30dB 10001 = 33dB 10010 = 36dB 10011 to 11111 = Reserved |

Table 26 DRC Initialisation

RETUNE MOBILE PARAMETRIC EQUALIZER (EQ)

The ReTune Mobile Parametric EQ is a circuit which can be enabled in the DAC path. The function of the EQ is to adjust the frequency characteristic of the output in order to compensate for unwanted frequency characteristics in the loudspeaker (or other output transducer). It can also be used to tailor the response according to user preferences, for example to accentuate or attenuate specific frequency bands to emulate different sound profiles or environments e.g. concert hall, rock etc.

The EQ is enabled as shown in Table 27.

| REGISTER ADDRESS | BIT | LABEL | DEFAULT | DESCRIPTION |
|------------------|-----|--------|---------|--|
| R98 (62h) EQ1 | 0 | EQ_ENA | 0b | EQ Enable 0 = EQ disabled 1 = EQ enabled |

Table 27 ReTune Mobile Parametric EQ Enable

The EQ can be configured to operate in two modes - "Default" mode or "ReTune Mobile" mode.

DEFAULT MODE (5-BAND PARAMETRIC EQ)

In default mode, the cut-off / centre frequencies are fixed as per Table 28. The filter bandwidths are also fixed in default mode. The gain of the individual bands (-12dB to +12dB) can be controlled as described in Table 29.

Note that the cut-off / centre frequencies noted in Table 28 are applicable to a DAC Sample Rate of 48kHz. When using other sample rates, these frequencies will be scaled in proportion to the selected sample rate.

| EQ BAND | CUT-OFF/CENTRE FREQUENCY |
|---------|--------------------------|
| 1 | 100 Hz |
| 2 | 300 Hz |
| 3 | 875 Hz |
| 4 | 2400 Hz |
| 5 | 6900 Hz |

Table 28 EQ Band Cut-off / Centre Frequencies

| REGISTER ADDRESS | BIT | LABEL | DEFAULT | DESCRIPTION |
|-------------------|-----|---------------------|-----------------|--|
| R99 (63h) EQ2 | 4:0 | EQ_B1_GAIN [4:0] | 01100b (0dB) | EQ Band 1 Gain -12dB to +12dB in 1dB steps (see Table 30 for gain range) |
| R100 (64h) EQ3 | 4:0 | EQ_B2_GAIN [4:0] | 01100b (0dB) | EQ Band 2 Gain -12dB to +12dB in 1dB steps (see Table 30 for gain range) |
| R101 (65h) EQ4 | 4:0 | EQ_B3_GAIN [4:0] | 01100b (0dB) | EQ Band 3 Gain -12dB to +12dB in 1dB steps (see Table 30 for gain range) |
| R102 (66h) EQ5 | 4:0 | EQ_B4_GAIN [4:0] | 01100b (0dB) | EQ Band 4 Gain -12dB to +12dB in 1dB steps (see Table 30 for gain range) |
| R103 (67h) EQ6 | 4:0 | EQ_B5_GAIN [4:0] | 01100b (0dB) | EQ Band 5 Gain -12dB to +12dB in 1dB steps (see Table 30 for gain range) |

Table 29 EQ Band Gain Control

| EQ GAIN SETTING | GAIN (DB) |
|-----------------|-----------|
| 00000 | -12 |
| 00001 | -11 |
| 00010 | -10 |
| 00011 | -9 |
| 00100 | -8 |
| 00101 | -7 |
| 00110 | -6 |
| 00111 | -5 |
| 01000 | -4 |
| 01001 | -3 |
| 01010 | -2 |
| 01011 | -1 |
| 01100 | 0 |
| 01101 | +1 |
| 01110 | +2 |
| 01111 | +3 |
| 10000 | +4 |
| 10001 | +5 |
| 10010 | +6 |
| 10011 | +7 |
| 10100 | +8 |
| 10101 | +9 |
| 10110 | +10 |
| 10111 | +11 |
| 11000 | +12 |
| 11001 to 11111 | Reserved |

Table 30 EQ Gain Control

RETUNE MOBILE MODE

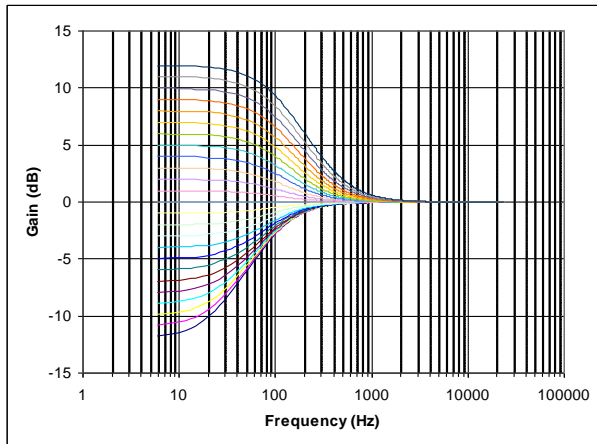
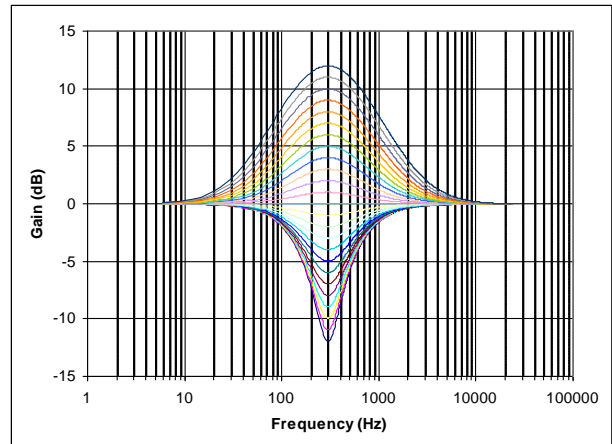
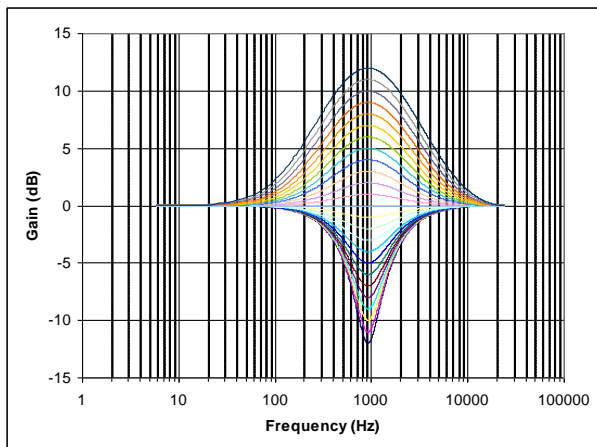
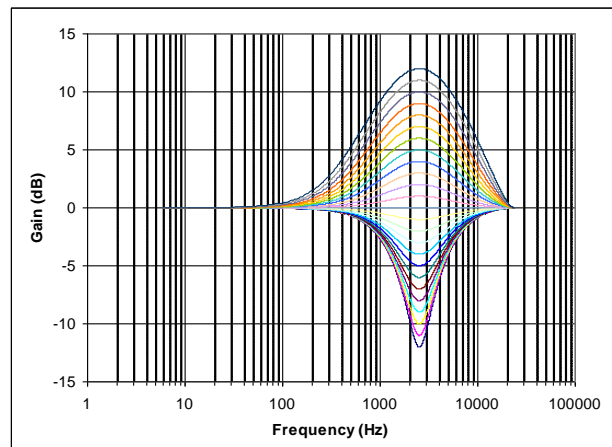
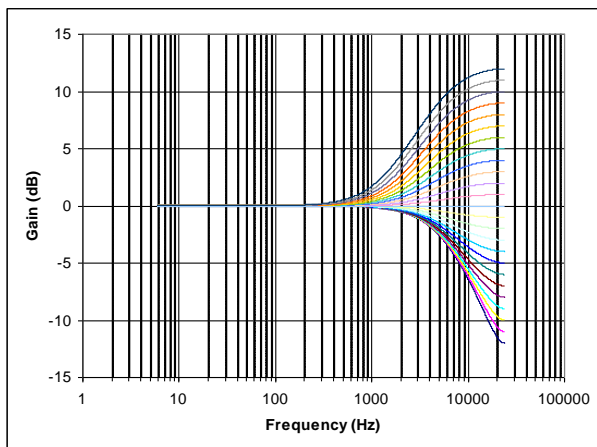
ReTune Mobile mode provides a comprehensive facility for the user to define the cut-off/centre frequencies and filter bandwidth for each EQ band, in addition to the gain controls already described. This enables the EQ to be accurately customised for a specific transducer characteristic or desired sound profile.

The EQ enable and EQ gain controls are the same as defined for the default mode. The additional coefficients used in ReTune Mobile mode are held in registers R104 to R121. These coefficients are derived using tools provided in WISCE™ evaluation board control software.

Please contact your local Cirrus Logic representative for more details.

EQ FILTER CHARACTERISTICS

The filter characteristics for each frequency band are shown in Figure 16 to Figure 20. These figures show the frequency response for all available gain settings, using default cut-off/centre frequencies and bandwidth.


Figure 16 EQ Band 1 – Low Freq Shelf Filter Response

Figure 17 EQ Band 2 – Peak Filter Response

Figure 18 EQ Band 3 – Peak Filter Response

Figure 19 EQ Band 4 – Peak Filter Response

Figure 20 EQ Band 5 – High Freq Shelf Filter Response

DIGITAL TO ANALOGUE CONVERTER (DAC)

The WM8993 DACs receive digital input data from the DACDAT pin and via the digital sidetone path. The digital audio data is converted to oversampled bit streams in the on-chip, true 24-bit digital interpolation filters. The bitstream data enters two multi-bit, sigma-delta DACs, which convert them to high quality analogue audio signals. The multi-bit DAC architecture reduces high frequency noise and sensitivity to clock jitter. It also uses a Dynamic Element Matching technique for high linearity and low distortion.

The analogue outputs from the DACs can be mixed with analogue line/mic inputs using the line output mixers MIXOUTL / MIXOUTR and the speaker output mixers SPKMIXL / SPKMIXR.

The DACs are enabled by the DACL_ENA and DACR_ENA register bits.

Note that the CLK_DSP clock must be enabled and present whenever the DACs are enabled. See "Clocking and Sample Rates" for details of this clock.

| REGISTER ADDRESS | BIT | LABEL | DEFAULT | DESCRIPTION |
|----------------------------------|-----|----------|---------|---|
| R3 (03h) Power Management (3) | 1 | DACL_ENA | 0 | Left DAC Enable 0 = DAC disabled 1 = DAC enabled |
| | 0 | DACR_ENA | 0 | Right DAC Enable 0 = DAC disabled 1 = DAC enabled |

Table 31 DAC Enable Control
DAC DIGITAL VOLUME CONTROL

The output level of each DAC can be controlled digitally over a range from -71.625dB to 0dB in 0.375dB steps. The level of attenuation for an eight-bit code X is given by:

$$0.375 \times (X-192) \text{ dB for } 1 \leq X \leq 192; \quad \text{MUTE for } X = 0 \quad 0\text{dB for } 192 \leq X \leq 255$$

The DAC_VU bit controls the loading of digital volume control data. When DAC_VU is set to 0, the DACL_VOL or DACR_VOL control data will be loaded into the respective control register, but will not actually change the digital gain setting. Both left and right gain settings are updated when a 1 is written to DAC_VU. This makes it possible to update the gain of both channels simultaneously.

| REGISTER ADDRESS | BIT | LABEL | DEFAULT | DESCRIPTION |
|---------------------------------------|-----|----------------|-----------------|--|
| R11 (0Bh) Left DAC Digital Volume | 8 | DAC_VU | N/A | DAC Volume Update Writing 1 causes the left and right DAC volume to be updated simultaneously |
| | 7:0 | DACL_VOL [7:0] | 1100_0000 (0dB) | Left DAC Digital Volume 00h = MUTE 01h = -71.625dB ... (0.375dB steps) C0h = 0dB (See Table 33 for volume range) |
| R12 (0Ch) Right DAC Digital Volume | 8 | DAC_VU | N/A | DAC Volume Update Writing 1 causes the left and right DAC volume to be updated simultaneously |
| | 7:0 | DACR_VOL [7:0] | 1100_0000 (0dB) | Right DAC Digital Volume 00h = MUTE 01h = -71.625dB ... (0.375dB steps) C0h = 0dB (See Table 33 for volume range) |

Table 32 DAC Digital Volume Control

| DACL_VOL or DACR_VOL | | DACL_VOL or DACR_VOL | | DACL_VOL or DACR_VOL | | DACL_VOL or DACR_VOL | |
|-------------------------|-------------|-------------------------|-------------|-------------------------|-------------|-------------------------|-------------|
| | Volume (dB) | | Volume (dB) | | Volume (dB) | | Volume (dB) |
| 0h | MUTE | 40h | -48.000 | 80h | -24.000 | C0h | 0.000 |
| 1h | -71.625 | 41h | -47.625 | 81h | -23.625 | C1h | 0.000 |
| 2h | -71.250 | 42h | -47.250 | 82h | -23.250 | C2h | 0.000 |
| 3h | -70.875 | 43h | -46.875 | 83h | -22.875 | C3h | 0.000 |
| 4h | -70.500 | 44h | -46.500 | 84h | -22.500 | C4h | 0.000 |
| 5h | -70.125 | 45h | -46.125 | 85h | -22.125 | C5h | 0.000 |
| 6h | -69.750 | 46h | -45.750 | 86h | -21.750 | C6h | 0.000 |
| 7h | -69.375 | 47h | -45.375 | 87h | -21.375 | C7h | 0.000 |
| 8h | -69.000 | 48h | -45.000 | 88h | -21.000 | C8h | 0.000 |
| 9h | -68.625 | 49h | -44.625 | 89h | -20.625 | C9h | 0.000 |
| Ah | -68.250 | 4Ah | -44.250 | 8Ah | -20.250 | CAh | 0.000 |
| Bh | -67.875 | 4Bh | -43.875 | 8Bh | -19.875 | CBh | 0.000 |
| Ch | -67.500 | 4Ch | -43.500 | 8Ch | -19.500 | CCh | 0.000 |
| Dh | -67.125 | 4Dh | -43.125 | 8Dh | -19.125 | CDh | 0.000 |
| Eh | -66.750 | 4Eh | -42.750 | 8Eh | -18.750 | CEh | 0.000 |
| Fh | -66.375 | 4Fh | -42.375 | 8Fh | -18.375 | CFh | 0.000 |
| 10h | -66.000 | 50h | -42.000 | 90h | -18.000 | D0h | 0.000 |
| 11h | -65.625 | 51h | -41.625 | 91h | -17.625 | D1h | 0.000 |
| 12h | -65.250 | 52h | -41.250 | 92h | -17.250 | D2h | 0.000 |
| 13h | -64.875 | 53h | -40.875 | 93h | -16.875 | D3h | 0.000 |
| 14h | -64.500 | 54h | -40.500 | 94h | -16.500 | D4h | 0.000 |
| 15h | -64.125 | 55h | -40.125 | 95h | -16.125 | D5h | 0.000 |
| 16h | -63.750 | 56h | -39.750 | 96h | -15.750 | D6h | 0.000 |
| 17h | -63.375 | 57h | -39.375 | 97h | -15.375 | D7h | 0.000 |
| 18h | -63.000 | 58h | -39.000 | 98h | -15.000 | D8h | 0.000 |
| 19h | -62.625 | 59h | -38.625 | 99h | -14.625 | D9h | 0.000 |
| 1Ah | -62.250 | 5Ah | -38.250 | 9Ah | -14.250 | DAh | 0.000 |
| 1Bh | -61.875 | 5Bh | -37.875 | 9Bh | -13.875 | DBh | 0.000 |
| 1Ch | -61.500 | 5Ch | -37.500 | 9Ch | -13.500 | DCh | 0.000 |
| 1Dh | -61.125 | 5Dh | -37.125 | 9Dh | -13.125 | DDh | 0.000 |
| 1Eh | -60.750 | 5Eh | -36.750 | 9Eh | -12.750 | DEh | 0.000 |
| 1Fh | -60.375 | 5Fh | -36.375 | 9Fh | -12.375 | DFh | 0.000 |
| 20h | -60.000 | 60h | -36.000 | A0h | -12.000 | E0h | 0.000 |
| 21h | -59.625 | 61h | -35.625 | A1h | -11.625 | E1h | 0.000 |
| 22h | -59.250 | 62h | -35.250 | A2h | -11.250 | E2h | 0.000 |
| 23h | -58.875 | 63h | -34.875 | A3h | -10.875 | E3h | 0.000 |
| 24h | -58.500 | 64h | -34.500 | A4h | -10.500 | E4h | 0.000 |
| 25h | -58.125 | 65h | -34.125 | A5h | -10.125 | E5h | 0.000 |
| 26h | -57.750 | 66h | -33.750 | A6h | -9.750 | E6h | 0.000 |
| 27h | -57.375 | 67h | -33.375 | A7h | -9.375 | E7h | 0.000 |
| 28h | -57.000 | 68h | -33.000 | A8h | -9.000 | E8h | 0.000 |
| 29h | -56.625 | 69h | -32.625 | A9h | -8.625 | E9h | 0.000 |
| 2Ah | -56.250 | 6Ah | -32.250 | AAh | -8.250 | EAh | 0.000 |
| 2Bh | -55.875 | 6Bh | -31.875 | ABh | -7.875 | EBh | 0.000 |
| 2Ch | -55.500 | 6Ch | -31.500 | ACh | -7.500 | ECh | 0.000 |
| 2Dh | -55.125 | 6Dh | -31.125 | ADh | -7.125 | EDh | 0.000 |
| 2Eh | -54.750 | 6Eh | -30.750 | AEh | -6.750 | EEh | 0.000 |
| 2Fh | -54.375 | 6Fh | -30.375 | AFh | -6.375 | EFh | 0.000 |
| 30h | -54.000 | 70h | -30.000 | B0h | -6.000 | F0h | 0.000 |
| 31h | -53.625 | 71h | -29.625 | B1h | -5.625 | F1h | 0.000 |
| 32h | -53.250 | 72h | -29.250 | B2h | -5.250 | F2h | 0.000 |
| 33h | -52.875 | 73h | -28.875 | B3h | -4.875 | F3h | 0.000 |
| 34h | -52.500 | 74h | -28.500 | B4h | -4.500 | F4h | 0.000 |
| 35h | -52.125 | 75h | -28.125 | B5h | -4.125 | F5h | 0.000 |
| 36h | -51.750 | 76h | -27.750 | B6h | -3.750 | F6h | 0.000 |
| 37h | -51.375 | 77h | -27.375 | B7h | -3.375 | F7h | 0.000 |
| 38h | -51.000 | 78h | -27.000 | B8h | -3.000 | F8h | 0.000 |
| 39h | -50.625 | 79h | -26.625 | B9h | -2.625 | F9h | 0.000 |
| 3Ah | -50.250 | 7Ah | -26.250 | BAh | -2.250 | FAh | 0.000 |
| 3Bh | -49.875 | 7Bh | -25.875 | BBh | -1.875 | FBh | 0.000 |
| 3Ch | -49.500 | 7Ch | -25.500 | BCh | -1.500 | FCh | 0.000 |
| 3Dh | -49.125 | 7Dh | -25.125 | BDh | -1.125 | FDh | 0.000 |
| 3Eh | -48.750 | 7Eh | -24.750 | BEh | -0.750 | FEh | 0.000 |
| 3Fh | -48.375 | 7Fh | -24.375 | BFh | -0.375 | FFh | 0.000 |

Table 33 DAC Digital Volume Range

DAC SOFT MUTE AND SOFT UN-MUTE

The WM8993 has a soft mute function which, when enabled, gradually attenuates the volume of the DAC output. When soft mute is disabled, the gain will either gradually ramp back up to the digital gain setting, or return instantly to the digital gain setting, depending on the DAC_UNMUTE_RAMP register bit.

The DAC is soft-muted by default (DAC_MUTE = 1). To play back an audio signal, this function must first be disabled by setting DAC_MUTE to 0.

Soft Mute Mode would typically be enabled (DAC_UNMUTE_RAMP = 1) when using DAC_MUTE during playback of audio data so that when DAC_MUTE is subsequently disabled, the sudden volume increase will not create pop noise by jumping immediately to the previous volume level (e.g. resuming playback after pausing during a track).

Soft Mute Mode would typically be disabled (DAC_UNMUTE_RAMP = 0) when un-muting at the start of a music file, in order that the first part of the track is not attenuated (e.g. when starting playback of a new track, or resuming playback after pausing between tracks).

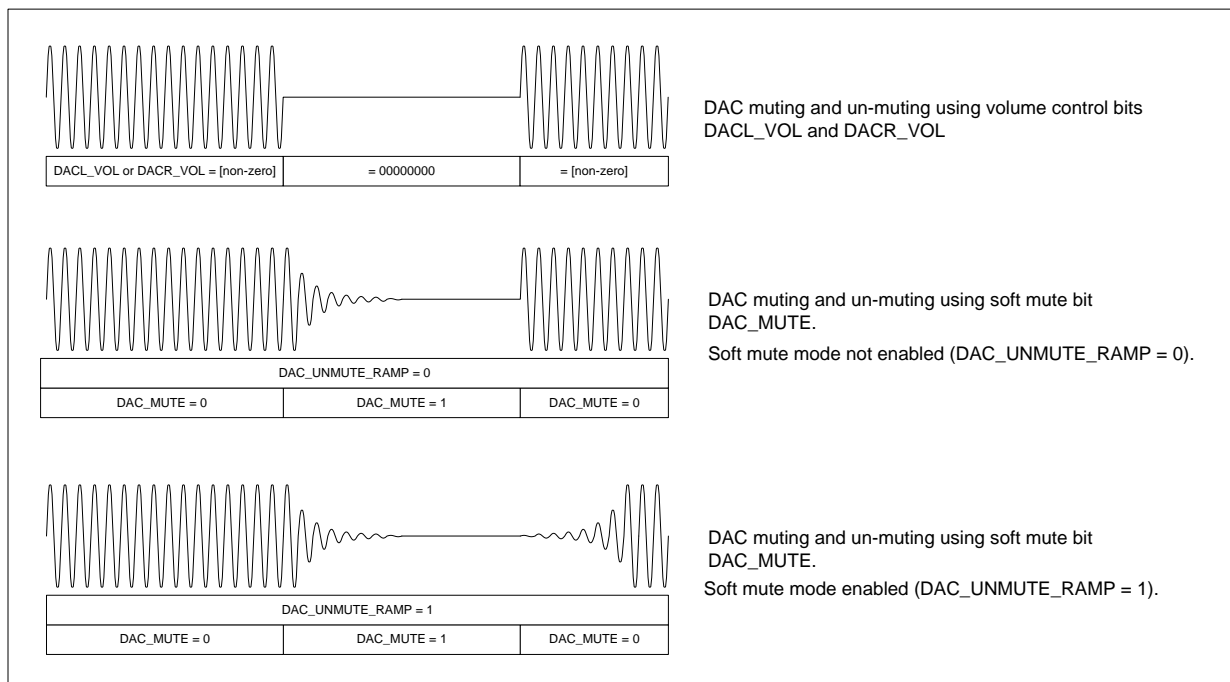


Figure 21 DAC Soft Mute Control

The volume ramp rate during soft mute and un-mute is controlled by the DAC_MUTERATE bit. Ramp rates of $fs/32$ and $fs/2$ are selectable as shown in Table 34. The ramp rate determines the rate at which the volume will be increased or decreased. The actual ramp time depends on the extent of the difference between the muted and un-muted volume settings.

| REGISTER ADDRESS | BIT | LABEL | DEFAULT | DESCRIPTION |
|-----------------------|-----|-----------------|---------|---|
| R10 (0Ah) DAC CTRL | 7 | DAC_MUTERATE | 0 | DAC Soft Mute Ramp Rate 0 = Fast ramp (fs/2, maximum ramp time is 10.7ms at fs=48k) 1 = Slow ramp (fs/32, maximum ramp time is 171ms at fs=48k) (Note: ramp rate scales with sample rate.) |
| | 6 | DAC_UNMUTE_RAMP | 0 | DAC Unmute Ramp select 0 = Disabling soft-mute (DAC_MUTE=0) will cause the DAC volume to change immediately to DACL_VOL and DACR_VOL settings 1 = Disabling soft-mute (DAC_MUTE=0) will cause the DAC volume to ramp up gradually to the DACL_VOL and DACR_VOL settings |
| | 2 | DAC_MUTE | 1 | DAC Soft Mute Control 0 = DAC Un-mute 1 = DAC Mute |

Table 34 DAC Soft-Mute Control

DAC MONO MIX

A DAC digital mono-mix mode can be enabled using the DAC_MONO register bit. The mono mix is generated as the sum of the Left and Right channel DAC data. To prevent clipping, a -6dB attenuation is automatically applied to the mono mix.

The mono mix is only supported when one or other DAC is disabled. If DACL_ENA and DACR_ENA are both set, then stereo operation applies.

| REGISTER ADDRESS | BIT | LABEL | DEFAULT | DESCRIPTION |
|-----------------------|-----|----------|---------|--|
| R10 (0Ah) DAC CTRL | 9 | DAC_MONO | 0 | DAC Mono Mix 0 = Disabled 1 = Enabled Only valid when one or other DAC is disabled. |

Table 35 DAC Mono Mix

DAC DE-EMPHASIS

Digital de-emphasis can be applied to the DAC playback data; this is appropriate when the data source is a CD where pre-emphasis is used in the recording. De-emphasis filtering is available for sample rates of 48kHz, 44.1kHz and 32kHz. See "Digital Filter Characteristics" section for details of de-emphasis filter characteristics.

| REGISTER ADDRESS | BIT | LABEL | DEFAULT | DESCRIPTION |
|-----------------------|-----|-----------------|---------|--|
| R10 (0Ah) DAC CTRL | 5:4 | DEEMPH [1:0] | 00 | DAC De-Emphasis Control 00 = No de-emphasis 01 = 32kHz sample rate 10 = 44.1kHz sample rate 11 = 48kHz sample rate |

Table 36 DAC De-Emphasis Control

DAC SLOPING STOPBAND FILTER

Two DAC filter types are available, selected by the register bit DAC_SB_FILT. When operating at lower sample rates (e.g. during voice communication) it is recommended that the sloping stopband filter type is selected (DAC_SB_FILT=1) to reduce out-of-band noise which can be audible at low DAC sample rates. See "Digital Filter Characteristics" section for details of DAC filter characteristics.

The DAC filter type is determined automatically by the WM8993 in Automatic Clocking Configuration mode. The DAC_SB_FILT register bit is only effective in Manual Clocking Configuration mode. See "Clocking and Sample Rates" for details of the Clocking Configuration mode selection.

| REGISTER ADDRESS | BIT | LABEL | DEFAULT | DESCRIPTION |
|-----------------------|-----|-------------|---------|--|
| R10 (0Ah) DAC CTRL | 8 | DAC_SB_FILT | 0 | Selects DAC filter characteristics 0 = Normal mode 1 = Sloping stopband mode Note - this field is ignored and invalid in Automatic Clocking Configuration mode. |

Table 37 DAC Sloping Stopband Filter

OUTPUT SIGNAL PATH

The WM8993 output routing and mixers provide a high degree of flexibility, allowing operation of many simultaneous signal paths through the device to a variety of analogue outputs. The outputs include a ground referenced headphone driver, two switchable class D/AB loudspeaker drivers, an ear speaker driver and four highly flexible line drivers. See “Analogue Outputs” for further details of these outputs.

The WM8993 output signal paths and control registers are illustrated in Figure 22.

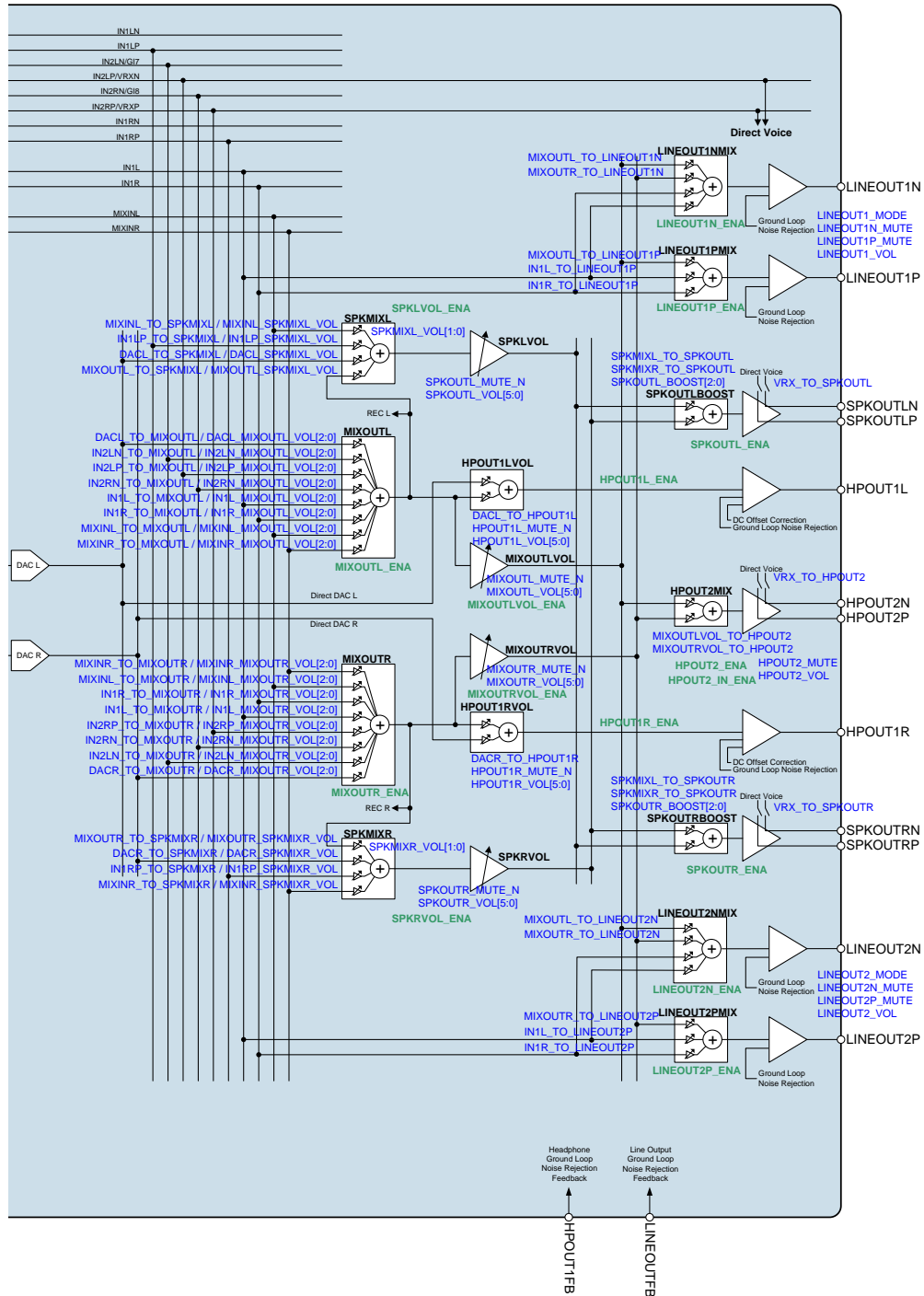


Figure 22 Control Registers for Output Signal Path

OUTPUT SIGNAL PATHS ENABLE

The output mixers and drivers can be independently enabled and disabled as described in Table 38.

Note that the headphone outputs HPOUT1L and HPOUT1R have dedicated output PGAs and volume controls. As a result, a low power consumption DAC playback path can be supported without needing to enable the output mixers MIXOUTL / MIXOUTR or the mixer output PGAs MIXOUTLVOL / MIXOUTRVOL.

| REGISTER ADDRESS | BIT | LABEL | DEFAULT | DESCRIPTION |
|----------------------------------|-----|---------------|---------|--|
| R1 (01h) Power Management (1) | 13 | SPKOUTR_ENA | 0b | SPKMIXR Mixer, SPKRVOL PGA and SPKOUTR Output Enable 0 = Disabled 1 = Enabled |
| | 12 | SPKOUTL_ENA | 0b | SPKMIXL Mixer, SPKLVOL PGA and SPKOUTL Output Enable 0 = Disabled 1 = Enabled |
| | 11 | HPOUT2_ENA | 0b | HPOUT2 Output Stage Enable 0 = Disabled 1 = Enabled |
| | 9 | HPOUT1L_ENA | 0b | Enables HPOUT1L input stage 0 = Disabled 1 = Enabled Note: When HPOUT1_AUTO_PU is set, the HPOUT1L_ENA bit automatically enables all stages of the left headphone driver |
| | 8 | HPOUT1R_ENA | 0b | Enables HPOUT1R input stage 0 = Disabled 1 = Enabled Note: When HPOUT1_AUTO_PU is set, the HPOUT1R_ENA bit automatically enables all stages of the right headphone driver |
| R3 (03h) Power Management (3) | 13 | LINEOUT1N_ENA | 0b | LINEOUT1N Line Out and LINEOUT1NMIX Enable 0 = Disabled 1 = Enabled |
| | 12 | LINEOUT1P_ENA | 0b | LINEOUT1P Line Out and LINEOUT1PMIX Enable 0 = Disabled 1 = Enabled |
| | 11 | LINEOUT2N_ENA | 0b | LINEOUT2N Line Out and LINEOUT2NMIX Enable 0 = Disabled 1 = Enabled |
| | 10 | LINEOUT2P_ENA | 0b | LINEOUT2P Line Out and LINEOUT2PMIX Enable 0 = Disabled 1 = Enabled |
| | 9 | SPKRVOL_ENA | 0b | SPKMIXR Mixer and SPKRVOL PGA Enable 0 = Disabled 1 = Enabled Note that SPKMIXR and SPKRVOL are also enabled when SPKOUTR_ENA is set. |

| REGISTER ADDRESS | BIT | LABEL | DEFAULT | DESCRIPTION |
|-----------------------|-----|----------------|---------|--|
| | 8 | SPKLVOL_ENA | 0b | SPKMIXL Mixer and SPKLVOL PGA Enable 0 = Disabled 1 = Enabled Note that SPKMIXL and SPKLVOL are also enabled when SPKOUTL_ENA is set. |
| | 7 | MIXOUTLVOL_ENA | 0b | MIXOUTL Left Volume Control Enable 0 = Disabled 1 = Enabled |
| | 6 | MIXOUTRVOL_ENA | 0b | MIXOUTR Right Volume Control Enable 0 = Disabled 1 = Enabled |
| | 5 | MIXOUTL_ENA | 0b | MIXOUTL Left Output Mixer Enable 0 = Disabled 1 = Enabled |
| | 4 | MIXOUTR_ENA | 0b | MIXOUTR Right Output Mixer Enable 0 = Disabled 1 = Enabled |
| R56 (38h) AntiPOP1 | 6 | HPOUT2_IN_ENA | 0b | HPOUT2MIX Mixer and Input Stage Enable 0 = Disabled 1 = Enabled |

Table 38 Output Signal Paths Enable

HEADPHONE SIGNAL PATHS ENABLE

The HPOUT1L and HPOUT1R output paths can be actively discharged to AGND through internal resistors if desired. This is desirable at start-up in order to achieve a known output stage condition prior to enabling the VMID reference voltage. This is also desirable in shutdown to prevent the external connections from being affected by the internal circuits. The HPOUT1L and HPOUT1R outputs are shorted to AGND by default; the short circuit is removed on each of these paths by setting the applicable fields HPOUT1L_RMV_SHORT or HPOUT1R_RMV_SHORT.

The ground-referenced Headphone output drivers are designed to suppress pops and clicks when enabled or disabled. However, it is necessary to control the drivers in accordance with a defined sequence in start-up and shut-down to achieve the pop suppression. It is also necessary to schedule the DC Servo offset correction at the appropriate point in the sequence (see "DC Servo"). Table 39 and Table 40 describe the recommended sequences for enabling and disabling these output drivers.

| SEQUENCE | HEADPHONE ENABLE |
|----------|--|
| Step 1 | HPOUT1L_ENA = 1 HPOUT1R_ENA = 1 |
| Step 2 | 20 μ s delay |
| Step 3 | HPOUT1L_DLY = 1 HPOUT1R_DLY = 1 |
| Step 4 | DC offset correction |
| Step 5 | HPOUT1L_OUTP = 1 HPOUT1L_RMV_SHORT = 1 HPOUT1R_OUTP = 1 HPOUT1R_RMV_SHORT = 1 |

Table 39 Headphone Output Enable Sequence

| SEQUENCE | HEADPHONE DISABLE |
|----------|--|
| Step 1 | HPOUT1L_RMV_SHORT = 0 HPOUT1L_DLY = 0 HPOUT1L_OUTP = 0 HPOUT1R_RMV_SHORT = 0 HPOUT1R_DLY = 0 HPOUT1R_OUTP = 0 |
| Step 2 | HPOUT1L_ENA = 0 HPOUT1R_ENA = 0 |

Table 40 Headphone Output Disable Sequence

The sequences described above in Table 39 and Table 40 are implemented automatically by the WM8993 when the HPOUT1_AUTO_PU bit is set, which is the default condition. In this mode, the enable sequence is triggered by setting the HPOUT1L_ENA and HPOUT1R_ENA bits in register R1. Note that the Charge Pump is also enabled automatically in this mode.

The register bits relating to pop suppression control are defined in Table 41.

| REGISTER ADDRESS | BIT | LABEL | DEFAULT | DESCRIPTION |
|----------------------------------|-----|-------------------|---------|--|
| R1 (01h) Power Management (1) | 9 | HPOUT1L_ENA | 0b | Enables HPOUT1L input stage 0 = Disabled 1 = Enabled For normal operation, this bit should be set as the first step of the HPOUT1L Enable sequence. Note: When HPOUT1_AUTO_PU is set, the HPOUT1L_ENA bit automatically enables all stages of the left headphone driver |
| | 8 | HPOUT1R_ENA | 0b | Enables HPOUT1R input stage 0 = Disabled 1 = Enabled For normal operation, this bit should be set as the first step of the HPOUT1R Enable sequence. Note: When HPOUT1_AUTO_PU is set, the HPOUT1R_ENA bit automatically enables all stages of the right headphone driver |
| R96 (60h) Analogue HP 0 | 8 | HPOUT1_AUTO_PU | 1b | Enables automatic power-up of HPOUT1 by monitoring HPOUT1L_ENA and HPOUT1R_ENA 0 = Disabled 1 = Enabled |
| | 7 | HPOUT1L_RMV_SHORT | 0b | Removes HPOUT1L short 0 = HPOUT1L short enabled 1 = HPOUT1L short removed For normal operation, this bit should be set as the final step of the HPOUT1L Enable sequence. |
| | 6 | HPOUT1L_OUTP | 0b | Enables HPOUT1L output stage 0 = Disabled 1 = Enabled For normal operation, this bit should be set to 1 after the DC offset cancellation has been scheduled. |

| REGISTER ADDRESS | BIT | LABEL | DEFAULT | DESCRIPTION |
|------------------|-----|-------------------|---------|---|
| | 5 | HPOUT1L_DLY | 0b | Enables HPOUT1L intermediate stage 0 = Disabled 1 = Enabled For normal operation, this bit should be set to 1 after the output signal path has been configured, and before DC offset cancellation is scheduled. This bit should be set with at least 20us delay after HPOUT1L_ENA. |
| | 3 | HPOUT1R_RMV_SHORT | 0b | Removes HPOUT1R short 0 = HPOUT1R short enabled 1 = HPOUT1R short removed For normal operation, this bit should be set as the final step of the HPOUT1R Enable sequence. |
| | 2 | HPOUT1R_OUTP | 0b | Enables HPOUT1R output stage 0 = Disabled 1 = Enabled For normal operation, this bit should be set to 1 after the DC offset cancellation has been scheduled. |
| | 1 | HPOUT1R_DLY | 0b | Enables HPOUT1R intermediate stage 0 = Disabled 1 = Enabled For normal operation, this bit should be set to 1 after the output signal path has been configured, and before DC offset cancellation is scheduled. This bit should be set with at least 20us delay after HPOUT1R_ENA. |

Table 41 Pop Suppression Control

OUTPUT MIXER CONTROL

The Output Mixer path select and volume controls are described in Table 42 for the Left Channel (MIXOUTL) and Table 43 for the Right Channel (MIXOUTR). The gain of each of input path may be controlled independently in the range described in Table 44. The DAC input levels may also be controlled by the DAC digital volume control - see "Digital to Analogue Converter (DAC)" for further details.

| REGISTER ADDRESS | BIT | LABEL | DEFAULT | DESCRIPTION |
|----------------------------|-----|-------------------------|---------|---|
| R45 (2Dh) Output Mixer1 | 5 | IN2RN_TO_MIXOUTL | 0b | IN2RN to MIXOUTL Mute 0 = Mute 1 = Un-mute |
| R49 (31h) Output Mixer5 | 8:6 | IN2RN_MIXOUTL_VOL [2:0] | 000b | IN2RN to MIXOUTL Volume 0dB to -21dB in 3dB steps (See Table 44 for Volume Range) |
| R45 (2Dh) Output Mixer1 | 4 | IN2LN_TO_MIXOUTL | 0b | IN2LN to MIXOUTL Mute 0 = Mute 1 = Un-mute |
| R47 (2Fh) Output Mixer3 | 8:6 | IN2LN_MIXOUTL_VOL [2:0] | 000b | IN2LN to MIXOUTL Volume 0dB to -21dB in 3dB steps (See Table 44 for Volume Range) |

| REGISTER ADDRESS | BIT | LABEL | DEFAULT | DESCRIPTION |
|----------------------------|------|--------------------------|---------|--|
| R45 (2Dh) Output Mixer1 | 2 | IN1L_TO_MIXOUTL | 0b | IN1L PGA Output to MIXOUTL Mute 0 = Mute 1 = Un-mute |
| R47 (2Fh) Output Mixer3 | 2:0 | IN1L_MIXOUTL_VOL [2:0] | 000b | IN1L PGA Output to MIXOUTL Volume 0dB to -21dB in 3dB steps (See Table 44 for Volume Range) |
| R45 (2Dh) Output Mixer1 | 3 | IN1R_TO_MIXOUTL | 0 | IN1R PGA Output to MIXOUTL Mute 0 = Mute 1 = Un-mute |
| R47 (2Fh) Output Mixer3 | 5:3 | IN1R_MIXOUTL_VOL [2:0] | 000b | IN1R PGA Output to MIXOUTL Volume 0dB to -21dB in 3dB steps (See Table 44 for Volume Range) |
| R45 (2Dh) Output Mixer1 | 1 | IN2LP_TO_MIXOUTL | 0b | IN2LP to MIXOUTL Mute 0 = Mute 1 = Un-mute |
| R47 (2Fh) Output Mixer3 | 11:9 | IN2LP_MIXOUTL_VOL [2:0] | 000b | IN2LP to MIXOUTL Volume 0dB to -21dB in 3dB steps (See Table 44 for Volume Range) |
| R45 (2Dh) Output Mixer1 | 7 | MIXINR_TO_MIXOUTL | 0b | MIXINR Output (Right ADC bypass) to MIXOUTL Mute 0 = Mute 1 = Un-mute |
| R49 (31h) Output Mixer5 | 5:3 | MIXINR_MIXOUTL_VOL [2:0] | 000b | MIXINR Output (Right ADC bypass) to MIXOUTL Volume 0dB to -21dB in 3dB steps (See Table 44 for Volume Range) |
| R45 (2Dh) Output Mixer1 | 6 | MIXINL_TO_MIXOUTL | 0b | MIXINL Output (Left ADC bypass) to MIXOUTL Mute 0 = Mute 1 = Un-mute |
| R49 (31h) Output Mixer5 | 2:0 | MIXINL_MIXOUTL_VOL [2:0] | 000b | MIXINL Output (Left ADC bypass) to MIXOUTL Volume 0dB to -21dB in 3dB steps (See Table 44 for Volume Range) |
| R45 (2Dh) Output Mixer1 | 0 | DACL_TO_MIXOUTL | 0b | Left DAC to MIXOUTL Mute 0 = Mute 1 = Un-mute |
| R49 (31h) Output Mixer5 | 11:9 | DACL_MIXOUTL_VOL [2:0] | 000b | Left DAC to MIXOUTL Volume 0dB to -21dB in 3dB steps (See Table 44 for Volume Range) |

Table 42 Left Output Mixer (MIXOUTL) Control

| REGISTER ADDRESS | BIT | LABEL | DEFAULT | DESCRIPTION |
|----------------------------|------|---------------------------|---------|--|
| R46 (2Eh) Output Mixer2 | 5 | IN2LN_TO_MIXOUTR | 0b | IN2LN to MIXOUTR Mute 0 = Mute 1 = Un-mute |
| R50 (32h) Output Mixer6 | 8:6 | IN2LN_MIXOUTR_VOL [2:0] | 000b | IN2LN to MIXOUTR Volume 0dB to -21dB in 3dB steps (See Table 44 for Volume Range) |
| R46 (2Eh) Output Mixer2 | 4 | IN2RN_TO_MIXOUTR | 0b | IN2RN to MIXOUTR Mute 0 = Mute 1 = Un-mute |
| R48 (30h) Output Mixer4 | 8:6 | IN2RN_MIXOUTR_VOL [2:0] | 000b | IN2RN to MIXOUTR Volume 0dB to -21dB in 3dB steps (See Table 44 for Volume Range) |
| R46 (2Eh) Output Mixer2 | 3 | IN1L_TO_MIXOUTR | 0b | IN1L PGA Output to MIXOUTR Mute 0 = Mute 1 = Un-mute |
| R48 (30h) Output Mixer4 | 5:3 | IN1L_MIXOUTR_VOL [2:0] | 000b | IN1L PGA Output to MIXOUTR Volume 0dB to -21dB in 3dB steps (See Table 44 for Volume Range) |
| R46 (2Eh) Output Mixer2 | 2 | IN1R_TO_MIXOUTR | 0 | IN1R PGA Output to MIXOUTR Mute 0 = Mute 1 = Un-mute |
| R48 (30h) Output Mixer4 | 2:0 | IN1R_MIXOUTR_VOL [2:0] | 000b | IN1R PGA Output to MIXOUTR Volume 0dB to -21dB in 3dB steps (See Table 44 for Volume Range) |
| R46 (2Eh) Output Mixer2 | 1 | IN2RP_TO_MIXOUTR | 0b | IN2RP to MIXOUTR Mute 0 = Mute 1 = Un-mute |
| R48 (30h) Output Mixer4 | 11:9 | IN2RP_MIXOUTR_VOL [2:0] | 000b | IN2RP to MIXOUTR Volume 0dB to -21dB in 3dB steps (See Table 44 for Volume Range) |
| R46 (2Eh) Output Mixer2 | 7 | MIXINL_TO_MIXOUTR | 0b | MIXINL Output (Left ADC bypass) to MIXOUTR Mute 0 = Mute 1 = Un-mute |
| R50 (32h) Output Mixer6 | 5:3 | MIXINL_MIXOUTR_VO L[2:0] | 000b | MIXINL Output (Left ADC bypass) to MIXOUTR Volume 0dB to -21dB in 3dB steps (See Table 44 for Volume Range) |
| R46 (2Eh) Output Mixer2 | 6 | MIXINR_TO_MIXOUTR | 0b | MIXINR Output (Right ADC bypass) to MIXOUTR Mute 0 = Mute 1 = Un-mute |
| R50 (32h) Output Mixer6 | 2:0 | MIXINR_MIXOUTR_VO L [2:0] | 000b | MIXINR Output (Right ADC bypass) to MIXOUTR Volume 0dB to -21dB in 3dB steps (See Table 44 for Volume Range) |
| R46 (2Eh) Output Mixer2 | 0 | DACR_TO_MIXOUTR | 0b | Right DAC to MIXOUTR Mute 0 = Mute 1 = Un-mute |
| R50 (32h) Output Mixer6 | 11:9 | DACR_MIXOUTR_VOL [2:0] | 000b | Right DAC to MIXOUTR Volume 0dB to -21dB in 3dB steps (See Table 44 for Volume Range) |

Table 43 Right Output Mixer (MIXOUTR) Control

| VOLUME SETTING | VOLUME (dB) |
|----------------|-------------|
| 000 | 0 |
| 001 | -3 |
| 010 | -6 |
| 011 | -9 |
| 100 | -12 |
| 101 | -15 |
| 110 | -18 |
| 111 | -21 |

Table 44 MIXOUTL and MIXOUTR Volume Range

SPEAKER MIXER CONTROL

The Speaker Mixer path select and volume controls are described in Table 45 for the Left Channel (SPKMIXL) and Table 46 for the Right Channel (SPKMIXR).

Care should be taken when enabling more than one path to a speaker mixer in order to avoid clipping. The gain of each input path is adjustable using a selectable -3dB control in each path to facilitate this. Each Speaker Mixer output is also controlled by an additional independent volume control. The DAC input levels may also be controlled by the DAC digital volume control - see "Digital to Analogue Converter (DAC)" for further details.

| REGISTER ADDRESS | BIT | LABEL | DEFAULT | DESCRIPTION |
|-------------------------------------|-----|---------------------|---------|--|
| R54 (36h) Speaker Mixer | 7 | MIXINL_TO_SPKMIXL | 0b | MIXINL (Left ADC bypass) to SPKMIXL Mute 0 = Mute 1 = Un-mute |
| | 5 | IN1LP_TO_SPKMIXL | 0b | IN1LP to SPKMIXL Mute 0 = Mute 1 = Un-mute |
| | 3 | MIXOUTL_TO_SPKMIXL | 0b | Left Mixer Output to SPKMIXL Mute 0 = Mute 1 = Un-mute |
| | 1 | DACL_TO_SPKMIXL | 0b | Left DAC to SPKMIXL Mute 0 = Mute 1 = Un-mute |
| R34 (22h) SPKMIXL Attenuation | 5 | MIXINL_SPKMIXL_VOL | 0b | MIXINL (Left ADC bypass) to SPKMIXL Fine Volume Control 0 = 0dB 1 = -3dB |
| | 4 | IN1LP_SPKMIXL_VOL | 0b | IN1LP to SPKMIXL Fine Volume Control 0 = 0dB 1 = -3dB |
| | 3 | MIXOUTL_SPKMIXL_VOL | 0b | Left Mixer Output to SPKMIXL Fine Volume Control 0 = 0dB 1 = -3dB |
| | 2 | DACL_SPKMIXL_VOL | 0b | Left DAC to SPKMIXL Fine Volume Control 0 = 0dB 1 = -3dB |

| REGISTER ADDRESS | BIT | LABEL | DEFAULT | DESCRIPTION |
|------------------|-----|-------------------|---------|---|
| | 1:0 | SPKMIXL_VOL [1:0] | 11b | Left Speaker Mixer Volume Control 00 = 0dB 01 = -6dB 10 = -12dB 11 = mute |

Table 45 Left Speaker Mixer (SPKMIXL) Control

| REGISTER ADDRESS | BIT | LABEL | DEFAULT | DESCRIPTION |
|----------------------------------|-----|---------------------|---------|--|
| R54 (36h) Speaker Mixer | 6 | MIXINR_TO_SPKMIXR | 0b | MIXINR (Right ADC bypass) to SPKMIXR Mute 0 = Mute 1 = Un-mute |
| | 4 | IN1RP_TO_SPKMIXR | 0b | IN1RP to SPKMIXR Mute 0 = Mute 1 = Un-mute |
| | 2 | MIXOUTR_TO_SPKMIXR | 0b | Right Mixer Output to SPKMIXR Mute 0 = Mute 1 = Un-mute |
| | 0 | DACR_TO_SPKMIXR | 0b | Right DAC to SPKMIXR Mute 0 = Mute 1 = Un-mute |
| R35 (22h) SPKMIXR Attenuation | 5 | MIXINR_SPKMIXR_VOL | 0b | MIXINR (Right ADC bypass) to SPKMIXR Fine Volume Control 0 = 0dB 1 = -3dB |
| | 4 | IN1RP_SPKMIXR_VOL | 0b | IN1RP to SPKMIXR Fine Volume Control 0 = 0dB 1 = -3dB |
| | 3 | MIXOUTR_SPKMIXR_VOL | 0b | Right Mixer Output to SPKMIXR Fine Volume Control 0 = 0dB 1 = -3dB |
| | 2 | DACR_SPKMIXR_VOL | 0b | Right DAC to SPKMIXR Fine Volume Control 0 = 0dB 1 = -3dB |
| | 1:0 | SPKMIXR_VOL [1:0] | 11b | Right Speaker Mixer Volume Control 00 = 0dB 01 = -6dB 10 = -12dB 11 = mute |

Table 46 Right Speaker Mixer (SPKMIXR) Control
OUTPUT SIGNAL PATH VOLUME CONTROL

There are six output PGAs - MIXOUTLVOL, MIXOUTRVOL, HPOUT1LVOL, HPOUT1RVOL, SPKLVOL and SPKRVOL. Each can be independently controlled, with MIXOUTLVOL and MIXOUTRVOL providing volume control to both the earpiece and line drivers, HPOUT1LVOL and HPOUT1RVOL to the headphone driver, and SPKLVOL and SPKRVOL to the speaker drivers.

The volume control of each of these output PGAs can be adjusted over a wide range of values. To minimise pop noise, it is recommended that only the MIXOUTLVOL, MIXOUTRVOL, HPOUT1LVOL, HPOUT1RVOL, SPKLVOL and SPKRVOL are modified while the output signal path is active. Other gain controls are provided in the signal paths to provide scaling of signals from different sources, and to prevent clipping when multiple signals are mixed. However, to prevent pop noise, it is recommended that those other gain controls should not be modified while the signal path is active.

To prevent "zipper noise", a zero-cross function is provided on the output PGAs. When this feature is enabled, volume updates will not take place until a zero-crossing is detected. In the case of a long period without zero-crossings, a timeout function is provided. When the zero-cross function is enabled, the volume will update after the timeout period if no earlier zero-cross has occurred. The timeout clock is enabled using TOCLK_ENA; the timeout period is set by TOCLK_RATE. See "Clocking and Sample Rates" for more information on these fields.

The mixer output PGA controls are shown in Table 47. The MIXOUT_VU bits control the loading of the output mixer PGA volume data. When MIXOUT_VU is set to 0, the volume control data will be loaded into the respective control register, but will not actually change the gain setting. The output mixer PGA volume settings are both updated when a 1 is written to either MIXOUT_VU bit. This makes it possible to update the gain of both output paths simultaneously.

| REGISTER ADDRESS | BIT | LABEL | DEFAULT | DESCRIPTION |
|-----------------------------------|-----|-------------------|--------------|--|
| R32 (20h) Left OPGA Volume | 8 | MIXOUT_VU | N/A | Mixer Output PGA Volume Update Writing a 1 to this bit will update MIXOUTLVOL and MIXOUTRVOL volumes simultaneously. |
| | 7 | MIXOUTL_ZC | 0b | MIXOUTLVOL (Left Mixer Output PGA) Zero Cross Enable 0 = Zero cross disabled 1 = Zero cross enabled |
| | 6 | MIXOUTL_MUTE_N | 1b | MIXOUTLVOL (Left Mixer Output PGA) Mute 0 = Mute 1 = Un-mute |
| | 5:0 | MIXOUTL_VOL [5:0] | 39h (0dB) | MIXOUTLVOL (Left Mixer Output PGA) Volume -57dB to +6dB in 1dB steps (See Table 50 for output PGA volume control range) |
| R33 (21h) Right OPGA Volume | 8 | MIXOUT_VU | N/A | Mixer Output PGA Volume Update Writing a 1 to this bit will update MIXOUTLVOL and MIXOUTRVOL volumes simultaneously. |
| | 7 | MIXOUTR_ZC | 0b | MIXOUTRVOL (Right Mixer Output PGA) Zero Cross Enable 0 = Zero cross disabled 1 = Zero cross enabled |
| | 6 | MIXOUTR_MUTE_N | 1b | MIXOUTRVOL (Right Mixer Output PGA) Mute 0 = Mute 1 = Un-mute |
| | 5:0 | MIXOUTR_VOL [5:0] | 39h (0dB) | MIXOUTRVOL (Right Mixer Output PGA) Volume -57dB to +6dB in 1dB steps (See Table 50 for output PGA volume control range) |

Table 47 Mixer Output PGA (MIXOUTLVOL, MIXOUTRVOL) Control

The headphone output PGA is configurable between two input sources. The default input to each headphone output PGA is the respective output mixer (MIXOUTL or MIXOUTR). A direct path from the DACL or DACR can be selected using the DACL_TO_HPOUT1L and DACR_TO_HPOUT1R

register bits. When these bits are selected, a DAC to Headphone playback path is possible without using the output mixers; this offers reduced power consumption by allowing the output mixers to be disabled in this typical usage case.

The headphone output PGA controls are shown in Table 48. The HPOUT1_VU bits control the loading of the headphone PGA volume data. When HPOUT1_VU is set to 0, the volume control data will be loaded into the respective control register, but will not actually change the gain setting. The headphone PGA volume settings are both updated when a 1 is written to either HPOUT1_VU bit. This makes it possible to update the gain of both output paths simultaneously.

| REGISTER ADDRESS | BIT | LABEL | DEFAULT | DESCRIPTION |
|-------------------------------------|-----|-------------------|----------------|--|
| R28 (1Ch) Left Output Volume | 8 | HPOUT1_VU | N/A | Headphone Output PGA Volume Update Writing a 1 to this bit will update HPOUT1LVOL and HPOUT1RVOL volumes simultaneously. |
| | 7 | HPOUT1L_ZC | 0b | HPOUT1LVOL (Left Headphone Output PGA) Zero Cross Enable 0 = Zero cross disabled 1 = Zero cross enabled |
| | 6 | HPOUT1L_MUTE_N | 1b | HPOUT1LVOL (Left Headphone Output PGA) Mute 0 = Mute 1 = Un-mute |
| | 5:0 | HPOUT1L_VOL [5:0] | 2Dh (-12dB) | HPOUT1LVOL (Left Headphone Output PGA) Volume -57dB to +6dB in 1dB steps (See Table 50 for output PGA volume control range) |
| R45 (2Dh) Output Mixer1 | 8 | DACL_TO_HPOUT1L | 0b | HPOUT1LVOL (Left Headphone Output PGA) Input Select 0 = MIXOUTL 1 = DACL |
| R29 (1Dh) Right Output Volume | 8 | HPOUT1_VU | N/A | Headphone Output PGA Volume Update Writing a 1 to this bit will update HPOUT1LVOL and HPOUT1RVOL volumes simultaneously. |
| | 7 | HPOUT1R_ZC | 0b | HPOUT1RVOL (Right Headphone Output PGA) Zero Cross Enable 0 = Zero cross disabled 1 = Zero cross enabled |
| | 6 | HPOUT1R_MUTE_N | 1b | HPOUT1RVOL (Right Headphone Output PGA) Mute 0 = Mute 1 = Un-mute |
| | 5:0 | HPOUT1R_VOL [5:0] | 2Dh (-12dB) | HPOUT1RVOL (Right Headphone Output PGA) Volume -57dB to +6dB in 1dB steps (See Table 50 for output PGA volume control range) |
| R46 (2Eh) Output Mixer2 | 8 | DACR_TO_HPOUT1R | 0b | HPOUT1RVOL (Right Headphone Output PGA) Input Select 0 = MIXOUTR 1 = DACR |

Table 48 Headphone Output PGA (HPOUT1LVOL, HPOUT1RVOL) Control

The speaker output PGA controls are shown in Table 49. The SPKOUT_VU bits control the loading of the speaker PGA volume data. When SPKOUT_VU is set to 0, the volume control data will be loaded into the respective control register, but will not actually change the gain setting. The speaker PGA volume settings are both updated when a 1 is written to either SPKOUT_VU bit. This makes it possible to update the gain of both output paths simultaneously.

| REGISTER ADDRESS | BIT | LABEL | DEFAULT | DESCRIPTION |
|--------------------------------------|-----|-------------------|--------------|---|
| R38 (26h) Speaker Volume Left | 8 | SPKOUT_VU | N/A | Speaker Output PGA Volume Update Writing a 1 to this bit will update SPKLVOL and SPKRVOL volumes simultaneously. |
| | 7 | SPKOUTL_ZC | 0b | SPKLVOL (Left Speaker Output PGA) Zero Cross Enable 0 = Zero cross disabled 1 = Zero cross enabled |
| | 6 | SPKOUTL_MUTE_N | 1b | SPKLVOL (Left Speaker Output PGA) Mute 0 = Mute 1 = Un-mute |
| | 5:0 | SPKOUTL_VOL [5:0] | 39h (0dB) | SPKLVOL (Left Speaker Output PGA) Volume -57dB to +6dB in 1dB steps (See Table 50 for output PGA volume control range) |
| R39 (27h) Speaker Volume Right | 8 | SPKOUT_VU | N/A | Speaker PGA Volume Update Writing a 1 to this bit will update SPKLVOL and SPKRVOL volumes simultaneously. |
| | 7 | SPKOUTR_ZC | 0b | SPKRVOL (Right Speaker Output PGA) Zero Cross Enable 0 = Zero cross disabled 1 = Zero cross enabled |
| | 6 | SPKOUTR_MUTE_N | 1b | SPKRVOL (Right Speaker Output PGA) Mute 0 = Mute 1 = Un-mute |
| | 5:0 | SPKOUTR_VOL [5:0] | 39h (0dB) | SPKRVOL (Right Speaker Output PGA) Volume -57dB to +6dB in 1dB steps (See Table 50 for output PGA volume control range) |

Table 49 Speaker Output PGA (SPKLVOL, SPKRVOL) Control

| PGA GAIN SETTING | VOLUME (dB) | PGA GAIN SETTING | VOLUME (dB) |
|------------------|-------------|------------------|-------------|
| 0h | -57 | 20h | -25 |
| 1h | -56 | 21h | -24 |
| 2h | -55 | 22h | -23 |
| 3h | -54 | 23h | -22 |
| 4h | -53 | 24h | -21 |
| 5h | -52 | 25h | -20 |
| 6h | -51 | 26h | -19 |
| 7h | -50 | 27h | -18 |
| 8h | -49 | 28h | -17 |
| 9h | -48 | 29h | -16 |
| Ah | -47 | 2Ah | -15 |
| Bh | -46 | 2Bh | -14 |
| Ch | -45 | 2Ch | -13 |
| Dh | -44 | 2Dh | -12 |
| Eh | -43 | 2Eh | -11 |
| Fh | -42 | 2Fh | -10 |
| 10h | -41 | 30h | -9 |
| 11h | -40 | 31h | -8 |
| 12h | -39 | 32h | -7 |
| 13h | -38 | 33h | -6 |
| 14h | -37 | 34h | -5 |
| 15h | -36 | 35h | -4 |
| 16h | -35 | 36h | -3 |
| 17h | -34 | 37h | -2 |
| 18h | -33 | 38h | -1 |
| 19h | -32 | 39h | 0 |
| 1Ah | -31 | 3Ah | +1 |
| 1Bh | -30 | 3Bh | +2 |
| 1Ch | -29 | 3Ch | +3 |
| 1Dh | -28 | 3Dh | +4 |
| 1Eh | -27 | 3Eh | +5 |
| 1Fh | -26 | 3Fh | +6 |

Table 50 Output PGA Volume Range

SPEAKER BOOST MIXER

Each class D/AB speaker driver has its own boost mixer which performs a dual role. It allows the output from the left speaker mixer (via SPKLVOL), right speaker mixer (via SPKRVOL), or the 'Direct Voice' path to be routed to either speaker driver. (The 'Direct Voice' path is the differential input, VRXN/VRXP, routed directly to the output drivers, providing a low power differential path from baseband voice to loudspeakers.) The speaker boost mixers are controlled using the registers defined in Table 51 below.

The second function of the speaker boost mixers is that they provide an additional AC gain (boost) function to shift signal levels between the AVDD1 and SPKVDD voltage domains for maximum output power. The AC gain (boost) function is described in the "Analogue Outputs" section.

| REGISTER ADDRESS | BIT | LABEL | DEFAULT | DESCRIPTION |
|-------------------------------|-----|--------------------|---------|---|
| R36 (24h) SPKOUT Mixers | 5 | VRX_TO_SPKOUTL | 0b | Direct Voice (Differential Input, VRXN/VRXP) to Left Speaker Mute 0 = Mute 1 = Un-mute |
| | 4 | SPKMIXL_TO_SPKOUTL | 1b | SPKMIXL Left Speaker Mixer to Left Speaker Mute 0 = Mute 1 = Un-mute |
| | 3 | SPKMIXR_TO_SPKOUTL | 0b | SPKMIXR Right Speaker Mixer to Left Speaker Mute 0 = Mute 1 = Un-mute |
| | 2 | VRX_TO_SPKOUTR | 0b | Direct Voice (Differential Input, VRXN/VRXP) to Right Speaker Mute 0 = Mute 1 = Un-mute |
| | 1 | SPKMIXL_TO_SPKOUTR | 0b | SPKMIXL Left Speaker Mixer to Right Speaker Mute 0 = Mute 1 = Un-mute |
| | 0 | SPKMIXR_TO_SPKOUTR | 1b | SPKMIXR Right Speaker Mixer to Right Speaker Mute 0 = Mute 1 = Un-mute |

Table 51 Speaker Boost Mixer (SPKOUTLBOOST, SPKOUTRBOOST) Control

EARPIECE DRIVER MIXER

The earpiece driver has a dedicated mixer, HPOUT2MIX, which is controlled using the registers defined in Table 52. The earpiece driver is configurable to select output from the left output mixer (via MIXOUTLVOL), the right output mixer (via MIXOUTRVOL), or the 'Direct Voice' path. (The 'Direct Voice' path is the differential input, VRXN/VRXP, routed directly to the output drivers, providing a low power differential path from baseband voice to earpiece.)

Care should be taken to avoid clipping when enabling more than one path to the earpiece driver. The HPOUT2VOL volume control can be used to avoid clipping when more than one full scale signal is input to the mixer.

| REGISTER ADDRESS | BIT | LABEL | DEFAULT | DESCRIPTION |
|-------------------------------|-----|--------------------------|---------|---|
| R31 (1Fh) HPOUT2 Volume | 5 | HPOUT2_MUTE | 1b | HPOUT2 (Earpiece Driver) Mute 0 = Un-mute 1 = Mute |
| | 4 | HPOUT2_VOL | 0b | HPOUT2 (Earpiece Driver) Volume 0 = 0dB 1 = -6dB |
| R51 (33h) HPOUT2 Mixer | 5 | VRX_TO_HPOUT2 | 0b | Direct Voice (Differential Input, VRXN/VRXP) to Earpiece Driver 0 = Mute 1 = Un-mute |
| | 4 | MIXOUTLVOL_TO_HP OUT2 | 0b | MIXOUTLVOL (Left Output Mixer PGA) to Earpiece Driver 0 = Mute 1 = Un-mute |
| | 3 | MIXOUTRVOL_TO_HP OUT2 | 0b | MIXOUTRVOL (Right Output Mixer PGA) to Earpiece Driver 0 = Mute 1 = Un-mute |

Table 52 Earpiece Driver Mixer (HPOUT2MIX) Control

LINE OUTPUT MIXERS

The WM8993 provides two pairs of line outputs, both with highly configurable output mixers. The outputs LINEOUT1N and LINEOUT1P can be configured as two single-ended outputs or as a differential output. In the same manner, LINEOUT2N and LINEOUT2P can be configured either as two single-ended outputs or as a differential output. The respective line output mixers can be configured in single-ended mode or differential mode; each mode supports multiple signal path configurations.

LINEOUT1 single-ended mode is selected by setting LINEOUT1_MODE = 1. In single-ended mode, any of three possible signal paths may be enabled:

- MIXOUTL (left output mixer) to LINEOUT1P
- MIXOUTR (right output mixer) to LINEOUT1N
- MIXOUTL (left output mixer) to LINEOUT1N

LINEOUT1 differential mode is selected by setting LINEOUT1_MODE = 0. In differential mode, any of three possible signal paths may be enabled:

- MIXOUTL (left output mixer) to LINEOUT1N and LINEOUT1P
- IN1L (input PGA) to LINEOUT1N and LINEOUT1P
- IN1R (input PGA) to LINEOUT1N and LINEOUT1P

The LINEOUT1 output mixers are controlled as described in Table 53. Care should be taken to avoid clipping when enabling more than one path to the line output mixers. The LINEOUT1_VOL control can be used to provide -6dB attenuation when more than one full scale signal is applied.

When using the LINEOUT1 mixers in single-ended mode, a buffered VMID must be enabled. This is achieved by setting LINEOUT_VMID_BUF_ENA, as described in the “Analogue Outputs” section.

| REGISTER ADDRESS | BIT | LABEL | DEFAULT | DESCRIPTION |
|-------------------------------------|-----|----------------------|---------|--|
| R30 (1Eh) Line Outputs Volume | 6 | LINEOUT1N_MUTE | 1b | LINEOUT1N Line Output Mute 0 = Un-mute 1 = Mute |
| | 5 | LINEOUT1P_MUTE | 1b | LINEOUT1P Line Output Mute 0 = Un-mute 1 = Mute |
| | 4 | LINEOUT1_VOL | 0b | LINEOUT1 Line Output Volume 0 = 0dB 1 = -6dB Applies to both LINEOUT1N and LINEOUT1P |
| R52 (34h) Line Mixer1 | 6 | MIXOUTL_TO_LINEOUT1N | 0b | MIXOUTL to Single-Ended Line Output on LINEOUT1N 0 = Mute 1 = Un-mute (LINEOUT1_MODE = 1) |
| | 5 | MIXOUTR_TO_LINEOUT1N | 0b | MIXOUTR to Single-Ended Line Output on LINEOUT1N 0 = Mute 1 = Un-mute (LINEOUT1_MODE = 1) |
| | 4 | LINEOUT1_MODE | 0b | LINEOUT1 Mode Select 0 = Differential 1 = Single-Ended |
| | 2 | IN1R_TO_LINEOUT1P | 0b | IN1R Input PGA to Differential Line Output on LINEOUT1 0 = Mute 1 = Un-mute (LINEOUT1_MODE = 0) |
| | 1 | IN1L_TO_LINEOUT1P | 0b | IN1L Input PGA to Differential Line Output on LINEOUT1 0 = Mute 1 = Un-mute (LINEOUT1_MODE = 0) |
| | 0 | MIXOUTL_TO_LINEOUT1P | 0b | Differential Mode (LINEOUT1_MODE = 0): MIXOUTL to Differential Output on LINEOUT1 0 = Mute 1 = Un-mute Single Ended Mode (LINEOUT1_MODE = 1): MIXOUTL to Single-Ended Line Output on LINEOUT1P 0 = Mute 1 = Un-mute |

Table 53 LINEOUT1N and LINEOUT1P Control

LINEOUT2 single-ended mode is selected by setting `LINEOUT2_MODE = 1`. In single-ended mode, any of three possible signal paths may be enabled:

- MIXOUTR (right output mixer) to LINEOUT2P
- MIXOUTL (left output mixer) to LINEOUT2N
- MIXOUTR (right output mixer) to LINEOUT2N

LINEOUT2 differential mode is selected by setting `LINEOUT2_MODE = 0`. In differential mode, any of three possible signal paths may be enabled:

- MIXOUTR (right output mixer) to LINEOUT2N and LINEOUT2P
- IN1L (input PGA) to LINEOUT2P and LINEOUT2N
- IN1R (input PGA) to LINEOUT2N and LINEOUT2P

The LINEOUT2 output mixers are controlled as described in Table 54. Care should be taken to avoid clipping when enabling more than one path to the line output mixers. The `LINEOUT2_VOL` control can be used to provide -6dB attenuation when more than one full scale signal is applied.

When using the LINEOUT2 mixers in single-ended mode, a buffered VMID must be enabled. This is achieved by setting `LINEOUT_VMID_BUF_ENA`, as described in the “Analogue Outputs” section.

| REGISTER ADDRESS | BIT | LABEL | DEFAULT | DESCRIPTION |
|-------------------------------------|-----|----------------------|---------|--|
| R30 (1Eh) Line Outputs Volume | 2 | LINEOUT2N_MUTE | 1b | LINEOUT2N Line Output Mute 0 = Un-mute 1 = Mute |
| | 1 | LINEOUT2P_MUTE | 1b | LINEOUT2P Line Output Mute 0 = Un-mute 1 = Mute |
| | 0 | LINEOUT2_VOL | 0b | LINEOUT2 Line Output Volume 0 = 0dB 1 = -6dB Applies to both LINEOUT2N and LINEOUT2P |
| R53 (35h) Line Mixer2 | 6 | MIXOUTR_TO_LINEOUT2N | 0b | MIXOUTR to Single-Ended Line Output on LINEOUT2N 0 = Mute 1 = Un-mute (LINEOUT2_MODE = 1) |
| | 5 | MIXOUTL_TO_LINEOUT2N | 0b | MIXOUTL to Single-Ended Line Output on LINEOUT2N 0 = Mute 1 = Un-mute (LINEOUT2_MODE = 1) |
| | 4 | LINEOUT2_MODE | 0b | LINEOUT2 Mode Select 0 = Differential 1 = Single-Ended |
| | 2 | IN1L_TO_LINEOUT2P | 0b | IN1L Input PGA to Differential Line Output on LINEOUT2 0 = Mute 1 = Un-mute (LINEOUT2_MODE = 0) |
| | 1 | IN1R_TO_LINEOUT2P | 0b | IN1R Input PGA to Differential Line Output on LINEOUT2 0 = Mute 1 = Un-mute (LINEOUT2_MODE = 0) |
| | 0 | MIXOUTR_TO_LINEOUT2P | 0b | Differential Mode (LINEOUT2_MODE = 0): MIXOUTR to Differential Output on LINEOUT2 0 = Mute 1 = Un-mute Single-Ended Mode (LINEOUT2_MODE = 0): MIXOUTR to Single-Ended Line Output on LINEOUT2P 0 = Mute 1 = Un-mute |

Table 54 LINEOUT2N and LINEOUT2P Control

CHARGE PUMP

The WM8993 incorporates a dual-mode Charge Pump which generates the supply rails for the headphone output drivers, HPOUT1L and HPOUT1R.

The Charge Pump has a single supply input, CPVDD, and generates split rails CPVOUTP and CPVOUTN according to the selected mode of operation.

The Charge Pump connections are illustrated in Figure 23 (see “Electrical Characteristics” for external component values). An input decoupling capacitor may also be required at CPVDD, depending upon the system configuration.

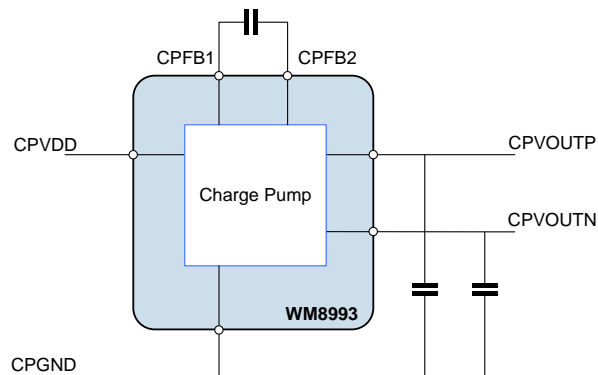


Figure 23 Charge Pump External Connections

The Charge Pump is enabled by setting the CP_ENA bit. When enabled, the charge pump adjusts the output voltages (CPVOUTP and CPVOUTN) as well as the switching frequency in order to optimise the power consumption according to the operating conditions. This can take two forms, which are selected using the CP_DYN_PWR register bit.

- Register control (CP_DYN_PWR = 0)
- Dynamic control (CP_DYN_PWR = 1)

Under Register control, the HPOUT1L_VOL and HPOUT1R_VOL register settings are used to control the charge pump mode of operation.

Under Dynamic control, the audio signal level in the DAC is used to control the charge pump mode of operation. This is the Wolfson ‘Class W’ mode, which allows the power consumption to be optimised in real time, but can only be used if the DAC is the only signal source. This mode should not be used if any of the bypass paths are used to feed analogue inputs into the output signal path.

Under the recommended usage conditions of the WM8993, the Charge Pump will be enabled by running the default headphone Start-Up sequence as described in the “Control Write Sequence” section. (Similarly, it will be disabled by running the Shut-Down sequence.) In these cases, the user does not need to write to the CP_ENA bit. The Charge Pump operating mode defaults to Register control; Dynamic control may be selected by setting the CP_DYN_PWR register bit, if appropriate.

Note that the charge pump clock is derived from internal clock CLK_SYS; either MCLK or the FLL output selectable using the SYSCLK_SRC bit. Under normal circumstances an external clock signal must be present for the charge pump to function. However, the FLL has a free-running mode that does not require an external clock but will generate an internal clock suitable for running the charge pump. The clock division from CLK_SYS is handled transparently by the WM8993 without user intervention, as long as CLKSYS and sample rates are set correctly. Refer to the “Clocking and Sample Rates” section for more detail on the FLL and clocking configuration.

The Charge Pump control fields are described in Table 55.

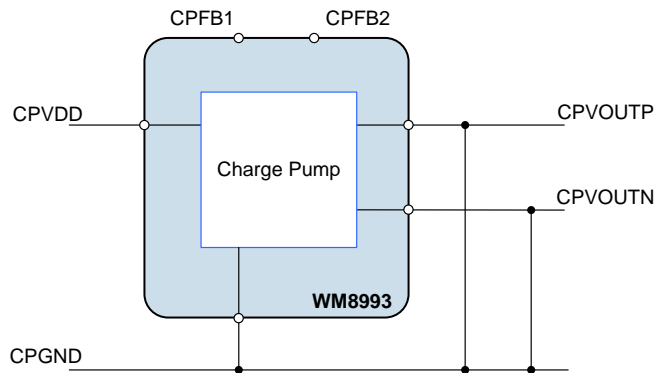
| REGISTER ADDRESS | BIT | LABEL | DEFAULT | DESCRIPTION |
|----------------------------|-----|------------|---------|---|
| R76 (4Ch) Charge Pump 1 | 15 | CP_ENA | 0 | Enable charge-pump digits 0 = disable 1 = enable Note: Default value of R76[14:0] (0x1F25h) must not be changed when enabling/disabling the Charge Pump |
| R81 (51h) Class W 0 | 0 | CP_DYN_PWR | 0 | Enable dynamic charge pump power control 0 = charge pump controlled by volume register settings (Class G) 1 = charge pump controlled by real-time audio level (Class W) |

Table 55 Charge Pump Control

If the headphone output drivers (HPOUT1L and HPOUT1R) are not used, then the Charge Pump and the associated external components are not required. The Charge Pump and Headphone drivers should not be enabled in this case (CP_ENA=0, HPOUT1L_ENA=0, HPOUT1R_ENA=0).

If the Charge Pump is not used, and the associated external components are omitted, then the CPCA and CPCB pins can be left floating; the CPVOUTP and CPVOUTN pins should be grounded as illustrated in Figure 24.

Note that, when the Charge Pump is disabled, it is still recommended that the CPVDD pin is kept within its recommended operating conditions (1.71V to 2.0V).


Figure 24 External Configuration when Charge Pump not used

DC SERVO

The WM8993 provides a DC servo circuit on the headphone outputs HPOUT1L and HPOUT1R in order to remove DC offset from these ground-referenced outputs. When enabled, the DC servo ensures that the DC level of these outputs remains within 1mV of ground. Removal of the DC offset is important because any deviation from GND at the output pin will cause current to flow through the load under quiescent conditions, resulting in increased power consumption. Additionally, the presence of DC offsets can result in audible pops and clicks at power up and power down.

The recommended usage of the DC Servo is initialised by running the default Start-Up sequence as described in the “Control Write Sequencer” section. The default Start-Up sequence executes a series of DC offset corrections, after which the measured offset correction is maintained on the headphone output channels. If a different usage is required, eg. if a periodic DC offset correction is required, then the default Start-Up sequence may be modified according to specific requirements. The relevant control fields are described in the following paragraphs and are defined in Table 56.

DC SERVO ENABLE AND START-UP

The DC Servo circuit is enabled on HPOUT1L and HPOUT1R by setting DCS_ENA_CHAN_0 and DCS_ENA_CHAN_1 respectively. When the DC Servo is enabled, the DC offset correction can be commanded in a number of different ways, including single-shot and periodically recurring events.

Writing a logic 1 to DCS_TRIG_STARTUP_*n* initiates a series of DC offset measurements and applies the necessary correction to the associated output; (*n* = 0 for Left channel, 1 for Right channel). On completion, the headphone output will be within 1mV of AGND. This is the DC Servo mode selected by the default Start-Up sequence. Completion of the DC offset correction triggered in this way is indicated by the DCS_STARTUP_COMPLETE field, as described in Table 56. Typically, this operation takes 86ms per channel.

For correct operation of the DC Servo Start-Up mode, it is important that there is no active audio signal present on the signal path while the mode is running. The DC Servo Start-Up mode should be scheduled at the correct position within the Headphone Output Enable sequence, as described in the “Output Signal Path” section. All other stages of the analogue signal path should be fully enabled prior to commanding the Start-Up mode; the DAC Digital Mute function should be used, where appropriate, to ensure there is no active audio signal present during the DC Servo measurements.

Writing a logic 1 to DCS_TRIG_DAC_WR_*n* causes the DC offset correction to be set to the value contained in the DCS_DAC_WR_VAL_*n* fields in Register R87. This mode is useful if the required offset correction has already been determined and stored; it is faster than the DCS_TRIG_STARTUP_*n* mode, but relies on the accuracy of the stored settings. Completion of the DC offset correction triggered in this way is indicated by the DCS_DAC_WR_COMPLETE field, as described in Table 56. Typically, this operation takes 2ms per channel.

For pop-free operation of the DC Servo DAC Write mode, it is important that the mode is scheduled at the correct position within the Headphone Output Enable sequence, as described in the “Output Signal Path” section.

When using either of the DC Servo options above, the status of the DC offset correction process is indicated by the DCS_CAL_COMPLETE field; this is the logical OR of the DCS_STARTUP_COMPLETE and DCS_DAC_WR_COMPLETE fields.

The DC Servo control fields associated with start-up operation are described in Table 56. It is important to note that, to minimise audible pops/clicks, the Start-Up and DAC Write modes of DC Servo operation should be commanded as part of a control sequence which includes muting and shorting of the headphone outputs; a suitable sequence is defined in the default Start-Up sequence.

| REGISTER ADDRESS | BIT | LABEL | DEFAULT | DESCRIPTION |
|-------------------------|------|---------------------------|-----------|--|
| R84 (54h) DC Servo 0 | 5 | DCS_TRIG_START UP_1 | 0 | Writing 1 to this bit selects Start-Up DC Servo mode for HPOUT1R. In readback, a value of 1 indicates that the DC Servo Start-Up correction is in progress. |
| | 4 | DCS_TRIG_START UP_0 | 0 | Writing 1 to this bit selects Start-Up DC Servo mode for HPOUT1L. In readback, a value of 1 indicates that the DC Servo Start-Up correction is in progress. |
| | 3 | DCS_TRIG_DAC_W R_1 | 0 | Writing 1 to this bit selects DAC Write DC Servo mode for HPOUT1R. In readback, a value of 1 indicates that the DC Servo DAC Write correction is in progress. |
| | 2 | DCS_TRIG_DAC_W R_0 | 0 | Writing 1 to this bit selects DAC Write DC Servo mode for HPOUT1L. In readback, a value of 1 indicates that the DC Servo DAC Write correction is in progress. |
| | 1 | DCS_ENA_CHAN_1 | 0 | DC Servo enable for HPOUT1R 0 = disabled 1 = enabled |
| | 0 | DCS_ENA_CHAN_0 | 0 | DC Servo enable for HPOUT1L 0 = disabled 1 = enabled |
| R87 (57h) DC Servo 3 | 15:8 | DCS_DAC_WR_VA L1 [7:0] | 0000 0000 | DC Offset value for HPOUT1Rin DAC Write DC Servo mode. Two's complement format. LSB is 0.25mV. Range is -32mV to +31.75mV |
| | 7:0 | DCS_DAC_WR_VA L0 [7:0] | 0000 0000 | DC Offset value for HPOUT1Lin DAC Write DC Servo mode. Two's complement format. LSB is 0.25mV. Range is -32mV to +31.75mV |

| REGISTER ADDRESS | BIT | LABEL | DEFAULT | DESCRIPTION |
|-------------------------------------|-----|--------------------------------|---------|---|
| R88 (58h) DC Servo Readback 0 | 9:8 | DCS_CAL_COMPL ETE [1:0] | 00 | DC Servo Complete status 0 = DAC Write or Start-Up DC Servo mode not completed. 1 = DAC Write or Start-Up DC Servo mode complete. Bit [1] = HPOUT1R Bit [0] = HPOUT1L |
| | 5:4 | DCS_DAC_WR_CO MPLETE [1:0] | 00 | DC Servo DAC Write status 0 = DAC Write DC Servo mode not completed. 1 = DAC Write DC Servo mode complete. Bit [1] = HPOUT1R Bit [0] = HPOUT1L |
| | 1:0 | DCS_STARTUP_C OMplete [1:0] | 00 | DC Servo Start-Up status 0 = Start-Up DC Servo mode not completed. 1 = Start-Up DC Servo mode complete. Bit [1] = HPOUT1R Bit [0] = HPOUT1L |

Table 56 DC Servo Enable and Start-Up Modes

DC SERVO ACTIVE MODES

The DC Servo modes described above are suitable for initialising the DC offset correction circuit on the Headphone outputs as part of a controlled start-up sequence which is executed before the signal path is fully enabled. Additional modes are available for use whilst the signal path is active; these modes may be of benefit following a large change in signal gain, which can lead to a change in DC offset level. Periodic updates may also be desirable to remove slow drifts in DC offset caused by changes in parameters such as device temperature.

The DC Servo circuit is enabled on HPOUT1L and HPOUT1R by setting DCS_ENA_CHAN_0 and DCS_ENA_CHAN_1 respectively, as described earlier in Table 56.

Writing a logic 1 to DCS_TRIG_SINGLE_n initiates a single DC offset measurement and adjustment to the associated output; ('n' = 0 for Left channel, 1 for Right channel). This will adjust the DC offset correction on the selected channel by no more than 1LSB (0.25mV).

Setting DCS_TIMER_PERIOD_01 to a non-zero value will cause a single DC offset measurement and adjustment to be scheduled on a periodic basis. Periodic rates ranging from every 0.52s to in excess of 2hours can be selected.

Writing a logic 1 to DCS_TRIG_SERIES_n initiates a series of DC offset measurements and applies the necessary correction to the associated output. The number of DC Servo operations performed is determined by DCS_SERIES_NO_01. A maximum of 128 operations may be selected, though a much lower value will be sufficient in most applications.

The DC Servo control fields associated with active modes (suitable for use on a signal path that is in active use) are described in Table 57.

| REGISTER ADDRESS | BIT | LABEL | DEFAULT | DESCRIPTION |
|-------------------------|------|---------------------------|----------|--|
| R84 (54h) DC Servo 0 | 13 | DCS_TRIG_SINGLE_1 | 0 | Writing 1 to this bit selects a single DC offset correction for HPOUT1R. In readback, a value of 1 indicates that the DC Servo single correction is in progress. |
| | 12 | DCS_TRIG_SINGLE_0 | 0 | Writing 1 to this bit selects a single DC offset correction for HPOUT1L. In readback, a value of 1 indicates that the DC Servo single correction is in progress. |
| | 9 | DCS_TRIG_SERIES_1 | 0 | Writing 1 to this bit selects a series of DC offset corrections for HPOUT1R. In readback, a value of 1 indicates that the DC Servo DAC Write correction is in progress. |
| | 8 | DCS_TRIG_SERIES_0 | 0 | Writing 1 to this bit selects a series of DC offset corrections for HPOUT1L. In readback, a value of 1 indicates that the DC Servo DAC Write correction is in progress. |
| R85 (55h) DC Servo 1 | 11:5 | DCS_SERIES_NO_01 [6:0] | 010 1010 | Number of DC Servo updates to perform in a series event. 0 = 1 updates 1 = 2 updates ... 127 = 128 updates |
| | 3:0 | DCS_TIMER_PERIOD_01 [3:0] | 1010 | Time between periodic updates. Time is calculated as $0.256s \times (2^{\text{PERIOD}})$ 0000 = Off 0001 = 0.52s 1010 = 266s (4min 26s) 1111 = 8519s (2hr 22s) |

Table 57 DC Servo Active Modes

DC SERVO READBACK

The current DC offset value for each Headphone output channel can be read from Registers R89 and R90, as described in Table 58. Note that these values may form the basis of settings that are subsequently used by the DC Servo in DAC Write mode.

| REGISTER ADDRESS | BIT | LABEL | DEFAULT | DESCRIPTION |
|----------------------------------|-----|------------------|-----------|--|
| R89 (59h) DC Servo Readback 1 | 7:0 | DCS_INTEG_CHAN_1 | 0000 0000 | Readback value for HPOUT1R. Two's complement format. LSB is 0.25mV. Range is -32mV to +31.75mV |
| R90 (5Ah) DC Servo Readback 2 | 7:0 | DCS_INTEG_CHAN_0 | 0000 0000 | Readback value for HPOUT1L. Two's complement format. LSB is 0.25mV. Range is -32mV to +31.75mV |

Table 58 DC Servo Readback

ANALOGUE OUTPUTS

The speaker, headphone, earpiece and line outputs are highly configurable and may be used in many different ways.

SPEAKER OUTPUT CONFIGURATIONS

The speaker outputs SPKOUTL and SPKOUTR can be driven by either of the speaker mixers, SPKMIXL or SPKMIXR, or by the low power, differential Direct Voice path from IN2LP/VRXN and IN2RP/VRXP. Fine volume control is available on the speaker mixer paths using the SPKLVOL and SPKRVOL PGAs. A boost function is available on both the speaker mixer paths and the Direct Voice path. For information on the speaker mixing options, refer to the “Output Signal Path” section.

The speaker outputs SPKOUTL and SPKOUTR operate in a BTL configuration in Class AB or Class D amplifier modes. The default mode is class D but class AB mode can be selected by setting the SPKOUT_CLASSAB_MODE register bit, as defined in Table 60.

The speaker outputs may be configured in two ways:

1. Stereo Mode – supports up to 1W into stereo 8Ω BTL loads
2. Mono Mode – supports up to 2W into a single 4Ω BTL load

Mono mode is selected by applying a logic high input to the SPKMONO pin (E3). For Stereo mode this pin should be connected to GND. Note that SPKMONO is referenced to DBVDD.

| SPEAKER CONFIGURATION | SPKMONO PIN (E3) |
|-----------------------|------------------|
| Stereo Mode | GND |
| Mono Mode | DBVDD |

Table 59 SPKMONO Pin Function

For mono operation, the P channels, SPKOUTLP and SPKOUTRP should be connected together on the PCB, and similarly with the N channels, SPKOUTLN and SPKOUTRN. Refer to External Components Diagram in the ‘Applications Information’ for more details. In this configuration both left and right speaker drivers should be enabled (SPKOUTL_ENA=1 and SPKOUTR_ENA=1), but path selection and volume controls are available on left channel only (SPKMIXL, SPKLVOL and SPKOUTLBOOST).

Note that for applications with a mono 8Ω speaker it is possible to improve THD performance at higher power levels by configuring the output in mono mode instead of running either the left or right channel in stereo mode.

The connections for stereo and mono speaker configurations are shown in Figure 25.

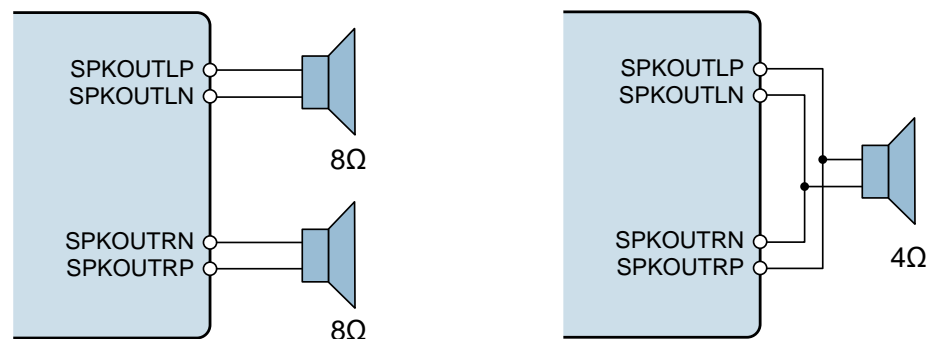
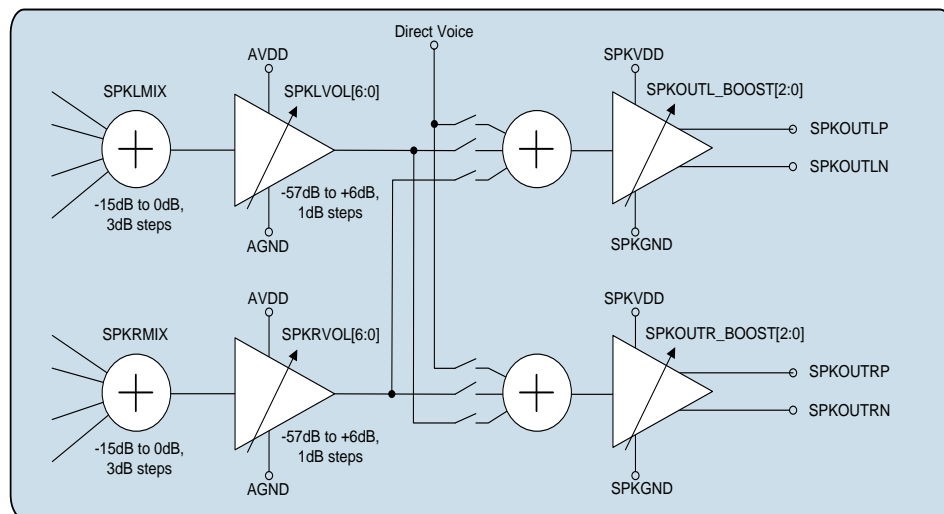


Figure 25 Mono and Stereo Speaker Output Configuration

Eight levels of AC signal boost are provided in order to deliver maximum output power for many commonly-used SPKVDD/AVDD1 combinations. These boost options are available in both Class AB and Class D modes. The AC boost levels from 0dB to +12dB are selected using register bits SPKOUTL_BOOST and SPKOUTR_BOOST. To prevent pop noise, SPKOUTL_BOOST and SPKOUTR_BOOST should not be modified while the speaker outputs are enabled. Figure 26 illustrates the speaker outputs and the mixing and gain/boost options available.

Ultra-low leakage and high PSRR allow the speaker supply SPKVDD to be directly connected to a lithium battery. Note that an appropriate SPKVDD supply voltage must be provided to prevent waveform clipping when speaker boost is used.

DC gain is applied automatically in both class AB and class D modes with a shift from VMID to SPKVDD/2. This provides optimum signal swing for maximum output power. In class AB mode, an ultra-high PSRR mode is available, in which the DC reference for the speaker driver is fixed at VMID. This mode is selected by enabling the SPKAB_REF_SEL bit (see Table 60). In this mode, the output power is limited but the driver will still be capable of driving more than 500mW in 8Ω while maintaining excellent suppression of noise on SPKVDD (for example, TDMA noise in a GSM phone application).



| SPKOUTL_BOOST SPKOUTR_BOOST |
|--------------------------------|
| 000 = 1.00x (+0dB) |
| 000 = 1.19x (+1.5dB) |
| 000 = 1.41x (+3.0dB) |
| 000 = 1.68x (+4.5dB) |
| 000 = 2.00x (+6.0dB) |
| 000 = 2.37x (+7.5dB) |
| 000 = 2.81x (+9.0dB) |
| 000 = 3.98x (+12.0dB) |

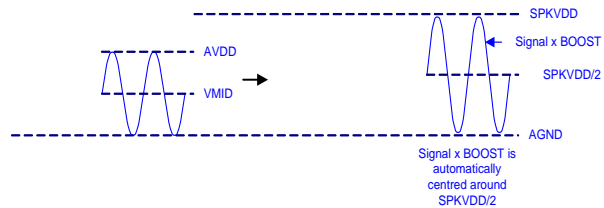


Figure 26 Speaker Output Configuration and AC Boost Operation

| REGISTER ADDRESS | BIT | LABEL | DEFAULT | DESCRIPTION |
|-------------------------------------|-----|------------------------|----------------|---|
| R35 (23h) SPKMIXR Attenuation | 8 | SPKOUT_CLASSAB_MODE | 0b | Speaker Class AB Mode Enable 0 = Class D mode 1 = Class AB mode |
| R37 (25h) SPKOUT Boost | 5:3 | SPKOUTL_BOOST [2:0] | 000b (1.0x) | Left Speaker Gain Boost 000 = 1.00x boost (+0dB) 001 = 1.19x boost (+1.5dB) 010 = 1.41x boost (+3.0dB) 011 = 1.68x boost (+4.5dB) 100 = 2.00x boost (+6.0dB) 101 = 2.37x boost (+7.5dB) 110 = 2.81x boost (+9.0dB) 111 = 3.98x boost (+12.0dB) |
| | 2:0 | SPKOUTR_BOOST [2:0] | 000b (1.0x) | Right Speaker Gain Boost 000 = 1.00x boost (+0dB) 001 = 1.19x boost (+1.5dB) 010 = 1.41x boost (+3.0dB) 011 = 1.68x boost (+4.5dB) 100 = 2.00x boost (+6.0dB) 101 = 2.37x boost (+7.5dB) 110 = 2.81x boost (+9.0dB) 111 = 3.98x boost (+12.0dB) |
| R54 (36h) Speaker Mixer | 8 | SPKAB_REF_SEL | 0b | Selects Reference for Speaker in Class AB mode 0 = SPKVDD/2 1 = VMID |

Table 60 Speaker Mode and Boost Control

Clocking of the Class D output driver is derived from CLK_SYS. The clocking frequency division is configured automatically, according to the CLK_SYS_RATE and SAMPLE_RATE registers. (See “Clocking and Sample Rates” for further details of the system clocks and control registers.)

The Class D switching clock is enabled whenever SPKOUTL_ENA or SPKOUTR_ENA is set, provided also that SPKOUT_CLASSAB_MODE = 0. The frequency is as described in Table 61.

Note that the CLK_SYS must be present and enabled when using the speaker outputs in Class D mode.

| SAMPLE RATE (kHz) | SYSTEM CLOCK RATE (CLK_SYS / fs ratio) | | | | | | | | | |
|-------------------|--|-------|-------|-------|-------|-------|-------|-------|------|------|
| | 64 | 128 | 192 | 256 | 384 | 512 | 768 | 1024 | 1408 | 1536 |
| 8 | 256 | 256 | 256 | 341.3 | 256 | 341.3 | 256 | 341.3 | 352 | 256 |
| 11.025 | 352.8 | 352.8 | 352.8 | 352.8 | 352.8 | 352.8 | 352.8 | 352.8 | | |
| 12 | 384 | 384 | 384 | 384 | 384 | 384 | 384 | 384 | | |
| 16 | 256 | 341.3 | 384 | 341.3 | 384 | 341.3 | 384 | | | |
| 22.05 | 352.8 | 352.8 | 352.8 | 352.8 | 352.8 | 352.8 | | | | |
| 24 | 341.3 | 384 | 384 | 384 | 384 | 384 | | | | |
| 32 | 341.3 | 341.3 | 384 | 341.3 | 384 | | | | | |
| 44.1 | 352.8 | 352.8 | 352.8 | 352.8 | | | | | | |
| 48 | 384 | 384 | 384 | 384 | | | | | | |

Table 61 Class D Switching Frequency (kHz)

HEADPHONE OUTPUT CONFIGURATIONS

The headphone outputs HPOUT1L and HPOUT1R are driven by the headphone output PGAs HPOUT1LVOL and HPOUT1RVOL. Each PGA has its own dedicated volume control, as described in the “Output Signal Path” section. The input to these PGAs can be either the output mixers MIXOUTL and MIXOUTR or the direct DAC outputs DACL and DACR.

The headphone output driver is capable of driving up to 25mW into a 16Ω or 32Ω load such as a stereo headset or headphones. The outputs are ground-referenced, eliminating any requirement for AC coupling capacitors. This is achieved by having separate positive and negative supply rails powered by an on-chip charge pump. A DC Servo circuit removes any DC offset from the headphone outputs, suppressing ‘pop’ noise and minimising power consumption. The Charge Pump and DC Servo are described separately (see “Charge Pump” and “DC Servo” respectively).

It is recommended to connect a zobel network to the headphone output pins HPOUT1L and HPOUT1R for best audio performance in all applications. The components of the zobel network have the effect of dampening high frequency oscillations or instabilities that can arise outside the audio band under certain conditions. Possible sources of these instabilities include the inductive load of a headphone coil or an active load in the form of an external line amplifier. The capacitance of lengthy cables or PCB tracks can also lead to amplifier instability. The zobel network should comprise of a 20Ω resistor and 100nF capacitor in series with each other, as illustrated in Figure 27.

If any ground-referenced headphone output is not used, then the zobel network components can be omitted from the corresponding output pin, and the pin can be left floating. The respective headphone driver(s) should not be enabled in this case.

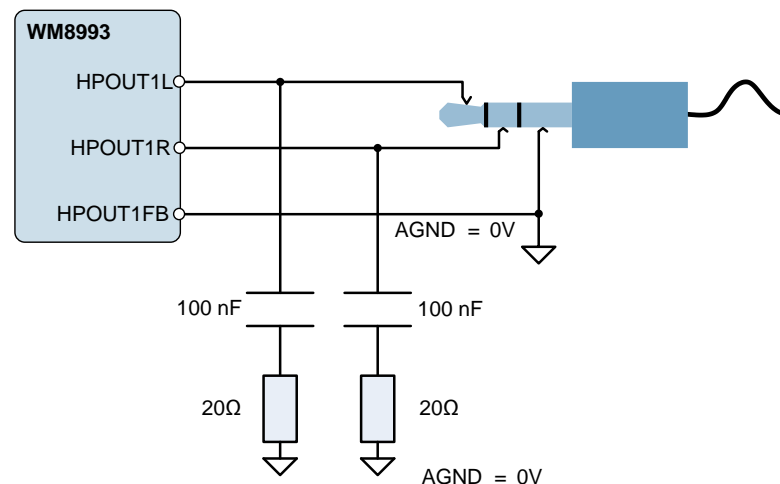


Figure 27 Zobel Network Components for HPOUT1L and HPOUT1R

The headphone output incorporates a common mode, or ground loop, feedback path which provides rejection of system-related ground noise. The return path is via HPOUT1FB. This pin must be connected to ground for normal operation of the headphone output. No register configuration is required.

Note that the HPOUT1FB pin should be connected to GND close to the headphone jack, as illustrated in Figure 27.

EARPIECE DRIVER OUTPUT CONFIGURATIONS

The earpiece driver outputs HPOUT2P and HPOUT2N are driven by the HPOUT2MIX output mixer, which can take inputs from the mixer output PGAs MIXOUTLVOL and MIXOUTRVOL, or from the low power, differential Direct Voice path IN2LP/VRXN and IN2RP/VRXP. Fine volume control is available on the output mixer paths using MIXOUTLVOL and MIXOUTRVOL. A selectable -6dB attenuation is available on the HPOUT2MIX output, as described in Table 52 (refer to the “Output Signal Path” section).

The earpiece outputs are designed to operate in a BTL configuration, driving 50mW into a typical 16Ω ear speaker.

For suppression of pop noise there are two separate enables for the earpiece driver; HPOUT2_ENA enables the output stage and HPOUT2_IN_ENA enables the mixer and input stage. HPOUT2_IN_ENA should be enabled a minimum of 50μs before HPOUT2_ENA – see “Control Write Sequencer” section for an example power sequence.

LINE OUTPUT CONFIGURATIONS

The four line outputs LINEOUT1P, LINEOUT1N, LINEOUT2P and LINEOUT2N provide a highly flexible combination of differential and single-ended configurations, each driven by a dedicated output mixer. There is a selectable -6dB gain option in each mixer to avoid clipping when mixing more than one signal into a line output. Additional volume control is available at other locations within each of the supported signal paths. For more information about the line output mixing options, refer to the “Output Signal Path” section.

Typical applications for the line outputs (single-ended or differential) are:

- Handset or headset microphone output to external voice CODEC
- Stereo line output
- Output to external speaker driver(s) to support additional loudspeakers (e.g. stereo 2W with external driver plus on-chip mono 2W output)

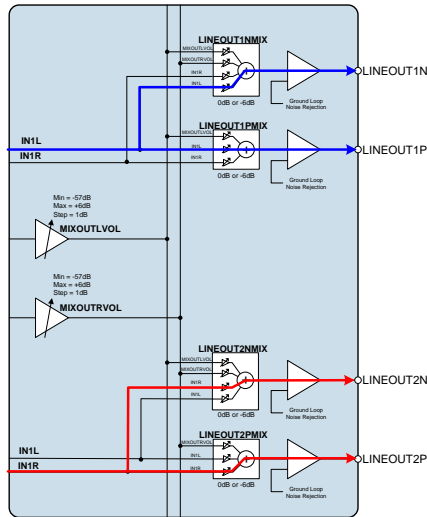
When single-ended mode is selected for either LINEOUT1 or LINEOUT2, a buffered VMID must be enabled as a reference for the outputs. This is enabled by setting the LINEOUT_VMID_BUF_ENA bit as defined in Table 62.

| REGISTER ADDRESS | BIT | LABEL | DEFAULT | DESCRIPTION |
|-----------------------|-----|----------------------|---------|---|
| R56 (38h) AntiPOP1 | 7 | LINEOUT_VMID_BUF_ENA | 0b | Enables VMID reference for line outputs in single-ended mode 0 = Disabled 1 = Enabled |

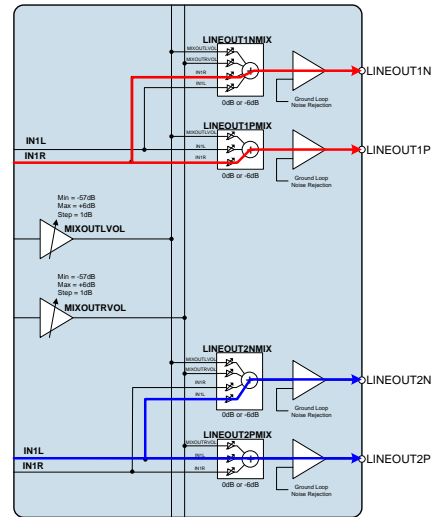
Table 62 LINEOUT VMID Buffer for Single-Ended Operation

Some example line output configurations are listed and illustrated below.

- Differential line output from Mic/Line input on IN1L PGA
- Differential line output from Mic/Line input on IN1R PGA
- Stereo differential line output from output mixers MIXOUTL and MIXOUTR
- Stereo single-ended line output from output mixer to either LINEOUT1 or LINEOUT2
- Mono single-ended line output from output mixer



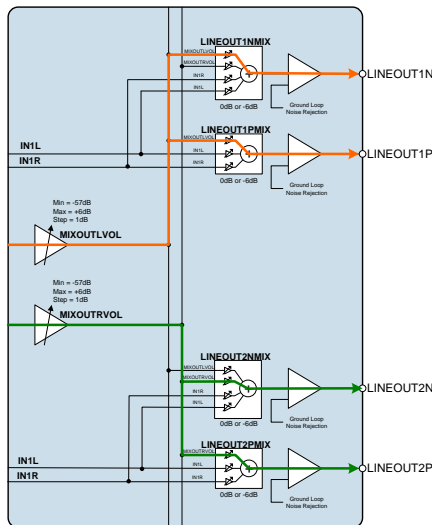
LINEOUT1N_MUTE=0, LINEOUT1P_MUTE=0
 LINEOUT2N_MUTE=0, LINEOUT2P_MUTE=0
 LINEOUT1_MODE=0
 LINEOUT2_MODE=0
 IN1L_TO_LINEOUT1P=1
 IN1R_TO_LINEOUT2P=1



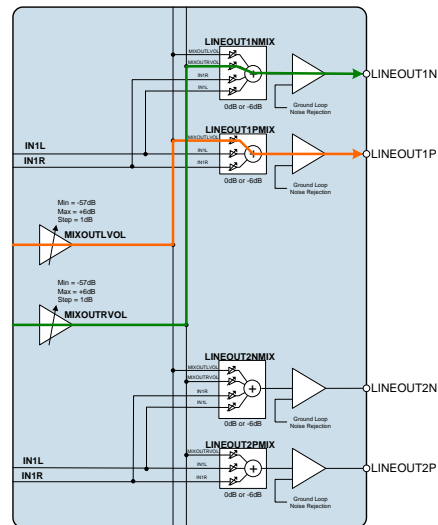
LINEOUT1N_MUTE=0, LINEOUT1P_MUTE=0
 LINEOUT2N_MUTE=0, LINEOUT2P_MUTE=0
 LINEOUT1_MODE=0
 LINEOUT2_MODE=0
 IN1R_TO_LINEOUT1P=1
 IN1L_TO_LINEOUT2P=1

Figure 28 Differential Line Out from input PGA IN1L (to LINEOUT1) and IN1R (to LINEOUT2)

Figure 29 Differential Line Out from input PGA IN1R (to LINEOUT1) and IN1L (to LINEOUT2)



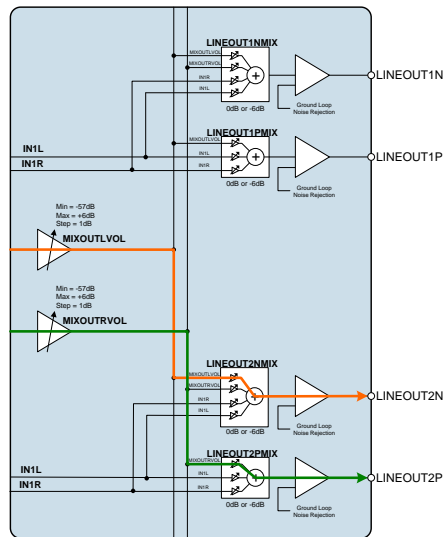
LINEOUT1N_MUTE=0, LINEOUT1P_MUTE=0
 LINEOUT2N_MUTE=0, LINEOUT2P_MUTE=0
 LINEOUT1_MODE=0
 LINEOUT2_MODE=0
 MIXOUTL_TO_LINEOUT1P=1
 MIXOUTR_TO_LINEOUT2P=1



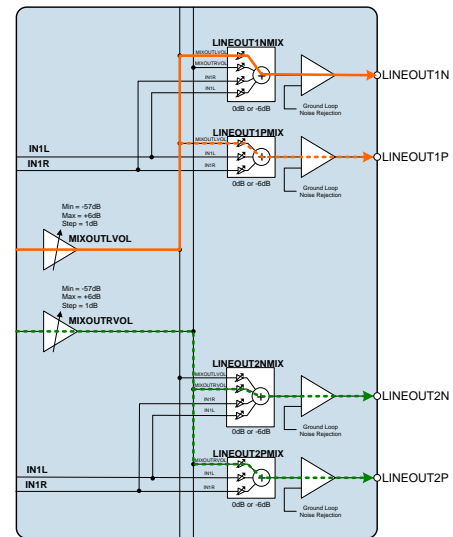
LINEOUT1N_MUTE=0, LINEOUT1P_MUTE=0
 LINEOUT2N_MUTE=0, LINEOUT2P_MUTE=0
 LINEOUT1_MODE=1
 MIXOUTL_TO_LINEOUT1P=1
 MIXOUTR_TO_LINEOUT1N=1
 LINEOUT_VMID_BUF_ENA=1

Figure 30 Stereo Differential Line Out from MIXOUTL and MIXOUTR

Figure 31 Stereo Single-Ended Line Out from MIXOUTL and MIXOUTR to LINEOUT1



LINEOUT1N_MUTE=0, LINEOUT1P_MUTE=0
 LINEOUT2N_MUTE=0, LINEOUT2P_MUTE=0
 LINEOUT1_MODE=1
 MIXOUTL_TO_LINEOUT2N=1
 MIXOUTR_TO_LINEOUT2P=1
 LINEOUT_VMID_BUF_ENA=1



LINEOUT1N_MUTE=0, LINEOUT1P_MUTE=0
 LINEOUT2N_MUTE=0, LINEOUT2P_MUTE=0
 LINEOUT1_MODE=1
 LINEOUT2_MODE=1
 MIXOUTL_TO_LINEOUT1N=1 and/or
 MIXOUTL_TO_LINEOUT1P=1
 MIXOUTR_TO_LINEOUT2N=1 and/or
 MIXOUTR_TO_LINEOUT2P=1
 LINEOUT_VMID_BUF_ENA=1

Figure 32 Stereo Single-Ended Line Out from

Figure 33 Mono Line Out to LINEOUT1N, LINEOUT1P, LINEOUT2N, LINEOUT2P

The line outputs incorporate a common mode, or ground loop, feedback path which provides rejection of system-related ground noise. The return path, via LINEOUTFB, is enabled separately for LINEOUT1 and LINEOUT2 using the LINEOUT1_FB and LINEOUT2_FB bits as defined in Table 63.

Ground loop feedback is a benefit to single-ended line outputs only; it is not applicable to differential outputs, which already inherently offer common mode noise rejection.

| REGISTER ADDRESS | BIT | LABEL | DEFAULT | DESCRIPTION |
|---------------------------------|-----|-------------|---------|--|
| R55 (37h) Additional Control | 7 | LINEOUT1_FB | 0b | Enable ground loop noise feedback on LINEOUT1 0 = Disabled 1 = Enabled |
| | 6 | LINEOUT2_FB | 0b | Enable ground loop noise feedback on LINEOUT2 0 = Disabled 1 = Enabled |

Table 63 Line Output Ground Loop Feedback Enable

GENERAL PURPOSE INPUT/OUTPUT

The WM8993 provides a number of GPIO functions to enable interfacing and detection of external hardware and to provide logic outputs to other devices. The input functions can be polled directly or can be used to generate an Interrupt (IRQ) event. The GPIO and Interrupt circuits support the following functions:

- Button detect (digital input)
- Accessory detection (MICBIAS current detection)
- Clock output (CLK_SYS divided by OPCLK_DIV)
- FLL Lock status output
- Temperature sensor output
- Control Write Sequencer status
- Logic '1' and logic '0' output
- Interrupt event (IRQ) output

GPIO1 CONTROL

The function of the GPIO1 pin can be selected using the GPIO1_SEL field. The available functions are described individually in the subsequent sections. Internal pull-up and pull-down resistors can be enabled for interfacing with external signal sources or push-buttons.

GPIO1 may be configured as an input. In this configuration, the GPIO1 is an input to the Interrupt function, with selectable de-bounce and polarity control. The associated interrupt bit is latched once set and can be polled at any time or used to generate Interrupt events. See "Interrupts" for more details of the Interrupt event handling.

The interrupt bit is latched once set; it is reset by writing a logic '1' to the GPIO1_EINT register bit. De-bouncing is provided in order to avoid false event triggers. Note that TOCLK must be enabled when this input de-bouncing is required.

| REGISTER ADDRESS | BIT | LABEL | DEFAULT | DESCRIPTION |
|-----------------------------|-----|------------|---------|---|
| R18 (12h) GPIO CTRL 1 | 0 | GPIO1_EINT | 0 | GPIO1 interrupt 0 = interrupt not set 1 = interrupt is set Cleared when a '1' is written |
| R19 (13h) GPIO 1 | 5 | GPIO1_PU | 0 | GPIO1 pull-up resistor enable 0 = pull-up disabled 1 = pull-up enabled |
| | 4 | GPIO1_PD | 1 | GPIO1 pull-down resistor enable 0 = pull-down disabled 1 = pull-down enabled |

| REGISTER ADDRESS | BIT | LABEL | DEFAULT | DESCRIPTION |
|---------------------------|-----|-----------------|---------|---|
| | 3:0 | GPIO1_SEL [3:0] | 0000 | GPIO1 function select 0000 = GPIO input 0001 = OPCLK 0010 = Logic 0 0011 = Logic 1 0100 = FLL_LOCK 0101 = TEMPOK 0110 = Reserved 0111 = IRQ 1000 = MICBIAS1 current detect 1001 = MICBIAS1 short circuit detect 1010 = MICBIAS2 current detect 1011 = MICBIAS short circuit detect 11XX = Reserved |
| R20 (14h) IRQ_DEBOUNCE | 0 | GPIO1_DB | 0 | GPIO1 input de-bounce 0 = disabled 1 = enabled |
| R22 (16h) GPIOCTRL2 | 5 | IM_GPIO1_EINT | 0 | GPIO1 interrupt mask 0 = do not mask interrupt 1 = mask interrupt |
| R23 (17h) GPIO_POL | 0 | GPIO1_POL | 0 | GPIO1 interrupt polarity 0 = active high 1 = active low |

Table 64 GPIO1 Configuration and Interrupt Control

BUTTON DETECT

The analogue input pins IN2LN and IN2RN support alternate functions as general purpose digital inputs GPI7 and GPI8 respectively. These digital signals are inputs to the Interrupt function, with selectable de-bounce and polarity control. The associated interrupt bits are latched once set and can be polled at any time or used as inputs to the IRQ output. See “Interrupts” for more details of the Interrupt event handling.

Note that button detect functionality can also be implemented on the GPIO1 pin, as described earlier.

The interrupt bits are latched once set; they are reset by writing a logic ‘1’ to the _EINT register bits in Register R18 (12h). De-bouncing is provided in order to avoid false event triggers. Note that TOCLK must be enabled when this input de-bouncing is required.

| REGISTER ADDRESS | BIT | LABEL | DEFAULT | DESCRIPTION |
|---------------------------|-----|-----------|---------|--|
| R18 (12h) GPIO CTRL 1 | 7 | GPI8_EINT | 0 | GPI8 interrupt 0 = interrupt not set 1 = interrupt is set Cleared when a ‘1’ is written |
| | 6 | GPI7_EINT | 0 | GPI7 interrupt 0 = interrupt not set 1 = interrupt is set Cleared when a ‘1’ is written |
| R20 (14h) IRQ_DEBOUNCE | 7 | GPI8_DB | 0 | GPI8 input de-bounce 0 = disabled 1 = enabled |
| | 3 | GPI7_DB | 0 | GPI7 input de-bounce 0 = disabled 1 = enabled |

| REGISTER ADDRESS | BIT | LABEL | DEFAULT | DESCRIPTION |
|------------------------|-----|------------------|---------|--|
| R22 (16h) GPIOCTRL2 | 6 | IM_GPI8_EI NT | 0 | GPI8 interrupt mask 0 = do not mask interrupt 1 = mask interrupt |
| | 4 | GPI8_ENA | 0 | GPI8 input enable 0 = disabled 1 = enabled |
| | 2 | IM_GPI7_EI NT | 0 | GPI7 interrupt mask 0 = do not mask interrupt 1 = mask interrupt |
| | 0 | GPI7_ENA | 0 | GPI7 input enable 0 = disabled 1 = enabled |
| R23 (17h) GPIO_POL | 7 | GPI8_POL | 0 | GPI8 interrupt polarity 0 = active high 1 = active low |
| | 6 | GPI7_POL | 0 | GPI7 interrupt polarity 0 = active high 1 = active low |

Table 65 Button Detect Interrupt Control

ACCESSORY DETECTION

Current detection is provided on each of the microphone bias sources MICBIAS1 and MICBIAS2. These can be configured to detect when an external accessory (such as a microphone) has been connected. The output voltage of each of the microphone bias sources is selectable. Two current detection threshold levels can be set; these thresholds are applicable to both microphone bias sources.

The logic signals from the current detect circuits may be output directly on the GPIO1 pin, and may also be used to generate Interrupt events. See "GPIO1 Control" for details of outputting the accessory detection flags on the GPIO1 pin.

The accessory detection circuits are inputs to the Interrupt function, with selectable de-bounce and polarity control. The associated interrupt bits are latched once set and can be polled at any time or used as inputs to the IRQ output. See "Interrupts" for more details of the Interrupt event handling.

The interrupt bits are latched once set; they are reset by writing a logic '1' to the _EINT register bits in Register R18 (12h). De-bouncing is provided in order to avoid false event triggers. Note that TOCLK must be enabled when this input de-bouncing is required.

| REGISTER ADDRESS | BIT | LABEL | DEFAULT | DESCRIPTION |
|---------------------------------------|-----|-------------------|---------|---|
| R1 (1h) Power Management (1) | 5 | MICB2_ENA | 0 | Microphone Bias 2 Enable 0 = OFF (high impedance output) 1 = ON |
| | 4 | MICB1_ENA | 0 | Microphone Bias 2 Enable 0 = OFF (high impedance output) 1 = ON |
| R58 (3Ah) MICBIAS | 7:6 | JD_SCTHR [1:0] | 00 | Jack Detect (MICBIAS) Short Circuit threshold 00 = 300uA 01 = 600uA 10 = 1200uA 11 = 2400uA These values are for AVDD1=3.0V and scale proportionally with AVDD1. |

| REGISTER ADDRESS | BIT | LABEL | DEFAULT | DESCRIPTION |
|---------------------------|-----|----------------|---------|---|
| | 5:4 | JD_THR [1:0] | 00 | Jack Detect (MICBIAS) Current Detect threshold 00 = 150uA 01 = 300uA 10 = 600uA 11 = 1200uA These values are for AVDD1=3.0V and scale proportionally with AVDD1. |
| | 2 | JD_ENA | 0 | Jack Detect (MICBIAS) function enable 0 = disabled 1 = enabled |
| | 1 | MICB2_LVL | 0 | Microphone Bias 2 Voltage Control 0 = 0.9 * AVDD1 1 = 0.65 * AVDD1 |
| | 0 | MICB1_LVL | 0 | Microphone Bias 1 Voltage Control 0 = 0.9 * AVDD1 1 = 0.65 * AVDD1 |
| R18 (12h) GPIO CTRL 1 | 15 | JD2_SC_EINT | 0 | MICBIAS2 Short Circuit interrupt 0 = interrupt not set 1 = interrupt is set Cleared when a '1' is written |
| | 14 | JD2_EINT | 0 | MICBIAS2 Current Detect interrupt 0 = interrupt not set 1 = interrupt is set Cleared when a '1' is written |
| | 10 | JD1_SC_EINT | 0 | MICBIAS1 Short Circuit interrupt 0 = interrupt not set 1 = interrupt is set Cleared when a '1' is written |
| | 9 | JD1_EINT | 0 | MICBIAS1 Current Detect interrupt 0 = interrupt not set 1 = interrupt is set Cleared when a '1' is written |
| R20 (14h) IRQ_DEBOUNCE | 15 | JD2_SC_DB | 0 | MICBIAS2 Short Circuit de-bounce 0 = disabled 1 = enabled |
| | 14 | JD2_DB | 0 | MICBIAS2 Current Detect de-bounce 0 = disabled 1 = enabled |
| | 10 | JD1_SC_DB | 0 | MICBIAS1 Short Circuit de-bounce 0 = disabled 1 = enabled |
| | 9 | JD1_DB | 0 | MICBIAS1 Current Detect de-bounce 0 = disabled 1 = enabled |
| R22 (16h) GPIOCTRL2 | 13 | IM_JD2_EINT | 0 | MICBIAS2 Current Detect interrupt mask 0 = do not mask interrupt 1 = mask interrupt |
| | 12 | IM_JD2_SC_EINT | 0 | MICBIAS2 Short Circuit interrupt mask 0 = do not mask interrupt 1 = mask interrupt |

| REGISTER ADDRESS | BIT | LABEL | DEFAULT | DESCRIPTION |
|-----------------------|-----|----------------|---------|---|
| | 10 | IM_JD1_SC_EINT | 0 | MICBIAS1 Short Circuit interrupt mask 0 = do not mask interrupt 1 = mask interrupt |
| | 9 | IM_JD1_EINT | 0 | MICBIAS1 Current Detect interrupt mask 0 = do not mask interrupt 1 = mask interrupt |
| R23 (17h) GPIO_POL | 15 | JD2_SC_POL | 0 | MICBIAS2 Short Circuit interrupt polarity 0 = active high 1 = active low |
| | 14 | JD2_POL | 0 | MICBIAS2 Current Detect interrupt polarity 0 = active high 1 = active low |
| | 10 | JD1_SC_POL | 0 | MICBIAS1 Short Circuit interrupt polarity 0 = active high 1 = active low |
| | 9 | JD1_POL | 0 | MICBIAS1 Current Detect interrupt polarity 0 = active high 1 = active low |

Table 66 MICBIAS Enable and Interrupt Control

The MICBIAS current detect function is enabled by setting the JD_ENA register bit. When this function is enabled, two current thresholds can be defined, using the JD_THR and JD_SC_THR registers. When a change in MICBIAS current which crosses either threshold is detected, then an interrupt event can be generated. In a typical application, accessory insertion would be detected when the MICBIAS current exceeds JD_THR, and microphone hookswitch operation would be detected when the MICBIAS current exceeds JD_SCTHR.

The current detect threshold functions are both inputs to the Interrupt control circuit and can be used to trigger an Interrupt event when either threshold is crossed. Both events can also be indicated as an output on a GPIO pin - see "GPIO1 Control".

When GPIO1_SEL = 1000, 1001, 1010 or 1011, the selected Jack Detect status indication is output on the GPIO1 pin. A logic 1 indicates that the associated Jack Detect is asserted. Note that the polarity is not programmable for GPIO output; the GPIO1_POL field and the polarity select bits in Table 66 affect the Interrupt behaviour only.

In a typical application, microphone insertion would be detected when the MICBIAS current exceeds the Current Detect threshold set by JD_THR.

When the JDn_POL interrupt polarity bit is set to 0, then microphone insertion detection will cause the JDn_EINT interrupt status register to be set. ('n' = 1 for MICBIAS1, 2 for MICBIAS2.)

For detection of microphone removal, the JDn_POL bit should be set to 1. When the JDn_POL interrupt polarity bit is set to 1, then microphone removal detection will cause the JDn_EINT interrupt status register to be set.

Microphone hook switch operation is detected when the MICBIAS current exceeds the Short Circuit Detect threshold set by JD_SCTHR.

When the JDn_SC_POL interrupt polarity bit is set to 0, then hook switch operation will cause the JDn_SC_EINT interrupt status register to be set.

For detection of microphone removal, the JDn_SC_POL bit should be set to 1. When the JDn_SC_POL interrupt polarity bit is set to 1, then hook switch release will cause the JDn_SC_EINT interrupt status register to be set.

CLOCK OUTPUT

A clock output (OPCLK) derived from CLK_SYS may be output on the GPIO1 pin. This clock is enabled by register bit OPCLK_ENA, and its frequency is controlled by OPCLK_DIV.

See “Clocking and Sample Rates” for more details of the System Clock, CLK_SYS. See “GPIO1 Control” for details of GPIO1 output of OPCLK.

| REGISTER ADDRESS | BIT | LABEL | DEFAULT | DESCRIPTION |
|----------------------------------|------|-----------|---------|--|
| R2 (02h) Power Management (2) | 11 | OPCLK_ENA | 0b | GPIO Clock Output Enable 0 = disabled 1 = enabled |
| R6 (06h) Clocking 1 | 12:9 | OPCLK_DIV | 0000 | GPIO Output Clock Divider 0000 = CLK_SYS 0001 = CLK_SYS / 2 0010 = CLK_SYS / 3 0011 = CLK_SYS / 4 0100 = CLK_SYS / 5.5 0101 = CLK_SYS / 6 0110 = CLK_SYS / 8 0111 = CLK_SYS / 12 1000 = CLK_SYS / 16 1001 to 1111 = Reserved |

Table 67 OPCLK Control

FLL LOCK STATUS OUTPUT

The WM8993 maintains a flag indicating the lock status of the FLL, which may be used to control other events if required. The FLL Lock status may be output directly on the GPIO1 pin, and may also be used to generate Interrupt events. See “GPIO1 Control” for details of outputting the FLL Lock flag on the GPIO1 pin. See “Clocking and Sample Rates” for more details of the FLL.

The FLL Lock signal is an input to the Interrupt function, with selectable de-bounce and polarity control. The associated interrupt bit is latched once set and can be polled at any time or used to trigger the IRQ output. See “Interrupts” for more details of the Interrupt event handling.

The interrupt bit is latched once set; it is reset by writing a logic ‘1’ to the FLL_LOCK_EINT register bit. De-bouncing is provided in order to avoid false event triggers. Note that TOCLK must be enabled when this input de-bouncing is required.

| REGISTER ADDRESS | BIT | LABEL | DEFAULT | DESCRIPTION |
|---------------------------|-----|------------------|---------|--|
| R18 (12h) GPIO CTRL 1 | 8 | FLL_LOCK_EINT | 0 | FLL Lock interrupt 0 = interrupt not set 1 = interrupt is set Cleared when a ‘1’ is written |
| R20 (14h) IRQ_DEBOUNCE | 8 | FLL_LOCK_DB | 0 | FLL Lock de-bounce 0 = disabled 1 = enabled |
| R22 (16h) GPIOCTRL2 | 8 | IM_FLL_LOCK_EINT | 0 | FLL Lock interrupt mask 0 = do not mask interrupt 1 = mask interrupt |
| R23 (17h) GPIO_POL | 8 | FLL_LOCK_POL | 0 | FLL Lock interrupt polarity 0 = active high (interrupt is triggered when FLL Lock is reached) 1 = active low (interrupt is triggered when FLL is not locked) |

Table 68 FLL Lock Interrupt Control

The FLL Lock signal is asserted when FLL Lock has been reached. When configured to generate an interrupt event, the default value of FLL_LOCK_POL will cause an interrupt event when FLL Lock has been reached.

When GPIO1_SEL = 0100, the FLL Lock signal is output on the GPIO1 pin. A logic 1 indicates that FLL Lock has been reached. Note that the polarity is not programmable for GPIO output; the GPIO1_POL and FLL_LOCK_POL fields affect the Interrupt behaviour only.

TEMPERATURE SENSOR OUTPUT

The WM8993 incorporates a temperature sensor which detects when the device temperature is within normal limits or if the device is approaching a hazardous temperature condition. The temperature status may be output directly on the GPIO1 pin, and may also be used to generate Interrupt events. See “GPIO1 Control” for details of outputting the Temp OK flag on the GPIO1 pin.

The temperature sensor signal is an input to the Interrupt function, with selectable de-bounce and polarity control. The associated interrupt bit is latched once set and can be polled at any time or used to trigger the IRQ output. See “Interrupts” for more details of the Interrupt event handling.

The interrupt bit is latched once set; it is reset by writing a logic ‘1’ to the TEMPOK_EINT register bit. De-bouncing is provided in order to avoid false event triggers. Note that TOCLK must be enabled when this input de-bouncing is required.

Note that the temperature sensor can be configured to automatically disable the audio outputs of the WM8993 (see “Thermal Shutdown”). In some applications, it may be preferable to manage the temperature sensor event through GPIO or Interrupt functions, allowing a host processor to implement a controlled system response to an over-temperature condition.

The temperature sensor must be enabled by setting the TSHUT_ENA register bit. When the TSHUT_OPDIS is also set, then a device over-temperature condition will cause the speaker outputs (SPKOUTL and SPKOUTR) of the WM8993 to be disabled.

| REGISTER ADDRESS | BIT | LABEL | DEFAULT | DESCRIPTION |
|----------------------------------|-----|-----------------|---------|---|
| R2 (02h) Power Management (2) | 14 | TSHUT_ENA | 1 | Thermal sensor enable 0 = disabled 1 = enabled |
| | 13 | TSHUT_OPDIS | 1 | Thermal shutdown control (Causes audio outputs to be disabled if an overtemperature occurs. The thermal sensor must also be enabled.) 0 = disabled 1 = enabled |
| R18 (12h) GPIO CTRL 1 | 11 | TEMPOK_EINT | 0 | Temp OK interrupt 0 = interrupt not set 1 = interrupt is set Cleared when a ‘1’ is written |
| R20 (14h) IRQ_DEBOUNCE | 11 | TEMPOK_DEBOUNCE | 0 | Temp OK de-bounce 0 = disabled 1 = enabled |
| R22 (16h) GPIOCTRL2 | 11 | IM_TEMPOK_EINT | 0 | Temp OK interrupt mask 0 = do not mask interrupt 1 = mask interrupt |
| R23 (17h) GPIO_POL | 11 | TEMPOK_POL | 1 | Temp OK interrupt polarity 0 = active high (interrupt is triggered when temperature is normal) 1 = active low (interrupt is triggered when over-temperature) |

Table 69 Temperature Sensor Enable and Interrupt Control

The Temperature Sensor output is asserted when the device is within normal operating limits. When configured to generate an interrupt event, the default value of TEMPOK_POL will cause an interrupt event when an overtemperature condition has been reached.

When GPIO1_SEL = 0101, the Temperature Sensor status is output on the GPIO1 pin. A logic 0 indicates that an overtemperature condition has been reached. Note that the polarity is not programmable for GPIO output; the GPIO1_POL and TEMPOK_POL fields affect the Interrupt behaviour only.

CONTROL WRITE SEQUENCER STATUS

The WM8993 Control Write Sequencer (WSEQ) can be used to execute a sequence of register write operations in response to a simple trigger event. When the Control Write Sequencer is executing a sequence, normal access to the register map via the Control Interface is restricted. The WM8993 generates a signal indicating the status of the Control Write Sequencer. The WSEQ_BUSY register bit indicates if the sequencer is busy, or if it has completed the commanded sequence. The WSEQ_BUSY bit can be polled at any time.

The WSEQ_BUSY bit is an input to the GPIO/Interrupt function, with selectable de-bounce and polarity control. The associated interrupt bit is latched once set and can be used to trigger the IRQ output. See "Interrupts" for more details of the Interrupt event handling.

The interrupt bit is latched once set; it is reset by writing a logic '1' to the WSEQ_EINT register bit. De-bouncing is provided in order to avoid false event triggers. Note that TOCLK must be enabled when this input de-bouncing is required. Note that the read value of WSEQ_EINT is not valid whilst the Write Sequencer is Busy.

| REGISTER ADDRESS | BIT | LABEL | DEFAULT | DESCRIPTION |
|-----------------------------------|-----|--------------|---------|---|
| R18 (12h) GPIO CTRL 1 | 13 | WSEQ_EINT | 0 | Write Sequence interrupt 0 = interrupt not set 1 = interrupt is set Cleared when a '1' is written. Note that the read value of WSEQ_EINT is not valid whilst the Write Sequencer is Busy. |
| R20 (14h) IRQ_DEBOUNCE | 13 | WSEQ_DB | 0 | Write Sequencer de-bounce 0 = disabled 1 = enabled |
| R22 (16h) GPIOCTRL2 | 1 | IM_WSEQ_EINT | 0 | Write Sequencer interrupt mask 0 = do not mask interrupt 1 = mask interrupt |
| R23 (17h) GPIO_POL | 13 | WSEQ_POL | 0 | Write Sequencer interrupt polarity 0 = active high (interrupt is triggered when WSEQ is busy) 1 = active low (interrupt is triggered when WSEQ is idle) |
| R74 (4Ah) Write Sequencer 4 | 0 | WSEQ_BUSY | 0 | Sequencer Busy flag (Read Only). 0 = Sequencer idle 1 = Sequencer busy Note: it is not possible to write to control registers via the control interface while the Sequencer is Busy. |

Table 70 Control Write Sequencer Interrupt Control

The Control Write Sequencer status output is asserted when the sequencer is busy. In order to generate an interrupt event indicating that the sequencer has completed its tasks, WSEQ_POL must be set to '1'.

LOGIC '1' AND LOGIC '0' OUTPUT

The GPIO1 pin can be programmed to drive a logic high or logic low signal. See “GPIO1 Control” for details of GPIO1 register control fields.

INTERRUPTS

The interrupt status flag IRQ is asserted when any un-masked interrupt input is asserted. It represents the OR'd combination of all the un-masked interrupt inputs. If required, this flag may be inverted using the IRQ_POL register bit. The IRQ flag can be polled at any time, or may be output directly on the GPIO1 pin.

An interrupt can be generated by any of the following events described earlier:

- Button detect input (on GPIO1, GPI7 or GPI8)
- Accessory detection (MICBIAS1 or MICBIAS2 current / short circuit detect)
- FLL Lock
- Temperature Sensor
- Control Write Sequencer

The interrupt events are indicated by the _EINT register fields described earlier. The interrupt event flags are latched once set; they are reset by writing a logic '1' to the _EINT register bit. Each of these can be masked as an input to the IRQ function by setting the associated IM_ register field. Note that the _EINT register fields are always valid, regardless of the setting of the associated IM_ register fields.

The interrupt behaviour is driven by edge detection (not level detection) of the un-masked inputs. Therefore, if an input remains asserted after the interrupt register has been reset, then the interrupt status flag IRQ will not be triggered again. Note that once the IRQ flag is latched then all subsequent trigger events will be ignored until it has been reset – see Figure 34.

See “GPIO1 Control” for details of outputting IRQ on the GPIO1 pin.

| REGISTER ADDRESS | BIT | LABEL | DEFAULT | DESCRIPTION |
|--------------------------|-----|---------|---------|---|
| R18 (12h) GPIO_CTRL_1 | 12 | IRQ | 0 | Interrupt status (IRQ) Polarity is determined by IRQ_POL This bit is read only. |
| R23 (17h) GPIO_POL | 12 | IRQ_POL | 1 | Interrupt status (IRQ) polarity 0 = active high 1 = active low |

Table 71 Interrupt (IRQ) Control

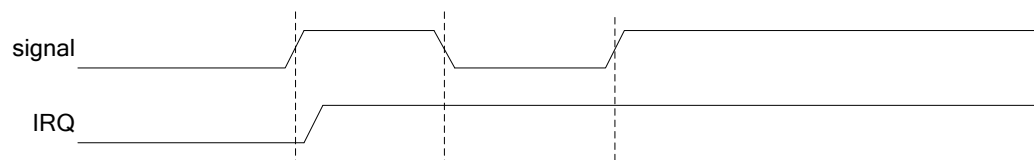


Figure 34 GPIO Latch

The de-bounce function on the GPIO functions enable transient behaviour to be filtered as illustrated below:

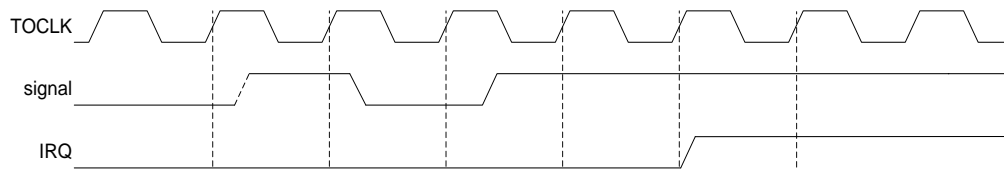


Figure 35 GPIO De-bounce

GPIO SUMMARY

Details of the GPIO implementation are shown below. When the GPIO pad is configured as an output, the corresponding input is disabled, as shown in Figure 36 below. This avoids an unstable loop condition.

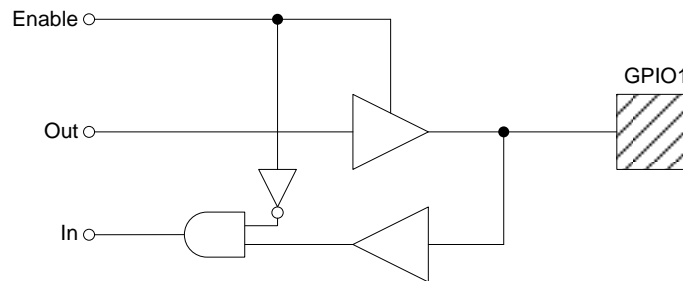


Figure 36 GPIO Pad

The GPIO register, i.e. latch structure, is shown in Figure 37 below. The illustration describes the GPIO1 functionality; the equivalent logic applies to the other GPIO functions also (eg. FLL_LOCK, TEMPOK, Jack Detect).

In the example illustrated, the de-bounce control field GPIO1_DB determines whether the signal is de-bounced or not. (Note that TOCLK needs to be present in order for the de-bounce circuit to work.) The polarity bit GPIO1_POL controls whether an interrupt is triggered by a logic 1 level (for GPIO1_POL = 0) or a logic 0 level (for GPIO1_POL = 1). The latch will cause the interrupt to be stored until it is reset by writing to the Interrupt Register. The latched signal is passed to the IRQ circuit, shown in Figure 38. The interrupt status bits can be read at any time from Register R18 (12h). The interrupt status bits are reset by writing a logic 1 to the respective bit in Register R18 (12h).

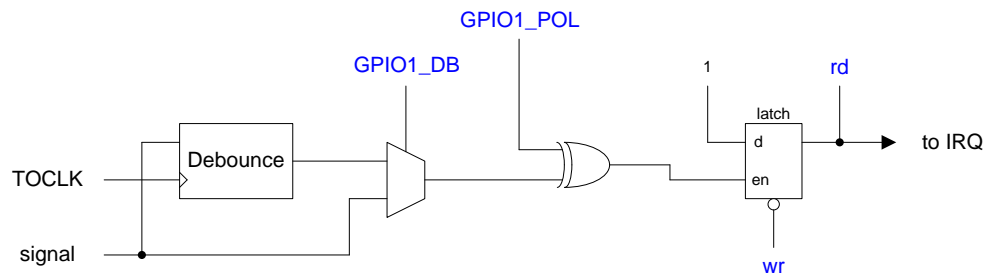


Figure 37 GPIO Function

The overall GPIO and Interrupt function is illustrated in Figure 38.

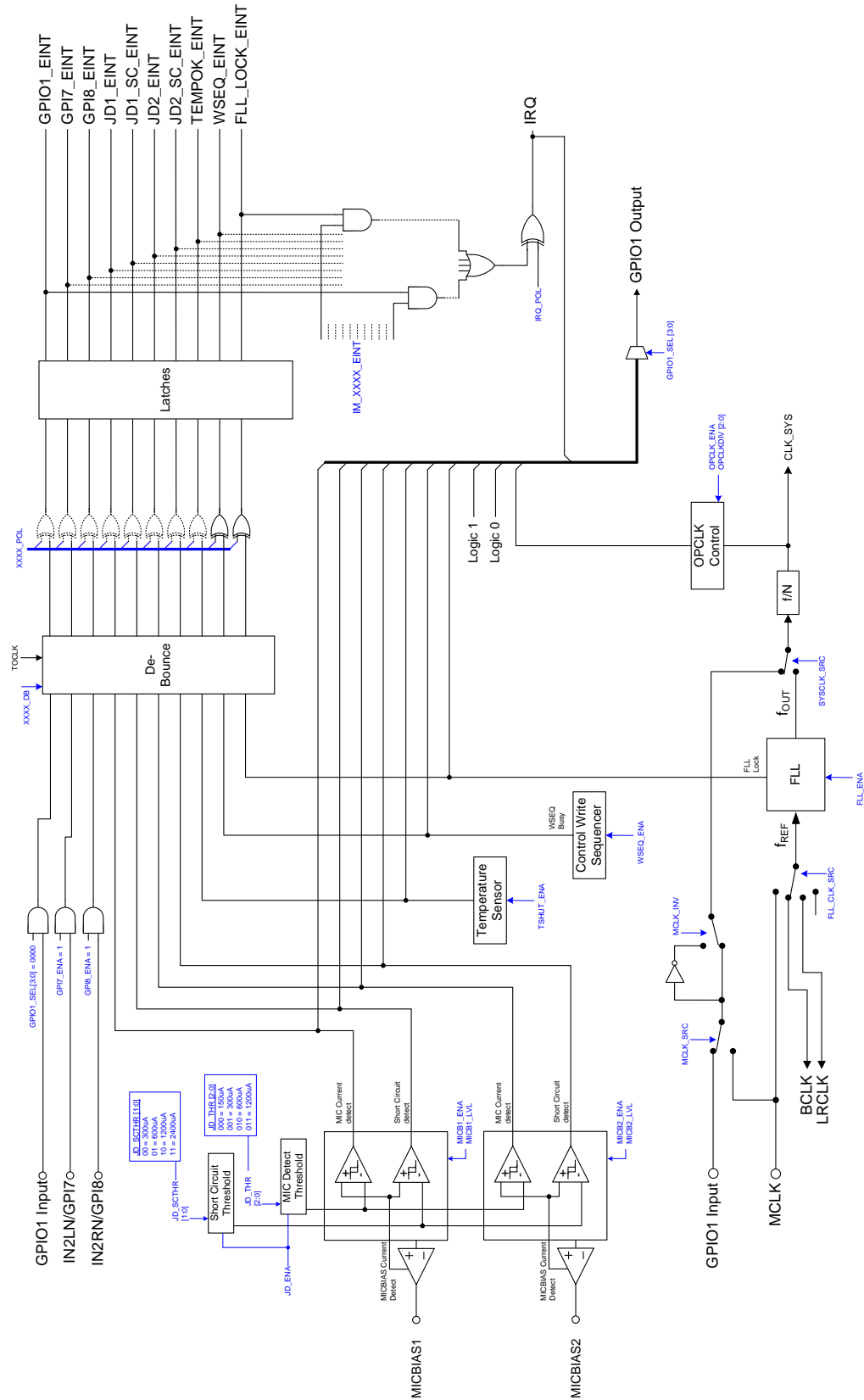


Figure 38 GPIO Summary

DIGITAL AUDIO INTERFACE

The digital audio interface is used for inputting DAC data to the WM8993 and outputting ADC data from it. The digital audio interface uses four pins:

- ADCDAT: ADC data output
- DACDAT: DAC data input
- LRCLK: Left/Right data alignment clock
- BCLK: Bit clock, for synchronisation

The clock signals BCLK and LRCLK can be outputs when the WM8993 operates as a master, or inputs when it is a slave (see Master and Slave Mode Operation, below).

Four different audio data formats are supported:

- Left justified
- Right justified
- I²S
- DSP mode

All four of these modes are MSB first. They are described in the following sections. Refer to the "Signal Timing Requirements" section for timing information.

Time Division Multiplexing (TDM) is available in all four data format modes. The WM8993 can be programmed to send and receive data in one of two time slots.

Two variants of DSP mode are supported - 'Mode A' and 'Mode B'. PCM operation is supported using the DSP mode.

MASTER AND SLAVE MODE OPERATION

The WM8993 digital audio interface can operate as a master or slave as shown in Figure 39 and Figure 40.

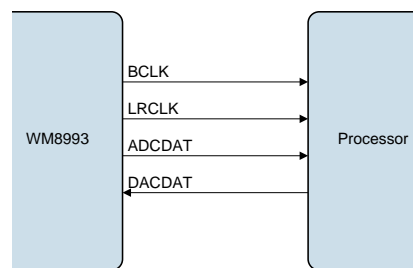


Figure 39 Master Mode

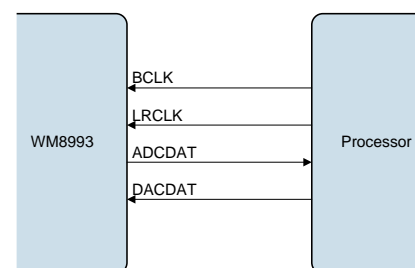


Figure 40 Slave Mode

The Audio Interface output control is illustrated above. The master mode control register AIF_MSTR1 determines whether the WM8993 generates the clock signals. The AIF_MSTR1 register field is defined in Table 72.

BCLK and LRCLK can be enabled as outputs in Slave mode, allowing mixed Master/Slave operation - see "Digital Audio Interface Control".

| REGISTER ADDRESS | BIT | LABEL | DEFAULT | DESCRIPTION |
|---------------------------------|-----|-----------|---------|---|
| R8 (08h) Audio Interface (3) | 15 | AIF_MSTR1 | 0 | Audio Interface 1 Master Mode Select 0 = Slave mode 1 = Master mode |

Table 72 Audio Interface Master/Slave Control

OPERATION WITH TDM

Time division multiplexing (TDM) allows multiple devices to transfer data simultaneously on the same bus. The WM8993 ADCs and DACs support TDM in master and slave modes for all data formats and word lengths. TDM is enabled and configured using register bits defined in the “Digital Audio Interface Control” section.

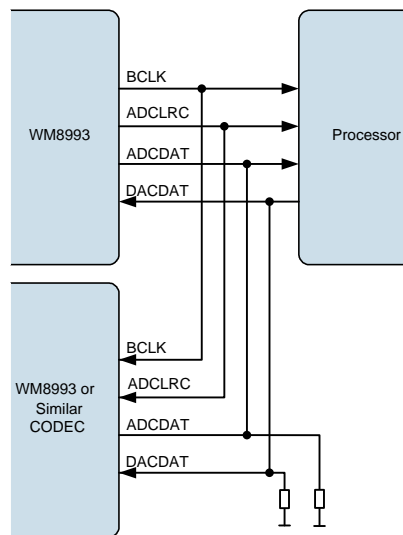


Figure 41 TDM with WM8993 as Master

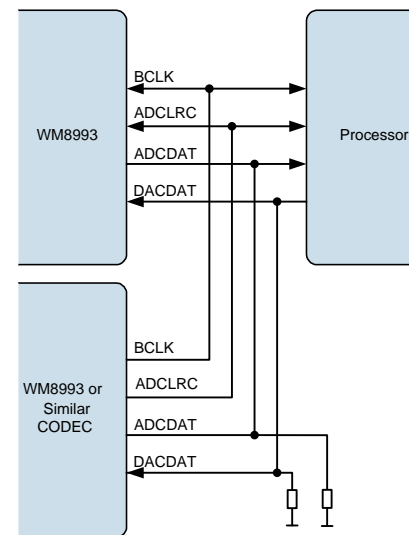


Figure 42 TDM with Other CODEC as Master

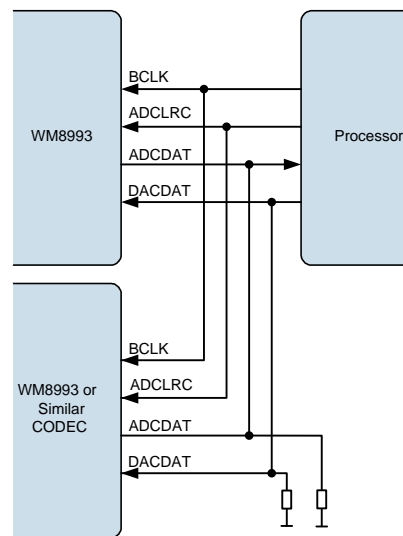


Figure 43 TDM with Processor as Master

Note: The WM8993 is a 24-bit device. If the user operates the WM8993 in 32-bit mode then the 8 LSBs will be ignored on the receiving side and not driven on the transmitting side. It is therefore recommended to add a pull-down resistor if necessary to the DACDAT line and the ADCDAT line in TDM mode.

BCLK FREQUENCY

The BCLK frequency is controlled relative to CLK_SYS by the BCLK_DIV divider. Internal clock divide and phase control mechanisms ensure that the BCLK and LRCLK edges will occur in a predictable and repeatable position relative to each other and relative to the data for a given combination of DAC/ADC sample rate and BCLK_DIV settings.

BCLK_DIV is defined in the “Digital Audio Interface Control” section. See also “Clocking and Sample Rates” section for more information.

AUDIO DATA FORMATS (NORMAL MODE)

The audio data modes supported by the WM8993 are described below. Note that the polarity of the BCLK and LRCLK signals can be inverted if required; the following descriptions all assume the default, non-inverted polarity of these signals.

In Right Justified mode, the LSB is available on the last rising edge of BCLK before a LRCLK transition. All other bits are transmitted before (MSB first). Depending on word length, BCLK frequency and sample rate, there may be unused BCLK cycles after each LRCLK transition.

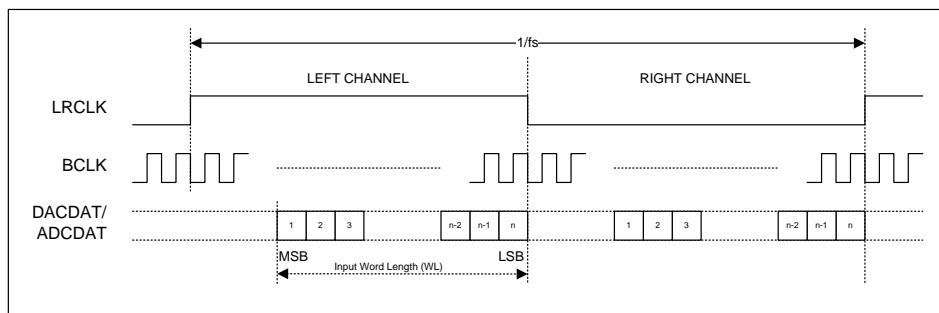


Figure 44 Right Justified Audio Interface (assuming n-bit word length)

In Left Justified mode, the MSB is available on the first rising edge of BCLK following a LRCLK transition. The other bits up to the LSB are then transmitted in order. Depending on word length, BCLK frequency and sample rate, there may be unused BCLK cycles before each LRCLK transition.

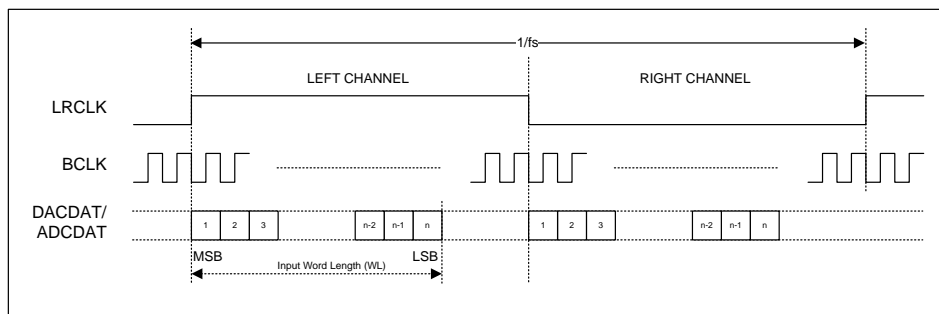


Figure 45 Left Justified Audio Interface (assuming n-bit word length)

In I²S mode, the MSB is available on the second rising edge of BCLK following a LRCLK transition. The other bits up to the LSB are then transmitted in order. Depending on word length, BCLK

frequency and sample rate, there may be unused BCLK cycles between the LSB of one sample and the MSB of the next.

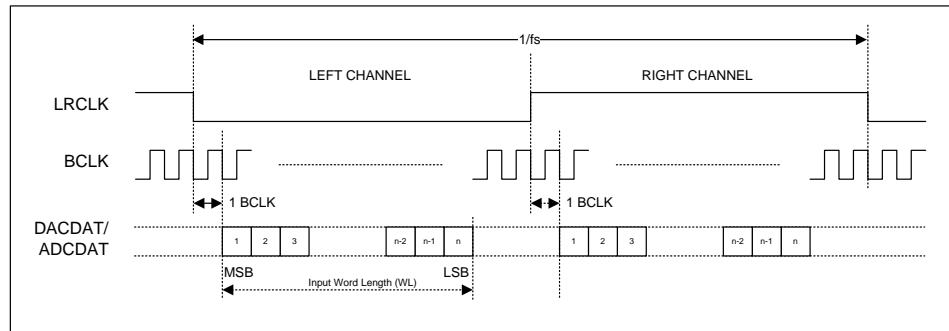


Figure 46 I2S Justified Audio Interface (assuming n-bit word length)

In DSP mode, the left channel MSB is available on either the 1st (mode B) or 2nd (mode A) rising edge of BCLK (selectable by AIF_LRCLK_INV) following a rising edge of LRCLK. Right channel data immediately follows left channel data. Depending on word length, BCLK frequency and sample rate, there may be unused BCLK cycles between the LSB of the right channel data and the next sample.

In device master mode, the LRC output will resemble the frame pulse shown in Figure 47 and Figure 48. In device slave mode, Figure 49 and Figure 50, it is possible to use any length of frame pulse less than $1/f_s$, providing the falling edge of the frame pulse occurs greater than one BCLK period before the rising edge of the next frame pulse.

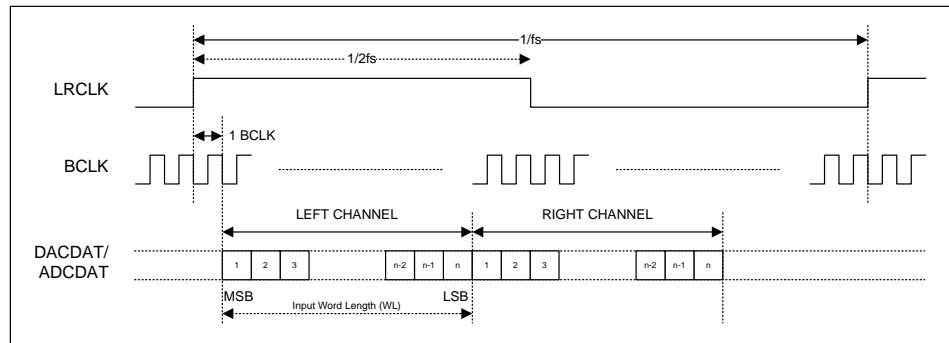


Figure 47 DSP Mode Audio Interface (mode A, AIF_LRCLK_INV=0, Master)

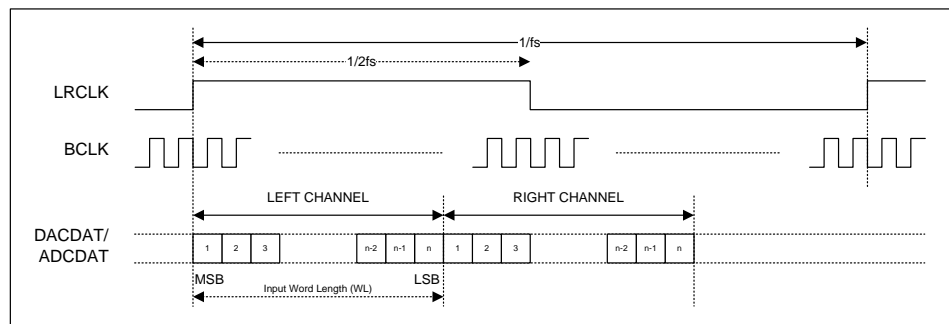


Figure 48 DSP Mode Audio Interface (mode B, AIF_LRCLK_INV=1, Master)

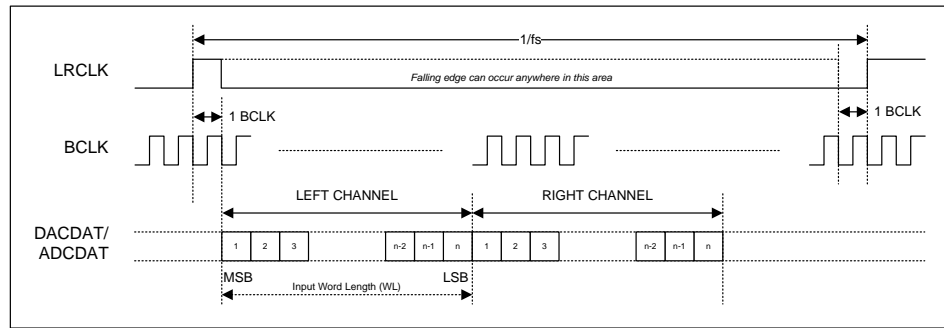


Figure 49 DSP Mode Audio Interface (mode A, AIF_LRCLK_INV=0, Slave)

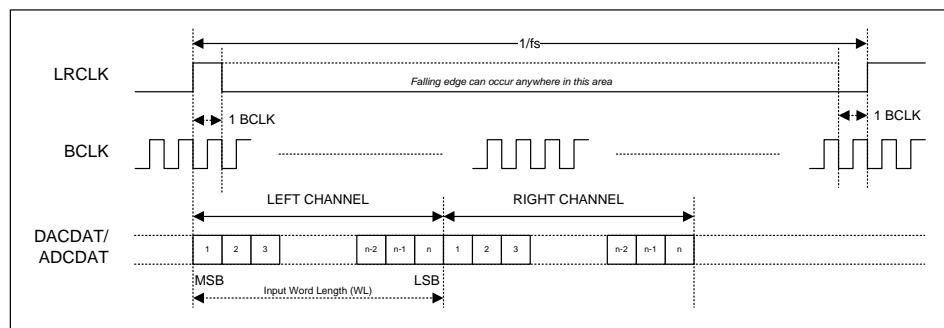


Figure 50 DSP Mode Audio Interface (mode B, AIF_LRCLK_INV=1, Slave)

PCM operation is supported in DSP interface mode. WM8993 ADC data that is output on the Left Channel will be read as mono PCM data by the receiving equipment. Mono PCM data received by the WM8993 will be treated as Left Channel data. This data may be routed to the Left/Right DACs as described in the “Digital Mixing” section.

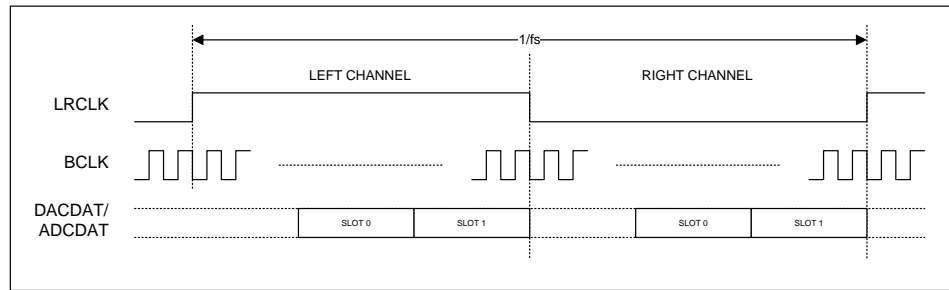
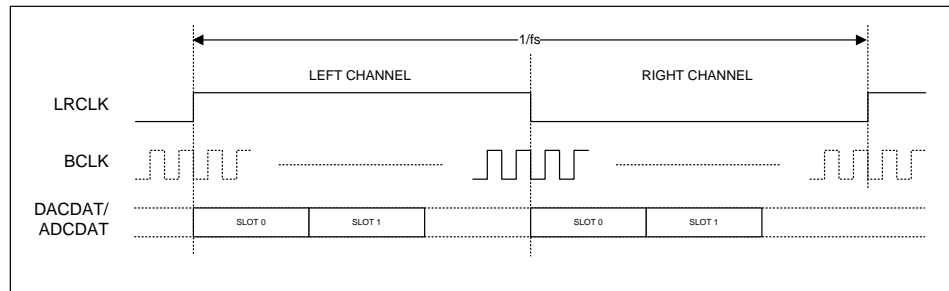
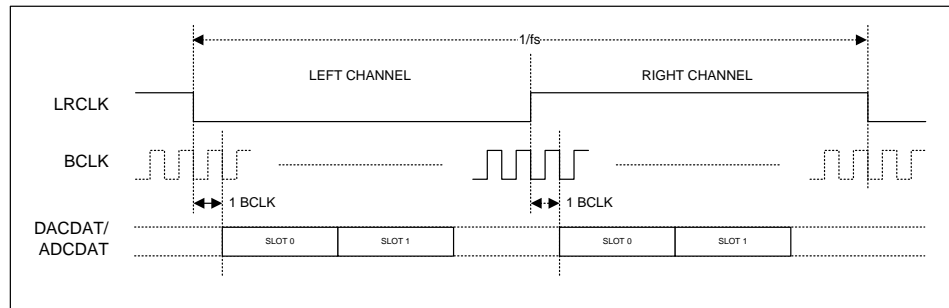
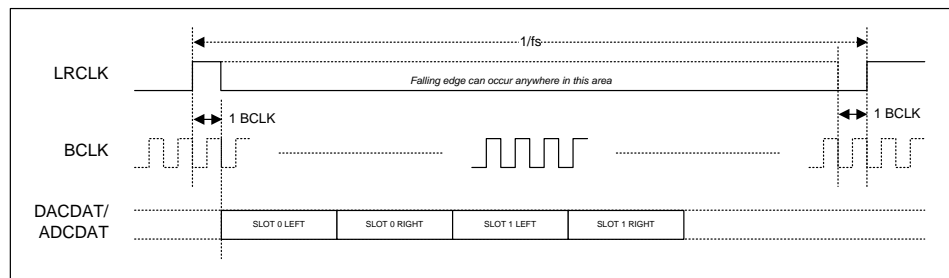
AUDIO DATA FORMATS (TDM MODE)

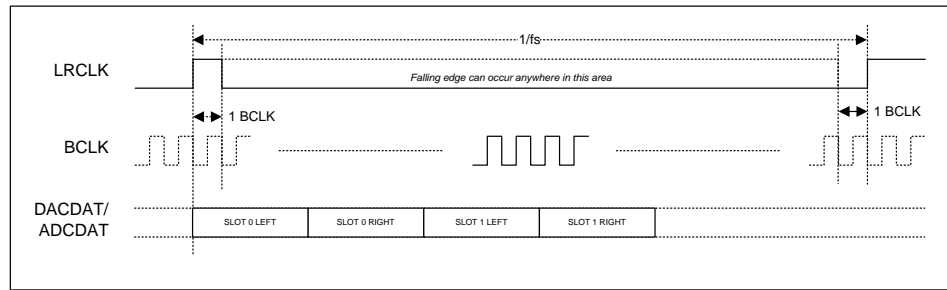
TDM is supported in master and slave mode and is enabled by register bits AIF_ADC_TDM and AIF_DAC_TDM. All audio interface data formats support time division multiplexing (TDM) for ADC and DAC data.

Two time slots are available (Slot 0 and Slot 1), selected by register bits AIFADC_TDM_CHAN and AIFDAC_TDM_CHAN which control time slots for the ADC data and the DAC data.

When TDM is enabled, the ADCDAT pin will be tri-stated immediately before and immediately after data transmission, to allow another ADC device to drive this signal line for the remainder of the sample period. Note that it is important that two ADC devices do not attempt to drive the data pin simultaneously. A short circuit may occur if the transmission time of the two ADC devices overlap with each other. See “Audio Data Formats (TDM Mode)” for details of the ADCDAT output relative to BCLK signal. Note that it is possible to ensure a gap exists between transmissions by setting the transmitted word length to a value higher than the actual length of the data. For example, if 32-bit word length is selected where only 24-bit data is available, then the WM8993 interface will tri-state after transmission of the 24-bit data, ensuring a gap after the WM8993’s TDM slot.

When TDM is enabled, BCLK frequency must be high enough to allow data from both time slots to be transferred. The relative timing of Slot 0 and Slot 1 depends upon the selected data format as shown in Figure 51 to Figure 55.


Figure 51 TDM in Right-Justified Mode

Figure 52 TDM in Left-Justified Mode

Figure 53 TDM in I²S Mode

Figure 54 TDM in DSP Mode A


Figure 55 TDM in DSP Mode B

DIGITAL AUDIO INTERFACE CONTROL

The register bits controlling audio data format, word length, left/right channel data source and TDM are summarised in Table 73.

| REGISTER ADDRESS | BIT | LABEL | DEFAULT | DESCRIPTION |
|---------------------------------|-----|-----------------|---------|---|
| R4 (04h) Audio Interface (1) | 15 | AIFADCL_SRC | 0 | Left Digital Audio interface source 0 = Left ADC data is output on left channel 1 = Right ADC data is output on left channel |
| | 14 | AIFADCR_SRC | 1 | Right Digital Audio interface source 0 = Left ADC data is output on right channel 1 = Right ADC data is output on right channel |
| | 13 | AIFADC_TDM | 0 | ADC TDM Enable 0 = Normal ADCDAT operation 1 = TDM enabled on ADCDAT |
| | 12 | AIFADC_TDM_CHAN | 0 | ADCDAT TDM Channel Select 0 = ADCDAT outputs data on slot 0 1 = ADCDAT output data on slot 1 |
| | 8 | AIF_BCLK_INV | 0 | BCLK Invert 0 = BCLK not inverted 1 = BCLK inverted Note that AIF_BCLK_INV selects the BCLK polarity in Master mode and in Slave mode. |
| | 7 | AIF_LRCLK_INV | 0 | Right, left and I ² S modes – LRCLK polarity 0 = normal LRCLK polarity 1 = invert LRCLK polarity Note that AIF_LRCLK_INV selects the LRCLK polarity in Master mode and in Slave mode. |
| | | | | DSP Mode – mode A/B select 0 = MSB is available on 2nd BCLK rising edge after LRC rising edge (mode A) 1 = MSB is available on 1st BCLK rising edge after LRC rising edge (mode B) |
| | 6:5 | AIF_WL [1:0] | 10 | Digital Audio Interface Word Length 00 = 16 bits 01 = 20 bits 10 = 24 bits 11 = 32 bits Note - see “Companding” for the selection of 8-bit mode. |

| REGISTER ADDRESS | BIT | LABEL | DEFAULT | DESCRIPTION |
|---------------------------------|-----|-----------------|---------|--|
| | 4:3 | AIF_FMT [1:0] | 10 | Digital Audio Interface Format 00 = Right justified 01 = Left justified 10 = I ² S Format 11 = DSP Mode |
| R5 (05h) Audio Interface (2) | 15 | AIFDACL_SRC | 0 | Left DAC Data Source Select 0 = Left DAC outputs left interface data 1 = Left DAC outputs right interface data |
| | 14 | AIFDACR_SRC | 1 | Right DAC Data Source Select 0 = Right DAC outputs left interface data 1 = Right DAC outputs right interface data |
| | 13 | AIFDAC_TDM | 0 | DAC TDM Enable 0 = Normal DACDAT operation 1 = TDM enabled on DACDAT |
| | 12 | AIFDAC_TDM_CHAN | 0 | DACDAT TDM Channel Select 0 = DACDAT data input on slot 0 1 = DACDAT data input on slot 1 |

Table 73 Digital Audio Interface Data Control

AUDIO INTERFACE OUTPUT TRI-STATE

Register bit AIF_TRIS can be used to tri-state the audio interface pins as described in Table 74. All digital audio interface pins will be tri-stated by this function, regardless of the state of other registers which control these pin configurations.

| REGISTER ADDRESS | BIT | LABEL | DEFAULT | DESCRIPTION |
|---------------------------------|-----|----------|---------|--|
| R9 (09h) Audio Interface (4) | 13 | AIF_TRIS | 0 | Audio Interface Tristate 0 = Audio interface pins operate normally 1 = Tristate all audio interface pins |

Table 74 Digital Audio Interface Tri-State Control

BCLK AND LRCLK CONTROL

The audio interface can be programmed to operate in master mode or slave mode using the AIF_MSTR1 register bit.

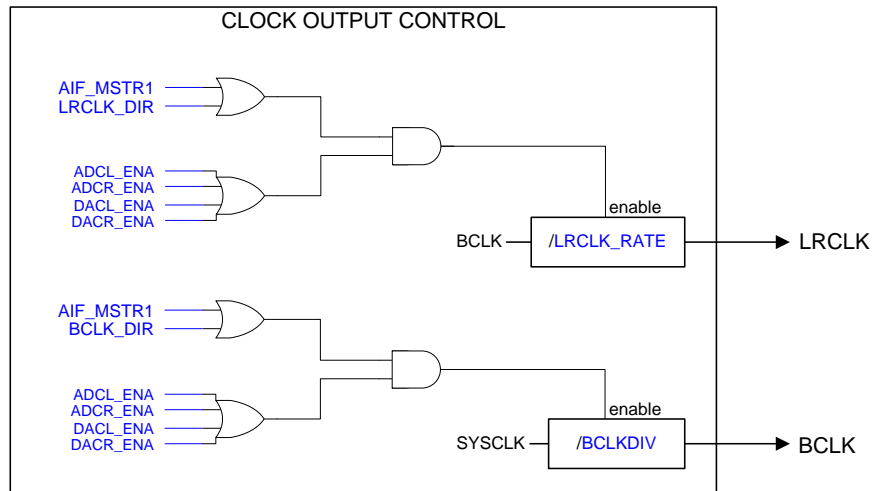
In master mode, the BCLK and LRCLK signals are generated by the WM8993 when any of the ADCs or DACs is enabled. In slave mode, the BCLK and LRCLK clock outputs are disabled by default to allow another digital audio interface to drive these pins.

It is also possible to force the BCLK or LRCLK signals to be output using BCLK_DIR and LRCLK_DIR, allowing mixed master and slave modes.

The clock generators for the audio interface are enabled according to the control signals shown in Figure 56. The BCLK_DIR and LRCLK_DIR fields are defined in Table 75.

The BCLK output can be inverted using the AIF_BCLK_INV register bit. The LRCLK output can be inverted using the AIF_LRCLK_INV register control.

Note that in Slave mode, when BCLK is an input, the AIF_BCLK_INV register selects the polarity of the received BCLK signal. Under default conditions, DACDAT input is captured on the rising edge of BCLK, as illustrated in Figure 4. When AIF_BCLK_INV = 1, DACDAT input is captured on the falling edge of BCLK.


Figure 56 Digital Audio Interface Clock Control

| REGISTER ADDRESS | BIT | LABEL | DEFAULT | DESCRIPTION |
|---------------------------------|-----|-----------|---------|---|
| R4 (04h) Audio Interface (1) | 9 | BCLK_DIR | 0 | BCLK Direction (Forces BCLK clock to be output in slave mode) 0 = BCLK normal operation 1 = BCLK clock output enabled |
| R6 (06h) Clocking (1) | 4:1 | BCLK_DIV | 0100 | BCLK Rate 0000 = CLK_SYS 0001 = CLK_SYS / 1.5 0010 = CLK_SYS / 2 0011 = CLK_SYS / 3 0100 = CLK_SYS / 4 0101 = CLK_SYS / 5.5 0110 = CLK_SYS / 6 0111 = CLK_SYS / 8 1000 = CLK_SYS / 11 1001 = CLK_SYS / 12 1010 = CLK_SYS / 16 1011 = CLK_SYS / 22 1100 = CLK_SYS / 24 1101 = CLK_SYS / 32 1110 = CLK_SYS / 44 1111 = CLK_SYS / 48 |
| R8 (08h) Audio Interface (3) | 15 | AIF_MSTR1 | 0 | Audio Interface 1 Master Mode Select 0 = Slave mode 1 = Master mode |

| REGISTER ADDRESS | BIT | LABEL | DEFAULT | DESCRIPTION |
|---------------------------------|------|-------------------|---------|--|
| R9 (09h) Audio Interface (4) | 11 | LRCLK_DIR | 0 | LRCLK Direction (Forces LRCLK clock to be output in slave mode) 0 = LRCLK normal operation 1 = LRCLK clock output enabled |
| | 10:0 | LRCLK_RATE [10:0] | 040h | LRCLK Rate LRCLK clock output = BCLK / LRCLK_RATE Integer (LSB = 1) Valid from 8..2047 |

Table 75 Digital Audio Interface Clock Control

COMPANDING

The WM8993 supports A-law and μ -law companding on both transmit (ADC) and receive (DAC) sides as shown in Table 76.

| REGISTER ADDRESS | BIT | LABEL | DEFAULT | DESCRIPTION |
|---------------------------------|-----|--------------|---------|--|
| R5 (05h) Audio Interface (2) | 4 | DAC_COMP | 0 | DAC Companding Enable 0 = disabled 1 = enabled |
| | 3 | DAC_COMPMODE | 0 | DAC Companding Type 0 = μ -law 1 = A-law |
| | 2 | ADC_COMP | 0 | ADC Companding Enable 0 = disabled 1 = enabled |
| | 1 | ADC_COMPMODE | 0 | ADC Companding Type 0 = μ -law 1 = A-law |

Table 76 Companding Control

Companding involves using a piecewise linear approximation of the following equations (as set out by ITU-T G.711 standard) for data compression:

μ -law (where $\mu=255$ for the U.S. and Japan):

$$F(x) = \ln(1 + \mu|x|) / \ln(1 + \mu) \quad -1 \leq x \leq 1$$

A-law (where $A=87.6$ for Europe):

$$F(x) = A|x| / (1 + \ln A) \quad \} \text{ for } x \leq 1/A$$

$$F(x) = (1 + \ln A|x|) / (1 + \ln A) \quad \} \text{ for } 1/A \leq x \leq 1$$

The companded data is also inverted as recommended by the G.711 standard (all 8 bits are inverted for μ -law, all even data bits are inverted for A-law). The data will be transmitted as the first 8 MSBs of data.

Companding converts 13 bits (μ -law) or 12 bits (A-law) to 8 bits using non-linear quantization. This provides greater precision for low amplitude signals than for high amplitude signals, resulting in a greater usable dynamic range than 8 bit linear quantization. The companded signal is an 8-bit word comprising sign (1 bit), exponent (3 bits) and mantissa (4 bits).

8-bit mode is selected whenever DAC_COMP=1 or ADC_COMP=1. The use of 8-bit data allows samples to be passed using as few as 8 BCLK cycles per LRCLK frame. When using DSP mode B, 8-bit data words may be transferred consecutively every 8 BCLK cycles.

8-bit mode (without Companding) may be enabled by setting DAC_COMPMODE=1 or ADC_COMPMODE=1, when DAC_COMP=0 and ADC_COMP=0.

| BIT7 | BIT[6:4] | BIT[3:0] |
|------|----------|----------|
| SIGN | EXPONENT | MANTISSA |

Table 77 8-bit Companded Word Composition

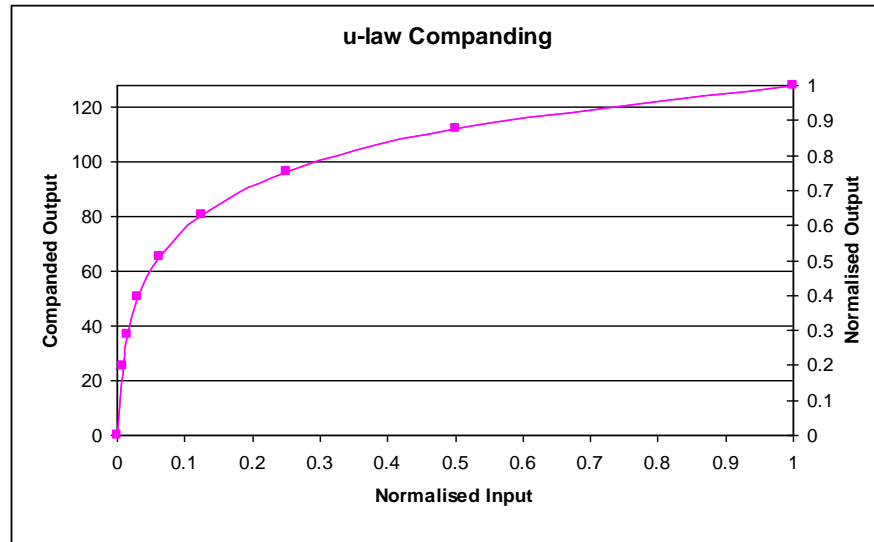


Figure 57 μ -Law Companding

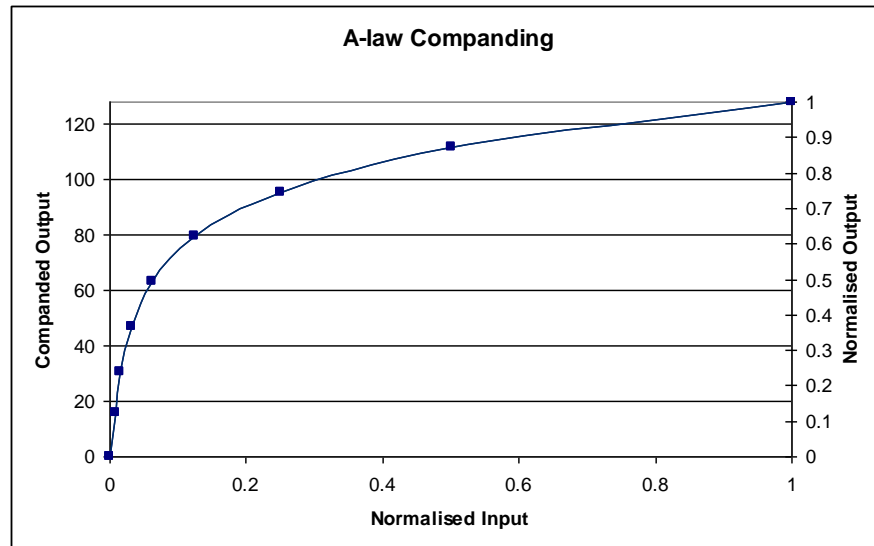


Figure 58 A-Law Companding

LOOPBACK

Setting the LOOPBACK register bit enables digital loopback. When this bit is set, the ADC digital data output is routed to the DAC digital data input path. The digital audio interface input (DACDAT) is not used when LOOPBACK is enabled.

| REGISTER ADDRESS | BIT | LABEL | DEFAULT | DESCRIPTION |
|---------------------------------|-----|----------|---------|---|
| R5 (05h) Audio Interface (2) | 0 | LOOPBACK | 0 | Digital Loopback Function 0 = No loopback 1 = Loopback enabled (ADC data output is directly input to DAC data input). |

Table 78 Loopback Control

Note: When the digital sidetone is enabled, ADC data will also be added to DAC digital data input path within the Digital Mixing circuit. This applies regardless of whether LOOPBACK is enabled.

DIGITAL PULL-UP AND PULL-DOWN

The WM8993 provides integrated pull-up and pull-down resistors on each of the MCLK, DACDAT, LRCLK and BCLK pins. This provides a flexible capability for interfacing with other devices. Each of the pull-up and pull-down resistors can be configured independently using the register bits described in Table 79.

| REGISTER ADDRESS | BIT | LABEL | DEFAULT | DESCRIPTION |
|-----------------------------|-----|-----------|---------|---|
| R122 (7Ah) Digital Pulls | 7 | MCLK_PU | 0 | MCLK pull-up resistor enable 0 = pull-up disabled 1 = pull-up enabled |
| | 6 | MCLK_PD | 0 | MCLK pull-down resistor enable 0 = pull-down disabled 1 = pull-down enabled |
| | 5 | DACDAT_PU | 0 | DACDAT pull-up resistor enable 0 = pull-up disabled 1 = pull-up enabled |
| | 4 | DACDAT_PD | 0 | DACDAT pull-down resistor enable 0 = pull-down disabled 1 = pull-down enabled |
| | 3 | LRCLK_PU | 0 | LRCLK pull-up resistor enable 0 = pull-up disabled 1 = pull-up enabled |
| | 2 | LRCLK_PD | 0 | LRCLK pull-down resistor enable 0 = pull-down disabled 1 = pull-down enabled |
| | 1 | BCLK_PU | 0 | BCLK pull-up resistor enable 0 = pull-up disabled 1 = pull-up enabled |
| | 0 | BCLK_PD | 0 | BCLK pull-down resistor enable 0 = pull-down disabled 1 = pull-down enabled |

Table 79 Digital Audio Interface Pull-Up and Pull-Down Control

CLOCKING AND SAMPLE RATES

The internal clocks for the WM8993 are all derived from a common internal clock source, CLK_SYS. This clock is the reference for the ADCs, DACs, DSP core functions, digital audio interface, Class D switching amplifier, DC servo control and other internal functions.

CLK_SYS can either be derived directly from MCLK, or may be generated from a Frequency Locked Loop (FLL) using MCLK, BCLK or LRCLK as a reference. Many commonly-used audio sample rates can be derived directly from typical MCLK frequencies; the FLL provides additional flexibility for a wide range of MCLK frequencies. To avoid audible glitches, all clock configurations must be set up before enabling playback. The FLL can be used to generate a free-running clock in the absence of an external reference source; see “Frequency Locked Loop (FLL)” for further details.

The WM8993 supports Manual or Automatic clocking configuration modes. In Automatic mode, the programmable dividers associated with the ADCs, DACs, DSP core functions, Class D switching and DC servo are configured automatically, with values determined from the CLK_SYS_RATE and SAMPLE_RATE fields. In Automatic mode, the user must also configure the OPCLK (if required), the TOCLK (if required) and the digital audio interface. In Manual mode, the entire clocking configuration can be programmed according to the application requirements.

The ADC and DAC sample rates are independently selectable, relative to CLK_SYS, using ADC_DIV and DAC_DIV. These fields must be set according to the required sampling frequency. Oversample rates of 64fs or 128fs are supported (based on a 48kHz sample rate).

A 256kHz clock, supporting a number of internal functions, is derived from CLK_SYS, via a programmable divider CLK_256K_DIV.

The DC servo control is clocked from CLK_SYS, via a programmable divider CLK_DCS_DIV.

The Class D switching amplifier is clocked from CLK_SYS, via a programmable divider DCLK_DIV.

A GPIO Clock, OPCLK, can be derived from CLK_SYS and output on the GPIO1 pin to provide clocking to other devices. This clock is enabled by OPCLK_ENA and controlled by OPCLK_DIV.

A slow clock, TOCLK, is used to de-bounce the button/accessory detect inputs, and to set the timeout period for volume updates when zero-cross detect is used. This clock is enabled by TOCLK_ENA and controlled by TOCLK_RATE, TOCLK_RATE_X4 and TOCLK_RATE_DIV16.

In master mode, BCLK is derived from CLK_SYS via a programmable divider set by BCLK_DIV. In master mode, the LRCLK is derived from BCLK via a programmable divider LRCLK_RATE. The LRCLK can be derived from an internal or external BCLK source, allowing mixed master/slave operation.

The control registers associated with Clocking and Sample Rates are shown in Table 80 to Table 85.

The overall clocking scheme for the WM8993 is illustrated in Figure 59.

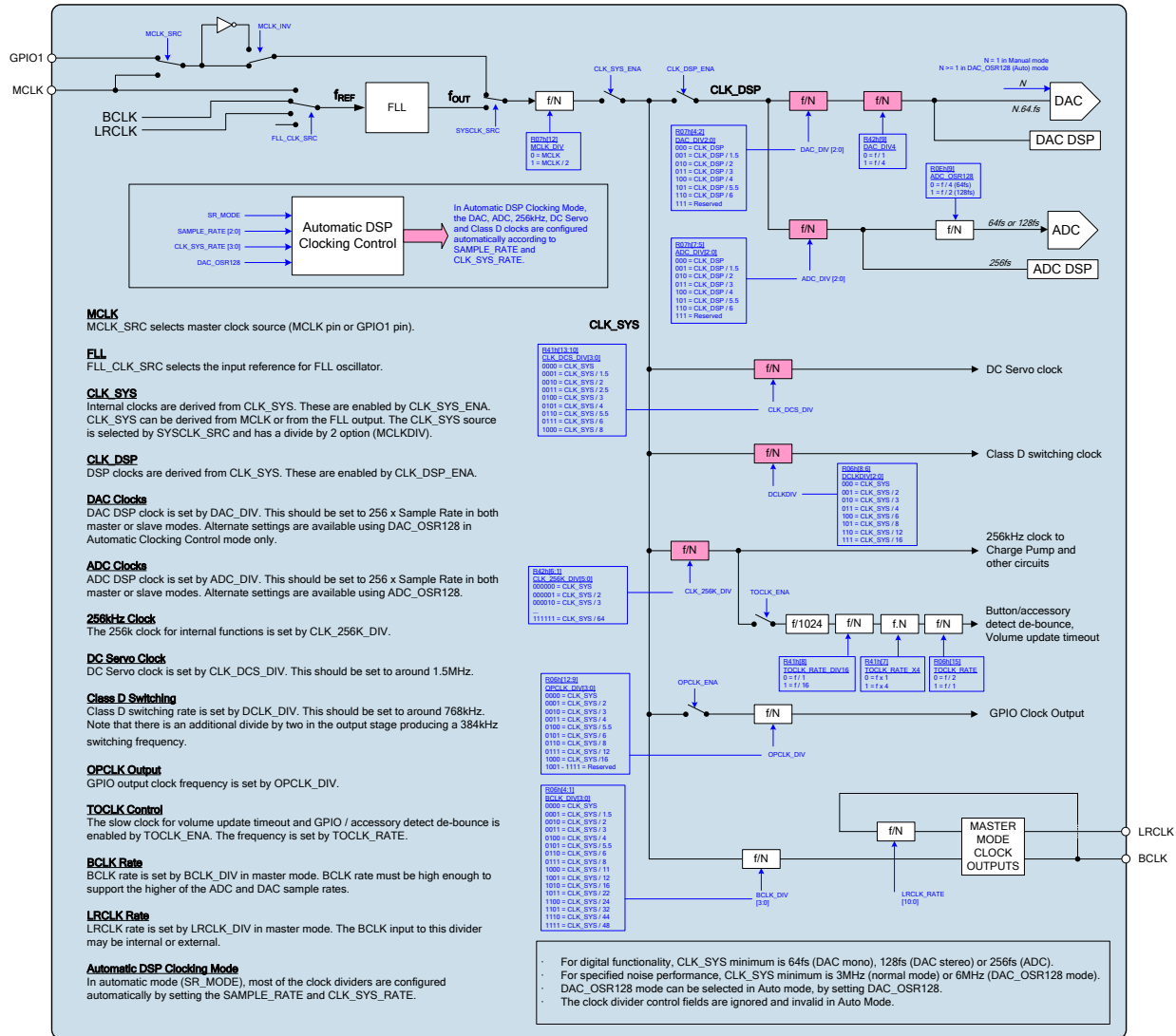


Figure 59 Clocking Scheme

CLK_SYS CONTROL

The MCLK_SRC bit is used to select the MCLK source. The source may be either MCLK or GPIO1. The selected source may also be inverted by setting the register bit MCLK_INV. Note that it is not recommended to change the control bit MCLK_INV while the WM8993 is processing data as this may lead to clocking glitches and signal pop and clicks.

The SYSCLK_SRC bit is used to select the source for CLK_SYS. The source may be either the selected MCLK source or the FLL output. The selected source may also be adjusted by the MCLK_DIV divider to generate CLK_SYS. These register fields are described in Table 80. See “Frequency Locked Loop (FLL)” for more details of the Frequency Locked Loop clock generator.

Note that, in AIF Slave modes (see “Digital Audio Interface”), it is important to ensure that CLK_SYS is synchronised with the LRCLK input. This can be achieved by selecting an MCLK input that is derived from the same reference as the LRCLK, or can be achieved by selecting the external BCLK or LRCLK signals as a reference input to one of the FLLs, as a source for CLK_SYS.

If CLK_SYS is not synchronised with LRCLK, then clicks arising from dropped or repeated audio samples will occur, due to the inherent tolerances of multiple, asynchronous, system clocks.

The CLK_SYS signal is enabled by register bit CLK_SYS_ENA. This bit should be set to 0 when reconfiguring clock sources. It is not recommended to change MCLK_SRC or SYSCLK_SRC while the CLK_SYS_ENA bit is set.

The following operating frequency limits must be observed when configuring CLK_SYS. Failure to observe these limits will result in degraded noise performance and/or incorrect ADC/DAC functionality.

- $CLK_SYS \leq 12.288MHz$
- $CLK_SYS \geq 3MHz$
- If DAC_OSR128 = 1 (Automatic Mode only), then $CLK_SYS \geq 6MHz$
- If DAC_MONO = 1, then $CLK_SYS \geq 64 \times fs$
- If DAC_MONO = 0, then $CLK_SYS \geq 128 \times fs$
- If ADCL_ENA = 1 or ADCR_ENA = 1 then $CLK_SYS \geq 256 \times fs$

Note that DAC Mono mode (DAC_MONO = 1) is only valid when one or other DAC is disabled. If both DACs are enabled, then the minimum CLK_SYS for clocking the DACs is 128 x fs.

The CLK_SYS control register fields are defined in Table 80.

| REGISTER ADDRESS | BIT | LABEL | DEFAULT | DESCRIPTION |
|-------------------------------|-----|-------------|---------|---|
| R7 (07h) Clocking 2 | 15 | MCLK_SRC | 0 | MCLK Source Select 0 = MCLK pin 1 = GPIO1 pin |
| | 14 | SYSCLK_SRC | 0 | CLK_SYS Source Select 0 = MCLK 1 = FLL output |
| | 12 | MCLK_DIV | 0 | MCLK Divider 0 = MCLK 1 = MCLK / 2 |
| | 10 | MCLK_INV | 0b | MCLK Invert 0 = MCLK not inverted 1 = MCLK inverted |
| R69 (45h) Bus Control 1 | 1 | CLK_SYS_ENA | 1 | CLK_SYS enable 0 = disabled 1 = enabled |

Table 80 MCLK and CLK_SYS Control

AUTOMATIC CLOCKING CONFIGURATION

The WM8993 supports a wide range of standard audio sample rates from 8kHz to 48kHz. The Automatic Cloning Configuration mode simplifies the configuration of the clock dividers in the WM8993 by deriving most of the necessary parameters from a minimum number of user registers.

Automatic Cloning Configuration mode is selected by the SR_MODE bit. When Automatic mode is selected (SR_MODE = 0), some of the Manual cloning configuration registers are invalid and ignored. The affected registers are indicated in Table 82 and Table 83.

In Automatic mode, the SAMPLE_RATE field selects the sample rate, fs, of the ADC and DAC. Note that, in Automatic mode, the same sample rate always applies to the ADC and DAC.

In Automatic mode, the CLK_SYS_RATE field must be set according to the ratio of CLK_SYS to fs.

In Automatic mode, a high performance mode of DAC operation can be selected by setting the DAC_OSR128 bit; in 48kHz sample mode, the DAC_OSR128 feature results in 128x oversampling. Audio performance is improved, but power consumption is also increased.

In both Manual and Automatic modes, the CLK_SYS_RATE register must be set; this determines the operating behaviour of the headphone amplifier Charge Pump circuit.

| REGISTER ADDRESS | BIT | LABEL | DEFAULT | DESCRIPTION |
|------------------------|-----|--------------------|---------|--|
| R10 (0Ah) DAC CTRL | 13 | DAC_OSR128 | 0 | DAC Oversample Rate Select 0 = disabled 1 = enabled For 48kHz sample rate, the DAC oversample rate is 128fs when DAC_OSR128 is selected. This is valid in Automatic mode only. The default is 64fs. |
| R65 (41h) Cloning 3 | 9:7 | SAMPLE_RATE [2:0] | 101 | Selects the Sample Rate (fs) 000 = 8kHz 001 = 11.025kHz, 12kHz 010 = 16kHz 011 = 22.05kHz, 24kHz 100 = 32kHz 101 = 44.1kHz, 48kHz |
| | 4:1 | CLK_SYS_RATE [3:0] | 0011 | Selects the CLK_SYS / fs ratio 0000 = 64 0001 = 128 0010 = 192 0011 = 256 0100 = 384 0101 = 512 0110 = 768 0111 = 1024 1000 = 1408 1001 = 1536 |
| R66 (42h) Cloning 4 | 0 | SR_MODE | 1 | Selects Cloning Configuration mode 0 = Automatic 1 = Manual |

Table 81 Automatic Cloning Configuration Control

ADC / DAC CLOCK CONTROL

The clocking of the ADC and DAC circuits is derived from CLK_DSP. This signal is generated from CLK_SYS and is separately enabled, using the register bit CLK_SYS_ENA.

The ADC and DAC sample rates are independently selectable, relative to CLK_DSP. The programmable dividers allow selection of the commonly used sample rates from typical audio system clocking frequencies (eg. 12.288MHz). In Manual Clocking Configuration mode, these are controlled using the register bits described in Table 82. In Automatic Clocking Configuration mode, the ADC and DAC clocking dividers are configured automatically by the WM8993.

The ADC_DIV register controls the ADC clocking rate. The ADC_DIV register should be set to derive $256 \times f_s$ from CLK_DSP, where f_s is the ADC sampling rate (eg. 48kHz).

Two modes of ADC operation can be selected using the ADC_OSR128 bit; in 48kHz sample mode, setting the ADC_OSR128 bit results in 128x oversampling. This bit is enabled by default, giving best audio performance. Deselecting this bit gives 64x oversampling in 48kHz mode, resulting in decreased power consumption.

The DAC_DIV and the DAC_DIV4 registers control the DAC clocking rate. For normal operation, DAC_DIV4 is set, and the DAC_DIV register should be set to derive $256 \times f_s$ from CLK_DSP, where f_s is the DAC sampling rate.

Higher performance DAC operation can be achieved by increasing the DAC oversample rate. This is available in Automatic Clocking Configuration mode only - see Table 81.

The ADC / DAC Clock Control registers are defined in Table 82.

In Manual Clocking Configuration mode, all of these registers may be controlled.

In Automatic Clocking Configuration mode, the CLK_SYS_ENA field must be set by the user. The ADC_OSR128 bit may be selected if required. The remaining ADC / DAC Clock Control registers are ignored and invalid in Automatic mode.

| REGISTER ADDRESS | BIT | LABEL | DEFAULT | DESCRIPTION |
|------------------------|-----|---------------|---------|---|
| R7 (07h) Clocking 2 | 7:5 | ADC_DIV [2:0] | 000 | ADC Sample Rate Divider 000 = CLK_SYS / 1 001 = CLK_SYS / 1.5 010 = CLK_SYS / 2 011 = CLK_SYS / 3 100 = CLK_SYS / 4 101 = CLK_SYS / 5.5 110 = CLK_SYS / 6 111= Reserved Note - this field is ignored and invalid in Automatic Clocking Configuration mode. |
| | 4:2 | DAC_DIV [2:0] | 000 | DAC Sample Rate Divider 000 = CLK_SYS / 1 001 = CLK_SYS / 1.5 010 = CLK_SYS / 2 011 = CLK_SYS / 3 100 = CLK_SYS / 4 101 = CLK_SYS / 5.5 110 = CLK_SYS / 6 111= Reserved Note - this field is ignored and invalid in Automatic Clocking Configuration mode. |

| REGISTER ADDRESS | BIT | LABEL | DEFAULT | DESCRIPTION |
|-------------------------|-----|-------------|---------|---|
| R14 (0Eh) ADC CTRL | 9 | ADC_OSR128 | 1 | ADC Oversample Rate Select 0 = disabled 1 = enabled For 48kHz sample rate, the ADC oversample rate is 128fs when ADC_OSR128 is selected. Setting this bit to 0 selects 64fs mode. Default is 128fs. |
| R65 (41h) Clocking 3 | 0 | CLK_DSP_ENA | 0 | CLK_DSP enable 0 = disabled 1 = enabled |
| R66 (42h) Clocking 4 | 9 | DAC_DIV4 | 1 | DAC Divide-by-4 select 0 = DAC_DIV 1 = DAC_DIV / 4 Note - this field is ignored and invalid in Automatic Clocking Configuration mode. |

Table 82 ADC / DAC Clock Control

256K, DC SERVO, CLASS D CLOCK CONTROL

Clocking is required to support a variety of other functions on the WM8993, including the DC Servo and the Class D amplifier. In Manual Clocking Configuration mode, these are controlled using the register bits described in Table 83. In Automatic Clocking Configuration mode, these are configured automatically by the WM8993.

The DCLK_DIV register controls the Class D amplifier switching frequency. The DCLK_DIV register should be set to derive a clock frequency of around 768kHz. Note that there is an additional divide by two in the output stage producing a 384kHz switching frequency. The class D switching clock frequency should not be altered while the speaker output is active as this may generate an audible click.

The CLK_DCS_DIV register controls the DC Servo clocking frequency. The CLK_DCS_DIV register should be set to derive a clock frequency of around 1.5MHz.

The CLK_256K_DIV register controls the 256kHz clocking for other circuits, including the Control Write Sequencer. The CLK_256K_DIV register should be set to derive a clock frequency of around 256kHz.

| REGISTER ADDRESS | BIT | LABEL | DEFAULT | DESCRIPTION |
|------------------------|-----|-------------------|---------|---|
| R6 (06h) Clocking 1 | 8:6 | DCLK_DIV [2:0] | 111 | Class D Clock Divider 000 = CLK_SYS 001 = CLK_SYS / 2 010 = CLK_SYS / 3 011 = CLK_SYS / 4 100 = CLK_SYS / 6 101 = CLK_SYS / 8 110 = CLK_SYS / 12 111 = CLK_SYS / 16 Note - this field is ignored and invalid in Automatic Clocking Configuration mode. |

| REGISTER ADDRESS | BIT | LABEL | DEFAULT | DESCRIPTION |
|-------------------------|-------|-----------------------|---------|--|
| R65 (41h) Clocking 3 | 13:10 | CLK_DCS_DIV [3:0] | 1000 | DC Servo Clock Divider 0000 = CLK_SYS 0001 = CLK_SYS / 1.5 0010 = CLK_SYS / 2 0011 = CLK_SYS / 2.5 0100 = CLK_SYS / 3 0101 = CLK_SYS / 4 0110 = CLK_SYS / 5.5 0111 = CLK_SYS / 6 1000 = CLK_SYS / 8 Note - this field is ignored and invalid in Automatic Clocking Configuration mode. |
| R66 (42h) Clocking 4 | 6:1 | CLK_256K_DIV [5:0] | 2Fh | 256kHz Clock Divider 0d = CLK_SYS 1d = CLK_SYS / 2 2d = CLK_SYS / 3 63d = CLK_SYS / 64 Note - this field is ignored and invalid in Automatic Clocking Configuration mode. |

Table 83 256k, DC Servo, Class D Clock Control

OPCLK CONTROL

A clock output (OPCLK) derived from CLK_SYS may be output on the GPIO1 pin. This clock is enabled by register bit OPCLK_ENA, and its frequency is controlled by OPCLK_DIV.

This output of this clock is also dependent upon the GPIO register settings described under "General Purpose Input/Output".

| REGISTER ADDRESS | BIT | LABEL | DEFAULT | DESCRIPTION |
|----------------------------------|------|--------------------|---------|--|
| R2 (02h) Power Management (2) | 11 | OPCLK_ENA | 0b | GPIO Clock Output Enable 0 = disabled 1 = enabled |
| R6 (06h) Clocking 1 | 12:9 | OPCLK_DIV [3:0] | 0000b | GPIO Output Clock Divider 0000 = CLK_SYS 0001 = CLK_SYS / 2 0010 = CLK_SYS / 3 0011 = CLK_SYS / 4 0100 = CLK_SYS / 5.5 0101 = CLK_SYS / 6 0110 = CLK_SYS / 8 0111 = CLK_SYS / 12 1000 = CLK_SYS / 16 1001 to 1111 = Reserved |

Table 84 OPCLK Control

TOCLK CONTROL

A slow clock (TOCLK) is derived from the internally generated 256kHz clock to enable input de-bouncing and volume update timeout functions. This clock is enabled by register bit TOCLK_ENA, and its frequency is controlled by TOCLK_RATE, TOCLK_RATE_X4, and TOCLK_RATE_DIV16, as described in Table 85.

A fixed division of 256kHz / 1024 is applied to generate TOCLK. The final TOCLK frequency may be a multiple or fraction of this frequency, according to the TOCLK_RATE, TOCLK_RATE_X4, and TOCLK_RATE_DIV16 register bits.

| REGISTER ADDRESS | BIT | LABEL | DEFAULT | DESCRIPTION |
|-------------------------|-----|------------------|---------|---|
| R6 (06h) Clocking 1 | 15 | TOCLK_RATE | 0 | TOCLK Rate Divider (/2) 0 = f / 2 1 = f / 1 |
| | 14 | TOCLK_ENA | 0 | TOCLK Enable 0 = disabled 1 = enabled |
| R66 (42h) Clocking 4 | 8 | TOCLK_RATE_DIV16 | 0 | TOCLK Rate Divider (/16) 0 = f / 1 1 = f / 16 |
| | 7 | TOCLK_RATE_X4 | 0 | TOCLK Rate Multiplier 0 = f x 1 1 = f x 4 |

Table 85 TOCLK Control

A list of possible TOCLK rates is provided in Table 86.

| TOCLK_RATE | TOCLK_RATE_X4 | TOCLK_RATE_DIV16 | TOCLK | |
|------------|---------------|------------------|-----------|-------------|
| | | | FREQ (HZ) | PERIOD (MS) |
| 1 | 1 | 0 | 1000 | 1 |
| 0 | 1 | 0 | 500 | 2 |
| 1 | 0 | 0 | 250 | 4 |
| 0 | 0 | 0 | 125 | 8 |
| 1 | 1 | 1 | 62.5 | 16 |
| 0 | 1 | 1 | 31.25 | 32 |
| 1 | 0 | 1 | 15.625 | 64 |
| 0 | 0 | 1 | 7.8125 | 128 |

Table 86 TOCLK Rates

BCLK AND LRCLK CONTROL

In master mode, BCLK is derived from CLK_SYS via a programmable division set by BCLK_DIV.

In master mode, LRCLK is derived from BCLK via a programmable division set by LRCLK_RATE. The BCLK input to this divider may be internal or external, allowing mixed master and slave modes.

The direction of these signals and the clock frequencies are controlled as described in the "Digital Audio Interface Control" section.

FREQUENCY LOCKED LOOP (FLL)

The integrated FLL can be used to generate CLK_SYS from a wide variety of different reference sources and frequencies. The FLL can use either MCLK, BCLK or LRCLK as its reference, which may be a high frequency (eg. 12.288MHz) or low frequency (eg. 32,768kHz) reference. The FLL is tolerant of jitter and may be used to generate a stable CLK_SYS from a less stable input signal. The FLL characteristics are summarised in “Electrical Characteristics”.

Note that the FLL can be used to generate a free-running clock in the absence of an external reference source. This is described in the “Free-Running FLL Clock” section below.

The FLL control registers are illustrated in Figure 60.

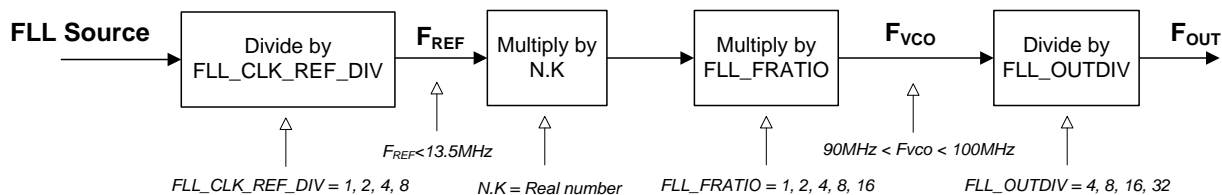


Figure 60 FLL Configuration

The FLL is enabled using the FLL_ENA register bit. Note that, when changing FLL settings, it is recommended that the digital circuit be disabled via FLL_ENA and then re-enabled after the other register settings have been updated. When changing the input reference frequency F_{REF} , it is recommended that the FLL be reset by setting FLL_ENA to 0.

Note that, for normal operation of the FLLs, the reference voltage VMID and the bias current must also be enabled. See “Reference Voltages and Master Bias” for details of the associated controls VMID_SEL and BIAS_ENA.

The field FLL_CLK_REF_DIV provides the option to divide the input reference (MCLK, BCLK or LRCLK) by 1, 2, 4 or 8. This field should be set to bring the reference down to 13.5MHz or below. For best performance, it is recommended that the highest possible frequency - within the 13.5MHz limit - should be selected.

The FLL output frequency is directly determined from FLL_FRATIO, FLL_OUTDIV and the real number represented by N.K. The integer value N is held in the FLL_N register field (LSB = 1), and is used in both Integer and Fractional Modes. The fractional portion, K, is only valid in Fractional Mode when enabled by the field FLL_FRAC. It is recommended that FLL_FRAC is enabled at all times.

In FLL Fractional Mode, the fractional portion of the N.K multiplier is held in the FLL_K register field. This field is coded as a fixed point quantity, where the MSB has a weighting of 0.5. Note that, if desired, the value of this field may be calculated by multiplying K by 2^{16} and treating FLL_K as an integer value, as illustrated in the following example:

If $N.K = 8.192$, then $K = 0.192$

Multiplying K by 2^{16} gives $0.192 \times 65536 = 12582.912$ (decimal)

Apply rounding to the nearest integer = 12583 (decimal) = 3127 (hex)

The FLL output frequency is generated according to the following equation:

$$F_{OUT} = (F_{VCO} / FLL_OUTDIV)$$

The FLL operating frequency, F_{VCO} is set according to the following equation:

$$F_{VCO} = (F_{REF} \times N.K \times FLL_FRATIO)$$

F_{REF} is the input frequency, as determined by FLL_CLK_REF_DIV.

F_{VCO} must be in the range 90-100 MHz. Frequencies outside this range cannot be supported.

Note that the output frequencies that do not lie within the ranges quoted above cannot be guaranteed across the full range of device operating temperatures.

In order to follow the above requirements for F_{VCO} , the value of FLL_OUTDIV should be selected according to the desired output F_{OUT} , as described in Table 87.

| OUTPUT FREQUENCY F_{OUT} | FLL_OUTDIV |
|----------------------------|-------------------|
| 2.8125 MHz - 3.125 MHz | 4h (divide by 32) |
| 5.625 MHz - 6.25 MHz | 3h (divide by 16) |
| 11.25 MHz - 12.5 MHz | 2h (divide by 8) |
| 22.5 MHz - 25 MHz | 1h (divide by 4) |

Table 87 Selection of FLL_OUTDIV

The value of FLL_FRATIO should be selected as described in Table 88.

| REFERENCE FREQUENCY F_{REF} | FLL_FRATIO |
|-------------------------------|-------------------|
| 1MHz - 13.5MHz | 0h (divide by 1) |
| 256kHz - 1MHz | 1h (divide by 2) |
| 128kHz - 256kHz | 2h (divide by 4) |
| 64kHz - 128kHz | 3h (divide by 8) |
| Less than 64kHz | 4h (divide by 16) |

Table 88 Selection of FLL_FRATIO

In order to determine the remaining FLL parameters, the FLL operating frequency, F_{VCO} , must be calculated, as given by the following equation:

$$F_{VCO} = (F_{OUT} \times FLL_OUTDIV)$$

The value of FLL_N and FLL_K can then be determined as follows:

$$N.K = F_{VCO} / (FLL_FRATIO \times F_{REF})$$

Note that F_{REF} is the input frequency, after division by FLL_CLK_REF_DIV, where applicable.

For best performance, FLL Fractional Mode should always be used. Therefore, if the calculations yield an integer value of N.K, then it is recommended to adjust FLL_FRATIO in order to obtain a non-integer value of N.K.

The register fields that control the FLL are described in Table 89. Example settings for a variety of reference frequencies and output frequencies are shown in Table 91.

| REGISTER ADDRESS | BIT | LABEL | DEFAULT | DESCRIPTION |
|----------------------------|------|-----------------------|---------|---|
| R60 (3Ch) FLL Control 1 | 2 | FLL_FRAC | 0 | Fractional enable 0 = Integer Mode 1 = Fractional Mode 1 recommended in all cases |
| | 1 | FLL_OSC_ENA | 0 | FLL Oscillator Enable 0 = FLL disabled 1 = FLL enabled (Note that this field is required for free-running FLL modes only) |
| | 0 | FLL_ENA | 0 | FLL Enable 0 = FLL disabled 1 = FLL enabled |
| R61 (3Dh) FLL Control 2 | 10:8 | FLL_OUTDIV [2:0] | 000 | F _{OUT} clock divider 000 = 2 001 = 4 010 = 8 011 = 16 100 = 32 101 = 64 110 = 128 111 = 256 (F _{OUT} = F _{VCO} / FLL_OUTDIV) |
| | 2:0 | FLL_FRATIO [2:0] | 000 | F _{VCO} clock divider 000 = 1 001 = 2 010 = 4 011 = 8 1XX = 16 |
| R62 (3Eh) FLL Control 3 | 15:0 | FLL_K[15:0] | 0000h | Fractional multiply for F _{REF} (MSB = 0.5) |
| R63 (3Fh) FLL Control 4 | 14:5 | FLL_N[9:0] | 177h | Integer multiply for F _{REF} (LSB = 1) |
| R64 (40h) FLL Control 5 | 4:3 | FLL_CLK_REF_DIV [1:0] | 00b | FLL Clock Reference Divider 00 = MCLK / 1 01 = MCLK / 2 10 = MCLK / 4 11 = MCLK / 8 MCLK (or other input reference) must be divided down to <=13.5MHz. For lower power operation, the reference clock can be divided down further if desired. |
| | 1:0 | FLL_CLK_SRC [1:0] | 10b | FLL Clock source 00 = MCLK 01 = LRCLK 10 = BCLK 11 = Reserved |

Table 89 FLL Register Map

FREE-RUNNING FLL CLOCK

The FLL can generate a clock signal even when no external reference is available. However, it should be noted that the accuracy of this clock is reduced, and a reference source should always be used where possible. Note that, in free-running modes, the FLL is not sufficiently accurate for hi-fi ADC or DAC applications. However, the free-running modes are suitable for clocking most other functions, including the Write Sequencer, Charge Pump, DC Servo and Class D loudspeaker driver.

If an accurate reference clock is initially available, then the FLL should be configured as described above. The FLL will continue to generate a stable output clock after the reference input is stopped or disconnected.

If no reference clock is available at the time of starting up the FLL, then an internal clock frequency of approximately 12MHz can be generated by enabling the FLL Analogue Oscillator using the FLL_OSC_ENA register bit, and setting F_{OUT} clock divider to divide by 8 (FLL_OUTDIV = 010b), as defined in Table 89. Under recommended operating conditions, the FLL output may be forced to approximately 12MHz by then enabling the FLL_FRC_NCO bit and setting FLL_FRC_NCO_VAL to 19h (see Table 90). The resultant CLK_SYS, together with the default settings of DCLK_DIV, CLK_DCS_DIV and CLK_256K_DIV, delivers the required clock frequencies for the Class D output driver, DC Servo, Charge Pump and other functions. Note that the value of FLL_FRC_NCO_VAL may be adjusted to control F_{OUT}, but care should be taken to maintain the correct relationship between CLK_SYS and the aforementioned functional blocks.

| REGISTER ADDRESS | BIT | LABEL | DEFAULT | DESCRIPTION |
|----------------------------|------|-----------------|---------|---|
| R64 (40h) FLL Control 5 | 12:7 | FLL_FRC_NCO_VAL | 00_0000 | Forces the oscillator value Valid range is 000000 to 111111 0x19h (011001) = 12MHz approx (Note that this field is required for free-running FLL modes only) |
| | 6 | FLL_FRC_NCO | 0 | FLL control select 0 = controlled by digital loop (default) 1 = controlled by FLL_FRC_NCO_VAL (Note that this field is required for free-running FLL modes only) |

Table 90 FLL Free-Running Mode

In both cases described above, the FLL must be selected as the CLK_SYS source by setting SYSCLK_SRC (see Table 80). The free-running FLL modes are not sufficiently accurate for hi-fi ADC or DAC applications. Note that, in the absence of any reference clock, the FLL output is subject to a very wide tolerance. See "Electrical Characteristics" for details of the FLL accuracy.

EXAMPLE FLL CALCULATION

To generate 12.288 MHz output (F_{OUT}) from a 12.000 MHz reference clock (F_{REF}):

- Set FLL_CLK_REF_DIV in order to generate F_{REF} <= 13.5MHz:
FLL_CLK_REF_DIV = 00 (divide by 1)
- Set FLL_OUTDIV for the required output frequency as shown in Table 87:-
F_{OUT} = 12.288 MHz, therefore FLL_OUTDIV = 2h (divide by 8)
- Set FLL_FRATIO for the given reference frequency as shown in Table 88:
F_{REF} = 12MHz, therefore FLL_FRATIO = 0h (divide by 1)
- Calculate F_{VCO} as given by F_{VCO} = F_{OUT} x FLL_OUTDIV:-
F_{VCO} = 12.288 x 8 = 98.304MHz
- Calculate N.K as given by N.K = F_{VCO} / (FLL_FRATIO x F_{REF}):
N.K = 98.304 / (1 x 12) = 8.192

- Determine FLL_N and FLL_K from the integer and fractional portions of N.K:-
FLL_N is 8. FLL_K is 0.192
- Confirm that N.K is a fractional quantity and set FLL_FRAC:
N.K is fractional. Set FLL_FRAC = 1.
Note that, if N.K is an integer, then an alternative value of FLL_FRATIO should be selected in order to produce a fractional value of N.K.

EXAMPLE FLL SETTINGS

Table 91 provides example FLL settings for generating common CLK_SYS frequencies from a variety of low and high frequency reference inputs.

| F _{REF} | F _{OUT} | FLL_CLK_REF_DIV | F _{VCO} | FLL_N | FLL_K | FLL_FRATIO | FLL_OUTDIV | FLL_FRAC |
|------------------|------------------|---------------------|------------------|---------------|---------------------|------------|------------|----------|
| 32.000 kHz | 12.288 MHz | 0h (divide by 1) | 98.304 MHz | 384 (180h) | 0 (0000h) | 8 (3h) | 8 (2h) | 0 |
| 32.000 kHz | 11.2896 MHz | 0h (divide by 1) | 90.3168 MHz | 352 (160h) | 0.8 (CCCCCh) | 8 (3h) | 8 (2h) | 1 |
| 32.768 kHz | 12.288 MHz | 0h (divide by 1) | 98.304 MHz | 187 (0BBh) | 0.5 (8000h) | 16 (4h) | 8 (2h) | 1 |
| 32.768 kHz | 11.288576 MHz | 0h (divide by 1) | 90.308608 MHz | 344 (158h) | 0.5 (8000h) | 8 (3h) | 8 (2h) | 1 |
| 32.768 kHz | 11.2896 MHz | 0h (divide by 1) | 90.3168 MHz | 344 (158h) | 0.53125 (8800h) | 8 (3h) | 8 (2h) | 1 |
| 48 kHz | 12.288 MHz | 0h (divide by 1) | 98.304 MHz | 256 (100h) | 0 (0000h) | 8 (3h) | 8 (2h) | 0 |
| 11.3636 MHz | 12.368544 MHz | 0h (divide by 1) | 98.948354 MHz | 8 (008h) | 0.707483 (B51Dh) | 1 (0h) | 8 (2h) | 1 |
| 12.000 MHz | 12.288 MHz | 0h (divide by 1) | 98.3040 MHz | 8 (008h) | 0.192 (3127h) | 1 (0h) | 8 (2h) | 1 |
| 12.000 MHz | 11.289597 MHz | 0h (divide by 1) | 90.3168 MHz | 7 (007h) | 0.526398 (86C2h) | 1 (0h) | 8 (2h) | 1 |
| 12.288 MHz | 12.288 MHz | 0h (divide by 1) | 98.304 MHz | 8 (008h) | 0 (0000h) | 1 (0h) | 8 (2h) | 0 |
| 12.288 MHz | 11.2896 MHz | 0h (divide by 1) | 90.3168 MHz | 7 (007h) | 0.35 (599Ah) | 1 (0h) | 8 (2h) | 1 |
| 13.000 MHz | 12.287990 MHz | 0h (divide by 1) | 98.3040 MHz | 7 (007h) | 0.56184 (8FD5h) | 1 (0h) | 8 (2h) | 1 |
| 13.000 MHz | 11.289606 MHz | 0h (divide by 1) | 90.3168 MHz | 6 (006h) | 0.94745 (F28Ch) | 1 (0h) | 8 (2h) | 1 |
| 19.200 MHz | 12.287988 MHz | 1h (divide by 2) | 98.3039 MHz | 5 (005h) | 0.119995 (1EB8h) | 1 (0h) | 8 (2h) | 1 |
| 19.200 MHz | 11.289588 MHz | 1h (divide by 2) | 90.3168 MHz | 4 (004h) | 0.703995 (B439h) | 1 (0h) | 8 (2h) | 1 |

Table 91 Example FLL Settings

CONTROL INTERFACE

The WM8993 is controlled by writing to registers through a 2-wire serial control interface. Readback is available for all registers, including device ID, power management status and GPIO status.

The WM8993 is a slave device on the control interface; SCLK is a clock input, while SDAT is a bi-directional data pin. To allow arbitration of multiple slaves (and/or multiple masters) on the same interface, the WM8993 transmits logic 1 by tri-stating the SDAT pin, rather than pulling it high. An external pull-up resistor is required to pull the SDAT line high so that the logic 1 can be recognised by the master.

In order to allow many devices to share a single 2-wire control bus, every device on the bus has a unique 7-bit device ID (this is not the same as the 8-bit address of each register in the WM8993). The WM8993 device ID is 0011 0100 (34h). The LSB of the device ID is the Read/Write bit; this bit is set to logic 1 for "Read" and logic 0 for "Write".

The WM8993 operates as a slave device only. The controller indicates the start of data transfer with a high to low transition on SDAT while SCLK remains high. This indicates that a device ID, register address and data will follow. The WM8993 responds to the start condition and shifts in the next eight bits on SDAT (7-bit device ID + Read/Write bit, MSB first). If the device ID received matches the device ID of the WM8993, then the WM8993 responds by pulling SDAT low on the next clock pulse (ACK). If the device ID is not recognised or the R/W bit is set incorrectly, the WM8993 returns to the idle condition and waits for a new start condition and valid address.

If the device ID matches the device ID of the WM8993, the data transfer continues as described below. The controller indicates the end of data transfer with a low to high transition on SDAT while SCLK remains high. After receiving a complete address and data sequence the WM8993 returns to the idle state and waits for another start condition. If a start or stop condition is detected out of sequence at any point during data transfer (i.e. SDAT changes while SCLK is high), the device returns to the idle condition.

The WM8993 supports the following read and write operations:

- Single write
- Single read
- Multiple write using auto-increment
- Multiple read using auto-increment

The sequence of signals associated with a single register write operation is illustrated in Figure 61.

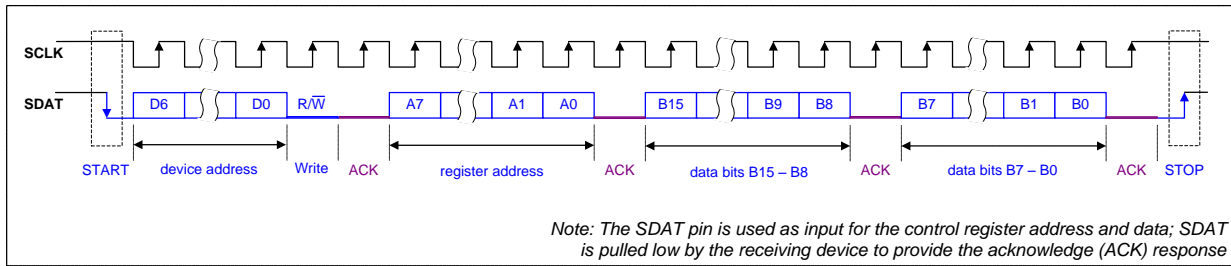


Figure 61 Control Interface Register Write

The sequence of signals associated with a single register read operation is illustrated in Figure 62.

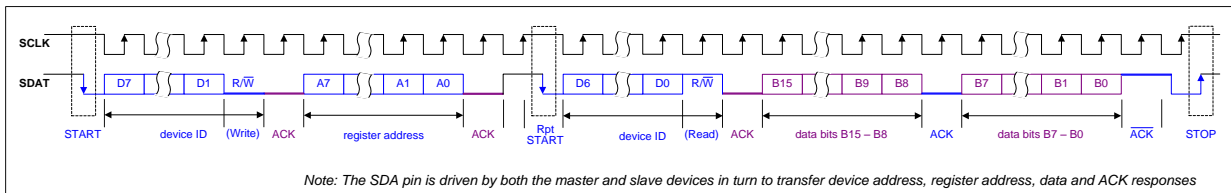


Figure 62 Control Interface Register Read

The Control Interface also supports other register operations, as listed above. The interface protocol for these operations is summarised below. The terminology used in the following figures is detailed in Table 92.

Note that multiple write and multiple read operations are supported using the auto-increment mode. This feature enables the host processor to access sequential blocks of the data in the WM8993 register map faster than is possible with single register operations.

| TERMINOLOGY | DESCRIPTION | |
|---------------|-------------------------------------|-----------------------|
| S | Start Condition | |
| Sr | Repeated start | |
| A | Acknowledge (SDAT Low) | |
| \bar{A} | Not Acknowledge (SDAT High) | |
| P | Stop Condition | |
| R/W | ReadNotWrite | 0 = Write 1 = Read |
| [White field] | Data flow from bus master to WM8993 | |
| [Grey field] | Data flow from WM8993 to bus master | |

Table 92 Control Interface Terminology

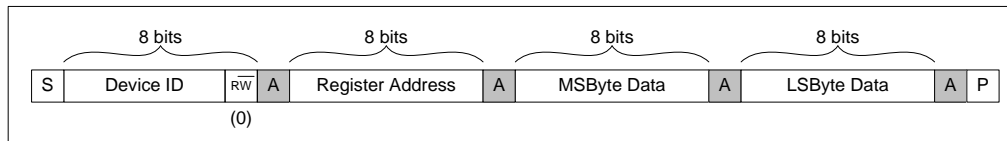


Figure 63 Single Register Write to Specified Address

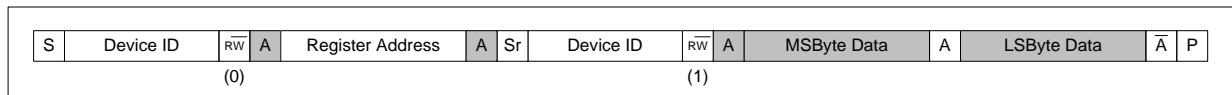


Figure 64 Single Register Read from Specified Address

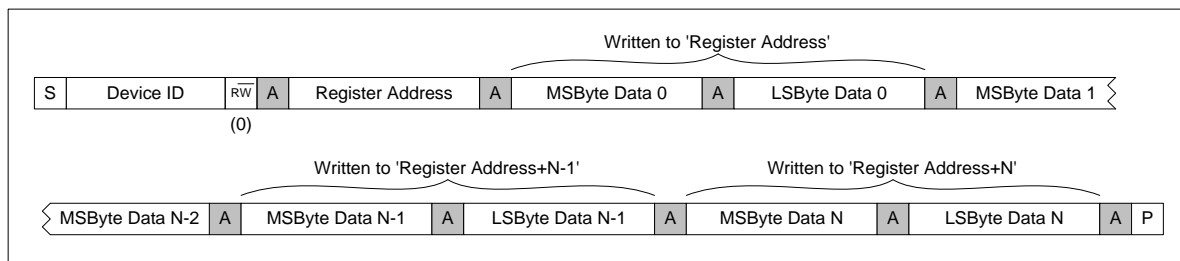


Figure 65 Multiple Register Write to Specified Address using Auto-increment

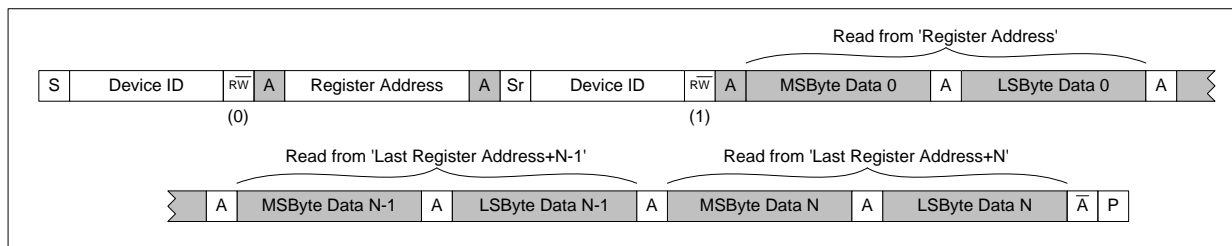


Figure 66 Multiple Register Read from Specified Address using Auto-increment

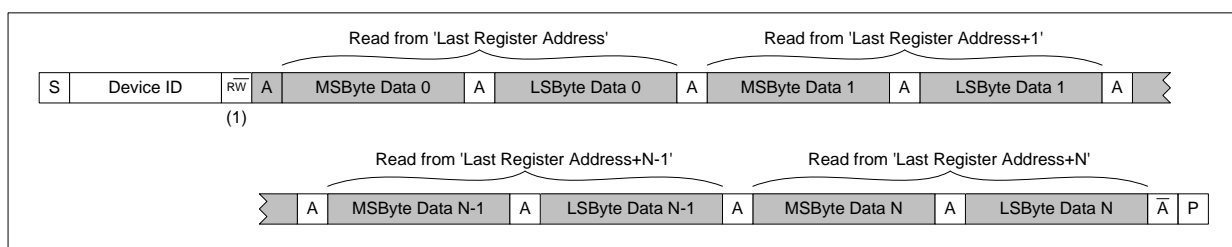


Figure 67 Multiple Register Read from Last Address using Auto-increment

CONTROL WRITE SEQUENCER

The Control Write Sequencer is a programmable unit that forms part of the WM8993 control interface logic. It provides the ability to perform a sequence of register write operations with the minimum of demands on the host processor - the sequence may be initiated by a single operation from the host processor and then left to execute independently.

Default sequences for Start-Up of each output driver and Shut-Down are provided (see “Default Sequences” section). It is recommended that these default sequences are used unless changes become necessary.

When a sequence is initiated, the sequencer performs a series of pre-defined register writes. The host processor informs the sequencer of the start index of the required sequence within the sequencer’s memory. At each step of the sequence, the contents of the selected register fields are read from the sequencer’s memory and copied into the WM8993 control registers. This continues sequentially through the sequencer’s memory until an “End of Sequence” bit is encountered; at this point, the sequencer stops and an Interrupt status flag is asserted. For cases where the timing of the write sequence is important, a programmable delay can be set for specific steps within the sequence.

Note that the Control Write Sequencer’s internal clock is derived from the internal clock CLK_SYS which must be enabled by setting CLK_SYS_ENA (see “Clocking and Sample Rates”). The clock division from CLK_SYS is handled transparently by the WM8993 without user intervention, as long as CLK_SYS and sample rates are set correctly.

INITIATING A SEQUENCE

The Register fields associated with running the Control Write Sequencer are described in Table 93. Note that the operation of the Control Write Sequencer also requires the internal clock CLK_SYS to be enabled via the CLK_SYS_ENA (see “Clocking and Sample Rates”).

The Write Sequencer is enabled by setting the WSEQ_ENA bit. The start index of the required sequence must be written to the WSEQ_START_INDEX field. Setting the WSEQ_START bit initiates the sequencer at the given start index.

The Write Sequencer can be interrupted by writing a logic 1 to the WSEQ_ABORT bit.

The current status of the Write Sequencer can be read using two further register fields - when the WSEQ_BUSY bit is asserted, this indicates that the Write Sequencer is busy. Note that, whilst the Control Write Sequencer is running a sequence (indicated by the WSEQ_BUSY bit), normal read/write operations to the Control Registers cannot be supported. The index of the current step in the Write Sequencer can be read from the WSEQ_CURRENT_INDEX field; this is an indicator of the sequencer’s progress. On completion of a sequence, this field holds the index of the last step within the last commanded sequence.

When the Write Sequencer reaches the end of a sequence, it asserts the WSEQ_EINT flag in Register R121 (see Table 70). This flag can be used to generate an Interrupt Event on completion of the sequence. Note that the WSEQ_EINT flag is asserted to indicate that the WSEQ is NOT Busy.

| REGISTER ADDRESS | BIT | LABEL | DEFAULT | DESCRIPTION |
|--------------------------------|-----|------------|---------|--|
| R70 (46h) Write Sequencer 0 | 8 | WSEQ_ENA | 0 | Write Sequencer Enable. 0 = Disabled 1 = Enabled |
| R73 (49h) Write Sequencer 3 | 9 | WSEQ_ABORT | 0 | Writing a 1 to this bit aborts the current sequence and returns control of the device back to the serial control interface. |
| | 8 | WSEQ_START | 0 | Writing a 1 to this bit starts the write sequencer at the memory location indicated by the WSEQ_START_INDEX field. The sequence continues until it reaches an “End of sequence” flag. At the end of the sequence, this bit will be reset by the Write Sequencer. |

| REGISTER ADDRESS | BIT | LABEL | DEFAULT | DESCRIPTION |
|-----------------------------------|-----|---|---------|---|
| | 5:0 | WSEQ_START_INDEX [5:0] | 00_0000 | Sequence Start Index. This is the memory location of the first command in the selected sequence. 0 to 31 = RAM addresses 32 to 58 = ROM addresses 59 to 63 = Reserved |
| R74 (4Ah) Write Sequencer 4 | 0 | WSEQ_BUSY (read only) | 0 | Sequencer Busy flag (Read Only). 0 = Sequencer idle 1 = Sequencer busy Note: it is not possible to write to control registers via the control interface while the Sequencer is Busy. |
| R75 (4Bh) Write Sequencer 5 | 5:0 | WSEQ_CURRENT_INDEX [5:0] (read only) | 00_0000 | Sequence Current Index. This is the location of the most recently accessed command in the write sequencer memory. |

Table 93 Write Sequencer Control - Initiating a Sequence

PROGRAMMING A SEQUENCE

A sequence consists of write operations to data bits (or groups of bits) within the control registers. The Register fields associated with programming the Control Write Sequencer are described in Table 94.

For each step of the sequence being programmed, the Sequencer Index must be written to the WSEQ_WRITE_INDEX field. The values 0 to 31 correspond to all the available RAM addresses within the Write Sequencer memory. (Note that memory addresses 32 to 58 also exist, but these are ROM addresses, which are not programmable.)

Having set the Index as described above, Register R71 must be written to (containing the Control Register Address, the Start Bit Position and the Field Width applicable to this step of the sequence). Also, Register R72 must be written to (containing the Register Data, the End of Sequence flag and the Delay time required after this step is executed). After writing to these two registers, the next step in the sequence may be programmed by updating WSEQ_WRITE_INDEX and repeating the procedure.

WSEQ_ADDR is an 8-bit field containing the Control Register Address in which the data should be written.

WSEQ_DATA_START is a 4-bit field which identifies the LSB position within the selected Control Register to which the data should be written. Setting WSEQ_DATA_START = 0100 will cause 1-bit data to be written to bit 4. With this setting, 4-bit data would be written to bits 7:4 and so on.

WSEQ_DATA_WIDTH is a 3-bit field which identifies the width of the data block to be written. This enables selected portions of a Control Register to be updated without any concern for other bits within the same register, eliminating the need for read-modify-write procedures. Values of 0 to 7 correspond to data widths of 1 to 8 respectively. For example, setting WSEQ_DATA_WIDTH = 010 will cause a 3-bit data block to be written. Note that the maximum value of this field corresponds to an 8-bit data block; writing to register fields greater than 8 bits wide must be performed using two separate operations of the Control Write Sequencer.

WSEQ_DATA is an 8-bit field which contains the data to be written to the selected Control Register. The WSEQ_DATA_WIDTH field determines how many of these bits are written to the selected register; the most significant bits (above the number indicated by WSEQ_DATA_WIDTH) are ignored.

WSEQ_DELAY is a 4-bit field which controls the waiting time between the current step and the next step in the sequence i.e. the delay occurs after the write in which it was called. The total delay time per step (including execution) is given by:

$$T = k \times (2^{WSEQ_DELAY} + 8)$$

where k = 62.5µs (under recommended operating conditions)

This gives a useful range of execution/delay times from 562µs up to 2.048s per step.

WSEQ_EOS is a 1-bit field which indicates the End of Sequence. If this bit is set, then the Control Write Sequencer will automatically stop after this step has been executed.

| REGISTER ADDRESS | BIT | LABEL | DEFAULT | DESCRIPTION |
|--------------------------------|-------|------------------------|-----------|---|
| R70 (46h) Write Sequencer 0 | 4:0 | WSEQ_WRITE_INDEX [4:0] | 0_0000 | Sequence Write Index. This is the memory location to which any updates to R71 and R72 will be copied. 0 to 31 = RAM addresses |
| R71 (47h) Write Sequencer 1 | 14:12 | WSEQ_DATA_WIDTH [2:0] | 000 | Width of the data block written in this sequence step. 000 = 1 bit 001 = 2 bits 010 = 3 bits 011 = 4 bits 100 = 5 bits 101 = 6 bits 110 = 7 bits 111 = 8 bits |
| | 11:8 | WSEQ_DATA_START [3:0] | 0000 | Bit position of the LSB of the data block written in this sequence step. 0000 = Bit 0 ... 1111 = Bit 15 |
| | 7:0 | WSEQ_ADDR [7:0] | 0000_0000 | Control Register Address to be written to in this sequence step. |
| R72 (48h) Write Sequencer 2 | 14 | WSEQ_EOS | 0 | End of Sequence flag. This bit indicates whether the Control Write Sequencer should stop after executing this step. 0 = Not end of sequence 1 = End of sequence (Stop the sequencer after this step). |
| | 11:8 | WSEQ_DELAY [3:0] | 0000 | Time delay after executing this step. Total time per step (including execution) = $62.5\mu\text{s} \times (2^{\text{WSEQ_DELAY}} + 8)$ |
| | 7:0 | WSEQ_DATA [7:0] | 0000_0000 | Data to be written in this sequence step. When the data width is less than 8 bits, then one or more of the MSBs of WSEQ_DATA are ignored. It is recommended that unused bits be set to 0. |

Table 94 Write Sequencer Control - Programming a Sequence

Note that a 'Dummy' write can be inserted into a control sequence by commanding the sequencer to write a value of 0 to bit 0 of Register R255 (FFh). This is effectively a write to a non-existent register location. This can be used in order to create placeholders ready for easy adaptation of the sequence. For example, a sequence could be defined to power-up a mono signal path from DACL to headphone, with a 'dummy' write included to leave space for easy modification to a stereo signal path configuration. Dummy writes can also be used in order to implement additional time delays between register writes. Dummy writes are included in both of the Headphone start-up sequences - see Table 95 and Table 96.

In summary, the Control Register to be written is set by the WSEQ_ADDR field. The data bits that are written are determined by a combination of WSEQ_DATA_START, WSEQ_DATA_WIDTH and WSEQ_DATA. This is illustrated below for an example case of writing to the ADCL_DAC_SVOL field within Register R13 (0Dh).

In this example, the Start Position is bit 09 (WSEQ_DATA_START = 1001b) and the Data width is 4 bits (WSEQ_DATA_WIDTH = 0011b). With these settings, the Control Write Sequencer would update the Control Register R13 [12:9] with the contents of WSEQ_DATA [3:0].

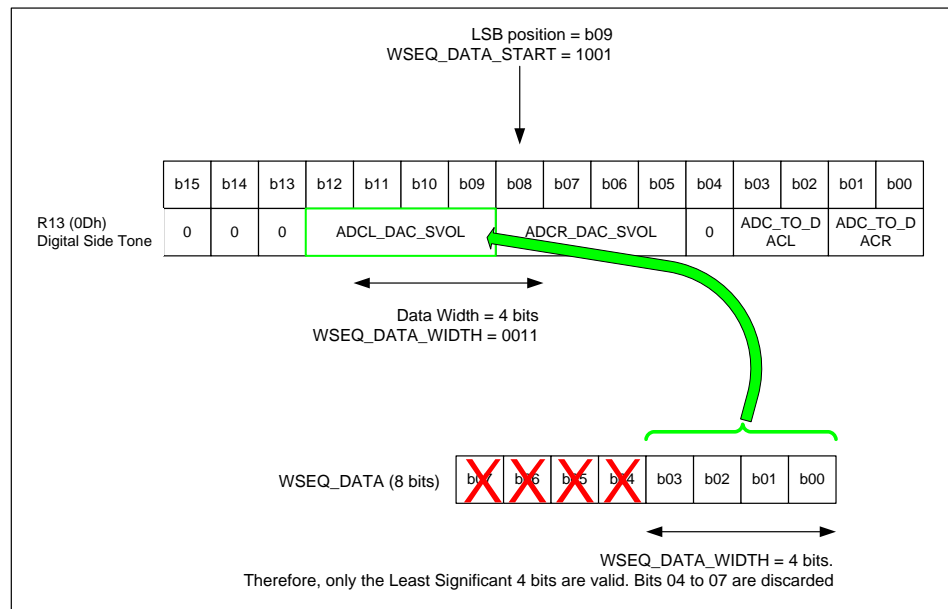


Figure 68 Control Write Sequencer Example

DEFAULT SEQUENCES

When the WM8993 is powered up, a number of Control Write Sequences are available through default settings in both RAM and ROM memory locations. The pre-programmed default settings include Start-Up and Shut-Down sequences for each of the output drivers. Note that the default sequences do not include audio signal path or gain setting configuration; this must be implemented prior to scheduling any of the default Start-Up sequences.

Index addresses 0 to 31 may be programmed to users' own settings at any time, as described in "Programming a Sequence". Users' own settings remain in memory regardless of WSEQ_ENA, and are not affected by software resets (i.e. writing to Register R0). However, any non-default sequences are lost when the device is powered down.

The following default control sequences are provided:

1. **Headphone Cold Start-Up** - This sequence powers up the headphone driver and charge pump. It commands the DC Servo to perform offset correction. It enables the master bias required for analogue functions. This sequence is intended for enabling the headphone output after initial power-on, when DC offset correction has not previously been run.
2. **Headphone Warm Start-Up** - This sequence is similar to the Headphone Cold Start-Up, but does not include the DC Servo operation. This sequence is intended for fast enabling of the headphone output when DC offset correction has previously been scheduled and provided the analogue gain settings have not been updated since scheduling the DC offset correction.
3. **Speaker Start-Up** - This sequence powers up the stereo speaker driver. It also enables the master bias required for analogue functions.
4. **Earpiece Start-Up** - This sequence powers up the earpiece driver. It also enables the master bias required for analogue functions. The soft-start VMID option is used in order to suppress pops when the driver is enabled. This sequence is intended for enabling the earpiece driver when the master bias has not previously been enabled.
5. **Line Output Start-Up** - This sequence powers up the line outputs. Active discharge of the line outputs is selected, followed by the soft-start VMID enable, followed by selection of the master bias and un-muting of the line outputs. This sequence is intended for enabling the line drivers when the master bias has not previously been enabled.
6. **Speaker and Headphone Fast Shut-Down** - This sequence implements a fast shutdown of the speaker and headphone drivers. It also disables the DC Servo and charge pump circuits, and

disables the analogue bias circuits using the soft-start (ramp) feature. This sequence is intended as a shut-down sequence when only the speaker or headphone drivers are enabled.

7. Generic Shut-Down - This sequence shuts down all of the WM8993 output drivers, DC Servo, charge pump and analogue bias circuits. It is similar to the Fast Shut-Down sequence, with the additional control of the earpiece and line output drivers. Active discharge of the line outputs is included and all drivers are disabled as part of this sequence.

Specific details of each of these sequences is provided below.

Headphone Cold Start-Up

The Headphone Cold Start-Up sequence is initiated by writing 0100h to Register 73 (49h). This single operation starts the Control Write Sequencer at Index Address 0 (00h) and executes the sequence defined in Table 95.

This sequence takes approximately 296ms to run.

| WSEQ INDEX | REGISTER ADDRESS | WIDTH | START | DATA | DELAY | EOS | DESCRIPTION |
|------------|------------------|--------|--------|------|-------|-----|--|
| 0 (00h) | R57 (39h) | 5 bits | Bit 2 | 1Bh | 0h | 0b | STARTUP_BIAS_ENA = 1 VMID_BUF_ENA = 1 VMID_RAMP[1:0] = 11b (delay = 0.5625ms) |
| 1 (01h) | R1 (01h) | 3 bits | Bit 0 | 03h | 9h | 0b | BIAS_ENA = 1 VMID_SEL[1:0] = 01b (delay = 32.5ms) |
| 2 (02h) | R76 (4Ch) | 1 bits | Bit 15 | 01h | 6h | 0b | CP_ENA = 1 (delay = 4.5ms) |
| 3 (03h) | R1 (01h) | 3 bits | Bit 7 | 07h | 0h | 0b | HPOUT1R_ENA = 1 HPOUT1L_ENA = 1 (delay = 0.5625ms) |
| 4 (04h) | R96 (60h) | 5 bits | Bit 1 | 11h | 0h | 0b | HPOUT1R_DLY = 1 HPOUT1L_DLY = 1 (delay = 0.5625ms) |
| 5 (05h) | R84 (54h) | 6 bits | Bit 0 | 33h | Ch | 0b | DCS_ENA_CHAN_0 = 1 DCS_ENA_CHAN_1 = 1 DCS_TRIG_STARTUP_0 = 1 DCS_TRIG_STARTUP_1 = 1 (delay = 256.5ms) |
| 6 (06h) | R255 (FFh) | 1 bits | Bit 0 | 00h | 0h | 0b | Dummy Write for expansion (delay = 0.5625ms) |
| 7 (07h) | R96 (60h) | 6 bits | Bit 2 | 3Bh | 0h | 1b | HPOUT1R_OUTP = 1 HPOUT1R_RMV_SHORT = 1 HPOUT1_DLY = 1 HPOUT1L_OUTP = 1 HPOUT1L_RMV_SHORT = 1 (delay = 0.5625ms) |

Table 95 Headphone Cold Start-Up Default Sequence

Headphone Warm Start-Up

The Headphone Warm Start-Up sequence can be initiated by writing 0108h to Register 73 (49h). This single operation starts the Control Write Sequencer at Index Address 8 (08h) and executes the sequence defined in Table 96.

This sequence takes approximately 40ms to run.

| WSEQ INDEX | REGISTER ADDRESS | WIDTH | START | DATA | DELAY | EOS | DESCRIPTION |
|------------|------------------|--------|--------|------|-------|-----|--|
| 8 (08h) | R57 (39h) | 5 bits | Bit 2 | 1Bh | 0h | 0b | STARTUP_BIAS_ENA = 1 VMID_BUF_ENA = 1 VMID_RAMP[1:0] = 11b (delay = 0.5625ms) |
| 9 (09h) | R1 (01h) | 3 bits | Bit 0 | 03h | 9h | 0b | BIAS_ENA = 1 VMID_SEL[1:0] = 01b (delay = 32.5ms) |
| 10 (0Ah) | R76 (4Ch) | 1 bits | Bit 15 | 01h | 6h | 0b | CP_ENA = 1 (delay = 4.5ms) |
| 11 (0Bh) | R1 (01h) | 3 bits | Bit 7 | 07h | 0h | 0b | HPOUT1R_ENA = 1 HPOUT1L_ENA = 1 (delay = 0.5625ms) |
| 12 (0Ch) | R96 (60h) | 5 bits | Bit 1 | 11h | 0h | 0b | HPOUT1R_DLY = 1 HPOUT1L_DLY = 1 (delay = 0.5625ms) |
| 13 (0Dh) | R84 (54h) | 2 bits | Bit 0 | 03h | 0h | 0b | DCS_ENA_CHAN_0 = 1 DCS_ENA_CHAN_1 = 1 (delay = 0.5625ms) |
| 14 (0Eh) | R255 (FFh) | 1 bits | Bit 0 | 00h | 0h | 0b | Dummy Write for expansion (delay = 0.5625ms) |
| 15 (0Fh) | R96 (60h) | 6 bits | Bit 2 | 3Bh | 0h | 1b | HPOUT1R_OUTP = 1 HPOUT1R_RMV_SHORT = 1 HPOUT1_DLY = 1 HPOUT1L_OUTP = 1 HPOUT1L_RMV_SHORT = 1 (delay = 0.5625ms) |

Table 96 Headphone Warm Start-Up Default Sequence

Speaker Start-Up

The Speaker Start-Up sequence can be initiated by writing 0110h to Register 73 (49h). This single operation starts the Control Write Sequencer at Index Address 16 (10h) and executes the sequence defined in Table 97.

This sequence takes approximately 34ms to run.

| WSEQ INDEX | REGISTER ADDRESS | WIDTH | START | DATA | DELAY | EOS | DESCRIPTION |
|------------|------------------|--------|--------|------|-------|-----|--|
| 16 (10h) | R57 (39h) | 5 bits | Bit 2 | 1Bh | 0h | 0b | STARTUP_BIAS_ENA = 1 VMID_BUF_ENA = 1 VMID_RAMP[1:0] = 11b (delay = 0.5625ms) |
| 17 (11h) | R1 (01h) | 3 bits | Bit 0 | 03h | 9h | 0b | BIAS_ENA = 1 VMID_SEL[1:0] = 01b (delay = 32.5ms) |
| 18 (12h) | R1 (01h) | 2 bits | Bit 12 | 03h | 0h | 1b | SPKOUTL_ENA = 1 SPKOUTR_ENE = 1 (delay = 0.5625ms) |

Table 97 Speaker Start-Up Default Sequence

Earpiece Start-Up

The Earpiece Start-Up sequence can be initiated by writing 0113h to Register 73 (49h). This single operation starts the Control Write Sequencer at Index Address 19 (13h) and executes the sequence defined in Table 98.

This sequence takes approximately 259ms to run.

| WSEQ INDEX | REGISTER ADDRESS | WIDTH | START | DATA | DELAY | EOS | DESCRIPTION |
|------------|------------------|--------|--------|------|-------|-----|--|
| 19 (13h) | R57 (39h) | 6 bits | Bit 1 | 27h | 0h | 0b | BIAS_SRC = 1 STARTUP_BIAS_ENA = 1 VMID_BUF_ENA = 1 VMID_RAMP[1:0] = 10b (delay = 0.5625ms) |
| 20 (14h) | R56 (38h) | 1 bit | Bit 6 | 01h | 0h | 0b | HPOUT2_IN_ENA = 1 (delay = 0.5625ms) |
| 21 (15h) | R1 (01h) | 1 bit | Bit 11 | 01h | 0h | 0b | HPOUT2_ENA = 1 (delay = 0.5625ms) |
| 22 (16h) | R1 (01h) | 3 bits | Bit 0 | 03h | Ch | 0b | BIAS_ENA = 1 VMID_SEL[1:0] = 01b (delay = 256.5ms) |
| 23 (17h) | R57 (39h) | 1 bit | Bit 1 | 00h | 0h | 0b | BIAS_SRC = 0 (delay = 0.5625ms) |
| 24 (18h) | R31 (1Fh) | 1 bit | Bit 5 | 00h | 0h | 1b | HPOUT2_MUTE = 0 (delay = 0.5625ms) |

Table 98 Earpiece Start-Up Default Sequence

Line Output Start-Up

The Line Output Start-Up sequence can be initiated by writing 0119h to Register 73 (49h). This single operation starts the Control Write Sequencer at Index Address 25 (19h) and executes the sequence defined in Table 99.

This sequence takes approximately 517ms to run.

| WSEQ INDEX | REGISTER ADDRESS | WIDTH | START | DATA | DELAY | EOS | DESCRIPTION |
|------------|------------------|--------|--------|------|-------|-----|--|
| 25 (19h) | R56 (38h) | 2 bits | Bit 4 | 03h | 0h | 0b | LINEOUT2_DISCH = 1 LINEOUT1_DISCH = 1 (delay = 0.5625ms) |
| 26 (1Ah) | R57 (39h) | 6 bits | Bit 1 | 27h | 0h | 0b | BIAS_SRC = 1 STARTUP_BIAS_ENA = 1 VMID_BUF_ENA = 1 VMID_RAMP[1:0] = 10b (delay = 0.5625ms) |
| 27 (1Bh) | R56 (38h) | 1 bit | Bit 7 | 01h | 0h | 0b | LINEOUT_VMID_BUF_ENA = 1 (delay = 0.5625ms) |
| 28 (1Ch) | R3 (03h) | 4 bits | Bit 10 | 0Fh | 0h | 0b | LINEOUT2P_ENA = 1 LINEOUT2N_ENA = 1 LINEOUT1P_ENA = 1 LINEOUT1N_ENA = 1 (delay = 0.5625ms) |
| 29 (1Dh) | R56 (38h) | 2 bits | Bit 4 | 00h | 0h | 0b | LINEOUT2_DISCH = 0 LINEOUT1_DISCH = 0 (delay = 0.5625ms) |
| 30 (1Eh) | R1 (01h) | 3 bits | Bit 0 | 03h | Dh | 0b | BIAS_ENA = 1 VMID_SEL = 01b (delay = 0.5625ms) |
| 31 (1Fh) | R57 (39h) | 1 bit | Bit 1 | 00h | 0h | 0b | BIAS_SRC = 0 (delay = 512.5ms) |
| 32 (20h) | R30 (1Eh) | 2 bits | Bit 5 | 00h | 0h | 0b | LINEOUT1P_MUTE = 0 LINEOUT1N_MUTE = 0 (delay = 0.5625ms) |
| 33 (21h) | R30 (1Eh) | 2 bits | Bit 1 | 00h | 0h | 1b | LINEOUT2P_MUTE = 0 LINEOUT2N_MUTE = 0 (delay = 0.5625ms) |

Table 99 Line Output Start-Up Default Sequence

Speaker and Headphone Fast Shut-Down

The Speaker and Headphone Fast Shut-Down sequence can be initiated by writing 0122h to Register 73 (49h). This single operation starts the Control Write Sequencer at Index Address 34 (22h) and executes the sequence defined in Table 100.

This sequence takes approximately 37ms to run.

| WSEQ INDEX | REGISTER ADDRESS | WIDTH | START | DATA | DELAY | EOS | DESCRIPTION |
|------------|------------------|--------|--------|------|-------|-----|--|
| 34 (22h) | R96 (60h) | 7 bits | Bit 1 | 00h | 0h | 0b | HPOUT1R_DLY = 0 HPOUT1R_OUTP = 0 HPOUT1R_RMV_SHORT = 0 HPOUT1L_DLY = 0 HPOUT1L_OUTP = 0 HPOUT1L_RMV_SHORT = 0 (delay = 0.5625ms) |
| 35 (23h) | R84 (54h) | 2 bits | Bit 0 | 00h | 0h | 0b | DCS_ENA_CHAN_0 = 0 DCS_ENA_CHAN_1 = 0 (delay = 0.5625ms) |
| 36 (24h) | R1 (01h) | 2 bits | Bit 8 | 00h | 0h | 0b | HPOUT1R_ENA = 0 HPOUT1L_ENA = 0 (delay = 0.5625ms) |
| 37 (25h) | R76 (4Ch) | 1 bit | Bit 15 | 00h | 0h | 0b | CP_ENA = 0 (delay = 0.5625ms) |
| 38 (26h) | R1 (01h) | 2 bits | Bit 12 | 00h | 0h | 0b | SPKOUTL_ENA = 0 SPKOUTR_ENA = 0 (delay = 0.5625ms) |
| 39 (27h) | R57 (39h) | 6 bits | Bit 1 | 37h | 0h | 0b | BIAS_SRC = 1 STARTUP_BIAS_ENA = 1 VMID_BUF_ENA = 1 VMID_RAMP[1:0] = 11b (delay = 0.5625ms) |
| 40 (28h) | R1 (01h) | 3 bits | Bit 0 | 00h | 9h | 0b | BIAS_ENA = 0 VMID_SEL = 00b (delay = 32.5ms) |
| 41 (29h) | R57 (39h) | 6 bits | Bit 1 | 00h | 0h | 1b | BIAS_SRC = 0 STARTUP_BIAS_ENA = 0 VMID_BUF_ENA = 0 VMID_RAMP[1:0] = 00b (delay = 0.5625ms) |

Table 100 Speaker and Headphone Fast Shut-Down Default Sequence

Generic Shut-Down

The Generic Shut-Down sequence can be initiated by writing 012Ah to Register 73 (49h). This single operation starts the Control Write Sequencer at Index Address 42 (2Ah) and executes the sequence defined in Table 101.

This sequence takes approximately 522ms to run.

| WSEQ INDEX | REGISTER ADDRESS | WIDTH | START | DATA | DELAY | EOS | DESCRIPTION |
|------------|------------------|--------|--------|------|-------|-----|--|
| 42 (2Ah) | R31 (1Fh) | 1 bit | Bit 5 | 01h | 0h | 0b | HPOUT2_MUTE = 1 (delay = 0.5625ms) |
| 43 (2Bh) | R30 (1Eh) | 6 bits | Bit 1 | 33h | 0h | 0b | LINEOUT2P_MUTE = 1 LINEOUT2N_MUTE = 1 LINEOUT1P_MUTE = 1 LINEOUT1N_MUTE = 1 (delay = 0.5625ms) |
| 44 (2Ch) | R96 (60h) | 7 bits | Bit 1 | 00h | 0h | 0b | HPOUT1R_DLY = 0 HPOUT1R_OUTP = 0 HPOUT1R_RMV_SHORT = 0 HPOUT1L_DLY = 0 HPOUT1L_OUTP = 0 HPOUT1L_RMV_SHORT = 0 (delay = 0.5625ms) |
| 45 (2Dh) | R84 (54h) | 2 bits | Bit 0 | 00h | 0h | 0b | DCS_ENA_CHAN_0 = 0 DCS_ENA_CHAN_1 = 0 (delay = 0.5625ms) |
| 46 (2Eh) | R1 (01h) | 2 bits | Bit 8 | 00h | 0h | 0b | HPOUT1R_ENA = 0 HPOUT1L_ENA = 0 (delay = 0.5625ms) |
| 47 (2Fh) | R76 (4Ch) | 1 bit | Bit 15 | 00h | 0h | 0b | CP_ENA = 0 (delay = 0.5625ms) |
| 48 (30h) | R1 (01h) | 2 bits | Bit 12 | 00h | 0h | 0b | SPKOUTL_ENA = 0 SPKOUTR_ENA = 0 (delay = 0.5625ms) |
| 49 (31h) | R57 (39h) | 6 bits | Bit 1 | 17h | 0h | 0b | BIAS_SRC = 1 STARTUP_BIAS_ENA = 1 VMID_BUF_ENA = 1 VMID_RAMP[1:0] = 01b (delay = 0.5625ms) |
| 50 (32h) | R1 (01h) | 3 bits | Bit 0 | 00h | Dh | 0b | BIAS_ENA = 0 VMID_SEL = 00b (delay = 512.5ms) |
| 51 (33h) | R1 (01h) | 1 bit | Bit 11 | 00h | 0h | 0b | HPOUT2_ENA = 0 (delay = 0.5625ms) |
| 52 (34h) | R56 (38h) | 2 bits | Bit 4 | 03h | 0h | 0b | LINEOUT2_DISCH = 1 LINEOUT1_DISCH = 1 (delay = 0.5625ms) |
| 53 (35h) | R55 (37h) | 1 bit | Bit 0 | 01h | 0h | 0b | VROI = 1 (delay = 0.5625ms) |
| 54 (36h) | R56 (38h) | 1 bit | Bit 6 | 00h | 0h | 0b | HPOUT2_IN_ENA = 0 (delay = 0.5625ms) |

| WSEQ INDEX | REGISTER ADDRESS | WIDTH | START | DATA | DELAY | EOS | DESCRIPTION |
|------------|------------------|--------|--------|------|-------|-----|--|
| 55 (37h) | R3 (03h) | 4 bits | Bit 10 | 00h | 0h | 0b | LINEOUT2P_ENA = 0 LINEOUT2N_ENA = 0 LINEOUT1P_ENA = 0 LINEOUT1N_ENA = 0 (delay = 0.5625ms) |
| 56 (38h) | R56 (38h) | 1 bit | Bit 7 | 00h | 0h | 0b | LINEOUT_VMID_BUF_ENA = 0 (delay = 0.5625ms) |
| 57 (39h) | R55 (37h) | 1 bit | Bit 0 | 00h | 0h | 0b | VROI = 0 (delay = 0.5625ms) |
| 58 (3Ah) | R57 (39h) | 6 bits | Bit 1 | 00h | 0h | 1b | BIAS_SRC = 0 STARTUP_BIAS_ENA = 0 VMID_BUF_ENA = 0 VMID_RAMP[1:0] = 00b (delay = 0.5625ms) |

Table 101 Generic Shut-Down Default Sequence

POP SUPPRESSION CONTROL

The WM8993 incorporates a number of features, including SilentSwitch™ technology, designed to suppress pops normally associated with Start-Up, Shut-Down or signal path control. To achieve maximum benefit from these features, careful attention is required to the sequence and timing of these controls. Note that, under the recommended usage conditions of the WM8993, these features will be configured by running the default Start-Up and Shut-Down sequences as described in the “Control Write Sequencer” section. In these cases, the user does not need to set these register fields directly.

The Pop Suppression controls relating to the Headphone / Line Output drivers are described in the “Output Signal Path” section.

Additional bias controls, also pre-programmed into Control Write Sequencer, are described in the “Reference Voltages and Master Bias” section.

DISABLED LINE OUTPUT CONTROL

The line outputs are biased to VMID in normal operation. In order to avoid audible pops caused by a disabled signal path dropping to AGND, the WM8993 can maintain these connections at VMID when the relevant output stage is disabled. This is achieved by connecting a buffered VMID reference to the output. The buffered VMID reference is enabled by setting VMID_BUF_ENA. The output resistance can be either 1000Ω or 20kΩ, depending on the VROI register bit.

| REGISTER ADDRESS | BIT | LABEL | DEFAULT | DESCRIPTION |
|---------------------------------|-----|--------------|---------|--|
| R55 (37h) Additional Control | 0 | VROI | 0 | Buffered VMID to Analogue Line Output Resistance (Disabled Outputs) 0 = 20kΩ from buffered VMID to output 1 = 1000Ω from buffered VMID to output |
| R57 (39h) AntiPOP2 | 3 | VMID_BUF_ENA | 0 | VMID Buffer Enable 0 = Disabled 1 = Enabled |

Table 102 Disabled Line Output Control

LINE OUTPUT DISCHARGE CONTROL

The line output paths can be actively discharged to AGND through internal resistors if desired. This is desirable at start-up in order to achieve a known output stage condition prior to enabling the soft-start VMID reference voltage. This is also desirable in shut-down to prevent the external connections from being affected by the internal circuits. The line outputs LINEOUT1P and LINEOUT1N are discharged to AGND by setting LINEOUT1_DISCH. The line outputs LINEOUT2P and LINEOUT2N are discharged to AGND by setting LINEOUT2_DISCH.

| REGISTER ADDRESS | BIT | LABEL | DEFAULT | DESCRIPTION |
|-----------------------|-----|----------------|---------|--|
| R56 (38h) AntiPOP1 | 5 | LINEOUT1_DISCH | 0 | Discharges LINEOUT1P and LINEOUT1N outputs via approx 4kΩ resistor 0 = Not active 1 = Actively discharging LINEOUT1P and LINEOUT1N |
| | 4 | LINEOUT2_DISCH | 0 | Discharges LINEOUT2P and LINEOUT2N outputs via approx 4kΩ resistor 0 = Not active 1 = Actively discharging LINEOUT2P and LINEOUT2N |

Table 103 Line Output Discharge Control

VMID REFERENCE DISCHARGE CONTROL

The VMID reference can be actively discharged to AGND through internal resistors. This is desirable at start-up in order to achieve a known initial condition prior to enabling the soft-start VMID reference; this ensures maximum suppression of audible pops associated with start-up. VMID is discharged by setting VMID_DISCH.

| REGISTER ADDRESS | BIT | LABEL | DEFAULT | DESCRIPTION |
|-----------------------|-----|------------|---------|--|
| R57 (39h) AntiPOP2 | 0 | VMID_DISCH | 0 | Connects VMID to ground 0 = Disabled 1 = Enabled |

Table 104 VMID Reference Discharge Control

INPUT VMID CLAMPS

The analogue inputs can be clamped to Vmid using the INPUTS_CLAMP bit described below. This allows pre-charging of the input AC coupling capacitors during power-up, avoiding long delays when using headphone bypass paths. Note that all eight inputs are clamped using the same control bit.

| REGISTER ADDRESS | BIT | LABEL | DEFAULT | DESCRIPTION |
|------------------------|-----|--------------|---------|---|
| R21 (15h) Input Clamps | 6 | INPUTS_CLAMP | 0 | Input pad VMID clamp 0 = Clamp de-activated 1 = Clamp activated |

Table 105 Input VMID Clamps

REFERENCE VOLTAGES AND MASTER BIAS

This section describes the analogue reference voltage and bias current controls. It also describes the VMID soft-start circuit for pop suppressed start-up and shut-down. Note that, under the recommended usage conditions of the WM8993, these features will be configured by running the default Start-Up and Shut-Down sequences as described in the "Control Write Sequencer" section. In these cases, the user does not need to set these register fields directly.

The analogue circuits in the WM8993 require a mid-rail analogue reference voltage, VMID. This reference is generated from AVDD1 via a programmable resistor chain. Together with the external VMID decoupling capacitor, the programmable resistor chain determines the charging characteristic on VMID. This is controlled by VMID_SEL[1:0], and can be used to optimise the reference for normal operation or low power standby as described in Table 106.

The analogue circuits in the WM8993 require a bias current. The normal bias current is enabled by setting BIAS_ENA. Note that the normal bias current source requires VMID to be enabled also.

| REGISTER ADDRESS | BIT | LABEL | DEFAULT | DESCRIPTION |
|----------------------------------|-----|----------------|---------|--|
| R1 (01h) Power Management (1) | 2:1 | VMID_SEL [1:0] | 00 | VMID Divider Enable and Select 00 = VMID disabled (for OFF mode) 01 = 2 x 40kΩ divider (for normal operation) 10 = 2 x 240kΩ divider (for low power standby) 11 = Reserved |
| | 0 | BIAS_ENA | 0 | Enables the Normal bias current generator (for all analogue functions) 0 = Disabled 1 = Enabled |

Table 106 Reference Voltages and Master Bias Enable

A pop-suppressed start-up requires VMID to be enabled smoothly, without the step change normally associated with the initial stage of the VMID capacitor charging. A pop-suppressed start-up also requires the analogue bias current to be enabled throughout the signal path prior to the VMID reference voltage being applied. The WM8993 incorporates pop-suppression circuits which address these requirements.

An alternate bias current source (Start-Up Bias) is provided for pop-free start-up; this is enabled by the STARTUP_BIAS_ENA register bit. The start-up bias is selected (in place of the normal bias) using the BIAS_SRC bit. It is recommended that the start-up bias is used during start-up, before switching back to the higher quality, normal bias.

A soft-start circuit is provided in order to control the switch-on of the VMID reference. The soft-start control circuit offers two slew rates for enabling the VMID reference; these are selected and enabled by VMID_RAMP. When the soft-start circuit is enabled prior to enabling VMID_SEL, the reference voltage rises smoothly, without the step change that would otherwise occur. It is recommended that the soft-start circuit and the output signal path be enabled before VMID is enabled by VMID_SEL.

A soft shut-down is provided, using the soft-start control circuit and the start-up bias current generator. The soft shut-down of VMID is achieved by setting VMID_RAMP, STARTUP_BIAS_ENA and BIAS_SRC to select the start-up bias current and soft-start circuit prior to setting VMID_SEL=00.

Note that, if the VMID_RAMP function is enabled for soft start-up or soft shut-down then, after setting VMID_SEL = 00 to disable VMID, the soft-start circuit must be reset before re-enabling VMID. The soft-start circuit is reset by setting VMID_RAMP = 00. After resetting the soft-start circuit, the VMID_RAMP register may be updated to the required setting for the next VMID transition.

The VMID soft-start register controls are defined in Table 107.

| REGISTER ADDRESS | BIT | LABEL | DEFAULT | DESCRIPTION |
|-----------------------|-----|------------------|---------|--|
| R57 (39h) AntiPOP2 | 6:5 | VMID_RAMP [1:0] | 10 | VMID soft start enable / slew rate control 00 = Normal / Slow start 01 = Normal / Fast start 10 = Soft / Slow start 11 = Soft / Fast start If VMID_RAMP = 1X is selected for VMID start-up or shut-down, then the soft-start circuit must be reset by setting VMID_RAMP=00 after VMID is disabled, before VMID is re-enabled. VMID is disabled / enabled using the VMID_SEL register. |
| | 2 | STARTUP_BIAS_ENA | 0 | Enables the Start-Up bias current generator 0 = Disabled 1 = Enabled |
| | 1 | BIAS_SRC | 1 | Selects the bias current source 0 = Normal bias 1 = Start-Up bias |

Table 107 Soft Start Control

POWER MANAGEMENT

The WM8993 has four control registers that allow users to select which functions are active. For minimum power consumption, unused functions should be disabled. To minimise pop or click noise, it is important to enable or disable functions in the correct order. See "Control Write Sequencer" for further details of recommended control sequences.

| REGISTER ADDRESS | BIT | LABEL | DEFAULT | DESCRIPTION |
|---------------------------------|-----|-------------|---------|---|
| R1 (1h) Power Management (1) | 13 | SPKOUTR_ENA | 0B | SPKMIXR Mixer, SPKRVOL PGA and SPKOUTR Output Enable 0 = Disabled 1 = Enabled |
| | 12 | SPKOUTL_ENA | 0b | SPKMIXL Mixer, SPKLVOL PGA and SPKOUTL Output Enable 0 = Disabled 1 = Enabled |
| | 11 | HPOUT2_ENA | 0b | HPOUT2 and HPOUT2MIX Enable 0 = Disabled 1 = Enabled |
| | 9 | HPOUT1L_ENA | 0b | Enables HPOUT1L input stage 0 = Disabled 1 = Enabled For normal operation, this bit should be set as the first step of the HPOUT1L Enable sequence. Note: When HPOUT1_AUTO_PU is set, the HPOUT1L_ENA bit automatically enables all stages of the left headphone driver |

| REGISTER ADDRESS | BIT | LABEL | DEFAULT | DESCRIPTION |
|----------------------------------|-----|-------------------|---------|--|
| | 8 | HPOUT1R_ENA | 0b | Enables HPOUT1R input stage 0 = Disabled 1 = Enabled For normal operation, this bit should be set as the first step of the HPOUT1R Enable sequence. Note: When HPOUT1_AUTO_PU is set, the HPOUT1R_ENA bit automatically enables all stages of the right headphone driver |
| | 5 | MICB2_ENA | 0b | Microphone Bias 2 Enable 0 = OFF (high impedance output) 1 = ON |
| | 4 | MICB1_ENA | 0b | Microphone Bias 1 Enable 0 = OFF (high impedance output) 1 = ON |
| | 2:1 | VMID_SEL [1:0] | 00b | VMID Divider Enable and Select 00 = VMID disabled (for OFF mode) 01 = 2 x 40kΩ divider (Normal mode) 10 = 2 x 240kΩ divider (Standby mode) 11 = Reserved |
| | 0 | BIAS_ENA | 0b | Enables the Normal bias current generator (for all analogue functions) 0 = Disabled 1 = Enabled |
| R2 (02h) Power Management (2) | 14 | TSHUT_ENA | 0b | Thermal Sensor Enable 0 = Disabled 1 = Enabled |
| | 13 | TSHUT_OPDIS | 1b | Thermal Shutdown Control (Causes audio outputs to be disabled if an over-temperature occurs. The thermal sensor must also be enabled.) 0 = Disabled 1 = Enabled |
| | 11 | OPCLK_ENA | 0b | GPIO Clock Output Enable 0 = Disabled 1 = Enabled |
| | 9 | MIXINL_ENA | 0b | Left Input Mixer Enable (Enables MIXINL and RXVOICE input to MIXINL) 0 = Disabled 1 = Enabled |
| | 8 | MIXINR_ENA | 0b | Right Input Mixer Enable (Enables MIXINR and RXVOICE input to MIXINR) 0 = Disabled 1 = Enabled |
| | 7 | IN2L_ENA | 0b | IN2L Input PGA Enable 0 = Disabled 1 = Enabled |
| | 6 | IN1L_ENA | 0b | IN1L Input PGA Enable 0 = Disabled 1 = Enabled |

| REGISTER ADDRESS | BIT | LABEL | DEFAULT | DESCRIPTION |
|-------------------------------------|-----|----------------|---------|---|
| | 5 | IN2R_ENA | 0b | IN2R Input PGA Enable 0 = Disabled 1 = Enabled |
| | 4 | IN1R_ENA | 0b | IN1R Input PGA Enable 0 = Disabled 1 = Enabled |
| | 1 | ADCL_ENA | 0b | Left ADC Enable 0 = ADC disabled 1 = ADC enabled |
| | 0 | ADCR_ENA | 0b | Right ADC Enable 0 = ADC disabled 1 = ADC enabled |
| R3 (03h) Power Management (3) | 13 | LINEOUT1N_ENA | 0b | LINEOUT1N Line Out and LINEOUT1NMIX Enable 0 = Disabled 1 = Enabled |
| | 12 | LINEOUT1P_ENA | 0b | LINEOUT1P Line Out and LINEOUT1PMIX Enable 0 = Disabled 1 = Enabled |
| | 11 | LINEOUT2N_ENA | 0b | LINEOUT2N Line Out and LINEOUT2NMIX Enable 0 = Disabled 1 = Enabled |
| | 10 | LINEOUT2P_ENA | 0b | LINEOUT2P Line Out and LINEOUT2PMIX Enable 0 = Disabled 1 = Enabled |
| | 9 | SPKRVOL_ENA | 0b | SPKMIXR Mixer and SPKRVOL PGA Enable 0 = Disabled 1 = Enabled Note that SPKMIXR and SPKRVOL are also enabled when SPKOUTR_ENA is set. |
| | 8 | SPKLVOL_ENA | 0b | SPKMIXL Mixer and SPKLVOL PGA Enable 0 = Disabled 1 = Enabled Note that SPKMIXL and SPKLVOL are also enabled when SPKOUTL_ENA is set. |
| | 7 | MIXOUTLVOL_ENA | 0b | MIXOUTL Left Volume Control Enable 0 = Disabled 1 = Enabled |
| | 6 | MIXOUTRVOL_ENA | 0b | MIXOUTR Right Volume Control Enable 0 = Disabled 1 = Enabled |
| | 5 | MIXOUTL_ENA | 0b | MIXOUTL Left Output Mixer Enable 0 = Disabled 1 = Enabled |
| | 4 | MIXOUTR_ENA | 0b | MIXOUTR Right Output Mixer Enable 0 = Disabled 1 = Enabled |

| REGISTER ADDRESS | BIT | LABEL | DEFAULT | DESCRIPTION |
|--------------------------------|-----|----------------|---------|--|
| | 1 | DACL_ENA | 0b | Left DAC Enable 0 = DAC disabled 1 = DAC enabled |
| | 0 | DACR_ENA | 0b | Right DAC Enable 0 = DAC disabled 1 = DAC enabled |
| R60 (3Ch) FLL Control 1 | 1 | FLL_OSC_ENA | 0b | FLL Oscillator Enable 0 = FLL disabled 1 = FLL enabled (Note that this field is required for free-running FLL modes only) |
| | 0 | FLL_ENA | 0b | FLL Enable 0 = FLL disabled 1 = FLL enabled |
| R70 (46h) Write Sequencer 0 | 8 | WSEQ_ENA | 0b | Write Sequencer Enable. 0 = Disabled 1 = Enabled |
| R76 (4Ch) Charge Pump 1 | 15 | CP_ENA | 0b | Enable charge-pump digits 0 = disable 1 = enable Note: Default value of R76[14:0] (0x1F25h) must not be changed when enabling/disabling the Charge Pump |
| R84 (54h) DC Servo 0 | 1 | DCS_ENA_CHAN_1 | 0b | DC Servo enable for HPOUT1R 0 = disabled 1 = enabled |
| | 0 | DCS_ENA_CHAN_0 | 0b | DC Servo enable for HPOUT1L 0 = disabled 1 = enabled |
| R98 (62h) EQ 1 | 0 | EQ_ENA | 0b | EQ enable 0 = EQ disabled 1 = EQ enabled |

Table 108 Power Management

POWER ON RESET

The WM8993 includes Power-On Reset (POR) circuits, which are used to reset the digital logic into a default state after power up. The POR circuits derive their output from AVDD1, AVDD2 and DCVDD. The internal POR signal is asserted low when AVDD1, AVDD2 and DCVDD are all below minimum thresholds.

The specific behaviour of the circuit will vary, depending on relative timing of the supply voltages. Typical scenarios are illustrated in Figure 69 and Figure 70.

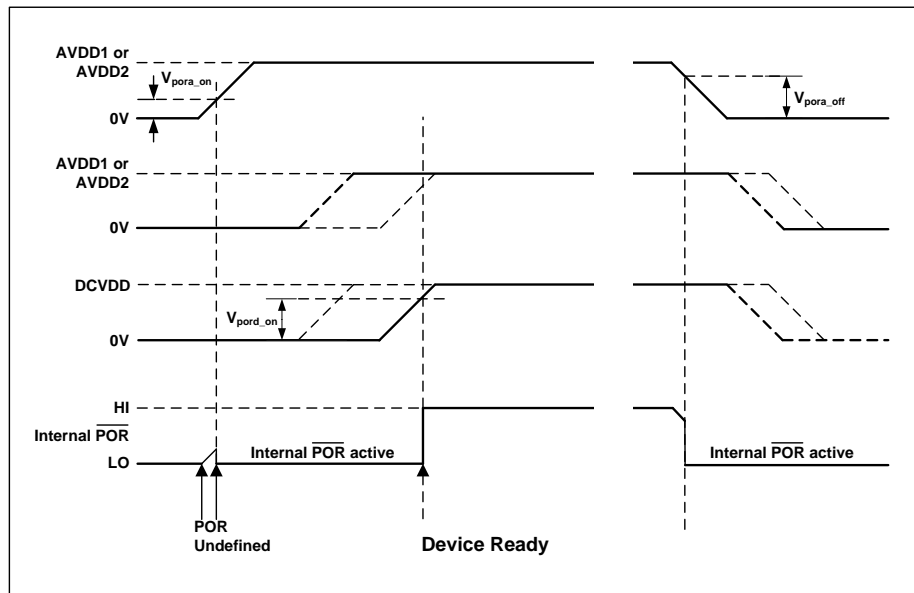


Figure 69 Power On Reset timing – AVDD1/2 enabled first

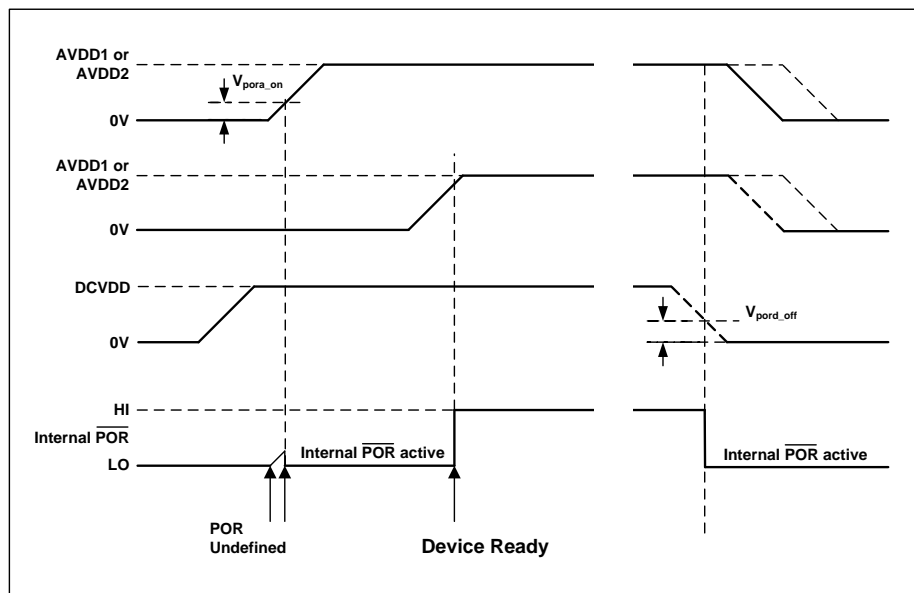


Figure 70 Power On Reset timing - DCVDD enabled first

The POR signal is undefined until AVDD1 or AVDD2 has exceeded the minimum threshold, $V_{\text{pora_on}}$. Once this threshold has been exceeded, POR is asserted low and the chip is held in reset. In this condition, all writes to the control interface are ignored. Once AVDD1, AVDD2 and DCVDD have all reached their respective power on thresholds, POR is released high, all registers are in their default state, and writes to the control interface may take place.

Note that a minimum power-on reset period, T_{POR} , applies even if AVDD1, AVDD2 and DCVDD have zero rise time. (This specification is guaranteed by design rather than test.)

On power down, POR is asserted low when any of AVDD1, AVDD2 or DCVDD falls below their respective power-down thresholds.

Typical Power-On Reset parameters for the WM8993 are defined in Table 109.

| SYMBOL | DESCRIPTION | MIN | TYP | MAX | UNIT |
|------------------------|--------------------------------------|-----|------|-----|------|
| $V_{\text{pora_on}}$ | Power-On threshold (AVDD1 or AVDD2) | | 1.52 | | V |
| $V_{\text{pora_off}}$ | Power-Off threshold (AVDD1 or AVDD2) | | 1.5 | | V |
| $V_{\text{pard_on}}$ | Power-On threshold (DCVDD) | | 0.92 | | V |
| $V_{\text{pard_off}}$ | Power-Off threshold (DCVDD) | | 0.9 | | V |
| T_{POR} | Minimum Power-On Reset period | | 100 | | ns |

Table 109 Typical Power-On Reset parameters

QUICK START-UP AND SHUTDOWN

The default control sequences (see “Control Write Sequencer”) contain only the register writes necessary to enable or disable specific output drivers. It is therefore necessary to configure the signal path and gain settings before commanding any of the default start-up sequences.

This section describes minimum control sequences to configure the WM8993 for DAC to Headphone playback. Note that these sequences are provided for guidance only; application software should be verified and tailored to ensure optimum performance.

Table 110 describes an example control sequence to enable the direct DAC to Headphone path. This involves DAC enable, signal path configuration and mute control, together with the default “Headphone Cold Start-Up” sequence. Table 111 describes an example control sequence to disable the direct DAC to Headphone path. Note that these sequences are provided for guidance only; Application software should be verified and tailored to ensure optimum performance.

| REGISTER | VALUE | DESCRIPTION |
|-----------|-------|--|
| R3 (03h) | 0003h | Enable DACL and DACR |
| R45 (2Dh) | 0100h | Enable path from DACL to HPOUT1L |
| R46 (2Eh) | 0100h | Enable path from DACR to HPOUT1R |
| R73 (49h) | 0100h | Initiate Control Write Sequencer at Index Address 0 (Headphone ‘cold’ Start-Up) |
| | | Delay 300ms Note: Delay must inserted in the sequence to allow the Control Write Sequencer to finish. Any control interface writes to the CODEC will be ignored while the Control Write Sequencer is running. |
| R10 (0Ah) | 0000h | Soft un-mute DAC |

Table 110 DAC to Headphone Direct Start-Up Sequence

| REGISTER | VALUE | DESCRIPTION |
|-----------|-------|--|
| R10 (0Ah) | 0004h | Soft mute DAC |
| R73 (49h) | 012Ah | Initiate Control Write Sequencer at Index Address 42 (Generic Shut-Down) |
| | | Delay 525ms Note: Delay must inserted in the sequence to allow the Control Write Sequencer to finish. Any control interface writes to the CODEC will be ignored while the Control Write Sequencer is running. |
| R45 (2Dh) | 0000h | Disable path from DACL to HPOUT1L |
| R46 (2Eh) | 0000h | Disable path from DACR to HPOUT1R |
| R3 (03h) | 0000h | Disable DACL and DACR |

Table 111 DAC to Headphone Direct Shut-Down Sequence

In both cases, the WSEQ_BUSY bit (in Register R74, see Table 93) will be set to 1 while the Control Write Sequence runs. When this bit returns to 0, the remaining steps of the sequence may be executed. Note that it is also possible to use GPIO or Interrupt functions to confirm the status of the Control Write Sequencer - see “General Purpose Input/Output”.

SOFTWARE RESET AND DEVICE ID

The device ID can be read back from register 0. Writing to this register will reset the device.

The software reset causes most control registers to be reset to their default state. Note that the Control Write Sequencer registers R12288 (3000h) through to R12799 (31FFh) are not affected by a software reset; the Control Sequences defined in these registers are retained unchanged.

| REGISTER ADDRESS | BIT | LABEL | DEFAULT | DESCRIPTION |
|----------------------------|------|--------------------|---------|--|
| R0 (00h) Software Reset | 15:0 | SW_RESET [15:0] | 8993h | Writing to this register resets all registers to their default state. (Note - Control Write Sequencer registers are not affected by Software Reset.) Reading from this register will indicate device family ID 8993h. |

Table 112 Chip Reset and ID

THERMAL SHUTDOWN

The WM8993 incorporates a temperature sensor which detects when the device temperature is within normal limits or if the device is approaching a hazardous temperature condition. The Temp OK flag can be polled at any time, or output directly on the GPIO1 pin, or may be used to generate Interrupt events.

The temperature sensor can be configured to automatically disable the audio outputs of the WM8993 in response to an overtemperature condition (approximately 150°C).

The temperature sensor is enabled by setting the TSHUT_ENA register bit. When the TSHUT_OPDIS is also set, then a device over-temperature condition will cause the speaker outputs (SPKOUTL and SPKOUTR) of the WM8993 to be disabled; this response is likely to prevent any damage to the device attributable to the large currents of the output drivers.

Note that, to prevent pops and clicks, TSHUT_ENA and TSHUT_OPDIS should only be updated whilst the speaker and headphone outputs are disabled.

| REGISTER ADDRESS | BIT | LABEL | DEFAULT | DESCRIPTION |
|-------------------------------------|-----|-------------|---------|---|
| R2 (02h) Power Management (2) | 14 | TSHUT_ENA | 1b | Thermal sensor enable 0 = disabled 1 = enabled |
| | 13 | TSHUT_OPDIS | 1b | Thermal shutdown control (Causes audio outputs to be disabled if an overtemperature occurs. The thermal sensor must also be enabled.) 0 = disabled 1 = enabled |

Table 113 Thermal Shutdown

REGISTER MAP

The WM8993 control registers are listed below. Note that only the register addresses described here should be accessed; writing to other addresses may result in undefined behaviour. Register bits that are not documented should not be changed from the default values.

| REG | NAME | 15 | 14 | 13 | 12 | 11 | 10 | 9 | 8 | 7 | 6 | 5 | 4 | 3 | 2 | 1 | 0 | DEFAULT |
|-----------|--------------------------|-----------------|-------------|---------------|---------------------|-----------------|-------------------|-------------|---------------------|------------------|-------------------|--------------|-------------------|-------------------|----------------|--------------|-------------|---------|
| R0 (0h) | Software Reset | SW_RESET [15:0] | | | | | | | | | | | | | | | | 8993h |
| R1 (1h) | Power Management (1) | 0 | 0 | SPKOUTR_ENA | SPKOUTL_ENA | HPOUT2_ENA | 0 | HPOUT1L_ENA | HPOUT1R_ENA | 0 | 0 | MICB2_ENA | MICB1_ENA | 0 | VMID_SEL [1:0] | | BIAS_ENA | 0000h |
| R2 (2h) | Power Management (2) | 0 | TSHUT_ENA | TSHUT_OPDIS | 0 | OPCLK_ENA | 0 | MIXINL_ENA | MIXINR_ENA | IN2L_ENA | IN1L_ENA | IN2R_ENA | IN1R_ENA | 0 | 0 | ADCL_ENA | ADCR_ENA | 6000h |
| R3 (3h) | Power Management (3) | 0 | 0 | LINEOUT1N_ENA | LINEOUT1P_ENA | LINEOUT2N_ENA | LINEOUT2P_ENA | SPKRVOL_ENA | SPKLVOL_ENA | MIXOUTLVLVOL_ENA | MIXOUTRVOLVOL_ENA | MIXOUTL_ENA | MIXOUTR_ENA | 0 | 0 | DACL_ENA | DACR_ENA | 0000h |
| R4 (4h) | Audio Interface (1) | AIFADCL_SRC | AIFADCR_SRC | AIFADC_TDM | AIFADC_TDM_CHAN | 0 | 0 | BCLK_DIR | AIF_BCLK_INV | AIF_LRCLK_INV | AIF_WL [1:0] | | AIF_FMT [1:0] | | 0 | 0 | 0 | 4050h |
| R5 (5h) | Audio Interface (2) | AIFADCL_SRC | AIFADCR_SRC | AIFADC_TDM | AIFADC_TDM_CHAN | DAC_BOOST [1:0] | | 0 | 0 | 0 | 0 | 0 | DAC_COMP | DAC_COMP_ODE | ADC_COMP | ADC_COMP_ODE | LOOPBACK | 4000h |
| R6 (6h) | Clocking 1 | TOCLK_RATE | TOCLK_ENA | 0 | OPCLK_DIV [3:0] | | | | DCLK_DIV [2:0] | | | 0 | BCLK_DIV [3:0] | | | 0 | 01C8h | |
| R7 (7h) | Clocking 2 | MCLK_SRC | SYSCLK_SRC | 0 | MCLK_DIV | 0 | MCLK_INV | 0 | 0 | ADC_DIV [2:0] | | | DAC_DIV [2:0] | | 0 | 0 | 0000h | |
| R8 (8h) | ADCLRC Generation | AIF_MSTR1 | 0 | 0 | 0 | 0 | 0 | 0 | 0 | 0 | 0 | 0 | 0 | 0 | 0 | 0 | 0 | 0000h |
| R9 (9h) | DACLRC Generation | 0 | 0 | AIF_TDRIS | 0 | LRCLK_DIR | LRCLK_RATE [10:0] | | | | | | | | | | 0040h | |
| R10 (Ah) | DAC CTRL | 0 | 0 | DAC_OSR128 | 0 | 0 | 0 | DAC_MONO | DAC_SB_FILTER | DAC_MUTE_RATE | DAC_UNMUTE_RATE | DEEMPH [1:0] | | 0 | DAC_MUTE | DACL_DATINV | DACR_DATINV | 0004h |
| R11 (Bh) | Left DAC Digital Volume | 0 | 0 | 0 | 0 | 0 | 0 | 0 | DAC_VU | DACL_VOL [7:0] | | | | | | | 00C0h | |
| R12 (Ch) | Right DAC Digital Volume | 0 | 0 | 0 | 0 | 0 | 0 | 0 | DAC_VU | DACR_VOL [7:0] | | | | | | | 00C0h | |
| R13 (Dh) | Digital Side Tone | 0 | 0 | 0 | ADCL_DAC_SVOL [3:0] | | | | ADCR_DAC_SVOL [3:0] | | | 0 | ADC_TO_DACL [1:0] | ADC_TO_DACR [1:0] | | 0000h | | |
| R14 (Eh) | ADC CTRL | 0 | 0 | 0 | 0 | 0 | 0 | ADC_OSR128 | ADC_HPF | 0 | ADC_HPF_CUT [1:0] | | 0 | 0 | 0 | ADCL_DATINV | ADCR_DATINV | 0300h |
| R15 (Fh) | Left ADC Digital Volume | 0 | 0 | 0 | 0 | 0 | 0 | 0 | ADC_VU | ADCL_VOL [7:0] | | | | | | | 00C0h | |
| R16 (10h) | Right ADC Digital Volume | 0 | 0 | 0 | 0 | 0 | 0 | 0 | ADC_VU | ADCR_VOL [7:0] | | | | | | | 00C0h | |
| R18 (12h) | GPIO CTRL 1 | JD2_SC_EINT | JD2_EINT | WSEQ_EINT | IRQ | TEMP_OK_EINT | JD1_SC_EINT | JD1_EINT | FLL_LOCK_EINT | GPI8_EINT | GPI7_EINT | 0 | 0 | 0 | 0 | 0 | GPIO1_EINT | 0000h |
| R19 (13h) | GPIO1 & GPIO2 | 0 | 0 | 0 | 0 | 0 | 0 | 0 | 0 | 0 | 0 | GPIO1_PU | GPIO1_PD | GPIO1_SEL [3:0] | | | 0010h | |
| R20 (14h) | IRQ_DEBOUNCE | JD2_SC_DB | JD2_DB | WSEQ_DB | 0 | TEMP_OK_DB | JD1_SC_DB | JD1_DB | FLL_LOCK_DB | GPI8_DB | 0 | 0 | 0 | GPI7_DB | 0 | 0 | GPIO1_DB | 0000h |

| REG | NAME | 15 | 14 | 13 | 12 | 11 | 10 | 9 | 8 | 7 | 6 | 5 | 4 | 3 | 2 | 1 | 0 | DEFAULT |
|-----------|-----------------------------|------------|---------|-------------|----------------|-----------------|----------------|-------------|------------------|---------------|----------------------|------------------------|------------------------|----------------------|------------------------|------------------------|------------------------|---------|
| R21 (15h) | Input Mixer1 | 0 | 0 | 0 | 0 | 0 | 0 | 0 | 0 | 0 | INPUT_S_CLAMP | 0 | 0 | 0 | 0 | 0 | 0 | 0000h |
| R22 (16h) | GPIOCTRL 2 | 1 | 0 | IM_JD2_EINT | IM_JD2_SC_EINT | IM_TE_MPOK_EINT | IM_JD1_SC_EINT | IM_JD1_EINT | IM_FLL_LOCK_EINT | 0 | IM_GPI8_EINT | IM_GPI01_EINT | GPI8_ENA | 0 | IM_GPI7_EINT | IM_WS_EQ_EINT | GPI7_ENA | 8000h |
| R23 (17h) | GPIO_POL | JD2_SC_POL | JD2_POL | WSEQ_POL | IRQ_POL | TEMP_OK_POL | JD1_SC_POL | JD1_POL | FLL_LOCK_POL | GPI8_POL | GPI7_POL | 0 | 0 | 0 | 0 | 0 | GPI01_POL | 0800h |
| R24 (18h) | Left Line Input 1&2 Volume | 0 | 0 | 0 | 0 | 0 | 0 | 0 | IN1_VU | IN1L_MUTE | IN1L_ZC | 0 | IN1L_VOL [4:0] | | | | 008Bh | |
| R25 (19h) | Left Line Input 3&4 Volume | 0 | 0 | 0 | 0 | 0 | 0 | 0 | IN2_VU | IN2L_MUTE | IN2L_ZC | 0 | IN2L_VOL [4:0] | | | | 008Bh | |
| R26 (1Ah) | Right Line Input 1&2 Volume | 0 | 0 | 0 | 0 | 0 | 0 | 0 | IN1_VU | IN1R_MUTE | IN1R_ZC | 0 | IN1R_VOL [4:0] | | | | 008Bh | |
| R27 (1Bh) | Right Line Input 3&4 Volume | 0 | 0 | 0 | 0 | 0 | 0 | 0 | IN2_VU | IN2R_MUTE | IN2R_ZC | 0 | IN2R_VOL [4:0] | | | | 008Bh | |
| R28 (1Ch) | Left Output Volume | 0 | 0 | 0 | 0 | 0 | 0 | 0 | HPOUT1_VU | HPOUT1L_ZC | HPOUT1L_MUTE_N | HPOUT1L_VOL [5:0] | | | | | 006Dh | |
| R29 (1Dh) | Right Output Volume | 0 | 0 | 0 | 0 | 0 | 0 | 0 | HPOUT1_VU | HPOUT1R_ZC | HPOUT1R_MUTE_N | HPOUT1R_VOL [5:0] | | | | | 006Dh | |
| R30 (1Eh) | Line Outputs Volume | 0 | 0 | 0 | 0 | 0 | 0 | 0 | 0 | 0 | LINEOUT1N_MUTE | LINEOUT1P_MUTE | LINEOUT1_VOL | 0 | LINEOUT2N_MUTE | LINEOUT2P_MUTE | LINEOUT2_VOL | 0066h |
| R31 (1Fh) | HPOUT2 Volume | 0 | 0 | 0 | 0 | 0 | 0 | 0 | 0 | 0 | HPOUT2_MUTE | HPOUT2_VOL | 0 | 0 | 0 | 0 | 0 | 0020h |
| R32 (20h) | Left OPGA Volume | 0 | 0 | 0 | 0 | 0 | 0 | 0 | MIXOUT_T_VU | MIXOUTL_ZC | MIXOUTL_MUTE_N | MIXOUTL_VOL [5:0] | | | | | 0079h | |
| R33 (21h) | Right OPGA Volume | 0 | 0 | 0 | 0 | 0 | 0 | 0 | MIXOUT_T_VU | MIXOUTR_ZC | MIXOUTR_MUTE_N | MIXOUTR_VOL [5:0] | | | | | 0079h | |
| R34 (22h) | SPKMIXL Attenuation | 0 | 0 | 0 | 0 | 0 | 0 | 0 | 0 | 0 | MIXINL_SPKMIXL_VOL | IN1LP_SPKMIXL_VOL | MIXOUTL_SPKMIXL_VOL | DACTL_SPKMIXL_VOL | SPKMIXL_VOL [1:0] | | 0003h | |
| R35 (23h) | SPKMIXR Attenuation | 0 | 0 | 0 | 0 | 0 | 0 | 0 | SPKOUT_ASSAB_MOD | 0 | 0 | MIXINR_SPKMIXR_VOL | IN1RP_SPKMIXR_VOL | MIXOUTR_SPKMIXR_VOL | DACR_SPKMIXR_VOL | SPKMIXR_VOL [1:0] | | 0003h |
| R36 (24h) | SPKOUT Mixers | 0 | 0 | 0 | 0 | 0 | 0 | 0 | 0 | 0 | IN2LP_TO_SPKMIXL_UTL | SPKMIXL_TO_SPKMIXL_UTL | SPKMIXL_TO_SPKMIXL_UTL | IN2LP_TO_SPKMIXR_UTL | SPKMIXR_TO_SPKMIXR_UTL | SPKMIXR_TO_SPKMIXR_UTL | SPKMIXL_TO_SPKMIXR_UTL | 0011h |
| R37 (25h) | ClassD3 | 0 | 0 | 0 | 0 | 0 | 0 | 0 | 0 | 0 | SPKOUTL_BOOST [2:0] | | SPKOUTR_BOOST [2:0] | | | | 0000h | |
| R38 (26h) | Speaker Volume Left | 0 | 0 | 0 | 0 | 0 | 0 | 0 | SPKOUTL_VU | SPKOUTL_ZC | SPKOUTL_MUTE_N | SPKOUTL_VOL [5:0] | | | | | 0079h | |
| R39 (27h) | Speaker Volume Right | 0 | 0 | 0 | 0 | 0 | 0 | 0 | SPKOUTR_VU | SPKOUTR_ZC | SPKOUTR_MUTE_N | SPKOUTR_VOL [5:0] | | | | | 0079h | |
| R40 (28h) | Input Mixer2 | 0 | 0 | 0 | 0 | 0 | 0 | 0 | 0 | IN2LP_TO_IN2L | IN2LN_TO_IN2L | IN1LP_TO_IN1L | IN1LN_TO_IN1L | IN2RP_TO_IN2R | IN2RN_TO_IN2R | IN1RP_TO_IN1R | IN1RN_TO_IN1R | 0000h |

| REG | NAME | 15 | 14 | 13 | 12 | 11 | 10 | 9 | 8 | 7 | 6 | 5 | 4 | 3 | 2 | 1 | 0 | DEFAULT |
|-----------|--------------------|----|----|----|----|----------------------------|----|----------------------------|---------------------------|----------------------------------|-----------------------------------|-----------------------------------|----------------------------------|----------------------------------|----------------------------------|-------------------------------|-----------------------------------|---------|
| R41 (29h) | Input Mixer3 | 0 | 0 | 0 | 0 | 0 | 0 | 0 | IN2L_T O_MIXI NL | IN2L_ MIXINL _VOL | 0 | IN1L_T O_MIXI NL | IN1L_ MIXINL _VOL | 0 | MIXOUTL_MIXINL_VOL [2:0] | | 0000h | |
| R42 (2Ah) | Input Mixer4 | 0 | 0 | 0 | 0 | 0 | 0 | 0 | IN2R_ TO_MI XINR | IN2R_ MIXIN R_VOL | 0 | IN1R_ TO_MI XINR | IN1R_ MIXIN R_VOL | 0 | MIXOUTR_MIXINR_VOL [2:0] | | 0000h | |
| R43 (2Bh) | Input Mixer5 | 0 | 0 | 0 | 0 | 0 | 0 | 0 | IN1LP_MIXINL_VOL [2:0] | | 0 | 0 | 0 | IN2LP_MIXINL_VOL [2:0] | | 0000h | | |
| R44 (2Ch) | Input Mixer6 | 0 | 0 | 0 | 0 | 0 | 0 | 0 | IN1RP_MIXINR_VOL [2:0] | | 0 | 0 | 0 | IN2LP_MIXINR_VOL [2:0] | | 0000h | | |
| R45 (2Dh) | Output Mixer1 | 0 | 0 | 0 | 0 | 0 | 0 | 0 | DACL_ TO_HP OUT1L | MIXIN R_TO_ MIXOU TL | MIXINL _TO_M IXOUT L | IN2RN _TO_M IXOUT L | IN2LN_ _TO_MI XOUTL | IN1R_ _TO_MI XOUTL | IN1L_T O_MIX OUTL | IN2LP_ _TO_MI XOUTL | DACL_ _TO_MI XOUTL | 0000h |
| R46 (2Eh) | Output Mixer2 | 0 | 0 | 0 | 0 | 0 | 0 | 0 | DACR_ TO_HP OUT1R | MIXINL _TO_M IXOUT R | MIXIN R_TO_ MIXOU TR | IN2LN_ _TO_MI XOUT R | IN2RN_ _TO_M IXOUT R | IN1L_T O_MIX OUTR | IN1R_ _TO_MI XOUT R | IN2RP_ _TO_M IXOUT R | DACR_ _TO_MI XOUT R | 0000h |
| R47 (2Fh) | Output Mixer3 | 0 | 0 | 0 | 0 | IN2LP_MIXOUTL_VOL [2:0] | | IN2LN_MIXOUTL_VOL [2:0] | | IN1R_MIXOUTL_VOL [2:0] | | IN1L_MIXOUTL_VOL [2:0] | | | | 0000h | | |
| R48 (30h) | Output Mixer4 | 0 | 0 | 0 | 0 | IN2RP_MIXOUTR_VOL [2:0] | | IN2RN_MIXOUTR_VOL [2:0] | | IN1L_MIXOUTR_VOL [2:0] | | IN1R_MIXOUTR_VOL [2:0] | | | | 0000h | | |
| R49 (31h) | Output Mixer5 | 0 | 0 | 0 | 0 | DACL_MIXOUTL_VOL [2:0] | | IN2RN_MIXOUTL_VOL [2:0] | | MIXINR_MIXOUTL_VOL [2:0] | | MIXINL_MIXOUTL_VOL [2:0] | | | | 0000h | | |
| R50 (32h) | Output Mixer6 | 0 | 0 | 0 | 0 | DACR_MIXOUTR_VOL [2:0] | | IN2LN_MIXOUTR_VOL [2:0] | | MIXINL_MIXOUTR_VOL [2:0] | | MIXINR_MIXOUTR_VOL [2:0] | | | | 0000h | | |
| R51 (33h) | HPOUT2 Mixer | 0 | 0 | 0 | 0 | 0 | 0 | 0 | 0 | 0 | 0 | IN2LR P_TO_ HPOU T2 | MIXOU TLVOL _TO_H POUT2 | MIXOU TRVOL _TO_H POUT2 | 0 | 0 | 0 | 0000h |
| R52 (34h) | Line Mixer1 | 0 | 0 | 0 | 0 | 0 | 0 | 0 | 0 | 0 | MIXOU TL_TO_ _LINE OUT1N | MIXOU TR_TO_ _LINE OUT1N | LINEO UT1_M ODE | 0 | IN1R_ TO_LI NEOU T1P | IN1L_T O_LIN EOUT1 P | MIXOU TL_TO_ _LINE OUT1P | 0000h |
| R53 (35h) | Line Mixer2 | 0 | 0 | 0 | 0 | 0 | 0 | 0 | 0 | 0 | MIXOU TR_TO_ _LINE OUT2N | MIXOU TL_TO_ _LINE OUT2N | LINEO UT2_M ODE | 0 | IN1L_T O_LIN EOUT2 P | IN1R_ TO_LI NEOU T2P | MIXOU TR_TO_ _LINE OUT2P | 0000h |
| R54 (36h) | Speaker Mixer | 0 | 0 | 0 | 0 | 0 | 0 | 0 | SPKAB _REF_ SEL | MIXINL _TO_S PKMIX L | MIXIN R_TO_ SPKMI XR | IN1LP_ _TO_SP KMIXL | IN1RP_ _TO_S PKMIX R | MIXOU TL_TO_ _SPKMI IXL | MIXOU TR_TO_ _SPKMI IXR | DACL_ _TO_SP KMIXL | DACR_ _TO_SP KMIXR | 0000h |
| R55 (37h) | Additional Control | 0 | 0 | 0 | 0 | 0 | 0 | 0 | 0 | LINEO UT1_F B | LINEO UT2_F B | 0 | 0 | 0 | 0 | 0 | VROI | 0000h |
| R56 (38h) | AntiPOP1 | 0 | 0 | 0 | 0 | 0 | 0 | 0 | 0 | LINEO UT_VM ID_BU F_ENA | HPOU T2_IN_ ENA | LINEO UT1_D ISCH | LINEO UT2_D ISCH | 0 | 0 | 0 | 0 | 0000h |
| R57 (39h) | AntiPOP2 | 0 | 0 | 0 | 0 | 0 | 0 | 0 | 0 | 0 | VMID_RAMP [1:0] | 0 | VMID_ BUF_E NA | START UP_BI AS_EN A | BIAS_ SRC | VMID_ DISCH | 0000h | |
| R58 (3Ah) | MICBIAS | 0 | 0 | 0 | 0 | 0 | 0 | 0 | 0 | JD_SCTHR [1:0] | JD_THR [2:0] | | JD_EN A | MICB2 _LVL | MICB1 _LVL | 0000h | | |
| R60 (3Ch) | FLL Control 1 | 0 | 0 | 0 | 0 | 0 | 0 | 0 | 0 | 0 | 0 | 0 | FLL_F RAC | FLL_O SC_EN A | FLL_E NA | 0000h | | |
| R61 (3Dh) | FLL Control 2 | 0 | 0 | 0 | 0 | FLL_OUTDIV [2:0] | | 0 | 0 | 0 | 0 | 0 | FLL_FRATIO [2:0] | | 0000h | | | |

| REG | NAME | 15 | 14 | 13 | 12 | 11 | 10 | 9 | 8 | 7 | 6 | 5 | 4 | 3 | 2 | 1 | 0 | DEFAULT |
|------------|---------------------|------------------------|-----------------------|--------------------------|--------------------------|------------------------|-------------------|---------------------------|---------------------------|-----------------------------|---------------------------|-----------------------------|-----------------------------|-----------------------------|----------------------------|------------------------|------------------------|---------|
| R62 (3Eh) | FLL Control 3 | FLL_K [15:0] | | | | | | | | | | | | | | | 0000h | |
| R63 (3Fh) | FLL Control 4 | 0 | FLL_N [9:0] | | | | | | | | | | 0 | 0 | 0 | 0 | 0 | 2E0h |
| R64 (40h) | FLL Control 5 | 0 | 0 | 0 | FLL_FRC_NCO_VAL [5:0] | | | | | FLL_FRC_NCO | 0 | FLL_CLK_REF_DIV [1:0] | 0 | FLL_CLK_SRC [1:0] | | | | 0002h |
| R65 (41h) | Clocking 3 | 0 | 0 | CLK_DCS_DIV [3:0] | | | SAMPLE_RATE [2:0] | | 0 | 0 | CLK_SYS_RATE [3:0] | | | CLK_DSP_ENA | | | | 2287h |
| R66 (42h) | Clocking 4 | 0 | 0 | 0 | 0 | 0 | 0 | DAC_DIV4 | 0 | 0 | CLK_256K_DIV [5:0] | | | | SR_MODE | | | 025Fh |
| R69 (45h) | Bus Control 1 | 0 | 0 | 0 | 0 | 0 | 0 | 0 | 0 | 0 | 0 | 0 | 0 | 0 | 0 | CLK_SYS_ENA | 0 | 0002h |
| R70 (46h) | Write Sequencer 0 | 0 | 0 | 0 | 0 | 0 | 0 | 0 | WSEQ_ENA | 0 | 0 | 0 | WSEQ_WRITE_INDEX [4:0] | | | | 0000h | |
| R71 (47h) | Write Sequencer 1 | 0 | WSEQ_DATA_WIDTH [2:0] | | WSEQ_DATA_START [3:0] | | | WSEQ_ADDR [7:0] | | | | | | | 0000h | | | |
| R72 (48h) | Write Sequencer 2 | 0 | WSEQ_EOS | 0 | 0 | WSEQ_DELAY [3:0] | | | WSEQ_DATA [7:0] | | | | | | | 0000h | | |
| R73 (49h) | Write Sequencer 3 | 0 | 0 | 0 | 0 | 0 | 0 | WSEQ_ABORT | WSEQ_START | 0 | 0 | WSEQ_START_INDEX [5:0] | | | | 0000h | | |
| R74 (4Ah) | Write Sequencer 4 | 0 | 0 | 0 | 0 | 0 | 0 | 0 | 0 | 0 | 0 | 0 | 0 | 0 | 0 | 0 | WSEQ_BUSY | 0000h |
| R75 (4Bh) | Write Sequencer 5 | 0 | 0 | 0 | 0 | 0 | 0 | 0 | 0 | 0 | WSEQ_CURRENT_INDEX [5:0] | | | | | 0000h | | |
| R76 (4Ch) | Charge Pump 1 | CP_ENA | 0 | 0 | 1 | 1 | 1 | 1 | 1 | 0 | 0 | 1 | 0 | 0 | 1 | 0 | 1 | 1F25h |
| R81 (51h) | Class W 0 | 0 | 0 | 0 | 0 | 0 | 0 | 0 | 0 | 0 | 0 | 0 | 0 | 0 | 1 | 0 | CP_DYN_PWR | 0004h |
| R84 (54h) | DC Servo 0 | 0 | 0 | DCS_T RIG_S NGLE_1 | DCS_T RIG_S NGLE_0 | 0 | 0 | DCS_T RIG_S ERIES_1 | DCS_T RIG_S ERIES_0 | 0 | 0 | DCS_T RIG_S TARTU_P_1 | DCS_T RIG_S TARTU_P_0 | DCS_T RIG_D AC_W_R_1 | DCS_T RIG_D AC_W_R_0 | DCS_E NA_CH AN_1 | DCS_E NA_CH AN_0 | 0000h |
| R85 (55h) | DC Servo 1 | 0 | 0 | 0 | 0 | DCS_SERIES_NO_01 [6:0] | | | | | 0 | DCS_TIMER_PERIOD_01 [3:0] | | | | 054Ah | | |
| R87 (57h) | DC Servo 3 | DCS_DAC_WR_VAL_1 [7:0] | | | | | | | DCS_DAC_WR_VAL_0 [7:0] | | | | | | | 0000h | | |
| R88 (58h) | DC Servo Readback 0 | 0 | 0 | 0 | 0 | 0 | 0 | DCS_CAL_COMPLETE [1:0] | 0 | 0 | DCS_DAC_WR_COMPLETE [1:0] | 0 | 0 | DCS_STARTUP_COMPLETE [1:0] | | | 0000h | |
| R89 (59h) | DC Servo Readback 1 | 0 | 0 | 0 | 0 | 0 | 0 | 0 | 0 | DCS_INTEG_CHAN_1 [7:0] | | | | | | | 0000h | |
| R90 (5Ah) | DC Servo Readback 2 | 0 | 0 | 0 | 0 | 0 | 0 | 0 | 0 | DCS_INTEG_CHAN_0 [7:0] | | | | | | | 0000h | |
| R96 (60h) | Analogue HP 0 | 0 | 0 | 0 | 0 | 0 | 0 | 0 | HPOU_T1_AU TO_PU | HPOU_T1_L_R MV_S HORT | HPOU_T1_L_O UTP | HPOU_T1_L_D LY | 0 | HPOU_T1_R_R MV_S HORT | HPOU_T1_R_O UTP | HPOU_T1_R_D LY | 0 | 0100h |
| R98 (62h) | EQ1 | 0 | 0 | 0 | 0 | 0 | 0 | 0 | 0 | 0 | 0 | 0 | 0 | 0 | 0 | 0 | EQ_ENA | 0000h |
| R99 (63h) | EQ2 | 0 | 0 | 0 | 0 | 0 | 0 | 0 | 0 | 0 | 0 | EQ_B1_GAIN [4:0] | | | | 000Ch | | |
| R100 (64h) | EQ3 | 0 | 0 | 0 | 0 | 0 | 0 | 0 | 0 | 0 | 0 | EQ_B2_GAIN [4:0] | | | | 000Ch | | |
| R101 (65h) | EQ4 | 0 | 0 | 0 | 0 | 0 | 0 | 0 | 0 | 0 | 0 | EQ_B3_GAIN [4:0] | | | | 000Ch | | |
| R102 (66h) | EQ5 | 0 | 0 | 0 | 0 | 0 | 0 | 0 | 0 | 0 | 0 | EQ_B4_GAIN [4:0] | | | | 000Ch | | |

| REG | NAME | 15 | 14 | 13 | 12 | 11 | 10 | 9 | 8 | 7 | 6 | 5 | 4 | 3 | 2 | 1 | 0 | DEFAULT |
|---------------|---------------|-------------------------|--------------|------------------------|----------------------|-------------------------|------------|-----------------------|--------------|---------|---------|-----------------------|------------------|-------------------|----------|-------------------|---------|---------|
| R103 (67h) | EQ6 | 0 | 0 | 0 | 0 | 0 | 0 | 0 | 0 | 0 | 0 | 0 | EQ_B5_GAIN [4:0] | | | | 000Ch | |
| R104 (68h) | EQ7 | EQ_B1_A [15:0] | | | | | | | | | | | | | | | 0FCAh | |
| R105 (69h) | EQ8 | EQ_B1_B [15:0] | | | | | | | | | | | | | | | 0400h | |
| R106 (6Ah) | EQ9 | EQ_B1_PG [15:0] | | | | | | | | | | | | | | | 00D8h | |
| R107 (6Bh) | EQ10 | EQ_B2_A [15:0] | | | | | | | | | | | | | | | 1EB5h | |
| R108 (6Ch) | EQ11 | EQ_B2_B [15:0] | | | | | | | | | | | | | | | F145h | |
| R109 (6Dh) | EQ12 | EQ_B2_C [15:0] | | | | | | | | | | | | | | | 0B75h | |
| R110 (6Eh) | EQ13 | EQ_B2_PG [15:0] | | | | | | | | | | | | | | | 01C5h | |
| R111 (6Fh) | EQ14 | EQ_B3_A [15:0] | | | | | | | | | | | | | | | 1C58h | |
| R112 (70h) | EQ15 | EQ_B3_B [15:0] | | | | | | | | | | | | | | | F373h | |
| R113 (71h) | EQ16 | EQ_B3_C [15:0] | | | | | | | | | | | | | | | 0A54h | |
| R114 (72h) | EQ17 | EQ_B3_PG [15:0] | | | | | | | | | | | | | | | 0558h | |
| R115 (73h) | EQ18 | EQ_B4_A [15:0] | | | | | | | | | | | | | | | 168Eh | |
| R116 (74h) | EQ19 | EQ_B4_B [15:0] | | | | | | | | | | | | | | | F829h | |
| R117 (75h) | EQ20 | EQ_B4_C [15:0] | | | | | | | | | | | | | | | 07ADh | |
| R118 (76h) | EQ21 | EQ_B4_PG [15:0] | | | | | | | | | | | | | | | 1103h | |
| R119 (77h) | EQ22 | EQ_B5_A [15:0] | | | | | | | | | | | | | | | 0564h | |
| R120 (78h) | EQ23 | EQ_B5_B [15:0] | | | | | | | | | | | | | | | 0559h | |
| R121 (79h) | EQ24 | EQ_B5_PG [15:0] | | | | | | | | | | | | | | | 4000h | |
| R122 (7Ah) | Digital Pulls | 0 | 0 | 0 | 0 | 0 | 0 | 0 | 0 | MCLK_PU | MCLK_PD | DACD_AT_PU | DACD_AT_PD | LRCLK_PU | LRCLK_PD | BCLK_PU | BCLK_PD | 0000h |
| R123 (7Bh) | DRC Control 1 | DRC_ENA | DRC_DAC_PATH | 0 | 0 | DRC_SMOOTH_ENA | DRC_QR_ENA | DRC_ANTICLIP_ENA | DRC_HYST_ENA | 0 | 0 | DRC_THRESH_HYST [1:0] | | DRC_MINGAIN [1:0] | | DRC_MAXGAIN [1:0] | | 0F08h |
| R124 (7Ch) | DRC Control 2 | DRC_ATTACK_RATE [3:0] | | | DRC_DECAY_RATE [3:0] | | | DRC_THRESH_COMP [5:0] | | | | | 0 | 0 | 0000h | | | |
| R125 (7Dh) | DRC Control 3 | DRC_AMP_COMP [4:0] | | | | DRC_R0_SLOPE_COMP [2:0] | | DRC_FF_DELAY | 0 | 0 | 0 | DRC_THRESH_QR [1:0] | | DRC_RATE_QR [1:0] | | 0080h | | |
| R126 (7Eh) | DRC Control 4 | DRC_R1_SLOPE_COMP [2:0] | | DRC_STARTUP_GAIN [4:0] | | | | 0 | 0 | 0 | 0 | 0 | 0 | 0 | 0 | 0000h | | |

REGISTER BITS BY ADDRESS

| REGISTER ADDRESS | BIT | LABEL | DEFAULT | DESCRIPTION |
|----------------------------|------|-----------------|-----------------------------|--|
| R0 (00h) Software Reset | 15:0 | SW_RESET [15:0] | 1000_1001 _1001_001 1 | Writing to this register resets all registers to their default state. (Note - Control Write Sequencer registers are not affected by Software Reset.) Reading from this register will indicate device family ID 8993h. |

Register 00h Software Reset

| REGISTER ADDRESS | BIT | LABEL | DEFAULT | DESCRIPTION |
|----------------------------------|-----|----------------|---------|--|
| R1 (01h) Power Management (1) | 13 | SPKOUTR_ENA | 0 | SPKMIXR Mixer, SPKRVOL PGA and SPKOUTR Output Enable 0 = Disabled 1 = Enabled |
| | 12 | SPKOUTL_ENA | 0 | SPKMIXL Mixer, SPKLVOL PGA and SPKOUTL Output Enable 0 = Disabled 1 = Enabled |
| | 11 | HPOUT2_ENA | 0 | HPOUT2 Output Stage Enable 0 = Disabled 1 = Enabled |
| | 9 | HPOUT1L_ENA | 0 | Enables HPOUT1L input stage 0 = Disabled 1 = Enabled For normal operation, this bit should be set as the first step of the HPOUT1L Enable sequence. Note: When HPOUT1_AUTO_PU is set, the HPOUT1L_ENA bit automatically enables all stages of the left headphone driver |
| | 8 | HPOUT1R_ENA | 0 | Enables HPOUT1R input stage 0 = Disabled 1 = Enabled For normal operation, this bit should be set as the first step of the HPOUT1R Enable sequence. Note: When HPOUT1_AUTO_PU is set, the HPOUT1R_ENA bit automatically enables all stages of the right headphone driver |
| | 5 | MICB2_ENA | 0 | Microphone Bias 2 Enable 0 = OFF (high impedance output) 1 = ON |
| | 4 | MICB1_ENA | 0 | Microphone Bias 1 Enable 0 = OFF (high impedance output) 1 = ON |
| | 2:1 | VMID_SEL [1:0] | 00 | VMID Divider Enable and Select 00 = VMID disabled (for OFF mode) 01 = 2 x 40k Ω divider (for normal operation) 10 = 2 x 240k Ω divider (for low power standby) 11 = Reserved |
| | 0 | BIAS_ENA | 0 | Enables the Normal bias current generator (for all analogue functions) 0 = Disabled 1 = Enabled |

Register 01h Power Management (1)

| REGISTER ADDRESS | BIT | LABEL | DEFAULT | DESCRIPTION |
|-------------------------------------|-----|-------------|---------|---|
| R2 (02h) Power Management (2) | 14 | TSHUT_ENA | 1 | Thermal sensor enable 0 = disabled 1 = enabled |
| | 13 | TSHUT_OPDIS | 1 | Thermal shutdown control (Causes audio outputs to be disabled if an overtemperature occurs. The thermal sensor must also be enabled.) 0 = disabled 1 = enabled |
| | 11 | OPCLK_ENA | 0 | GPIO Clock Output Enable 0 = disabled 1 = enabled |
| | 9 | MIXINL_ENA | 0 | Left Input Mixer Enable (Enables MIXINL and RXVOICE input to MIXINL) 0 = Disabled 1 = Enabled |
| | 8 | MIXINR_ENA | 0 | Right Input Mixer Enable (Enables MIXINR and RXVOICE input to MIXINR) 0 = Disabled 1 = Enabled |
| | 7 | IN2L_ENA | 0 | IN2L Input PGA Enable 0 = Disabled 1 = Enabled |
| | 6 | IN1L_ENA | 0 | IN1L Input PGA Enable 0 = Disabled 1 = Enabled |
| | 5 | IN2R_ENA | 0 | IN2R Input PGA Enable 0 = Disabled 1 = Enabled |
| | 4 | IN1R_ENA | 0 | IN1R Input PGA Enable 0 = Disabled 1 = Enabled |
| | 1 | ADCL_ENA | 0 | Left ADC Enable 0 = ADC disabled 1 = ADC enabled |
| | 0 | ADCR_ENA | 0 | Right ADC Enable 0 = ADC disabled 1 = ADC enabled |

Register 02h Power Management (2)

| REGISTER ADDRESS | BIT | LABEL | DEFAULT | DESCRIPTION |
|-------------------------------------|-----|-------------------|---------|---|
| R3 (03h) Power Management (3) | 13 | LINEOUT1N_EN A | 0 | LINEOUT1N Line Out and LINEOUT1NMIX Enable 0 = Disabled 1 = Enabled |
| | 12 | LINEOUT1P_EN A | 0 | LINEOUT1P Line Out and LINEOUT1PMIX Enable 0 = Disabled 1 = Enabled |
| | 11 | LINEOUT2N_EN | 0 | LINEOUT2N Line Out and LINEOUT2NMIX Enable |

| REGISTER ADDRESS | BIT | LABEL | DEFAULT | DESCRIPTION |
|------------------|-----|-------------------|---------|--|
| | | A | | 0 = Disabled 1 = Enabled |
| | 10 | LINEOUT2P_EN A | 0 | LINEOUT2P Line Out and LINEOUT2PMIX Enable 0 = Disabled 1 = Enabled |
| | 9 | SPKRVOL_ENA | 0 | SPKMIXR Mixer and SPKRVOL PGA Enable 0 = Disabled 1 = Enabled Note that SPKMIXR and SPKRVOL are also enabled when SPKOUTR_ENA is set. |
| | 8 | SPKLVOL_ENA | 0 | SPKMIXL Mixer and SPKLVOL PGA Enable 0 = Disabled 1 = Enabled Note that SPKMIXL and SPKLVOL are also enabled when SPKOUTL_ENA is set. |
| | 7 | MIXOUTLVOL_ENA | 0 | MIXOUTL Left Volume Control Enable 0 = Disabled 1 = Enabled |
| | 6 | MIXOUTRVOL_ENA | 0 | MIXOUTR Right Volume Control Enable 0 = Disabled 1 = Enabled |
| | 5 | MIXOUTL_ENA | 0 | MIXOUTL Left Output Mixer Enable 0 = Disabled 1 = Enabled |
| | 4 | MIXOUTR_ENA | 0 | MIXOUTR Right Output Mixer Enable 0 = Disabled 1 = Enabled |
| | 1 | DACL_ENA | 0 | Left DAC Enable 0 = DAC disabled 1 = DAC enabled |
| | 0 | DACR_ENA | 0 | Right DAC Enable 0 = DAC disabled 1 = DAC enabled |

Register 03h Power Management (3)

| REGISTER ADDRESS | BIT | LABEL | DEFAULT | DESCRIPTION |
|------------------------------------|-----|-----------------|---------|---|
| R4 (04h) Audio Interface (1) | 15 | AIFADCL_SRC | 0 | Left Digital Audio interface source 0 = Left ADC data is output on left channel 1 = Right ADC data is output on left channel |
| | 14 | AIFADCR_SRC | 1 | Right Digital Audio interface source 0 = Left ADC data is output on right channel 1 = Right ADC data is output on right channel |
| | 13 | AIFADC_TDM | 0 | ADC TDM Enable 0 = Normal ADCDAT operation 1 = TDM enabled on ADCDAT |
| | 12 | AIFADC_TDM_CHAN | 0 | ADCDAT TDM Channel Select 0 = ADCDAT outputs data on slot 0 1 = ADCDAT output data on slot 1 |
| | 9 | BCLK_DIR | 0 | BCLK Direction (Forces BCLK clock to be output in slave mode) |

| REGISTER ADDRESS | BIT | LABEL | DEFAULT | DESCRIPTION |
|------------------|-----|---------------|---------|--|
| | | | | 0 = BCLK normal operation 1 = BCLK clock output enabled |
| | 8 | AIF_BCLK_INV | 0 | BCLK Invert 0 = BCLK not inverted 1 = BCLK inverted Note that AIF_BCLK_INV selects the BCLK polarity in Master mode and in Slave mode. |
| | 7 | AIF_LRCLK_INV | 0 | Right, left and I2S modes – LRCLK polarity 0 = normal LRCLK polarity 1 = invert LRCLK polarity Note that AIF_LRCLK_INV selects the LRCLK polarity in Master mode and in Slave mode. DSP Mode – mode A/B select 0 = MSB is available on 2nd BCLK rising edge after LRC rising edge (mode A) 1 = MSB is available on 1st BCLK rising edge after LRC rising edge (mode B) |
| | 6:5 | AIF_WL [1:0] | 10 | Digital Audio Interface Word Length 00 = 16 bits 01 = 20 bits 10 = 24 bits 11 = 32 bits |
| | 4:3 | AIF_FMT [1:0] | 10 | Digital Audio Interface Format 00 = Right justified 01 = Left justified 10 = I2S Format 11 = DSP Mode |

Register 04h Audio Interface (1)

| REGISTER ADDRESS | BIT | LABEL | DEFAULT | DESCRIPTION |
|---------------------------------|-------|-----------------|---------|---|
| R5 (05h) Audio Interface (2) | 15 | AIFDACL_SRC | 0 | Left DAC Data Source Select 0 = Left DAC outputs left interface data 1 = Left DAC outputs right interface data |
| | 14 | AIFDACR_SRC | 1 | Right DAC Data Source Select 0 = Right DAC outputs left interface data 1 = Right DAC outputs right interface data |
| | 13 | AIFDAC_TDM | 0 | DAC TDM Enable 0 = Normal DACDAT operation 1 = TDM enabled on DACDAT |
| | 12 | AIFDAC_TDM_CHAN | 0 | DACDAT TDM Channel Select 0 = DACDAT data input on slot 0 1 = DACDAT data input on slot 1 |
| | 11:10 | DAC_BOOST [1:0] | 00 | DAC Input Volume Boost 00 = 0dB 01 = +6dB (Input data must not exceed -6dBFS) 10 = +12dB (Input data must not exceed -12dBFS) 11 = +18dB (Input data must not exceed -18dBFS) |
| | 4 | DAC_COMP | 0 | DAC Companding Enable 0 = disabled |

| REGISTER ADDRESS | BIT | LABEL | DEFAULT | DESCRIPTION |
|------------------|-----|--------------|---------|---|
| | | | | 1 = enabled |
| | 3 | DAC_COMPMODE | 0 | DAC Companding Type 0 = μ -law 1 = A-law |
| | 2 | ADC_COMP | 0 | ADC Companding Enable 0 = disabled 1 = enabled |
| | 1 | ADC_COMPMODE | 0 | ADC Companding Type 0 = μ -law 1 = A-law |
| | 0 | LOOPBACK | 0 | Digital Loopback Function 0 = No loopback 1 = Loopback enabled (ADC data output is directly input to DAC data input). |

Register 05h Audio Interface (2)

| REGISTER ADDRESS | BIT | LABEL | DEFAULT | DESCRIPTION |
|------------------------|------|-----------------|---------|---|
| R6 (06h) Clocking 1 | 15 | TOCLK_RATE | 0 | TOCLK Rate Divider (/2) 0 = $f / 2$ 1 = $f / 1$ |
| | 14 | TOCLK_ENA | 0 | TOCLK Enable 0 = disabled 1 = enabled |
| | 12:9 | OPCLK_DIV [3:0] | 0000 | GPIO Output Clock Divider 0000 = CLK_SYS 0001 = CLK_SYS / 2 0010 = CLK_SYS / 3 0011 = CLK_SYS / 4 0100 = CLK_SYS / 5.5 0101 = CLK_SYS / 6 0110 = CLK_SYS / 8 0111 = CLK_SYS / 12 1000 = CLK_SYS / 16 1001 to 1111 = Reserved |
| | 8:6 | DCLK_DIV [2:0] | 111 | Class D Clock Divider 000 = CLK_SYS 001 = CLK_SYS / 2 010 = CLK_SYS / 3 011 = CLK_SYS / 4 100 = CLK_SYS / 6 101 = CLK_SYS / 8 110 = CLK_SYS / 12 111 = CLK_SYS / 16 Note - this field is ignored and invalid in Automatic Clocking Configuration mode. |
| | 4:1 | BCLK_DIV [3:0] | 0100 | BCLK Rate 0000 = CLK_SYS 0001 = CLK_SYS / 1.5 0010 = CLK_SYS / 2 0011 = CLK_SYS / 3 |

| REGISTER ADDRESS | BIT | LABEL | DEFAULT | DESCRIPTION |
|------------------|-----|-------|---------|--|
| | | | | 0100 = CLK_SYS / 4 0101 = CLK_SYS / 5.5 0110 = CLK_SYS / 6 0111 = CLK_SYS / 8 1000 = CLK_SYS / 11 1001 = CLK_SYS / 12 1010 = CLK_SYS / 16 1011 = CLK_SYS / 22 1100 = CLK_SYS / 24 1101 = CLK_SYS / 32 1110 = CLK_SYS / 44 1111 = CLK_SYS / 48 |

Register 06h Clocking 1

| REGISTER ADDRESS | BIT | LABEL | DEFAULT | DESCRIPTION |
|------------------------|-----|---------------|---------|--|
| R7 (07h) Clocking 2 | 15 | MCLK_SRC | 0 | MCLK Source Select 0 = MCLK pin 1 = GPIO1 pin |
| | 14 | SYSCLK_SRC | 0 | CLK_SYS Source Select 0 = MCLK 1 = FLL output |
| | 12 | MCLK_DIV | 0 | MCLK Divider 0 = MCLK 1 = MCLK / 2 |
| | 10 | MCLK_INV | 0 | MCLK Invert 0 = MCLK not inverted 1 = MCLK inverted |
| | 7:5 | ADC_DIV [2:0] | 000 | ADC Sample Rate Divider 000 = CLK_SYS / 1 001 = CLK_SYS / 1.5 010 = CLK_SYS / 2 011 = CLK_SYS / 3 100 = CLK_SYS / 4 101 = CLK_SYS / 5.5 110 = CLK_SYS / 6 111 = Reserved Note - this field is ignored and invalid in Automatic Clocking Configuration mode. |
| | 4:2 | DAC_DIV [2:0] | 000 | DAC Sample Rate Divider 000 = CLK_SYS / 1 001 = CLK_SYS / 1.5 010 = CLK_SYS / 2 011 = CLK_SYS / 3 100 = CLK_SYS / 4 101 = CLK_SYS / 5.5 110 = CLK_SYS / 6 111 = Reserved Note - this field is ignored and invalid in Automatic Clocking Configuration mode. |

Register 07h Clocking 2

| REGISTER ADDRESS | BIT | LABEL | DEFAULT | DESCRIPTION |
|----------------------------------|-----|-----------|---------|---|
| R8 (08h) ADCLRC Generation | 15 | AIF_MSTR1 | 0 | Audio Interface 1 Master Mode Select 0 = Slave mode 1 = Master mode |

Register 08h ADCLRC Generation

| REGISTER ADDRESS | BIT | LABEL | DEFAULT | DESCRIPTION |
|----------------------------------|------|----------------------|-------------------|--|
| R9 (09h) DACLRC Generation | 13 | AIF_TRIS | 0 | Audio Interface Tristate 0 = Audio interface pins operate normally 1 = Tristate all audio interface pins |
| | 11 | LRCLK_DIR | 0 | LRCLK Direction (Forces LRCLK clock to be output in slave mode) 0 = LRCLK normal operation 1 = LRCLK clock output enabled |
| | 10:0 | LRCLK_RATE [10:0] | 000_0100_ 0000 | LRCLK Rate LRCLK clock output = BCLK / LRCLK_RATE Integer (LSB = 1) Valid from 8..2047 |

Register 09h DACLRC Generation

| REGISTER ADDRESS | BIT | LABEL | DEFAULT | DESCRIPTION |
|-----------------------|-----|-----------------|---------|---|
| R10 (0Ah) DAC CTRL | 13 | DAC_OSR128 | 0 | DAC Oversample Rate Select 0 = disabled 1 = enabled For 48kHz sample rate, the DAC oversample rate is 128fs when DAC_OSR128 is selected. This is valid in Automatic mode only. The default is 64fs. |
| | 9 | DAC_MONO | 0 | DAC Mono Mix 0 = Disabled 1 = Enabled Only valid when one or other DAC is disabled. |
| | 8 | DAC_SB_FILT | 0 | Selects DAC filter characteristics 0 = Normal mode 1 = Sloping stopband mode Note - this field is ignored and invalid in Automatic Clocking Configuration mode. |
| | 7 | DAC_MUTERATE | 0 | DAC Soft Mute Ramp Rate 0 = Fast ramp (fs/2, maximum ramp time is 10.7ms at fs=48k) 1 = Slow ramp (fs/32, maximum ramp time is 171ms at fs=48k) (Note: ramp rate scales with sample rate.) |
| | 6 | DAC_UNMUTE_RAMP | 0 | DAC Unmute Ramp select 0 = Disabling soft-mute (DAC_MUTE=0) will cause the DAC volume to change immediately to DACL_VOL and DACR_VOL settings 1 = Disabling soft-mute (DAC_MUTE=0) will cause the DAC |

| REGISTER ADDRESS | BIT | LABEL | DEFAULT | DESCRIPTION |
|------------------|-----|--------------|---------|--|
| | | | | volume to ramp up gradually to the DACL_VOL and DACR_VOL settings |
| | 5:4 | DEEMPH [1:0] | 00 | DAC De-Emphasis Control 00 = No de-emphasis 01 = 32kHz sample rate 10 = 44.1kHz sample rate 11 = 48kHz sample rate |
| | 2 | DAC_MUTE | 1 | DAC Soft Mute Control 0 = DAC Un-mute 1 = DAC Mute |
| | 1 | DACL_DATINV | 0 | Left DAC Invert 0 = Left DAC output not inverted 1 = Left DAC output inverted |
| | 0 | DACR_DATINV | 0 | Right DAC Invert 0 = Right DAC output not inverted 1 = Right DAC output inverted |

Register 0Ah DAC CTRL

| REGISTER ADDRESS | BIT | LABEL | DEFAULT | DESCRIPTION |
|--|-----|----------------|-----------|--|
| R11 (0Bh) Left DAC Digital Volume | 8 | DAC_VU | 0 | DAC Volume Update Writing a 1 to this bit will cause left and right DAC volume to be updated simultaneously |
| | 7:0 | DACL_VOL [7:0] | 1100_0000 | Left DAC Digital Volume 00h = MUTE 01h = -71.625dB ... (0.375dB steps) C0h = 0dB |

Register 0Bh Left DAC Digital Volume

| REGISTER ADDRESS | BIT | LABEL | DEFAULT | DESCRIPTION |
|---|-----|----------------|-----------|--|
| R12 (0Ch) Right DAC Digital Volume | 8 | DAC_VU | 0 | DAC Volume Update Writing a 1 to this bit will cause left and right DAC volume to be updated simultaneously |
| | 7:0 | DACR_VOL [7:0] | 1100_0000 | Right DAC Digital Volume 00h = MUTE 01h = -71.625dB ... (0.375dB steps) C0h = 0dB |

Register 0Ch Right DAC Digital Volume

| REGISTER ADDRESS | BIT | LABEL | DEFAULT | DESCRIPTION |
|-----------------------------------|------|---------------------|---------|---|
| R13 (0Dh) Digital Side Tone | 12:9 | ADCL_DAC_SVOL [3:0] | 0000 | Left Digital Sidetone Volume 0000 = -36dB 0001 = -33dB (3dB steps) 1011 = -3dB |

| REGISTER ADDRESS | BIT | LABEL | DEFAULT | DESCRIPTION |
|------------------|-----|---------------------|---------|--|
| | | | | 1100 = 0dB |
| | 8:5 | ADCR_DAC_SVOL [3:0] | 0000 | Right Digital Sidetone Volume 0000 = -36dB 0001 = -33dB (3dB steps) 1011 = -3dB 1100 = 0dB |
| | 3:2 | ADC_TO_DACL [1:0] | 00 | Left DAC Digital Sidetone Source 00 = No sidetone 01 = Left ADC 10 = Right ADC 11 = Reserved |
| | 1:0 | ADC_TO_DACR [1:0] | 00 | Right DAC Digital Sidetone Source 00 = No sidetone 01 = Left ADC 10 = Right ADC 11 = Reserved |

Register 0Dh Digital Side Tone

| REGISTER ADDRESS | BIT | LABEL | DEFAULT | DESCRIPTION |
|-----------------------|-----|-------------------|---------|--|
| R14 (0Eh) ADC CTRL | 9 | ADC_OSR128 | 1 | ADC Oversample Rate Select 0 = disabled 1 = enabled For 48kHz sample rate, the ADC oversample rate is 128fs when ADC_OSR128 is selected. Setting this bit to 0 selects 64fs mode. Default is 128fs. |
| | 8 | ADC_HPF | 1 | ADC Digital High Pass Filter Enable 0 = disabled 1 = enabled |
| | 6:5 | ADC_HPF_CUT [1:0] | 00 | ADC Digital High Pass Filter Cut-Off Frequency (fc) 00 = Hi-fi mode (fc=4Hz at fs=48kHz) 01 = Voice mode 1 (fc=127Hz at fs=16kHz) 10 = Voice mode 2 (fc=130Hz at fs=8kHz) 11 = Voice mode 3 (fc=267Hz at fs=8kHz) (Note: fc scales with sample rate.) |
| | 1 | ADCL_DATINV | 0 | Left ADC Invert 0 = Left ADC output not inverted 1 = Left ADC output inverted |
| | 0 | ADCR_DATINV | 0 | Right ADC Invert 0 = Right ADC output not inverted 1 = Right ADC output inverted |

Register 0Eh ADC CTRL

| REGISTER ADDRESS | BIT | LABEL | DEFAULT | DESCRIPTION |
|----------------------------------|-----|--------|---------|--|
| R15 (0Fh) Left ADC Digital | 8 | ADC_VU | 0 | ADC Volume Update Writing a 1 to this bit will cause left and right ADC volume to be updated simultaneously |

| REGISTER ADDRESS | BIT | LABEL | DEFAULT | DESCRIPTION |
|------------------|-----|----------------|-----------|--|
| Volume | 7:0 | ADCL_VOL [7:0] | 1100_0000 | Left ADC Digital Volume 00h = MUTE 01h = -71.625dB ... (0.375dB steps) EFh = +17.625dB |

Register 0Fh Left ADC Digital Volume

| REGISTER ADDRESS | BIT | LABEL | DEFAULT | DESCRIPTION |
|---|-----|----------------|-----------|--|
| R16 (10h) Right ADC Digital Volume | 8 | ADC_VU | 0 | ADC Volume Update Writing a 1 to this bit will cause left and right ADC volume to be updated simultaneously |
| | 7:0 | ADCR_VOL [7:0] | 1100_0000 | Right ADC Digital Volume 00h = MUTE 01h = -71.625dB ... (0.375dB steps) EFh = +17.625dB |

Register 10h Right ADC Digital Volume

| REGISTER ADDRESS | BIT | LABEL | DEFAULT | DESCRIPTION |
|-----------------------------|-----|-------------|---------|---|
| R18 (12h) GPIO CTRL 1 | 15 | JD2_SC_EINT | 0 | MICBIAS2 Short Circuit interrupt 0 = interrupt not set 1 = interrupt is set Cleared when a '1' is written |
| | 14 | JD2_EINT | 0 | MICBIAS2 Current Detect interrupt 0 = interrupt not set 1 = interrupt is set Cleared when a '1' is written |
| | 13 | WSEQ_EINT | 0 | Write Sequence interrupt 0 = interrupt not set 1 = interrupt is set Cleared when a '1' is written. Note that the read value of WSEQ_EINT is not valid whilst the Write Sequencer is Busy. |
| | 12 | IRQ | 0 | Interrupt status (IRQ) Polarity is determined by IRQ_POL This bit is read only. |
| | 11 | TEMPOK_EINT | 0 | Temp OK interrupt 0 = interrupt not set 1 = interrupt is set Cleared when a '1' is written |
| | 10 | JD1_SC_EINT | 0 | MICBIAS1 Short Circuit interrupt 0 = interrupt not set 1 = interrupt is set Cleared when a '1' is written |
| | 9 | JD1_EINT | 0 | MICBIAS1 Current Detect interrupt 0 = interrupt not set 1 = interrupt is set Cleared when a '1' is written |

| REGISTER ADDRESS | BIT | LABEL | DEFAULT | DESCRIPTION |
|------------------|-----|--------------------|---------|--|
| | 8 | FLL_LOCK_INTERRUPT | 0 | FLL Lock interrupt 0 = interrupt not set 1 = interrupt is set Cleared when a '1' is written |
| | 7 | GPI8_EINT | 0 | GPI8 interrupt 0 = interrupt not set 1 = interrupt is set Cleared when a '1' is written |
| | 6 | GPI7_EINT | 0 | GPI7 interrupt 0 = interrupt not set 1 = interrupt is set Cleared when a '1' is written |
| | 0 | GPIO1_EINT | 0 | GPIO1 interrupt 0 = interrupt not set 1 = interrupt is set Cleared when a '1' is written |

Register 12h GPIO CTRL 1

| REGISTER ADDRESS | BIT | LABEL | DEFAULT | DESCRIPTION |
|-------------------------------|-----|-----------------|---------|---|
| R19 (13h) GPIO1 & GPIO2 | 5 | GPIO1_PU | 0 | GPIO1 pull-up resistor enable 0 = pull-up disabled 1 = pull-up enabled |
| | 4 | GPIO1_PD | 1 | GPIO1 pull-down resistor enable 0 = pull-down disabled 1 = pull-down enabled |
| | 3:0 | GPIO1_SEL [3:0] | 0000 | GPIO1 function select 0000 = GPIO input 0001 = OPCLK 0010 = Logic 0 0011 = Logic 1 0100 = FLL_LOCK 0101 = TEMPOK 0110 = Reserved 0111 = IRQ 1000 = MICBIAS1 current detect 1001 = MICBIAS1 short circuit detect 1010 = MICBIAS2 current detect 1011 = MICBIAS short circuit detect 11XX = Reserved |

Register 13h GPIO1 & GPIO2

| REGISTER ADDRESS | BIT | LABEL | DEFAULT | DESCRIPTION |
|---------------------------|-----|-----------|---------|---|
| R20 (14h) IRQ_DEBOUNCE | 15 | JD2_SC_DB | 0 | MICBIAS2 Short Circuit de-bounce 0 = disabled 1 = enabled |
| | 14 | JD2_DB | 0 | MICBIAS2 Current Detect de-bounce 0 = disabled |

| REGISTER ADDRESS | BIT | LABEL | DEFAULT | DESCRIPTION |
|------------------|-----|-------------|---------|--|
| | | | | 1 = enabled |
| | 13 | WSEQ_DB | 0 | Write Sequencer de-bounce 0 = disabled 1 = enabled |
| | 11 | TEMPOK_DB | 0 | Temp OK de-bounce 0 = disabled 1 = enabled |
| | 10 | JD1_SC_DB | 0 | MICBIAS1 Short Circuit de-bounce 0 = disabled 1 = enabled |
| | 9 | JD1_DB | 0 | MICBIAS1 Current Detect de-bounce 0 = disabled 1 = enabled |
| | 8 | FLL_LOCK_DB | 0 | FLL Lock de-bounce 0 = disabled 1 = enabled |
| | 7 | GPI8_DB | 0 | GPI8 input de-bounce 0 = disabled 1 = enabled |
| | 3 | GPI7_DB | 0 | GPI7 input de-bounce 0 = disabled 1 = enabled |
| | 0 | GPIO1_DB | 0 | GPIO1 input de-bounce 0 = disabled 1 = enabled |

Register 14h IRQ_DEBOUNCE

| REGISTER ADDRESS | BIT | LABEL | DEFAULT | DESCRIPTION |
|---------------------------|-----|--------------|---------|---|
| R21 (15h) Input Mixer1 | 6 | INPUTS_CLAMP | 0 | Input pad VMID clamp 0 = Clamp de-activated 1 = Clamp activated |

Register 15h Input Mixer1

| REGISTER ADDRESS | BIT | LABEL | DEFAULT | DESCRIPTION |
|-------------------------|-----|----------------|---------|---|
| R22 (16h) GPIOCTRL 2 | 13 | IM_JD2_EINT | 0 | MICBIAS2 Current Detect interrupt mask 0 = do not mask interrupt 1 = mask interrupt |
| | 12 | IM_JD2_SC_EINT | 0 | MICBIAS2 Short Circuit interrupt mask 0 = do not mask interrupt 1 = mask interrupt |
| | 11 | IM_TEMPOK_EINT | 0 | Temp OK interrupt mask 0 = do not mask interrupt 1 = mask interrupt |
| | 10 | IM_JD1_SC_EINT | 0 | MICBIAS1 Short Circuit interrupt mask 0 = do not mask interrupt 1 = mask interrupt |
| | 9 | IM_JD1_EINT | 0 | MICBIAS1 Current Detect interrupt mask |

| REGISTER ADDRESS | BIT | LABEL | DEFAULT | DESCRIPTION |
|------------------|-----|------------------|---------|---|
| | | | | 0 = do not mask interrupt 1 = mask interrupt |
| | 8 | IM_FLL_LOCK_EINT | 0 | FLL Lock interrupt mask 0 = do not mask interrupt 1 = mask interrupt |
| | 6 | IM_GPI8_EINT | 0 | GPI8 interrupt mask 0 = do not mask interrupt 1 = mask interrupt |
| | 5 | IM_GPIO1_EINT | 0 | GPIO1 interrupt mask 0 = do not mask interrupt 1 = mask interrupt |
| | 4 | GPI8_ENA | 0 | GPI8 input enable 0 = disabled 1 = enabled |
| | 2 | IM_GPI7_EINT | 0 | GPI7 interrupt mask 0 = do not mask interrupt 1 = mask interrupt |
| | 1 | IM_WSEQ_EINT | 0 | Write Sequencer interrupt mask 0 = do not mask interrupt 1 = mask interrupt |
| | 0 | GPI7_ENA | 0 | GPI7 input enable 0 = disabled 1 = enabled |

Register 16h GPIOCTRL 2

| REGISTER ADDRESS | BIT | LABEL | DEFAULT | DESCRIPTION |
|-----------------------|-----|--------------|---------|--|
| R23 (17h) GPIO_POL | 15 | JD2_SC_POL | 0 | MICBIAS2 Short Circuit interrupt polarity 0 = active high 1 = active low |
| | 14 | JD2_POL | 0 | MICBIAS2 Current Detect interrupt polarity 0 = active high 1 = active low |
| | 13 | WSEQ_POL | 0 | Write Sequencer interrupt polarity 0 = active high (interrupt is triggered when WSEQ is busy) 1 = active low (interrupt is triggered when WSEQ is idle) |
| | 12 | IRQ_POL | 0 | Interrupt status (IRQ) polarity 0 = active high 1 = active low |
| | 11 | TEMPOK_POL | 1 | Temp OK interrupt polarity 0 = active high (interrupt is triggered when temperature is normal) 1 = active low (interrupt is triggered when over-temperature) |
| | 10 | JD1_SC_POL | 0 | MICBIAS1 Short Circuit interrupt polarity 0 = active high 1 = active low |
| | 9 | JD1_POL | 0 | MICBIAS1 Current Detect interrupt polarity 0 = active high 1 = active low |
| | 8 | FLL_LOCK_POL | 0 | FLL Lock interrupt polarity |

| REGISTER ADDRESS | BIT | LABEL | DEFAULT | DESCRIPTION |
|------------------|-----|-----------|---------|---|
| | | | | 0 = active high (interrupt is triggered when FLL Lock is reached) 1 = active low (interrupt is triggered when FLL is not locked) |
| | 7 | GPI8_POL | 0 | GPI8 interrupt polarity 0 = active high 1 = active low |
| | 6 | GPI7_POL | 0 | GPI7 interrupt polarity 0 = active high 1 = active low |
| | 0 | GPIO1_POL | 0 | GPIO1 interrupt polarity 0 = active high 1 = active low |

Register 17h GPIO_POL

| REGISTER ADDRESS | BIT | LABEL | DEFAULT | DESCRIPTION |
|---|-----|----------------|---------|--|
| R24 (18h) Left Line Input 1&2 Volume | 8 | IN1_VU | 0 | Input PGA Volume Update Writing a 1 to this bit will cause IN1L and IN1R input PGA volumes to be updated simultaneously |
| | 7 | IN1L_MUTE | 1 | IN1L PGA Mute 0 = Disable Mute 1 = Enable Mute |
| | 6 | IN1L_ZC | 0 | IN1L PGA Zero Cross Detector 0 = Change gain immediately 1 = Change gain on zero cross only |
| | 4:0 | IN1L_VOL [4:0] | 0_1011 | IN1L Volume 00000 = -16.5dB 00001 = -15dB ... 11110 = +28.5dB 11111 = +30dB |

Register 18h Left Line Input 1&2 Volume

| REGISTER ADDRESS | BIT | LABEL | DEFAULT | DESCRIPTION |
|---|-----|----------------|---------|--|
| R25 (19h) Left Line Input 3&4 Volume | 8 | IN2_VU | 0 | Input PGA Volume Update Writing a 1 to this bit will cause IN2L and IN2R input PGA volumes to be updated simultaneously |
| | 7 | IN2L_MUTE | 1 | IN2L PGA Mute 0 = Disable Mute 1 = Enable Mute |
| | 6 | IN2L_ZC | 0 | IN2L PGA Zero Cross Detector 0 = Change gain immediately 1 = Change gain on zero cross only |
| | 4:0 | IN2L_VOL [4:0] | 0_1011 | IN2L Volume 00000 = -16.5dB 00001 = -15dB ... 11110 = +28.5dB 11111 = +30dB |

Register 19h Left Line Input 3&4 Volume

| REGISTER ADDRESS | BIT | LABEL | DEFAULT | DESCRIPTION |
|--|-----|----------------|---------|--|
| R26 (1Ah) Right Line Input 1&2 Volume | 8 | IN1_VU | 0 | Input PGA Volume Update Writing a 1 to this bit will cause IN1L and IN1R input PGA volumes to be updated simultaneously |
| | 7 | IN1R_MUTE | 1 | IN1R PGA Mute 0 = Disable Mute 1 = Enable Mute |
| | 6 | IN1R_ZC | 0 | IN1R PGA Zero Cross Detector 0 = Change gain immediately 1 = Change gain on zero cross only |
| | 4:0 | IN1R_VOL [4:0] | 0_1011 | IN1R Volume 00000 = -16.5dB 00001 = -15dB ... 11110 = +28.5dB 11111 = +30dB |

Register 1Ah Right Line Input 1&2 Volume

| REGISTER ADDRESS | BIT | LABEL | DEFAULT | DESCRIPTION |
|--|-----|----------------|---------|--|
| R27 (1Bh) Right Line Input 3&4 Volume | 8 | IN2_VU | 0 | Input PGA Volume Update Writing a 1 to this bit will cause IN2L and IN2R input PGA volumes to be updated simultaneously |
| | 7 | IN2R_MUTE | 1 | IN2R PGA Mute 0 = Disable Mute 1 = Enable Mute |
| | 6 | IN2R_ZC | 0 | IN2R PGA Zero Cross Detector 0 = Change gain immediately 1 = Change gain on zero cross only |
| | 4:0 | IN2R_VOL [4:0] | 0_1011 | IN2R Volume 00000 = -16.5dB 00001 = -15dB ... 11110 = +28.5dB 11111 = +30dB |

Register 1Bh Right Line Input 3&4 Volume

| REGISTER ADDRESS | BIT | LABEL | DEFAULT | DESCRIPTION |
|------------------------------------|-----|--------------------|---------|---|
| R28 (1Ch) Left Output Volume | 8 | HPOUT1_VU | 0 | Headphone Output PGA Volume Update Writing a 1 to this bit will update HPOUT1LVOL and HPOUT1RVOL volumes simultaneously. |
| | 7 | HPOUT1L_ZC | 0 | HPOUT1LVOL (Left Headphone Output PGA) Zero Cross Enable 0 = Zero cross disabled 1 = Zero cross enabled |
| | 6 | HPOUT1L_MUT E_N | 1 | HPOUT1LVOL (Left Headphone Output PGA) Mute 0 = Mute |

| REGISTER ADDRESS | BIT | LABEL | DEFAULT | DESCRIPTION |
|------------------|-----|-------------------|---------|--|
| | | | | 1 = Un-mute |
| | 5:0 | HPOUT1L_VOL [5:0] | 10_1101 | HPOUT1LVOL (Left Headphone Output PGA) Volume 00 0000 = -57dB 00 0001 = -56dB ... 11 1110 = +5dB 11 1111 = +6dB |

Register 1Ch Left Output Volume

| REGISTER ADDRESS | BIT | LABEL | DEFAULT | DESCRIPTION |
|----------------------------------|-----|-------------------|---------|---|
| R29 (1Dh) Right Output Volume | 8 | HPOUT1_VU | 0 | Headphone Output PGA Volume Update Writing a 1 to this bit will update HPOUT1LVOL and HPOUT1RVOL volumes simultaneously. |
| | 7 | HPOUT1R_ZC | 0 | HPOUT1RVOL (Right Headphone Output PGA) Zero Cross Enable 0 = Zero cross disabled 1 = Zero cross enabled |
| | 6 | HPOUT1R_MUT E_N | 1 | HPOUT1RVOL (Right Headphone Output PGA) Mute 0 = Mute 1 = Un-mute |
| | 5:0 | HPOUT1R_VOL [5:0] | 10_1101 | HPOUT1RVOL (Right Headphone Output PGA) Volume 00 0000 = -57dB 00 0001 = -56dB ... 11 1110 = +5dB 11 1111 = +6dB |

Register 1Dh Right Output Volume

| REGISTER ADDRESS | BIT | LABEL | DEFAULT | DESCRIPTION |
|----------------------------------|-----|-----------------|---------|---|
| R30 (1Eh) Line Outputs Volume | 6 | LINEOUT1N_M UTE | 1 | LINEOUT1N Line Output Mute 0 = Un-mute 1 = Mute |
| | 5 | LINEOUT1P_M UTE | 1 | LINEOUT1P Line Output Mute 0 = Un-mute 1 = Mute |
| | 4 | LINEOUT1_VOL | 0 | LINEOUT1 Line Output Volume 0 = 0dB 1 = -6dB Applies to both LINEOUT1N and LINEOUT1P |
| | 2 | LINEOUT2N_M UTE | 1 | LINEOUT2N Line Output Mute 0 = Un-mute 1 = Mute |
| | 1 | LINEOUT2P_M UTE | 1 | LINEOUT2P Line Output Mute 0 = Un-mute 1 = Mute |
| | 0 | LINEOUT2_VOL | 0 | LINEOUT2 Line Output Volume 0 = 0dB 1 = -6dB |

| REGISTER ADDRESS | BIT | LABEL | DEFAULT | DESCRIPTION |
|------------------|-----|-------|---------|---|
| | | | | Applies to both LINEOUT2N and LINEOUT2P |

Register 1Eh Line Outputs Volume

| REGISTER ADDRESS | BIT | LABEL | DEFAULT | DESCRIPTION |
|-------------------------------|-----|-------------|---------|--|
| R31 (1Fh) HPOUT2 Volume | 5 | HPOUT2_MUTE | 1 | HPOUT2 (Earpiece Driver) Mute 0 = Un-mute 1 = Mute |
| | 4 | HPOUT2_VOL | 0 | HPOUT2 (Earpiece Driver) Volume 0 = 0dB 1 = -6dB |

Register 1Fh HPOUT2 Volume

| REGISTER ADDRESS | BIT | LABEL | DEFAULT | DESCRIPTION |
|----------------------------------|-----|----------------------|---------|--|
| R32 (20h) Left OPGA Volume | 8 | MIXOUT_VU | 0 | Mixer Output PGA Volume Update Writing a 1 to this bit will update MIXOUTLVOL and MIXOUTRVOL volumes simultaneously. |
| | 7 | MIXOUTL_ZC | 0 | MIXOUTLVOL (Left Mixer Output PGA) Zero Cross Enable 0 = Zero cross disabled 1 = Zero cross enabled |
| | 6 | MIXOUTL_MUT E_N | 1 | MIXOUTLVOL (Left Mixer Output PGA) Mute 0 = Mute 1 = Un-mute |
| | 5:0 | MIXOUTL_VOL [5:0] | 11_1001 | MIXOUTLVOL (Left Mixer Output PGA) Volume 00 0000 = -57dB 00 0001 = -56dB ... 11 1110 = +5dB 11 1111 = +6dB |

Register 20h Left OPGA Volume

| REGISTER ADDRESS | BIT | LABEL | DEFAULT | DESCRIPTION |
|-----------------------------------|-----|----------------------|---------|---|
| R33 (21h) Right OPGA Volume | 8 | MIXOUT_VU | 0 | Mixer Output PGA Volume Update Writing a 1 to this bit will update MIXOUTLVOL and MIXOUTRVOL volumes simultaneously. |
| | 7 | MIXOUTR_ZC | 0 | MIXOUTRVOL (Right Mixer Output PGA) Zero Cross Enable 0 = Zero cross disabled 1 = Zero cross enabled |
| | 6 | MIXOUTR_MUT E_N | 1 | MIXOUTRVOL (Right Mixer Output PGA) Mute 0 = Mute 1 = Un-mute |
| | 5:0 | MIXOUTR_VOL [5:0] | 11_1001 | MIXOUTRVOL (Right Mixer Output PGA) Volume 00 0000 = -57dB 00 0001 = -56dB ... 11 1110 = +5dB |

| REGISTER ADDRESS | BIT | LABEL | DEFAULT | DESCRIPTION |
|------------------|-----|-------|---------|----------------|
| | | | | 11 1111 = +6dB |

Register 21h Right OPGA Volume

| REGISTER ADDRESS | BIT | LABEL | DEFAULT | DESCRIPTION |
|-------------------------------------|-----|-------------------------|---------|---|
| R34 (22h) SPKMIXL Attenuation | 5 | MIXINL_SPKMI XL_VOL | 0 | MIXINL (Left ADC bypass) to SPKMIXL Fine Volume Control 0 = 0dB 1 = -3dB |
| | 4 | IN1LP_SPKMIX L_VOL | 0 | IN1LP to SPKMIXL Fine Volume Control 0 = 0dB 1 = -3dB |
| | 3 | MIXOUTL_SPK MIXL_VOL | 0 | Left Mixer Output to SPKMIXL Fine Volume Control 0 = 0dB 1 = -3dB |
| | 2 | DACL_SPKMIX L_VOL | 0 | Left DAC to SPKMIXL Fine Volume Control 0 = 0dB 1 = -3dB |
| | 1:0 | SPKMIXL_VOL [1:0] | 11 | Left Speaker Mixer Volume Control 00 = 0dB 01 = -6dB 10 = -12dB 11 = mute |

Register 22h SPKMIXL Attenuation

| REGISTER ADDRESS | BIT | LABEL | DEFAULT | DESCRIPTION |
|-------------------------------------|-----|-------------------------|---------|--|
| R35 (23h) SPKMIXR Attenuation | 8 | SPKOUT_CLAS SAB_MODE | 0 | Speaker Class AB Mode Enable 0 = Class D mode 1 = Class AB mode |
| | 5 | MIXINR_SPKMI XR_VOL | 0 | MIXINR (Right ADC bypass) to SPKMIXR Fine Volume Control 0 = 0dB 1 = -3dB |
| | 4 | IN1RP_SPKMIX R_VOL | 0 | IN1RP to SPKMIXR Fine Volume Control 0 = 0dB 1 = -3dB |
| | 3 | MIXOUTR_SPK MIXR_VOL | 0 | Right Mixer Output to SPKMIXR Fine Volume Control 0 = 0dB 1 = -3dB |
| | 2 | DACR_SPKMIX R_VOL | 0 | Right DAC to SPKMIXR Fine Volume Control 0 = 0dB 1 = -3dB |
| | 1:0 | SPKMIXR_VOL [1:0] | 11 | Right Speaker Mixer Volume Control 00 = 0dB 01 = -6dB 10 = -12dB 11 = mute |

Register 23h SPKMIXR Attenuation

| REGISTER ADDRESS | BIT | LABEL | DEFAULT | DESCRIPTION |
|----------------------------|-----|--------------------|---------|---|
| R36 (24h) SPKOUT Mixers | 5 | IN2LP_TO_SPKOUTL | 0 | Direct Voice (Differential Input, VRXN/VRXP) to Left Speaker Mute 0 = Mute 1 = Un-mute |
| | 4 | SPKMIXL_TO_SPKOUTL | 1 | SPKMIXL Left Speaker Mixer to Left Speaker Mute 0 = Mute 1 = Un-mute |
| | 3 | SPKMIXR_TO_SPKOUTL | 0 | SPKMIXR Right Speaker Mixer to Left Speaker Mute 0 = Mute 1 = Un-mute |
| | 2 | IN2LP_TO_SPKOUTR | 0 | Direct Voice (Differential Input, VRXN/VRXP) to Right Speaker Mute 0 = Mute 1 = Un-mute |
| | 1 | SPKMIXL_TO_SPKOUTR | 0 | SPKMIXL Left Speaker Mixer to Right Speaker Mute 0 = Mute 1 = Un-mute |
| | 0 | SPKMIXR_TO_SPKOUTR | 1 | SPKMIXR Right Speaker Mixer to Right Speaker Mute 0 = Mute 1 = Un-mute |

Register 24h SPKOUT Mixers

| REGISTER ADDRESS | BIT | LABEL | DEFAULT | DESCRIPTION |
|----------------------|-----|---------------------|---------|---|
| R37 (25h) ClassD3 | 5:3 | SPKOUTL_BOOST [2:0] | 000 | Left Speaker Gain Boost 000 = 1.00x boost (+0dB) 001 = 1.19x boost (+1.5dB) 010 = 1.41x boost (+3.0dB) 011 = 1.68x boost (+4.5dB) 100 = 2.00x boost (+6.0dB) 101 = 2.37x boost (+7.5dB) 110 = 2.81x boost (+9.0dB) 111 = 3.98x boost (+12.0dB) |
| | 2:0 | SPKOUTR_BOOST [2:0] | 000 | Right Speaker Gain Boost 000 = 1.00x boost (+0dB) 001 = 1.19x boost (+1.5dB) 010 = 1.41x boost (+3.0dB) 011 = 1.68x boost (+4.5dB) 100 = 2.00x boost (+6.0dB) 101 = 2.37x boost (+7.5dB) 110 = 2.81x boost (+9.0dB) 111 = 3.98x boost (+12.0dB) |

Register 25h ClassD3

| REGISTER ADDRESS | BIT | LABEL | DEFAULT | DESCRIPTION |
|----------------------------------|-----|-----------|---------|---|
| R38 (26h) Speaker Volume Left | 8 | SPKOUT_VU | 0 | Speaker Output PGA Volume Update Writing a 1 to this bit will update SPKLVOL and SPKRVOL volumes simultaneously. |

| REGISTER ADDRESS | BIT | LABEL | DEFAULT | DESCRIPTION |
|------------------|-----|-------------------|---------|---|
| | 7 | SPKOUTL_ZC | 0 | SPKLVOL (Left Speaker Output PGA) Zero Cross Enable 0 = Zero cross disabled 1 = Zero cross enabled |
| | 6 | SPKOUTL_MUTE_N | 1 | SPKLVOL (Left Speaker Output PGA) Mute 0 = Mute 1 = Un-mute |
| | 5:0 | SPKOUTL_VOL [5:0] | 11_1001 | SPKLVOL (Left Speaker Output PGA) Volume 00 0000 = -57dB 00 0001 = -56dB ... 11 1110 = +5dB 11 1111 = +6dB |

Register 26h Speaker Volume Left

| REGISTER ADDRESS | BIT | LABEL | DEFAULT | DESCRIPTION |
|-----------------------------------|-----|-------------------|---------|--|
| R39 (27h) Speaker Volume Right | 8 | SPKOUTR_VU | 0 | Speaker Output PGA Volume Update Writing a 1 to this bit will update SPKLVOL and SPKRVOL volumes simultaneously. |
| | 7 | SPKOUTR_ZC | 0 | SPKRVOL (Right Speaker Output PGA) Zero Cross Enable 0 = Zero cross disabled 1 = Zero cross enabled |
| | 6 | SPKOUTR_MUTE_N | 1 | SPKRVOL (Right Speaker Output PGA) Mute 0 = Mute 1 = Un-mute |
| | 5:0 | SPKOUTR_VOL [5:0] | 11_1001 | SPKRVOL (Right Speaker Output PGA) Volume 00 0000 = -57dB 00 0001 = -56dB ... 11 1110 = +5dB 11 1111 = +6dB |

Register 27h Speaker Volume Right

| REGISTER ADDRESS | BIT | LABEL | DEFAULT | DESCRIPTION |
|---------------------------|-----|---------------|---------|---|
| R40 (28h) Input Mixer2 | 7 | IN2LP_TO_IN2L | 0 | IN2L PGA Non-Inverting Input Select 0 = Connected to VMID 1 = Connected to IN2LP Note that VMID_BUF_ENA must be set when using IN2L connected to VMID. |
| | 6 | IN2LN_TO_IN2L | 0 | IN2L PGA Inverting Input Select 0 = Not connected 1 = Connected to IN2LN |
| | 5 | IN1LP_TO_IN1L | 0 | IN1L PGA Non-Inverting Input Select 0 = Connected to VMID 1 = Connected to IN1LP Note that VMID_BUF_ENA must be set when using IN2L connected to VMID. |
| | 4 | IN1LN_TO_IN1L | 0 | IN1L PGA Inverting Input Select 0 = Not connected |

| REGISTER ADDRESS | BIT | LABEL | DEFAULT | DESCRIPTION |
|------------------|-----|---------------|---------|---|
| | | | | 1 = Connected to IN1LN |
| | 3 | IN2RP_TO_IN2R | 0 | IN2R PGA Non-Inverting Input Select 0 = Connected to VMID 1 = Connected to IN2RP Note that VMID_BUF_ENA must be set when using IN2L connected to VMID. |
| | 2 | IN2RN_TO_IN2R | 0 | IN2R PGA Inverting Input Select 0 = Not connected 1 = Connected to IN2RN |
| | 1 | IN1RP_TO_IN1R | 0 | IN1R PGA Non-Inverting Input Select 0 = Connected to VMID 1 = Connected to IN1RP Note that VMID_BUF_ENA must be set when using IN2L connected to VMID. |
| | 0 | IN1RN_TO_IN1R | 0 | IN1R PGA Inverting Input Select 0 = Not connected 1 = Connected to IN1RN |

Register 28h Input Mixer2

| REGISTER ADDRESS | BIT | LABEL | DEFAULT | DESCRIPTION |
|---------------------------|-----|--------------------------|---------|---|
| R41 (29h) Input Mixer3 | 8 | IN2L_TO_MIXINL | 0 | IN2L PGA Output to MIXINL Mute 0 = Mute 1 = Un-Mute |
| | 7 | IN2L_MIXINL_VOL | 0 | IN2L PGA Output to MIXINL Gain 0 = 0dB 1 = +30dB |
| | 5 | IN1L_TO_MIXINL | 0 | IN1L PGA Output to MIXINL Mute 0 = Mute 1 = Un-Mute |
| | 4 | IN1L_MIXINL_VOL | 0 | IN1L PGA Output to MIXINL Gain 0 = 0dB 1 = +30dB |
| | 2:0 | MIXOUTL_MIXINL_VOL [2:0] | 000 | Record Path MIXOUTL to MIXINL Gain and Mute 000 = Mute 001 = -12dB 010 = -9dB 011 = -6dB 100 = -3dB 101 = 0dB 110 = +3dB 111 = +6dB |

Register 29h Input Mixer3

| REGISTER ADDRESS | BIT | LABEL | DEFAULT | DESCRIPTION |
|---------------------------|-----|----------------|---------|---|
| R42 (2Ah) Input Mixer4 | 8 | IN2R_TO_MIXINR | 0 | IN2R PGA Output to MIXINR Mute 0 = Mute 1 = Un-Mute |
| | 7 | IN2R_MIXINR_ | 0 | IN2R PGA Output to MIXINR Gain |

| REGISTER ADDRESS | BIT | LABEL | DEFAULT | DESCRIPTION |
|------------------|-----|--------------------------|---------|---|
| | | VOL | | 0 = 0dB 1 = +30dB |
| | 5 | IN1R_TO_MIXINR | 0 | IN1R PGA Output to MIXINR Mute 0 = Mute 1 = Un-Mute |
| | 4 | IN1R_MIXINR_VOL | 0 | IN1R PGA Output to MIXINR Gain 0 = 0dB 1 = +30dB |
| | 2:0 | MIXOUTR_MIXINR_VOL [2:0] | 000 | Record Path MIXOUTR to MIXINR Gain and Mute 000 = Mute 001 = -12dB 010 = -9dB 011 = -6dB 100 = -3dB 101 = 0dB 110 = +3dB 111 = +6dB |

Register 2Ah Input Mixer4

| REGISTER ADDRESS | BIT | LABEL | DEFAULT | DESCRIPTION |
|---------------------------|-----|------------------------|---------|--|
| R43 (2Bh) Input Mixer5 | 8:6 | IN1LP_MIXINL_VOL [2:0] | 000 | IN1LP Pin (PGA Bypass) to MIXINL Gain and Mute 000 = Mute 001 = -12dB 010 = -9dB 011 = -6dB 100 = -3dB 101 = 0dB 110 = +3dB 111 = +6dB |
| | 2:0 | IN2LP_MIXINL_VOL [2:0] | 000 | RXVOICE (VRXN/VRXP) Differential Input to MIXINL Gain and Mute 000 = Mute 001 = -12dB 010 = -9dB 011 = -6dB 100 = -3dB 101 = 0dB 110 = +3dB 111 = +6dB |

Register 2Bh Input Mixer5

| REGISTER ADDRESS | BIT | LABEL | DEFAULT | DESCRIPTION |
|---------------------------|-----|------------------------|---------|---|
| R44 (2Ch) Input Mixer6 | 8:6 | IN1RP_MIXINR_VOL [2:0] | 000 | IN1RP Pin (PGA Bypass) to MIXINR Gain and Mute 000 = Mute 001 = -12dB 010 = -9dB 011 = -6dB 100 = -3dB |

| REGISTER ADDRESS | BIT | LABEL | DEFAULT | DESCRIPTION |
|------------------|-----|------------------------|---------|--|
| | | | | 101 = 0dB 110 = +3dB 111 = +6dB |
| | 2:0 | IN2LP_MIXINR_VOL [2:0] | 000 | RXVOICE (VRXN/VRXP) Differential Input to MIXINR Gain and Mute 000 = Mute 001 = -12dB 010 = -9dB 011 = -6dB 100 = -3dB 101 = 0dB 110 = +3dB 111 = +6dB |

Register 2Ch Input Mixer6

| REGISTER ADDRESS | BIT | LABEL | DEFAULT | DESCRIPTION |
|----------------------------|-----|-------------------|---------|--|
| R45 (2Dh) Output Mixer1 | 8 | DACL_TO_HPOUT1L | 0 | HPOUT1LVOL (Left Headphone Output PGA) Input Select 0 = MIXOUTL 1 = DACL |
| | 7 | MIXINR_TO_MIXOUTL | 0 | MIXINR Output (Right ADC bypass) to MIXOUTL Mute 0 = Mute 1 = Un-mute |
| | 6 | MIXINL_TO_MIXOUTL | 0 | MIXINL Output (Left ADC bypass) to MIXOUTL Mute 0 = Mute 1 = Un-mute |
| | 5 | IN2RN_TO_MIXOUTL | 0 | IN2RN to MIXOUTL Mute 0 = Mute 1 = Un-mute |
| | 4 | IN2LN_TO_MIXOUTL | 0 | IN2LN to MIXOUTL Mute 0 = Mute 1 = Un-mute |
| | 3 | IN1R_TO_MIXOUTL | 0 | IN1R PGA Output to MIXOUTL Mute 0 = Mute 1 = Un-mute |
| | 2 | IN1L_TO_MIXOUTL | 0 | IN1L PGA Output to MIXOUTL Mute 0 = Mute 1 = Un-mute |
| | 1 | IN2LP_TO_MIXOUTL | 0 | IN2LP to MIXOUTL Mute 0 = Mute 1 = Un-mute |
| | 0 | DACL_TO_MIXOUTL | 0 | Left DAC to MIXOUTL Mute 0 = Mute 1 = Un-mute |

Register 2Dh Output Mixer1

| REGISTER ADDRESS | BIT | LABEL | DEFAULT | DESCRIPTION |
|---------------------|-----|-----------------|---------|--|
| R46 (2Eh) Output | 8 | DACR_TO_HPOUT1R | 0 | HPOUT1RVOL (Right Headphone Output PGA) Input Select |

| REGISTER ADDRESS | BIT | LABEL | DEFAULT | DESCRIPTION |
|------------------|-----|-------------------|---------|---|
| Mixer2 | | | | 0 = MIXOUTR 1 = DACR |
| | 7 | MIXINL_TO_MIXOUTR | 0 | MIXINL Output (Left ADC bypass) to MIXOUTR Mute 0 = Mute 1 = Un-mute |
| | 6 | MIXINR_TO_MIXOUTR | 0 | MIXINR Output (Right ADC bypass) to MIXOUTR Mute 0 = Mute 1 = Un-mute |
| | 5 | IN2LN_TO_MIXOUTR | 0 | IN2LN to MIXOUTR Mute 0 = Mute 1 = Un-mute |
| | 4 | IN2RN_TO_MIXOUTR | 0 | IN2RN to MIXOUTR Mute 0 = Mute 1 = Un-mute |
| | 3 | IN1L_TO_MIXOUTR | 0 | IN1L PGA Output to MIXOUTR Mute 0 = Mute 1 = Un-mute |
| | 2 | IN1R_TO_MIXOUTR | 0 | IN1R PGA Output to MIXOUTR Mute 0 = Mute 1 = Un-mute |
| | 1 | IN2RP_TO_MIXOUTR | 0 | IN2RP to MIXOUTR Mute 0 = Mute 1 = Un-mute |
| | 0 | DACR_TO_MIXOUTR | 0 | Right DAC to MIXOUTR Mute 0 = Mute 1 = Un-mute |

Register 2Eh Output Mixer2

| REGISTER ADDRESS | BIT | LABEL | DEFAULT | DESCRIPTION |
|----------------------------|------|-------------------------|---------|--|
| R47 (2Fh) Output Mixer3 | 11:9 | IN2LP_MIXOUTL_VOL [2:0] | 000 | IN2LP to MIXOUTL Volume 0dB to -21dB in 3dB steps 000 = 0dB 001 = -3dB ... 110 = -18dB 111 = -21dB |
| | 8:6 | IN2LN_MIXOUTL_VOL [2:0] | 000 | IN2LN to MIXOUTL Volume 0dB to -21dB in 3dB steps 000 = 0dB 001 = -3dB ... 110 = -18dB 111 = -21dB |
| | 5:3 | IN1R_MIXOUTL_VOL [2:0] | 000 | IN1R PGA Output to MIXOUTL Volume 0dB to -21dB in 3dB steps 000 = 0dB 001 = -3dB ... 110 = -18dB 111 = -21dB |

| REGISTER ADDRESS | BIT | LABEL | DEFAULT | DESCRIPTION |
|------------------|-----|------------------------|---------|--|
| | 2:0 | IN1L_MIXOUTL_VOL [2:0] | 000 | IN1L PGA Output to MIXOUTL Volume 0dB to -21dB in 3dB steps 000 = 0dB 001 = -3dB ... 110 = -18dB 111 = -21dB |

Register 2Fh Output Mixer3

| REGISTER ADDRESS | BIT | LABEL | DEFAULT | DESCRIPTION |
|----------------------------|------|-------------------------|---------|--|
| R48 (30h) Output Mixer4 | 11:9 | IN2RP_MIXOUTR_VOL [2:0] | 000 | IN2RP to MIXOUTR Volume 0dB to -21dB in 3dB steps 000 = 0dB 001 = -3dB ... 110 = -18dB 111 = -21dB |
| | 8:6 | IN2RN_MIXOUTR_VOL [2:0] | 000 | IN2RN to MIXOUTR Volume 0dB to -21dB in 3dB steps 000 = 0dB 001 = -3dB ... 110 = -18dB 111 = -21dB |
| | 5:3 | IN1L_MIXOUTR_VOL [2:0] | 000 | IN1L PGA Output to MIXOUTR Volume 0dB to -21dB in 3dB steps 000 = 0dB 001 = -3dB ... 110 = -18dB 111 = -21dB |
| | 2:0 | IN1R_MIXOUTR_VOL [2:0] | 000 | IN1R PGA Output to MIXOUTR Volume 0dB to -21dB in 3dB steps 000 = 0dB 001 = -3dB ... 110 = -18dB 111 = -21dB |

Register 30h Output Mixer4

| REGISTER ADDRESS | BIT | LABEL | DEFAULT | DESCRIPTION |
|----------------------------|------|------------------------|---------|---|
| R49 (31h) Output Mixer5 | 11:9 | DACL_MIXOUTL_VOL [2:0] | 000 | Left DAC to MIXOUTL Volume 0dB to -21dB in 3dB steps 000 = 0dB 001 = -3dB ... 110 = -18dB 111 = -21dB |

| REGISTER ADDRESS | BIT | LABEL | DEFAULT | DESCRIPTION |
|------------------|-----|--------------------------|---------|---|
| | 8:6 | IN2RN_MIXOUTL_VOL [2:0] | 000 | IN2RN to MIXOUTL Volume 0dB to -21dB in 3dB steps 000 = 0dB 001 = -3dB ... 110 = -18dB 111 = -21dB |
| | 5:3 | MIXINR_MIXOUTL_VOL [2:0] | 000 | MIXINR Output (Right ADC bypass) to MIXOUTL Volume 0dB to -21dB in 3dB steps 000 = 0dB 001 = -3dB ... 110 = -18dB 111 = -21dB |
| | 2:0 | MIXINL_MIXOUTL_VOL [2:0] | 000 | MIXINL Output (Left ADC bypass) to MIXOUTL Volume 0dB to -21dB in 3dB steps 000 = 0dB 001 = -3dB ... 110 = -18dB 111 = -21dB |

Register 31h Output Mixer5

| REGISTER ADDRESS | BIT | LABEL | DEFAULT | DESCRIPTION |
|----------------------------|------|--------------------------|---------|--|
| R50 (32h) Output Mixer6 | 11:9 | DACR_MIXOUTR_VOL [2:0] | 000 | Right DAC to MIXOUTR Volume 0dB to -21dB in 3dB steps 000 = 0dB 001 = -3dB ... 110 = -18dB 111 = -21dB |
| | 8:6 | IN2LN_MIXOUTR_VOL [2:0] | 000 | IN2LN to MIXOUTR Volume 0dB to -21dB in 3dB steps 000 = 0dB 001 = -3dB ... 110 = -18dB 111 = -21dB |
| | 5:3 | MIXINL_MIXOUTR_VOL [2:0] | 000 | MIXINL Output (Left ADC bypass) to MIXOUTR Volume 0dB to -21dB in 3dB steps 000 = 0dB 001 = -3dB ... 110 = -18dB 111 = -21dB |
| | 2:0 | MIXINR_MIXOUTR_VOL [2:0] | 000 | MIXINR Output (Right ADC bypass) to MIXOUTR Volume 0dB to -21dB in 3dB steps 000 = 0dB 001 = -3dB ... |

| REGISTER ADDRESS | BIT | LABEL | DEFAULT | DESCRIPTION |
|------------------|-----|-------|---------|----------------------------|
| | | | | 110 = -18dB 111 = -21dB |

Register 32h Output Mixer6

| REGISTER ADDRESS | BIT | LABEL | DEFAULT | DESCRIPTION |
|------------------------------|-----|--------------------------|---------|--|
| R51 (33h) HPOUT2 Mixer | 5 | IN2LRP_TO_HP OUT2 | 0 | Direct Voice (Differential Input, VRXN/VRXP) to Earpiece Driver 0 = Mute 1 = Un-mute |
| | 4 | MIXOUTLVOL_ TO_HPOUT2 | 0 | MIXOUTLVOL (Left Output Mixer PGA) to Earpiece Driver 0 = Mute 1 = Un-mute |
| | 3 | MIXOUTRVOL_ TO_HPOUT2 | 0 | MIXOUTRVOL (Right Output Mixer PGA) to Earpiece Driver 0 = Mute 1 = Un-mute |

Register 33h HPOUT2 Mixer

| REGISTER ADDRESS | BIT | LABEL | DEFAULT | DESCRIPTION |
|--------------------------|-----|--------------------------|---------|--|
| R52 (34h) Line Mixer1 | 6 | MIXOUTL_TO_L INEOUT1N | 0 | MIXOUTL to Single-Ended Line Output on LINEOUT1N 0 = Mute 1 = Un-mute (LINEOUT1_MODE = 1) |
| | 5 | MIXOUTR_TO_ LINEOUT1N | 0 | MIXOUTR to Single-Ended Line Output on LINEOUT1N 0 = Mute 1 = Un-mute (LINEOUT1_MODE = 1) |
| | 4 | LINEOUT1_MO DE | 0 | LINEOUT1 Mode Select 0 = Differential 1 = Single-Ended |
| | 2 | IN1R_TO_LINE OUT1P | 0 | IN1R Input PGA to Differential Line Output on LINEOUT1 0 = Mute 1 = Un-mute (LINEOUT1_MODE = 0) |
| | 1 | IN1L_TO_LINE OUT1P | 0 | IN1L Input PGA to Differential Line Output on LINEOUT1 0 = Mute 1 = Un-mute (LINEOUT1_MODE = 0) |
| | 0 | MIXOUTL_TO_L INEOUT1P | 0 | Differential Mode (LINEOUT1_MODE = 0): MIXOUTL to Differential Output on LINEOUT1 0 = Mute 1 = Un-mute Single Ended Mode (LINEOUT1_MODE = 1): MIXOUTL to Single-Ended Line Output on LINEOUT1P 0 = Mute 1 = Un-mute |

Register 34h Line Mixer1

| REGISTER ADDRESS | BIT | LABEL | DEFAULT | DESCRIPTION |
|--------------------------|-----|----------------------|---------|--|
| R53 (35h) Line Mixer2 | 6 | MIXOUTR_TO_LINEOUT2N | 0 | MIXOUTR to Single-Ended Line Output on LINEOUT2N 0 = Mute 1 = Un-mute (LINEOUT2_MODE = 1) |
| | 5 | MIXOUTL_TO_LINEOUT2N | 0 | MIXOUTL to Single-Ended Line Output on LINEOUT2N 0 = Mute 1 = Un-mute (LINEOUT2_MODE = 1) |
| | 4 | LINEOUT2_MODE | 0 | LINEOUT2 Mode Select 0 = Differential 1 = Single-Ended |
| | 2 | IN1L_TO_LINEOUT2P | 0 | IN1L Input PGA to Differential Line Output on LINEOUT2 0 = Mute 1 = Un-mute (LINEOUT2_MODE = 0) |
| | 1 | IN1R_TO_LINEOUT2P | 0 | IN1R Input PGA to Differential Line Output on LINEOUT2 0 = Mute 1 = Un-mute (LINEOUT2_MODE = 0) |
| | 0 | MIXOUTR_TO_LINEOUT2P | 0 | Differential Mode (LINEOUT2_MODE = 0): MIXOUTR to Differential Output on LINEOUT2 0 = Mute 1 = Un-mute Single-Ended Mode (LINEOUT2_MODE = 0): MIXOUTR to Single-Ended Line Output on LINEOUT2P 0 = Mute 1 = Un-mute |

Register 35h Line Mixer2

| REGISTER ADDRESS | BIT | LABEL | DEFAULT | DESCRIPTION |
|----------------------------|-----|--------------------|---------|--|
| R54 (36h) Speaker Mixer | 8 | SPKAB_REF_SEL | 0 | Selects Reference for Speaker in Class AB mode 0 = SPKVDD/2 1 = VMID |
| | 7 | MIXINL_TO_SPKMIXL | 0 | MIXINL (Left ADC bypass) to SPKMIXL Mute 0 = Mute 1 = Un-mute |
| | 6 | MIXINR_TO_SPKMIXR | 0 | MIXINR (Right ADC bypass) to SPKMIXR Mute 0 = Mute 1 = Un-mute |
| | 5 | IN1LP_TO_SPKMIXL | 0 | IN1LP to SPKMIXL Mute 0 = Mute 1 = Un-mute |
| | 4 | IN1RP_TO_SPKMIXR | 0 | IN1RP to SPKMIXR Mute 0 = Mute 1 = Un-mute |
| | 3 | MIXOUTL_TO_SPKMIXL | 0 | Left Mixer Output to SPKMIXL Mute 0 = Mute 1 = Un-mute |

| REGISTER ADDRESS | BIT | LABEL | DEFAULT | DESCRIPTION |
|------------------|-----|--------------------|---------|---|
| | 2 | MIXOUTR_TO_SPKMIXR | 0 | Right Mixer Output to SPKMIXR Mute 0 = Mute 1 = Un-mute |
| | 1 | DACL_TO_SPKMIXL | 0 | Left DAC to SPKMIXL Mute 0 = Mute 1 = Un-mute |
| | 0 | DACR_TO_SPKMIXR | 0 | Right DAC to SPKMIXR Mute 0 = Mute 1 = Un-mute |

Register 36h Speaker Mixer

| REGISTER ADDRESS | BIT | LABEL | DEFAULT | DESCRIPTION |
|---------------------------------|-----|-------------|---------|--|
| R55 (37h) Additional Control | 7 | LINEOUT1_FB | 0 | Enable ground loop noise feedback on LINEOUT1 0 = Disabled 1 = Enabled |
| | 6 | LINEOUT2_FB | 0 | Enable ground loop noise feedback on LINEOUT2 0 = Disabled 1 = Enabled |
| | 0 | VROI | 0 | Buffered VMID to Analogue Line Output Resistance (Disabled Outputs) 0 = 20kohm from buffered VMID to output 1 = 1000ohm from buffered VMID to output |

Register 37h Additional Control

| REGISTER ADDRESS | BIT | LABEL | DEFAULT | DESCRIPTION |
|-----------------------|-----|----------------------|---------|--|
| R56 (38h) AntiPOP1 | 7 | LINEOUT_VMID_BUF_ENA | 0 | Enables VMID reference for line outputs in single-ended mode 0 = Disabled 1 = Enabled |
| | 6 | HPOUT2_IN_ENA | 0 | HPOUT2MIX Mixer and Input Stage Enable 0 = Disabled 1 = Enabled |
| | 5 | LINEOUT1_DISCH | 0 | Discharges LINEOUT1P and LINEOUT1N outputs via approx 4k Ω resistor 0 = Not active 1 = Actively discharging LINEOUT1P and LINEOUT1N |
| | 4 | LINEOUT2_DISCH | 0 | Discharges LINEOUT2P and LINEOUT2N outputs via approx 4k Ω resistor 0 = Not active 1 = Actively discharging LINEOUT2P and LINEOUT2N |

Register 38h AntiPOP1

| REGISTER ADDRESS | BIT | LABEL | DEFAULT | DESCRIPTION |
|-----------------------|-----|------------------|---------|--|
| R57 (39h) AntiPOP2 | 6:5 | VMID_RAMP [1:0] | 00 | VMID soft start enable / slew rate control 00 = Normal / Slow start 01 = Normal / Fast start 10 = Soft / Slow start 11 = Soft / Fast start If VMID_RAMP = 1X is selected for VMID start-up or shut-down, then the soft-start circuit must be reset by setting VMID_RAMP=00 after VMID is disabled, before VMID is re-enabled. VMID is disabled / enabled using the VMID_SEL register. |
| | 3 | VMID_BUF_ENA | 0 | VMID Buffer Enable 0 = Disabled 1 = Enabled |
| | 2 | STARTUP_BIAS_ENA | 0 | Enables the Start-Up bias current generator 0 = Disabled 1 = Enabled |
| | 1 | BIAS_SRC | 0 | Selects the bias current source 0 = Normal bias 1 = Start-Up bias |
| | 0 | VMID_DISCH | 0 | Connects VMID to ground 0 = Disabled 1 = Enabled |

Register 39h AntiPOP2

| REGISTER ADDRESS | BIT | LABEL | DEFAULT | DESCRIPTION |
|----------------------|-----|----------------|---------|---|
| R58 (3Ah) MICBIAS | 7:6 | JD_SCTHR [1:0] | 00 | Jack Detect (MICBIAS) Short Circuit threshold 00 = 300uA 01 = 600uA 10 = 1200uA 11 = 2400uA These values are for AVDD1=3.0V and scale proportionally with AVDD1. |
| | 5:3 | JD_THR [2:0] | 000 | Jack Detect (MICBIAS) Current Detect threshold 00 = 150uA 01 = 300uA 10 = 600uA 11 = 1200uA These values are for AVDD1=3.0V and scale proportionally with AVDD1. |
| | 2 | JD_ENA | 0 | Jack Detect (MICBIAS) function enable 0 = disabled 1 = enabled |
| | 1 | MICB2_LVL | 0 | Microphone Bias 2 Voltage Control 0 = 0.9 * AVDD1 1 = 0.65 * AVDD1 |
| | 0 | MICB1_LVL | 0 | Microphone Bias 1 Voltage Control 0 = 0.9 * AVDD1 1 = 0.65 * AVDD1 |

Register 3Ah MICBIAS

| REGISTER ADDRESS | BIT | LABEL | DEFAULT | DESCRIPTION |
|----------------------------|-----|-------------|---------|--|
| R60 (3Ch) FLL Control 1 | 2 | FLL_FRAC | 0 | Fractional enable 0 = Integer Mode 1 = Fractional Mode 1 recommended in all cases |
| | 1 | FLL_OSC_ENA | 0 | FLL Oscillator Enable 0 = FLL disabled 1 = FLL enabled (Note that this field is required for free-running FLL modes only) |
| | 0 | FLL_ENA | 0 | FLL Enable 0 = FLL disabled 1 = FLL enabled |

Register 3Ch FLL Control 1

| REGISTER ADDRESS | BIT | LABEL | DEFAULT | DESCRIPTION |
|----------------------------|------|------------------|---------|---|
| R61 (3Dh) FLL Control 2 | 10:8 | FLL_OUTDIV [2:0] | 000 | FOUT clock divider 000 = 2 001 = 4 010 = 8 011 = 16 100 = 32 101 = 64 110 = 128 111 = 256 (FOUT = FVCO / FLL_OUTDIV) |
| | 2:0 | FLL_FRATIO [2:0] | 000 | FVCO clock divider 000 = 1 001 = 2 010 = 4 011 = 8 1XX = 16 |

Register 3Dh FLL Control 2

| REGISTER ADDRESS | BIT | LABEL | DEFAULT | DESCRIPTION |
|----------------------------|------|--------------|-----------------------------|---|
| R62 (3Eh) FLL Control 3 | 15:0 | FLL_K [15:0] | 0000_0000 _0000_000 0 | Fractional multiply for FREF (MSB = 0.5) |

Register 3Eh FLL Control 3

| REGISTER ADDRESS | BIT | LABEL | DEFAULT | DESCRIPTION |
|----------------------------|------|-------------|------------------|--|
| R63 (3Fh) FLL Control 4 | 14:5 | FLL_N [9:0] | 01_0111_0 111 | Integer multiply for FREF (LSB = 1) |

Register 3Fh FLL Control 4

| REGISTER ADDRESS | BIT | LABEL | DEFAULT | DESCRIPTION |
|----------------------------|------|-----------------------|---------|---|
| R64 (40h) FLL Control 5 | 12:7 | FLL_FRC_NCO_VAL [5:0] | 00_0000 | Forces the oscillator value Valid range is 000000 to 111111 0x19h (011001) = 12MHz approx (Note that this field is required for free-running FLL modes only) |
| | 6 | FLL_FRC_NCO | 0 | FLL control select 0 = controlled by digital loop (default) 1 = controlled by FLL_FRC_NCO_VAL (Note that this field is required for free-running FLL modes only) |
| | 4:3 | FLL_CLK_REF_DIV [1:0] | 00 | FLL Clock Reference Divider 00 = MCLK / 1 01 = MCLK / 2 10 = MCLK / 4 11 = MCLK / 8 MCLK (or other input reference) must be divided down to <=13.5MHz. For lower power operation, the reference clock can be divided down further if desired. |
| | 1:0 | FLL_CLK_SRC [1:0] | 10 | FLL Clock source 00 = MCLK 01 = LRCLK 10 = BCLK 11 = Reserved |

Register 40h FLL Control 5

| REGISTER ADDRESS | BIT | LABEL | DEFAULT | DESCRIPTION |
|-------------------------|-------|--------------------|---------|--|
| R65 (41h) Clocking 3 | 13:10 | CLK_DCS_DIV [3:0] | 1000 | DC Servo Clock Divider 0000 = CLK_SYS 0001 = CLK_SYS / 1.5 0010 = CLK_SYS / 2 0011 = CLK_SYS / 2.5 0100 = CLK_SYS / 3 0101 = CLK_SYS / 4 0110 = CLK_SYS / 5.5 0111 = CLK_SYS / 6 1000 = CLK_SYS / 8 Note - this field is ignored and invalid in Automatic Clocking Configuration mode. |
| | 9:7 | SAMPLE_RATE [2:0] | 101 | Selects the Sample Rate (fs) 000 = 8kHz 001 = 11.025kHz, 12kHz 010 = 16kHz 011 = 22.05kHz, 24kHz 100 = 32kHz 101 = 44.1kHz, 48kHz |
| | 4:1 | CLK_SYS_RATE [3:0] | 0011 | Selects the CLK_SYS / fs ratio 0000 = 64 0001 = 128 |

| REGISTER ADDRESS | BIT | LABEL | DEFAULT | DESCRIPTION |
|------------------|-----|-------------|---------|---|
| | | | | 0010 = 192 0011 = 256 0100 = 384 0101 = 512 0110 = 768 0111 = 1024 1000 = 1408 1001 = 1536 |
| | 0 | CLK_DSP_ENA | 1 | CLK_DSP enable 0 = disabled 1 = enabled |

Register 41h Clocking 3

| REGISTER ADDRESS | BIT | LABEL | DEFAULT | DESCRIPTION |
|-------------------------|-----|--------------------|---------|--|
| R66 (42h) Clocking 4 | 9 | DAC_DIV4 | 1 | DAC Divide-by-4 select 0 = DAC_DIV 1 = DAC_DIV / 4 Note - this field is ignored and invalid in Automatic Clocking Configuration mode. |
| | 6:1 | CLK_256K_DIV [5:0] | 10_1111 | 256kHz Clock Divider 0d = CLK_SYS 1d = CLK_SYS / 2 2d = CLK_SYS / 3 63d = CLK_SYS / 64 Note - this field is ignored and invalid in Automatic Clocking Configuration mode. |
| | 0 | SR_MODE | 1 | Selects Clocking Configuration mode 0 = Automatic 1 = Manual |

Register 42h Clocking 4

| REGISTER ADDRESS | BIT | LABEL | DEFAULT | DESCRIPTION |
|----------------------------|-----|-------------|---------|---|
| R69 (45h) Bus Control 1 | 1 | CLK_SYS_ENA | 1 | CLK_SYS enable 0 = disabled 1 = enabled |

Register 45h Bus Control 1

| REGISTER ADDRESS | BIT | LABEL | DEFAULT | DESCRIPTION |
|--------------------------------|-----|------------------------|---------|--|
| R70 (46h) Write Sequencer 0 | 8 | WSEQ_ENA | 0 | Write Sequencer Enable. 0 = Disabled 1 = Enabled |
| | 4:0 | WSEQ_WRITE_INDEX [4:0] | 0_0000 | Sequence Write Index. This is the memory location to which any updates to R71 and R72 will be copied. 0 to 31 = RAM addresses |

Register 46h Write Sequencer 0

| REGISTER ADDRESS | BIT | LABEL | DEFAULT | DESCRIPTION |
|--------------------------------|-------|-----------------------|-----------|---|
| R71 (47h) Write Sequencer 1 | 14:12 | WSEQ_DATA_WIDTH [2:0] | 000 | Width of the data block written in this sequence step. 000 = 1 bit 001 = 2 bits 010 = 3 bits 011 = 4 bits 100 = 5 bits 101 = 6 bits 110 = 7 bits 111 = 8 bits |
| | 11:8 | WSEQ_DATA_START [3:0] | 0000 | Bit position of the LSB of the data block written in this sequence step. 0000 = Bit 0 ... 1111 = Bit 15 |
| | 7:0 | WSEQ_ADDR [7:0] | 0000_0000 | Control Register Address to be written to in this sequence step. |

Register 47h Write Sequencer 1

| REGISTER ADDRESS | BIT | LABEL | DEFAULT | DESCRIPTION |
|--------------------------------|------|------------------|-----------|---|
| R72 (48h) Write Sequencer 2 | 14 | WSEQ_EOS | 0 | End of Sequence flag. This bit indicates whether the Control Write Sequencer should stop after executing this step. 0 = Not end of sequence 1 = End of sequence (Stop the sequencer after this step). |
| | 11:8 | WSEQ_DELAY [3:0] | 0000 | Time delay after executing this step. Total time per step (including execution) = $62.5\mu\text{s} \times (2^{\text{WSEQ_DELAY}} + 8)$ |
| | 7:0 | WSEQ_DATA [7:0] | 0000_0000 | Data to be written in this sequence step. When the data width is less than 8 bits, then one or more of the MSBs of WSEQ_DATA are ignored. It is recommended that unused bits be set to 0. |

Register 48h Write Sequencer 2

| REGISTER ADDRESS | BIT | LABEL | DEFAULT | DESCRIPTION |
|--------------------------------|-----|------------------------|---------|--|
| R73 (49h) Write Sequencer 3 | 9 | WSEQ_ABORT | 0 | Writing a 1 to this bit aborts the current sequence and returns control of the device back to the serial control interface. |
| | 8 | WSEQ_START | 0 | Writing a 1 to this bit starts the write sequencer at the memory location indicated by the WSEQ_START_INDEX field. The sequence continues until it reaches an "End of sequence" flag. At the end of the sequence, this bit will be reset by the Write Sequencer. |
| | 5:0 | WSEQ_START_INDEX [5:0] | 00_0000 | Sequence Start Index. This is the memory location of the first command in the selected sequence. 0 to 31 = RAM addresses 32 to 58 = ROM addresses 59 to 63 = Reserved |

Register 49h Write Sequencer 3

| REGISTER ADDRESS | BIT | LABEL | DEFAULT | DESCRIPTION |
|-----------------------------------|-----|-----------|---------|---|
| R74 (4Ah) Write Sequencer 4 | 0 | WSEQ_BUSY | 0 | Sequencer Busy flag (Read Only). 0 = Sequencer idle 1 = Sequencer busy Note: it is not possible to write to control registers via the control interface while the Sequencer is Busy. |

Register 4Ah Write Sequencer 4

| REGISTER ADDRESS | BIT | LABEL | DEFAULT | DESCRIPTION |
|-----------------------------------|-----|------------------------------|---------|---|
| R75 (4Bh) Write Sequencer 5 | 5:0 | WSEQ_CURRE NT_INDEX [5:0] | 00_0000 | Sequence Current Index. This is the location of the most recently accessed command in the write sequencer memory. |

Register 4Bh Write Sequencer 5

| REGISTER ADDRESS | BIT | LABEL | DEFAULT | DESCRIPTION |
|-------------------------------|----------|----------|--------------------------|--|
| R76 (4Ch) Charge Pump 1 | 15 | CP_ENA | 0 | Enable charge-pump digits 0 = disable 1 = enable Note: Default value of R76[14:0] (0x1F25h) must not be changed when enabling/disabling the Charge Pump |
| | 12 | Reserved | 1 | Reserved - do not change |
| | 11 | Reserved | 1 | Reserved - do not change |
| | 10 | Reserved | 1 | Reserved - do not change |
| | 9 | Reserved | 1 | Reserved - do not change |
| | 8 | Reserved | 1 | Reserved - do not change |
| | 5 | Reserved | 1 | Reserved - do not change |
| | 2 | Reserved | 1 | Reserved - do not change |
| 0 | Reserved | 1 | Reserved - do not change | |

Register 4Ch Charge Pump 1

| REGISTER ADDRESS | BIT | LABEL | DEFAULT | DESCRIPTION |
|------------------------|-----|------------|---------|---|
| R81 (51h) Class W 0 | 0 | CP_DYN_PWR | 0 | Enable dynamic charge pump power control 0 = charge pump controlled by volume register settings (Class G) 1 = charge pump controlled by real-time audio level (Class W) |

Register 51h Class W 0

| REGISTER ADDRESS | BIT | LABEL | DEFAULT | DESCRIPTION |
|----------------------|-----|--------------------|---------|--|
| R84 (54h) DC Servo 0 | 13 | DCS_TRIG_SINGLE_1 | 0 | Writing 1 to this bit selects a single DC offset correction for HPOUT1R. In readback, a value of 1 indicates that the DC Servo single correction is in progress. |
| | 12 | DCS_TRIG_SINGLE_0 | 0 | Writing 1 to this bit selects a single DC offset correction for HPOUT1L. In readback, a value of 1 indicates that the DC Servo single correction is in progress. |
| | 9 | DCS_TRIG_SERIES_1 | 0 | Writing 1 to this bit selects a series of DC offset corrections for HPOUT1R. In readback, a value of 1 indicates that the DC Servo DAC Write correction is in progress. |
| | 8 | DCS_TRIG_SERIES_0 | 0 | Writing 1 to this bit selects a series of DC offset corrections for HPOUT1L. In readback, a value of 1 indicates that the DC Servo DAC Write correction is in progress. |
| | 5 | DCS_TRIG_STARTUP_1 | 0 | Writing 1 to this bit selects Start-Up DC Servo mode for HPOUT1R. In readback, a value of 1 indicates that the DC Servo Start-Up correction is in progress. |
| | 4 | DCS_TRIG_STARTUP_0 | 0 | Writing 1 to this bit selects Start-Up DC Servo mode for HPOUT1L. In readback, a value of 1 indicates that the DC Servo Start-Up correction is in progress. |
| | 3 | DCS_TRIG_DAC_WR_1 | 0 | Writing 1 to this bit selects DAC Write DC Servo mode for HPOUT1R. In readback, a value of 1 indicates that the DC Servo DAC Write correction is in progress. |
| | 2 | DCS_TRIG_DAC_WR_0 | 0 | Writing 1 to this bit selects DAC Write DC Servo mode for HPOUT1L. In readback, a value of 1 indicates that the DC Servo DAC Write correction is in progress. |
| | 1 | DCS_ENA_CHANNEL_1 | 0 | DC Servo enable for HPOUT1R 0 = disabled 1 = enabled |
| | 0 | DCS_ENA_CHANNEL_0 | 0 | DC Servo enable for HPOUT1L 0 = disabled 1 = enabled |

Register 54h DC Servo 0

| REGISTER ADDRESS | BIT | LABEL | DEFAULT | DESCRIPTION |
|----------------------|------|---------------------------|----------|--|
| R85 (55h) DC Servo 1 | 11:5 | DCS_SERIES_NO_01 [6:0] | 010_1010 | Number of DC Servo updates to perform in a series event. 0 = 1 updates 1 = 2 updates ... 127 = 128 updates |
| | 3:0 | DCS_TIMER_PERIOD_01 [3:0] | 1010 | Time between periodic updates. Time is calculated as $0.256s \times (2^{\text{PERIOD}})$ 0000 = Off 0001 = 0.52s 1010 = 266s (4min 26s) 1111 = 8519s (2hr 22s) |

Register 55h DC Servo 1

| REGISTER ADDRESS | BIT | LABEL | DEFAULT | DESCRIPTION |
|----------------------|------|------------------------|-----------|--|
| R87 (57h) DC Servo 3 | 15:8 | DCS_DAC_WR_VAL_1 [7:0] | 0000_0000 | DC Offset value for HPOUT1Rin DAC Write DC Servo mode. Two's complement format. LSB is 0.25mV. Range is -32mV to +31.75mV |
| | 7:0 | DCS_DAC_WR_VAL_0 [7:0] | 0000_0000 | DC Offset value for HPOUT1Lin DAC Write DC Servo mode. Two's complement format. LSB is 0.25mV. Range is -32mV to +31.75mV |

Register 57h DC Servo 3

| REGISTER ADDRESS | BIT | LABEL | DEFAULT | DESCRIPTION |
|-------------------------------|-----|----------------------------|---------|---|
| R88 (58h) DC Servo Readback 0 | 9:8 | DCS_CAL_COMPLETE [1:0] | 00 | DC Servo Complete status 0 = DAC Write or Start-Up DC Servo mode not completed. 1 = DAC Write or Start-Up DC Servo mode complete. Bit [1] = HPOUT1R Bit [0] = HPOUT1L |
| | 5:4 | DCS_DAC_WR_COMPLETE [1:0] | 00 | DC Servo DAC Write status 0 = DAC Write DC Servo mode not completed. 1 = DAC Write DC Servo mode complete. Bit [1] = HPOUT1R Bit [0] = HPOUT1L |
| | 1:0 | DCS_STARTUP_COMPLETE [1:0] | 00 | DC Servo Start-Up status 0 = Start-Up DC Servo mode not completed. 1 = Start-Up DC Servo mode complete. Bit [1] = HPOUT1R Bit [0] = HPOUT1L |

Register 58h DC Servo Readback 0

| REGISTER ADDRESS | BIT | LABEL | DEFAULT | DESCRIPTION |
|-------------------------------|-----|-------------------------|-----------|---|
| R89 (59h) DC Servo Readback 1 | 7:0 | DCS_INTEG_C_HAN_1 [7:0] | 0000_0000 | Readback value for HPOUT1R. Two's complement format. LSB is 0.25mV. Range is -32mV to +31.75mV |

Register 59h DC Servo Readback 1

| REGISTER ADDRESS | BIT | LABEL | DEFAULT | DESCRIPTION |
|-------------------------------|-----|-------------------------|-----------|---|
| R90 (5Ah) DC Servo Readback 2 | 7:0 | DCS_INTEG_C_HAN_0 [7:0] | 0000_0000 | Readback value for HPOUT1L. Two's complement format. LSB is 0.25mV. Range is -32mV to +31.75mV |

Register 5Ah DC Servo Readback 2

| REGISTER ADDRESS | BIT | LABEL | DEFAULT | DESCRIPTION |
|-------------------------------|-----|-------------------|---------|---|
| R96 (60h) Analogue HP 0 | 8 | HPOUT1_AUTO_PU | 1 | Enables automatic power-up of HPOUT1 by monitoring HPOUT1L_ENA and HPOUT1R_ENA 0 = Disabled 1 = Enabled |
| | 7 | HPOUT1L_RMV_SHORT | 0 | Removes HPOUT1L short 0 = HPOUT1L short enabled 1 = HPOUT1L short removed For normal operation, this bit should be set as the final step of the HPOUT1L Enable sequence. |
| | 6 | HPOUT1L_OUT_P | 0 | Enables HPOUT1L output stage 0 = Disabled 1 = Enabled For normal operation, this bit should be set to 1 after the DC offset cancellation has been scheduled. |
| | 5 | HPOUT1L_DLY | 0 | Enables HPOUT1L intermediate stage 0 = Disabled 1 = Enabled For normal operation, this bit should be set to 1 after the output signal path has been configured, and before DC offset cancellation is scheduled. This bit should be set with at least 20us delay after HPOUT1L_ENA. |
| | 3 | HPOUT1R_RMV_SHORT | 0 | Removes HPOUT1R short 0 = HPOUT1R short enabled 1 = HPOUT1R short removed For normal operation, this bit should be set as the final step of the HPOUT1R Enable sequence. |
| | 2 | HPOUT1R_OUT_P | 0 | Enables HPOUT1R output stage 0 = Disabled 1 = Enabled For normal operation, this bit should be set to 1 after the DC offset cancellation has been scheduled. |
| | 1 | HPOUT1R_DLY | 0 | Enables HPOUT1R intermediate stage 0 = Disabled 1 = Enabled For normal operation, this bit should be set to 1 after the output signal path has been configured, and before DC offset cancellation is scheduled. This bit should be set with at least 20us delay after HPOUT1R_ENA. |

Register 60h Analogue HP 0

| REGISTER ADDRESS | BIT | LABEL | DEFAULT | DESCRIPTION |
|------------------|-----|--------|---------|--|
| R98 (62h) EQ1 | 0 | EQ_ENA | 0 | EQ Enable 0 = EQ disabled 1 = EQ enabled |

Register 62h EQ1

| REGISTER ADDRESS | BIT | LABEL | DEFAULT | DESCRIPTION |
|------------------|-----|---------------------|---------|--|
| R99 (63h) EQ2 | 4:0 | EQ_B1_GAIN [4:0] | 0_1100 | EQ Band 1 Gain 00000 = -12dB 00001 = -11dB ... 10111 = +11dB 11000 = +12dB 11001 to 11111 Reserved |

Register 63h EQ2

| REGISTER ADDRESS | BIT | LABEL | DEFAULT | DESCRIPTION |
|-------------------|-----|---------------------|---------|--|
| R100 (64h) EQ3 | 4:0 | EQ_B2_GAIN [4:0] | 0_1100 | EQ Band 2 Gain 00000 = -12dB 00001 = -11dB ... 10111 = +11dB 11000 = +12dB 11001 to 11111 Reserved |

Register 64h EQ3

| REGISTER ADDRESS | BIT | LABEL | DEFAULT | DESCRIPTION |
|-------------------|-----|---------------------|---------|--|
| R101 (65h) EQ4 | 4:0 | EQ_B3_GAIN [4:0] | 0_1100 | EQ Band 3 Gain 00000 = -12dB 00001 = -11dB ... 10111 = +11dB 11000 = +12dB 11001 to 11111 Reserved |

Register 65h EQ4

| REGISTER ADDRESS | BIT | LABEL | DEFAULT | DESCRIPTION |
|-------------------|-----|---------------------|---------|--|
| R102 (66h) EQ5 | 4:0 | EQ_B4_GAIN [4:0] | 0_1100 | EQ Band 4 Gain 00000 = -12dB 00001 = -11dB ... 10111 = +11dB 11000 = +12dB 11001 to 11111 Reserved |

Register 66h EQ5

| REGISTER ADDRESS | BIT | LABEL | DEFAULT | DESCRIPTION |
|-------------------|-----|---------------------|---------|--|
| R103 (67h) EQ6 | 4:0 | EQ_B5_GAIN [4:0] | 0_1100 | EQ Band 5 Gain 00000 = -12dB 00001 = -11dB ... 10111 = +11dB 11000 = +12dB 11001 to 11111 Reserved |

Register 67h EQ6

| REGISTER ADDRESS | BIT | LABEL | DEFAULT | DESCRIPTION |
|-------------------|------|----------------|-----------------------------|-------------------------|
| R104 (68h) EQ7 | 15:0 | EQ_B1_A [15:0] | 0000_1111 _1100_101 0 | EQ Band 1 Coefficient A |

Register 68h EQ7

| REGISTER ADDRESS | BIT | LABEL | DEFAULT | DESCRIPTION |
|-------------------|------|----------------|-----------------------------|-------------------------|
| R105 (69h) EQ8 | 15:0 | EQ_B1_B [15:0] | 0000_0100 _0000_000 0 | EQ Band 1 Coefficient B |

Register 69h EQ8

| REGISTER ADDRESS | BIT | LABEL | DEFAULT | DESCRIPTION |
|-------------------|------|--------------------|-----------------------------|--------------------------|
| R106 (6Ah) EQ9 | 15:0 | EQ_B1_PG [15:0] | 0000_0000 _1101_100 0 | EQ Band 1 Coefficient PG |

Register 6Ah EQ9

| REGISTER ADDRESS | BIT | LABEL | DEFAULT | DESCRIPTION |
|--------------------|------|----------------|-----------------------------|-------------------------|
| R107 (6Bh) EQ10 | 15:0 | EQ_B2_A [15:0] | 0001_1110 _1011_010 1 | EQ Band 2 Coefficient A |

Register 6Bh EQ10

| REGISTER ADDRESS | BIT | LABEL | DEFAULT | DESCRIPTION |
|--------------------|------|----------------|-----------------------------|-------------------------|
| R108 (6Ch) EQ11 | 15:0 | EQ_B2_B [15:0] | 1111_0001 _0100_010 1 | EQ Band 2 Coefficient B |

Register 6Ch EQ11

| REGISTER ADDRESS | BIT | LABEL | DEFAULT | DESCRIPTION |
|--------------------|------|----------------|-----------------------------|-------------------------|
| R109 (6Dh) EQ12 | 15:0 | EQ_B2_C [15:0] | 0000_1011 _0111_010 1 | EQ Band 2 Coefficient C |

Register 6Dh EQ12

| REGISTER ADDRESS | BIT | LABEL | DEFAULT | DESCRIPTION |
|--------------------|------|--------------------|-----------------------------|--------------------------|
| R110 (6Eh) EQ13 | 15:0 | EQ_B2_PG [15:0] | 0000_0001 _1100_010 1 | EQ Band 2 Coefficient PG |

Register 6Eh EQ13

| REGISTER ADDRESS | BIT | LABEL | DEFAULT | DESCRIPTION |
|--------------------|------|----------------|-----------------------------|-------------------------|
| R111 (6Fh) EQ14 | 15:0 | EQ_B3_A [15:0] | 0001_1100 _0101_100 0 | EQ Band 3 Coefficient A |

Register 6Fh EQ14

| REGISTER ADDRESS | BIT | LABEL | DEFAULT | DESCRIPTION |
|--------------------|------|----------------|-----------------------------|-------------------------|
| R112 (70h) EQ15 | 15:0 | EQ_B3_B [15:0] | 1111_0011 _0111_001 1 | EQ Band 3 Coefficient B |

Register 70h EQ15

| REGISTER ADDRESS | BIT | LABEL | DEFAULT | DESCRIPTION |
|--------------------|------|----------------|-----------------------------|-------------------------|
| R113 (71h) EQ16 | 15:0 | EQ_B3_C [15:0] | 0000_1010 _0101_010 0 | EQ Band 3 Coefficient C |

Register 71h EQ16

| REGISTER ADDRESS | BIT | LABEL | DEFAULT | DESCRIPTION |
|--------------------|------|--------------------|-----------------------------|--------------------------|
| R114 (72h) EQ17 | 15:0 | EQ_B3_PG [15:0] | 0000_0101 _0101_100 0 | EQ Band 3 Coefficient PG |

Register 72h EQ17

| REGISTER ADDRESS | BIT | LABEL | DEFAULT | DESCRIPTION |
|--------------------|------|----------------|-----------------------------|-------------------------|
| R115 (73h) EQ18 | 15:0 | EQ_B4_A [15:0] | 0001_0110 _1000_111 0 | EQ Band 4 Coefficient A |

Register 73h EQ18

| REGISTER ADDRESS | BIT | LABEL | DEFAULT | DESCRIPTION |
|--------------------|------|----------------|-----------------------------|-------------------------|
| R116 (74h) EQ19 | 15:0 | EQ_B4_B [15:0] | 1111_1000 _0010_100 1 | EQ Band 4 Coefficient B |

Register 74h EQ19

| REGISTER ADDRESS | BIT | LABEL | DEFAULT | DESCRIPTION |
|--------------------|------|----------------|-----------------------------|-------------------------|
| R117 (75h) EQ20 | 15:0 | EQ_B4_C [15:0] | 0000_0111 _1010_110 1 | EQ Band 4 Coefficient C |

Register 75h EQ20

| REGISTER ADDRESS | BIT | LABEL | DEFAULT | DESCRIPTION |
|--------------------|------|--------------------|-----------------------------|--------------------------|
| R118 (76h) EQ21 | 15:0 | EQ_B4_PG [15:0] | 0001_0001 _0000_001 1 | EQ Band 4 Coefficient PG |

Register 76h EQ21

| REGISTER ADDRESS | BIT | LABEL | DEFAULT | DESCRIPTION |
|--------------------|------|----------------|-----------------------------|-------------------------|
| R119 (77h) EQ22 | 15:0 | EQ_B5_A [15:0] | 0000_0101 _0110_010 0 | EQ Band 5 Coefficient A |

Register 77h EQ22

| REGISTER ADDRESS | BIT | LABEL | DEFAULT | DESCRIPTION |
|--------------------|------|----------------|-----------------------------|-------------------------|
| R120 (78h) EQ23 | 15:0 | EQ_B5_B [15:0] | 0000_0101 _0101_100 1 | EQ Band 5 Coefficient B |

Register 78h EQ23

| REGISTER ADDRESS | BIT | LABEL | DEFAULT | DESCRIPTION |
|--------------------|------|--------------------|-----------------------------|--------------------------|
| R121 (79h) EQ24 | 15:0 | EQ_B5_PG [15:0] | 0100_0000 _0000_000 0 | EQ Band 5 Coefficient PG |

Register 79h EQ24

| REGISTER ADDRESS | BIT | LABEL | DEFAULT | DESCRIPTION |
|-----------------------------|-----|-----------|---------|---|
| R122 (7Ah) Digital Pulls | 7 | MCLK_PU | 0 | MCLK pull-up resistor enable 0 = pull-up disabled 1 = pull-up enabled |
| | 6 | MCLK_PD | 0 | MCLK pull-down resistor enable 0 = pull-down disabled 1 = pull-down enabled |
| | 5 | DACDAT_PU | 0 | DACDAT pull-up resistor enable 0 = pull-up disabled 1 = pull-up enabled |
| | 4 | DACDAT_PD | 0 | DACDAT pull-down resistor enable 0 = pull-down disabled 1 = pull-down enabled |
| | 3 | LRCLK_PU | 0 | LRCLK pull-up resistor enable 0 = pull-up disabled 1 = pull-up enabled |
| | 2 | LRCLK_PD | 0 | LRCLK pull-down resistor enable 0 = pull-down disabled 1 = pull-down enabled |
| | 1 | BCLK_PU | 0 | BCLK pull-up resistor enable 0 = pull-up disabled 1 = pull-up enabled |
| | 0 | BCLK_PD | 0 | BCLK pull-down resistor enable 0 = pull-down disabled 1 = pull-down enabled |

Register 7Ah Digital Pulls

| REGISTER ADDRESS | BIT | LABEL | DEFAULT | DESCRIPTION |
|--------------------------------|-----|---------------------------|---------|---|
| R123 (7Bh) DRC Control 1 | 15 | DRC_ENA | 0 | DRC enable 0 = disabled 1 = enabled |
| | 14 | DRC_DAC_PAT H | 0 | DRC path select 0 = ADC path 1 = DAC path |
| | 11 | DRC_SMOOTH _ENA | 1 | Gain smoothing enable 0 = disabled 1 = enabled |
| | 10 | DRC_QR_ENA | 1 | Quick release enable 0 = disabled 1 = enabled |
| | 9 | DRC_ANTICLIP _ENA | 1 | Anti-clip enable 0 = disabled 1 = enabled |
| | 8 | DRC_HYST_EN A | 1 | Gain smoothing hysteresis enable 0 = disabled 1 = enabled |
| | 5:4 | DRC_THRESH_ HYST [1:0] | 00 | Gain smoothing hysteresis threshold 00 = Low 01 = Medium (recommended) 10 = High |

| REGISTER ADDRESS | BIT | LABEL | DEFAULT | DESCRIPTION |
|------------------|-----|-------------------|---------|--|
| | | | | 11 = Reserved |
| | 3:2 | DRC_MINGAIN [1:0] | 10 | Minimum gain the DRC can use to attenuate audio signals 00 = 0dB (default) 01 = -6dB 10 = -12dB 11 = -18dB |
| | 1:0 | DRC_MAXGAIN [1:0] | 00 | Maximum gain the DRC can use to boost audio signals 00 = 12dB 01 = 18dB (default) 10 = 24dB 11 = 36dB |

Register 7Bh DRC Control 1

| REGISTER ADDRESS | BIT | LABEL | DEFAULT | DESCRIPTION |
|-----------------------------|-------|-----------------------|---------|--|
| R124 (7Ch) DRC Control 2 | 15:12 | DRC_ATTACK_RATE [3:0] | 0000 | Gain attack rate (seconds/6dB) 0000 = Reserved 0001 = 181us 0010 = 363us 0011 = 726us 0100 = 1.45ms 0101 = 2.9ms 0110 = 5.8ms 0111 = 11.6ms 1000 = 23.2ms 1001 = 46.4ms 1010 = 92.8ms 1011 = 185.6ms 1100-1111 = Reserved |
| | 11:8 | DRC_DECAY_RATE [3:0] | 0000 | Gain decay rate (seconds/6dB) 0000 = 186ms 0001 = 372ms 0010 = 743ms 0011 = 1.49s 0100 = 2.97s 0101 = 5.94s 0110 = 11.89s 0111 = 23.78s 1000 = 47.56s 1001-1111 = Reserved |
| | 7:2 | DRC_THRESH_COMP [5:0] | 00_0000 | Compressor threshold T (dB) 000000 = 0dB 000001 = -0.75dB 000010 = -1.5dB ... (-0.75dB steps) 111100 = -45dB 111101 = Reserved 11111X = Reserved |

Register 7Ch DRC Control 2

| REGISTER ADDRESS | BIT | LABEL | DEFAULT | DESCRIPTION |
|-----------------------------|-------|-------------------------|---------|---|
| R125 (7Dh) DRC Control 3 | 15:11 | DRC_AMP_COMP [4:0] | 0_0000 | Compressor amplitude at threshold YT (dB) 00000 = 0dB 00001 = -0.75dB 00010 = -1.5dB ... (-0.75dB steps) 11110 = -22.5dB 11111 = Reserved |
| | 10:8 | DRC_R0_SLOPE_COMP [2:0] | 000 | Compressor slope R0 000 = 1 (no compression) 001 = 1/2 010 = 1/4 011 = 1/8 100 = 1/16 101 = 0 110 = Reserved 111 = Reserved |
| | 7 | DRC_FF_DELAY | 1 | Feed-forward delay for anti-clip feature 0 = 5 samples 1 = 9 samples Time delay can be calculated as 5/fs or 9/ fs, where fs is the sample rate. |
| | 3:2 | DRC_THRESHOLD_QR [1:0] | 00 | Quick release crest factor threshold 00 = 12dB 01 = 18dB (default) 10 = 24dB 11 = 30dB |
| | 1:0 | DRC_RATE_QR [1:0] | 00 | Quick release decay rate (seconds/6dB) 00 = 0.725ms (default) 01 = 1.45ms 10 = 5.8ms 11 = Reserved |

Register 7Dh DRC Control 3

| REGISTER ADDRESS | BIT | LABEL | DEFAULT | DESCRIPTION |
|-----------------------------|-------|-------------------------|---------|---|
| R126 (7Eh) DRC Control 4 | 15:13 | DRC_R1_SLOPE_COMP [2:0] | 000 | Compressor slope R1 000 = 1 (no compression) 001 = 1/2 010 = 1/4 011 = 1/8 100 = 0 101 = Reserved 11X = Reserved |
| | 12:8 | DRC_STARTUP_GAIN [4:0] | 0_0000 | Initial gain at DRC startup 00000 = -18dB 00001 = -15dB 00010 = -12dB 00011 = -9dB 00100 = -6dB 00101 = -3dB 00110 = 0dB (default) |

| REGISTER ADDRESS | BIT | LABEL | DEFAULT | DESCRIPTION |
|------------------|-----|-------|---------|--|
| | | | | 00111 = 3dB 01000 = 6dB 01001 = 9dB 01010 = 12dB 01011 = 15dB 01100 = 18dB 01101 = 21dB 01110 = 24dB 01111 = 27dB 10000 = 30dB 10001 = 33dB 10010 = 36dB 10011 to 11111 = Reserved |

Register 7Eh DRC Control 4

DIGITAL FILTER CHARACTERISTICS

| PARAMETER | TEST CONDITIONS | MIN | TYP | MAX | UNIT |
|------------------------------------|-----------------|----------|--------|----------|------|
| ADC Filter | | | | | |
| Passband | +/- 0.05dB | 0 | | 0.454 fs | |
| | -6dB | | 0.5 fs | | |
| Passband Ripple | | | | +/- 0.05 | dB |
| Stopband | | 0.546 fs | | | |
| Stopband Attenuation | f > 0.546 fs | -60 | | | dB |
| Group delay | | | | 2 | ms |
| DAC Normal Filter | | | | | |
| Passband | +/- 0.05dB | 0 | | 0.454 fs | |
| | -6dB | | 0.5 fs | | |
| Passband Ripple | 0.454 fs | | | +/- 0.03 | dB |
| Stopband | | 0.546 fs | | | |
| Stopband Attenuation | f > 0.546 fs | -50 | | | dB |
| Group delay | | | | 2 | ms |
| DAC Sloping Stopband Filter | | | | | |
| Passband | +/- 0.03dB | 0 | | 0.25 fs | |
| | +/- 1dB | 0.25 fs | | 0.454 fs | |
| | -6dB | | 0.5 fs | | |
| Passband Ripple | 0.25 fs | | | +/- 0.03 | dB |
| Stopband 1 | | 0.546 fs | | 0.7 fs | |
| Stopband 1 Attenuation | f > 0.546 fs | -60 | | | dB |
| Stopband 2 | | 0.7 fs | | 1.4 fs | |
| Stopband 2 Attenuation | f > 0.7 fs | -85 | | | dB |
| Stopband 3 | | 1.4 fs | | | |
| Stopband 3 Attenuation | f > 1.4 fs | -55 | | | dB |
| Group delay | | | | 2 | ms |

TERMINOLOGY

1. Stop Band Attenuation (dB) – the degree to which the frequency spectrum is attenuated (outside audio band)
2. Pass-band Ripple – any variation of the frequency response in the pass-band region

ADC FILTER RESPONSES

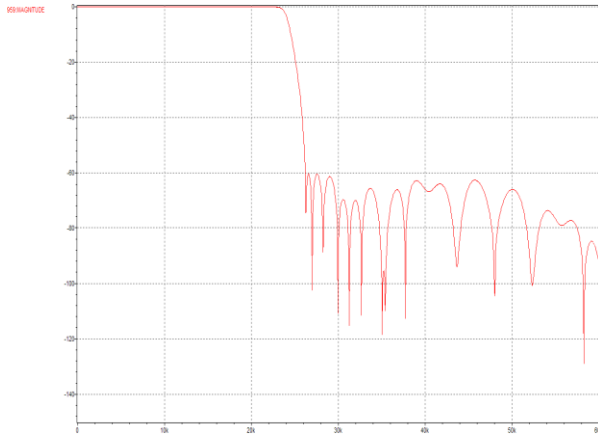


Figure 71 ADC Digital Filter Frequency Response

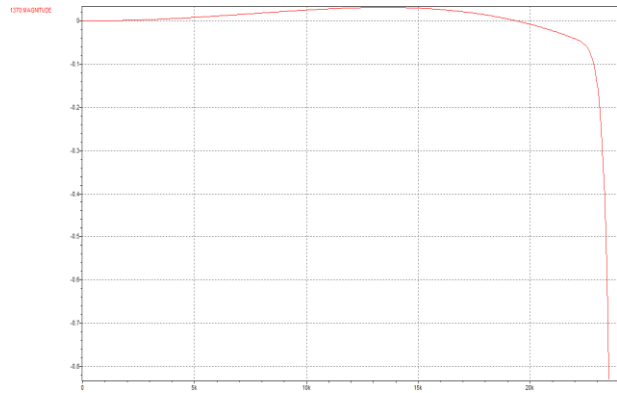


Figure 72 ADC Digital Filter Ripple

ADC HIGH PASS FILTER RESPONSES

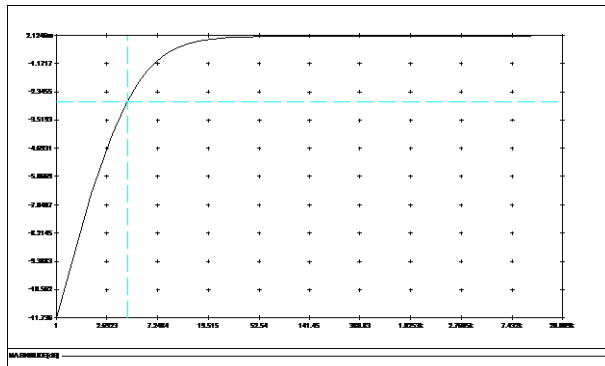


Figure 73 ADC Digital High Pass Filter Frequency Response (48kHz, Hi-Fi Mode, ADC_HPF_CUT[1:0]=00)

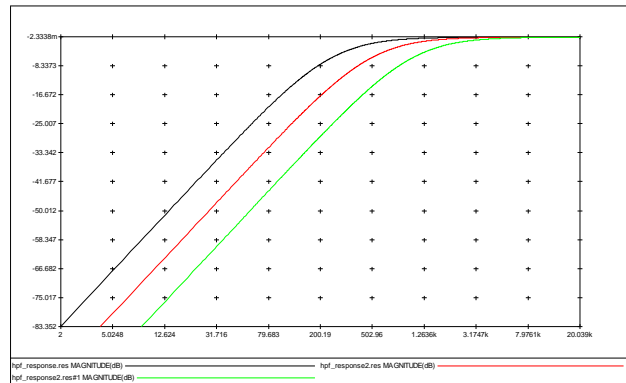


Figure 74 ADC Digital High Pass Filter Ripple (48kHz, Voice Mode, ADC_HPF_CUT=01, 10 and 11)

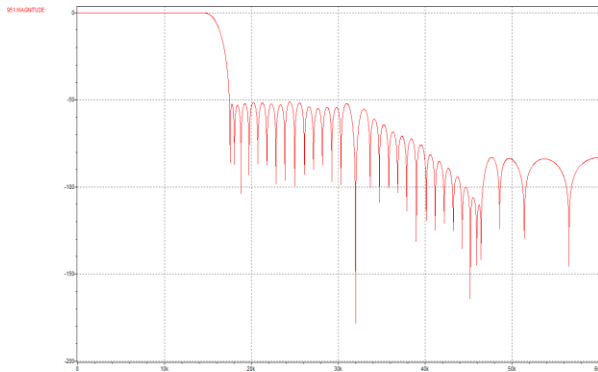
DAC FILTER RESPONSES


Figure 75 DAC Digital Filter Frequency Response; (Normal Mode); Sample Rate > 24kHz

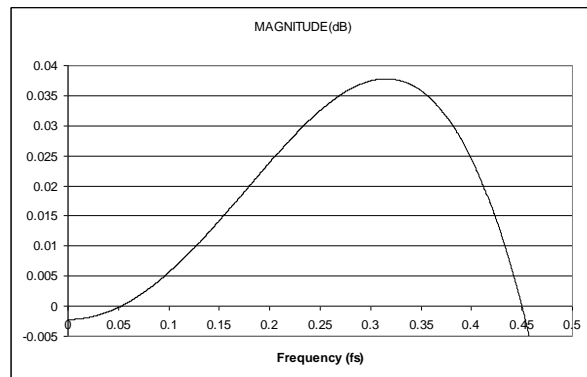


Figure 76 DAC Digital Filter Ripple (Normal Mode)

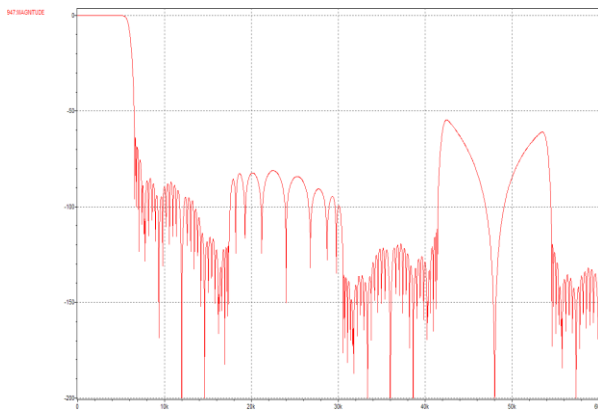


Figure 77 DAC Digital Filter Frequency Response; (Sloping Stopband Mode); Sample Rate <= 24kHz

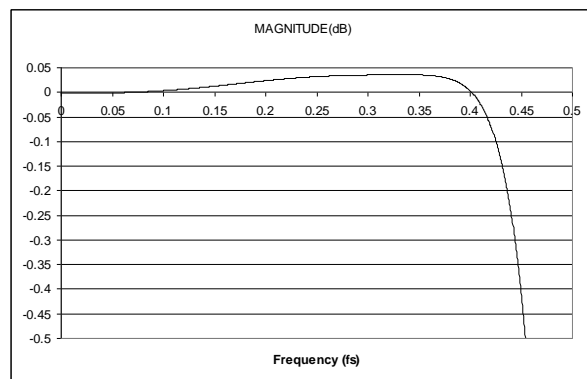
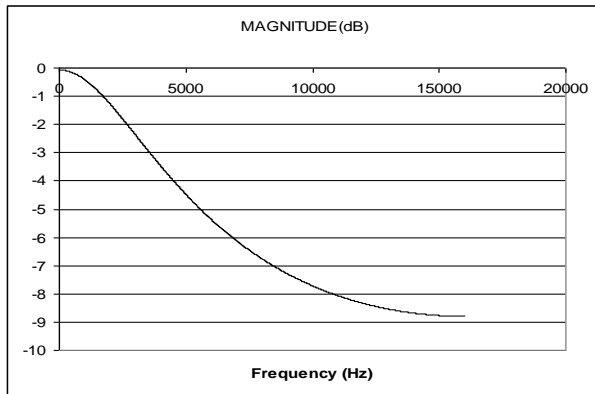
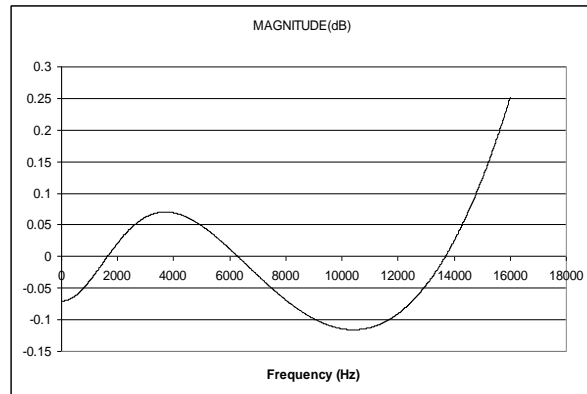
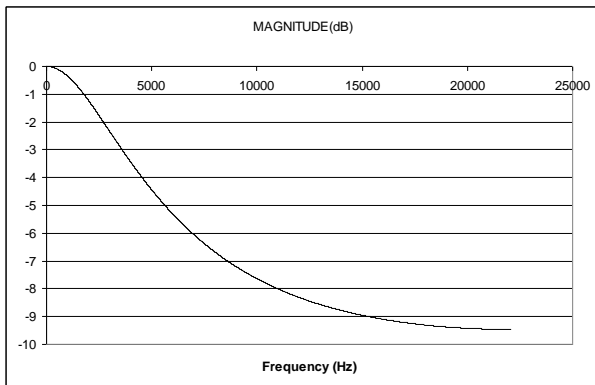
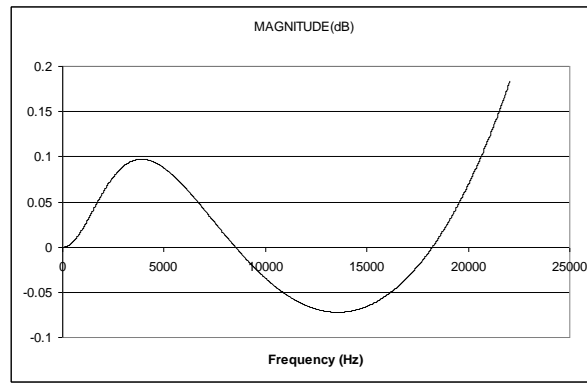
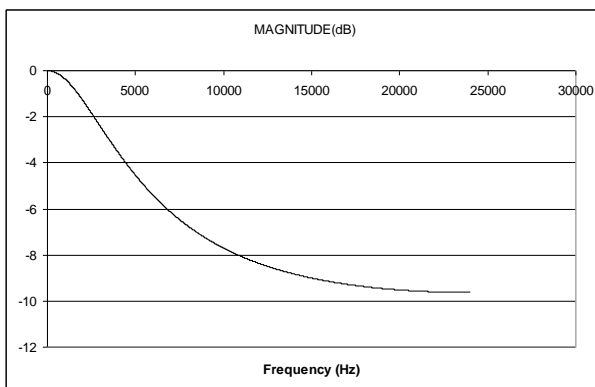
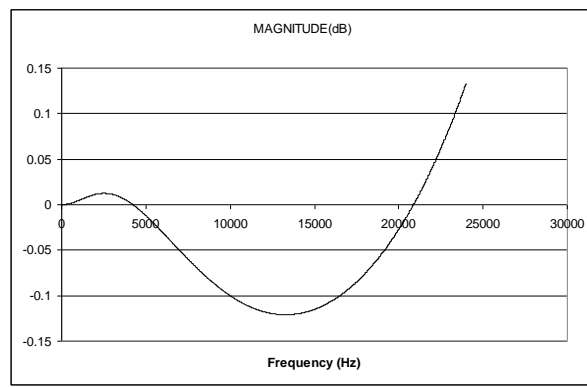


Figure 78 DAC Digital Filter Ripple (Sloping Stopband Mode)

DE-EMPHASIS FILTER RESPONSES

Figure 79 De-Emphasis Digital Filter Response (32kHz)

Figure 80 De-Emphasis Error (32kHz)

Figure 81 De-Emphasis Digital Filter Response (44.1kHz)

Figure 82 De-Emphasis Error (44.1kHz)

Figure 83 De-Emphasis Digital Filter Response (48kHz)

Figure 84 De-Emphasis Error (48kHz)

APPLICATIONS INFORMATION

RECOMMENDED EXTERNAL COMPONENTS

AUDIO INPUT PATHS

The WM8993 provides 8 analogue audio inputs. Each of these inputs is referenced to the internal DC reference, VMID. A DC blocking capacitor is required for each input pin used in the target application. The choice of capacitor is determined by the filter that is formed between that capacitor and the input impedance of the input pin. The circuit is illustrated in Figure 85.

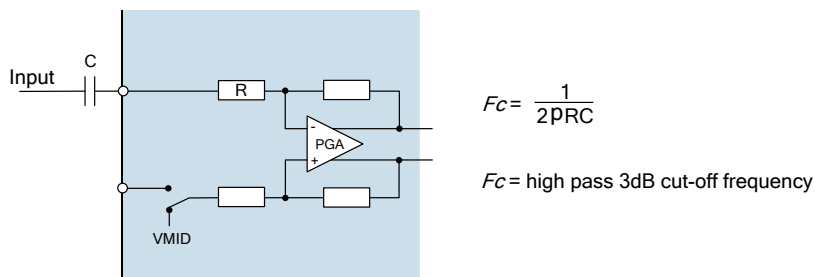


Figure 85 Audio Input Path DC Blocking Capacitor

If the input impedance is known, and the cut-off frequency is known, then the minimum capacitor value may be derived easily. However, it can be seen from the representation in Figure 85 that the input impedance is not fixed in all applications but can vary with gain and boost amplifier settings.

The PGA input resistance for every gain setting is detailed in Table 114.

| IN1L_VOL[4:0], IN2L_VOL[4:0], IN1R_VOL[4:0], IN2R_VOL[4:0] | VOLUME (dB) | INPUT RESISTANCE (kΩ) | |
|---|----------------|--------------------------|----------------------|
| | | SINGLE-ENDED MODE | DIFFERENTIAL MODE |
| 00000 | -16.5 | 58 | 52.5 |
| 00001 | -15.0 | 56.9 | 50.6 |
| 00010 | -13.5 | 55.6 | 48.6 |
| 00011 | -12.0 | 54.1 | 46.4 |
| 00100 | -10.5 | 52.5 | 44.1 |
| 00101 | -9.0 | 50.7 | 41.5 |
| 00110 | -7.5 | 48.6 | 38.9 |
| 00111 | -6.0 | 46.5 | 36.2 |
| 01000 | -4.5 | 44.1 | 33.4 |
| 01001 | -3.0 | 41.6 | 30.6 |
| 01010 | -1.5 | 38.9 | 27.8 |
| 01011 | 0 | 36.2 | 25.1 |
| 01100 | +1.5 | 33.4 | 22.5 |
| 01101 | +3.0 | 30.6 | 20.0 |
| 01110 | +4.5 | 27.8 | 17.7 |
| 01111 | +6.0 | 25.1 | 15.6 |
| 10000 | +7.5 | 22.5 | 13.6 |
| 10001 | +9.0 | 20.1 | 11.9 |
| 10010 | +10.5 | 17.8 | 10.3 |
| 10011 | +12.0 | 15.6 | 8.9 |
| 10100 | +13.5 | 13.7 | 7.6 |

| | | | |
|-------|-------|------|-----|
| 10101 | +15.0 | 11.9 | 6.5 |
| 10110 | +16.5 | 10.3 | 5.6 |
| 10111 | +18.0 | 8.9 | 4.8 |
| 11000 | +19.5 | 7.7 | 4.1 |
| 11001 | +21.0 | 6.6 | 3.5 |
| 11010 | +22.5 | 5.6 | 2.9 |
| 11011 | +24.0 | 4.8 | 2.5 |
| 11100 | +25.5 | 4.1 | 2.1 |
| 11101 | +27.0 | 3.5 | 1.8 |
| 11110 | +28.5 | 2.9 | 1.5 |
| 11111 | +30.0 | 2.5 | 1.3 |

Table 114 PGA Input Pin Resistance

The appropriate input capacitor may be selected using the PGA input resistance data provided in Table 114, depending on the required PGA gain setting(s).

The choice of capacitor for a 20Hz cut-off frequency is shown in Table 115 for a selection of typical input impedance conditions.

| INPUT IMPEDANCE | MINIMUM CAPACITANCE FOR 20HZ PASS BAND |
|-----------------|--|
| 2k Ω | 4 μ F |
| 15k Ω | 0.5 μ F |
| 30k Ω | 0.27 μ F |
| 60k Ω | 0.13 μ F |

Table 115 Audio Input DC Blocking Capacitors

Using the figures in Table 115, it follows that a 1 μ F capacitance for all input connections will give good results in most cases. Tantalum electrolytic capacitors are particularly suitable as they offer high stability in a small package size.

Ceramic equivalents are a cost effective alternative to the superior tantalum packages, but care must be taken to ensure the desired capacitance is maintained at the AVDD1 operating voltage. Also, ceramic capacitors may show microphonic effects, where vibrations and mechanical conditions give rise to electrical signals. This is particularly problematic for microphone input paths where a large signal gain is required.

A single capacitor is required for a line input or single-ended microphone connection. In the case of a differential microphone connection, a DC blocking capacitor is required on both input pins.

HEADPHONE OUTPUT PATH

The headphone output on WM8993 is ground referenced and therefore does not require the large, expensive capacitors necessary for VMID reference solutions. For best audio performance, it is recommended to connect a zobel network to the audio output pins. This network should comprise of a 100nF capacitor and 20ohm resistor in series with each other (see “Analogue Outputs” section). These components have the effect of dampening high frequency oscillations or instabilities that can arise outside the audio band under certain conditions. Possible sources of these instabilities include the inductive load of a headphone coil or an active load in the form of an external line amplifier.

EARPIECE DRIVER OUTPUT PATH

The earpiece driver on HPOUT2P and HPOUTN is designed as a 32ohm BTL speaker driver. The outputs are referenced to the internal DC reference VMID, but direct connection to the speaker is possible because of the BTL configuration. There is no requirement for DC blocking capacitors.

LINE OUTPUT PATHS

The WM8993 provides four line outputs (LINEOUT1P, LINEOUT1N, LINEOUT2P and LINEOUT2N). Each of these outputs is referenced to the internal DC reference, VMID. In any the case where a line output is used in a single-ended configuration (i.e. referenced to AGND), a DC blocking capacitor will be required in order to remove the DC bias. In the case where a pair of line outputs is configured as a BTL differential pair, then the DC blocking capacitor should be omitted.

The choice of capacitor is determined from the filter that is formed between the capacitor and the load impedance – see Figure 86.

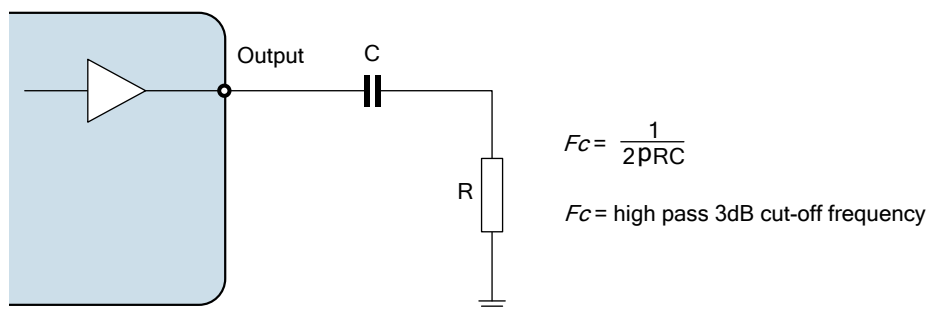


Figure 86 Line Output Path Components

| LOAD IMPEDANCE | MINIMUM CAPACITANCE FOR 20HZ PASS BAND |
|----------------|--|
| 10kΩ | 0.8 μF |
| 47kΩ | 0.17 μF |

Table 116 Line Output Frequency Cut-Off

Using the figures in Table 116, it follows that that a 1μF capacitance would be a suitable choice for a line load. Tantalum electrolytic capacitors are again particularly suitable but ceramic equivalents are a cost effective alternative. Care must be taken to ensure the desired capacitance is maintained at the appropriate operating voltage.

POWER SUPPLY DECOUPLING

Electrical coupling exists particularly in digital logic systems where switching in one sub-system causes fluctuations on the power supply. This effect occurs because the inductance of the power supply acts in opposition to the changes in current flow that are caused by the logic switching. The resultant variations (or 'spikes') in the power supply voltage can cause malfunctions and unintentional behavior in other components. A decoupling (or 'bypass') capacitor can be used as an energy storage component which will provide power to the decoupled circuit for the duration of these power supply variations, protecting it from malfunctions that could otherwise arise.

Coupling also occurs in a lower frequency form when ripple is present on the power supply rail caused by changes in the load current or by limitations of the power supply regulation method. In audio components such as the WM8993, these variations can alter the performance of the signal path, leading to degradation in signal quality. A decoupling (or 'bypass') capacitor can be used to filter these effects, by presenting the ripple voltage with a low impedance path that does not affect the circuit to be decoupled.

These coupling effects are addressed by placing a capacitor between the supply rail and the corresponding ground reference. In the case of systems comprising multiple power supply rails, decoupling should be provided on each rail.

The recommended power supply decoupling capacitors for WM8993 are listed below in Table 117.

| POWER SUPPLY | DECOUPLING CAPACITOR |
|---------------------|--------------------------------|
| DCVDD, DBVDD, AVDD2 | 0.1 μ F ceramic |
| AVDD1, SPKVDD | 0.1 μ F ceramic (see Note) |
| CPVDD | 4.7 μ F ceramic |
| VMIDC | 4.7 μ F ceramic |

Table 117 Power Supply Decoupling Capacitors

Note: 0.1 μ F is required with 4.7 μ F a guide to the total required power rail capacitance, including that at the regulator output.

All decoupling capacitors should be placed as close as possible to the WM8993 device. The connection between AGND, the AVDD1 decoupling capacitor and the main system ground should be made at a single point as close as possible to the AGND ball of the WM8993.

The VMID capacitor is not, technically, a decoupling capacitor. However, it does serve a similar purpose in filtering noise on the VMID reference. The connection between AGND, the VMID decoupling capacitor and the main system ground should be made at a single point as close as possible to the AGND ball of the WM8993.

Due to the wide tolerance of many types of ceramic capacitors, care must be taken to ensure that the selected components provide the required capacitance across the required temperature and voltage ranges in the intended application. For most application the use of ceramic capacitors with capacitor dielectric X5R is recommended.

CHARGE PUMP COMPONENTS

A fly-back capacitor is required between the CPCA and CPCB pins. The required capacitance is 2.2 μ F at 2V.

A decoupling capacitor is required on CPVOUTP and CPVOUTN; the recommended value is 2.2 μ F at 2V.

The positioning of the Charge Pump capacitors is important, particularly the fly-back capacitor. These capacitors should be placed as close as possible to the WM8994.

Due to the wide tolerance of many types of ceramic capacitors, care must be taken to ensure that the selected components provide the required capacitance across the required temperature and voltage ranges in the intended application. For most application the use of ceramic capacitors with capacitor dielectric X5R is recommended.

MICROPHONE BIAS CIRCUIT

The WM8993 is designed to interface easily with up to four microphones. These may be connected in single-ended or differential configurations. The single-ended method allows greater capability for the connection of multiple audio sources simultaneously, whilst the differential method provides better performance due to its rejection of common-mode noise.

In either configuration, the microphone requires a bias current (electret condenser microphones) or voltage supply (silicon microphones), which can be provided by MICBIAS1 or MICBIAS2. These are generated by identical output-compensated amplifiers, which require an external capacitor in order to guarantee accuracy and stability. The recommended capacitance is 4.7 μ F, although it may be possible to reduce this to 1 μ F if the analogue supply (AVDD1) is not too noisy. A ceramic type is a suitable choice here, providing that care is taken to choose a component that exhibits this capacitance at the intended MICBIAS voltage.

Note that the MICBIAS voltage may be adjusted using register control to suit the requirements of the microphone. Also note the WM8993 supports a maximum current of 2.4mA per MICBIAS pin. If more than one microphone is connected to a single MICBIAS pin, the combined current of these must not exceed 2.4mA.

A current-limiting resistor is also required when using an electret condenser microphone (ECM). The resistance should be chosen according to the minimum operating impedance of the microphone and MICBIAS voltage so that the maximum bias current of the WM8993 is not exceeded. Cirrus Logic recommends a 2.2k Ω current limiting resistor as it provides compatibility with a wide range of microphone models.

Figure 87 illustrates the recommended single-ended and differential microphone connections for the WM8993.

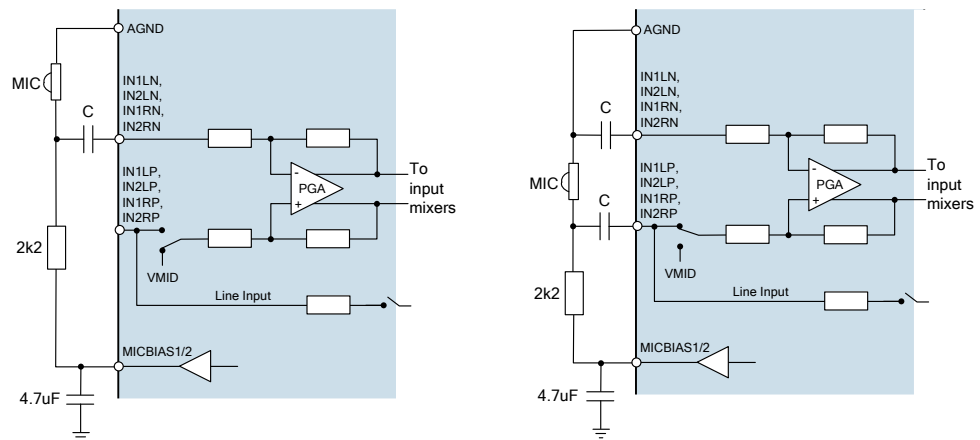


Figure 87 Single-Ended and Differential Microphone Connections

CLASS D SPEAKER CONNECTIONS

The WM8993 incorporates two Class D/AB 1W speaker drivers. By default, the speaker drivers operate in Class D mode, which offers high amplifier efficiency at large signal levels. As the Class D output is a pulse width modulated signal, the choice of speakers and tracking of signals is critical for ensuring good performance and reducing EMI in this mode.

The efficiency of the speaker drivers is affected by the series resistance between the WM8993 and the speaker (e.g. PCB track loss and inductor ESR) as shown in Figure 88. This resistance should be as low as possible to maximise efficiency.

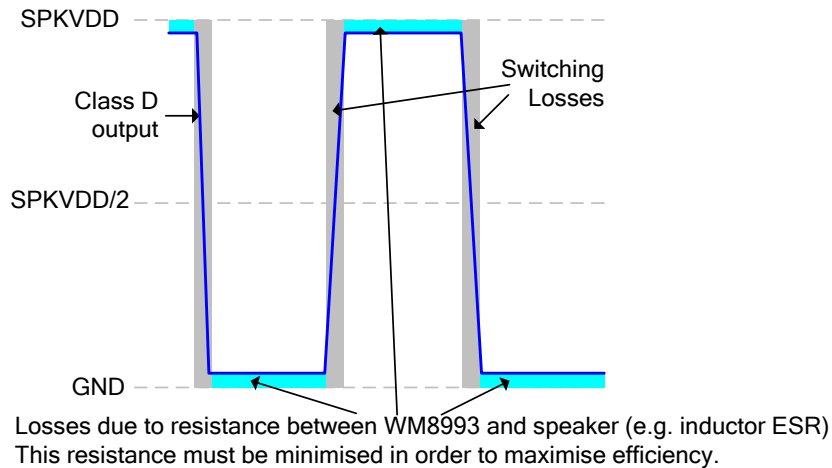


Figure 88 Speaker Connection Losses

The Class D output requires external filtering in order to recreate the audio signal. This may be implemented using a 2nd order LC or 1st order RC filter, or else may be achieved by using a loudspeaker whose internal inductance provides the required filter response. An LC or RC filter should be used if the loudspeaker characteristics are unknown or unsuitable, or if the length of the loudspeaker connection is likely to lead to EMI problems.

In applications where it is necessary to provide Class D filter components, a 2nd order LC filter is the recommended solution as it provides more attenuation at higher frequencies and minimises power dissipated in the filter when compared to a first order RC filter (lower ESR). This maximises both rejection of unwanted switching frequencies and overall speaker efficiency. A suitable implementation is illustrated in Figure 89.

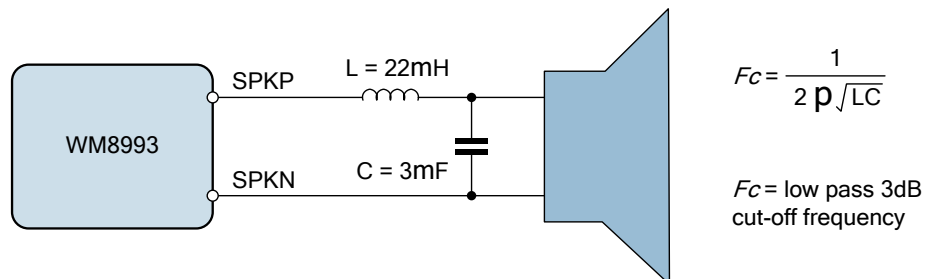


Figure 89 Class D Output Filter Components

A simple equivalent circuit of a loudspeaker consists of a serially connected resistor and inductor, as shown in Figure 90. This circuit provides a low pass filter for the speaker output. If the loudspeaker characteristics are suitable, then the loudspeaker itself can be used in place of the filter components described earlier. This is known as 'filterless' operation.

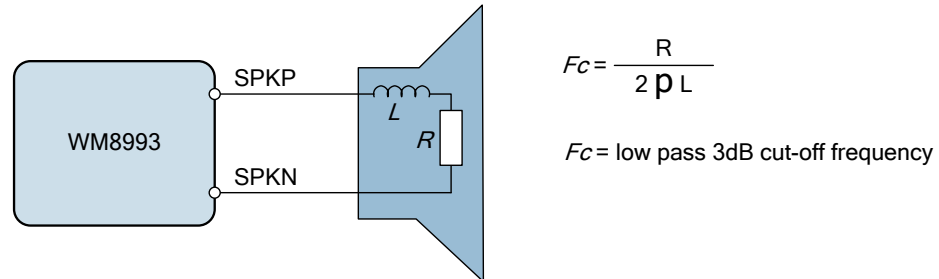


Figure 90 Speaker Equivalent Circuit for Filterless Operation

For filterless Class D operation, it is important to ensure that a speaker with suitable inductance is chosen. For example, if we know the speaker impedance is 8Ω and the desired cut-off frequency is 20kHz, then the optimum speaker inductance may be calculated as:

$$L = \frac{R}{2 \pi F_c} = \frac{8\Omega}{2 \pi * 20\text{kHz}} = 64\mu\text{H}$$

8Ω loudspeakers typically have an inductance in the range $20\mu\text{H}$ to $100\mu\text{H}$, however, it should be noted that a loudspeaker inductance will not be constant across the relevant frequencies for Class D operation (up to and beyond the Class D switching frequency). Care should be taken to ensure that the cut-off frequency of the loudspeaker's filtering is low enough to suppress the high frequency energy of the Class D switching and, in so doing, to prevent speaker damage. The Class D outputs of the WM8993 operate at much higher frequencies than is recommended for most speakers and it must be ensured that the cut-off frequency is low enough to protect the speaker.

RECOMMENDED EXTERNAL COMPONENTS DIAGRAM

Figure 91 and Figure 92 below provide a summary of recommended external components for WM8993. Note that these diagrams do not include any components that are specific to the end application e.g. they do not include filtering on the speaker outputs (assume filterless class D operation), RF decoupling, or RF filtering for pins which connect to the external world i.e. headphone or speaker outputs.

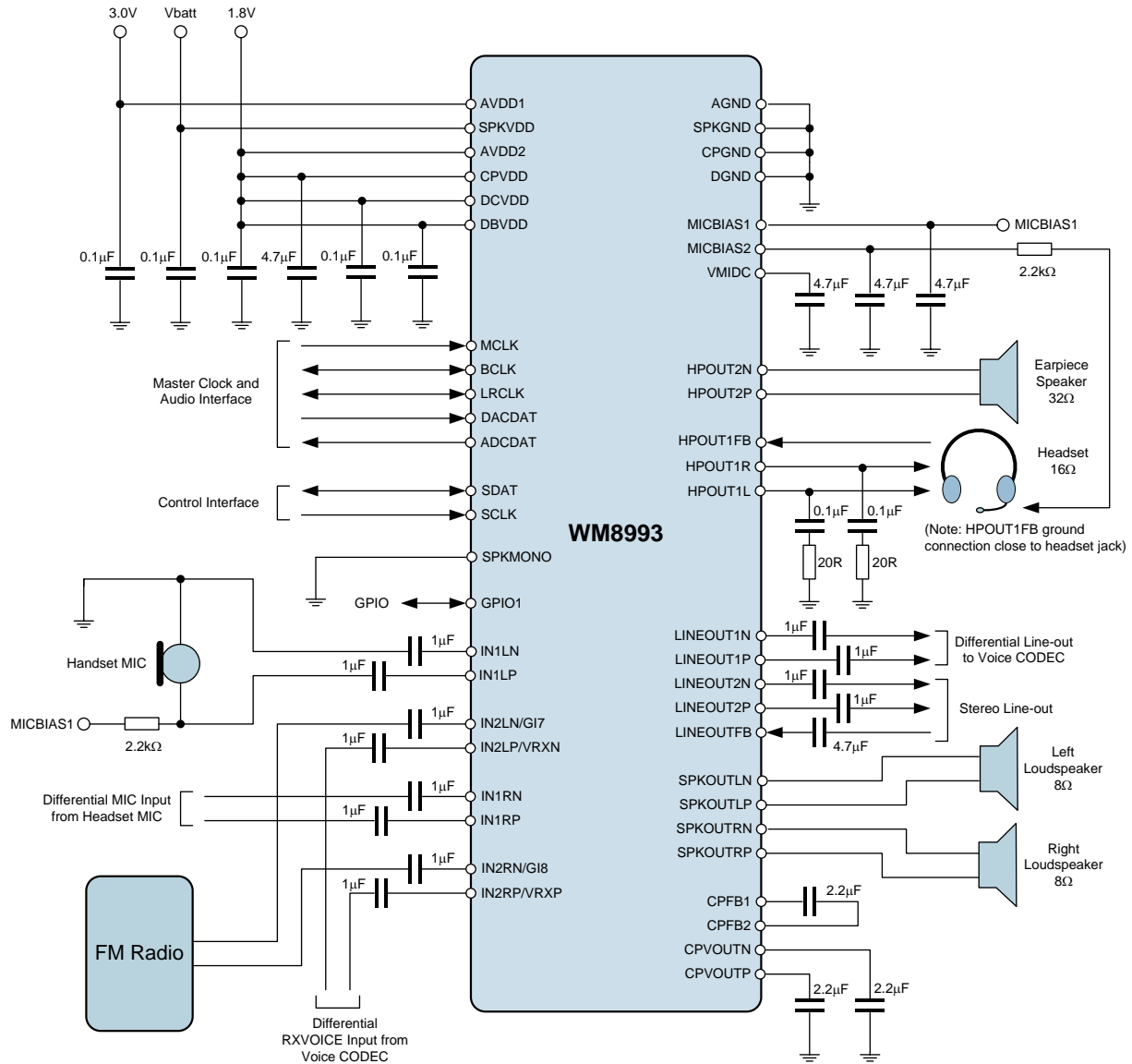


Figure 91 Recommended External Components Diagram – 1W Stereo Mode

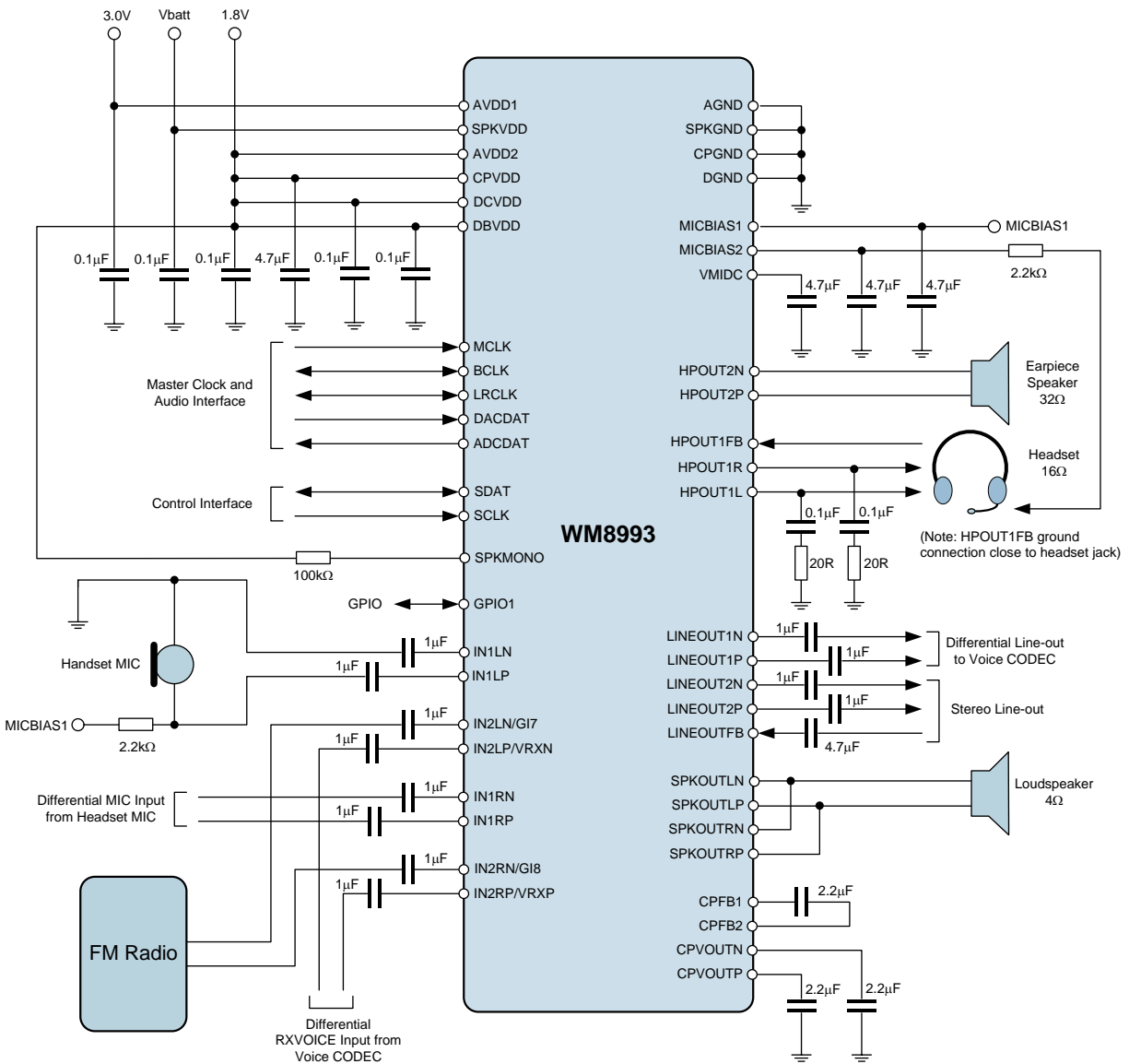


Figure 92 Recommended External Components Diagram – 2W Mono Mode

PCB LAYOUT CONSIDERATIONS

Poor PCB layout will degrade the performance and be a contributory factor in EMI, ground bounce and resistive voltage losses. All external components should be placed as close to the WM8993 device as possible, with current loop areas kept as small as possible. Specific factors relating to Class D loudspeaker connection are detailed below.

CLASS D LOUDSPEAKER CONNECTION

Long, exposed PCB tracks or connection wires will emit EMI. The distance between the WM8993 and the loudspeaker should therefore be kept as short as possible. Where speakers are connected to the PCB via a cable form, it is recommended that a shielded twisted pair cable is used. The shield should be connected to the main system, with care taken to ensure ground loops are avoided.

Further reduction in EMI can be achieved using PCB ground (or VDD) planes and also by using passive LC components to filter the Class D switching waveform. When passive filtering is used, low ESR components should be chosen in order to minimise the series resistance between the WM8993 and the speaker, maximising the power efficiency.

LC passive filtering will usually be effective at reducing EMI at frequencies up to around 30MHz. To reduce emissions at higher frequencies, ferrite beads can also be used. These should be positioned as close to the device as possible.

These techniques for EMI reduction are illustrated in Figure 93.

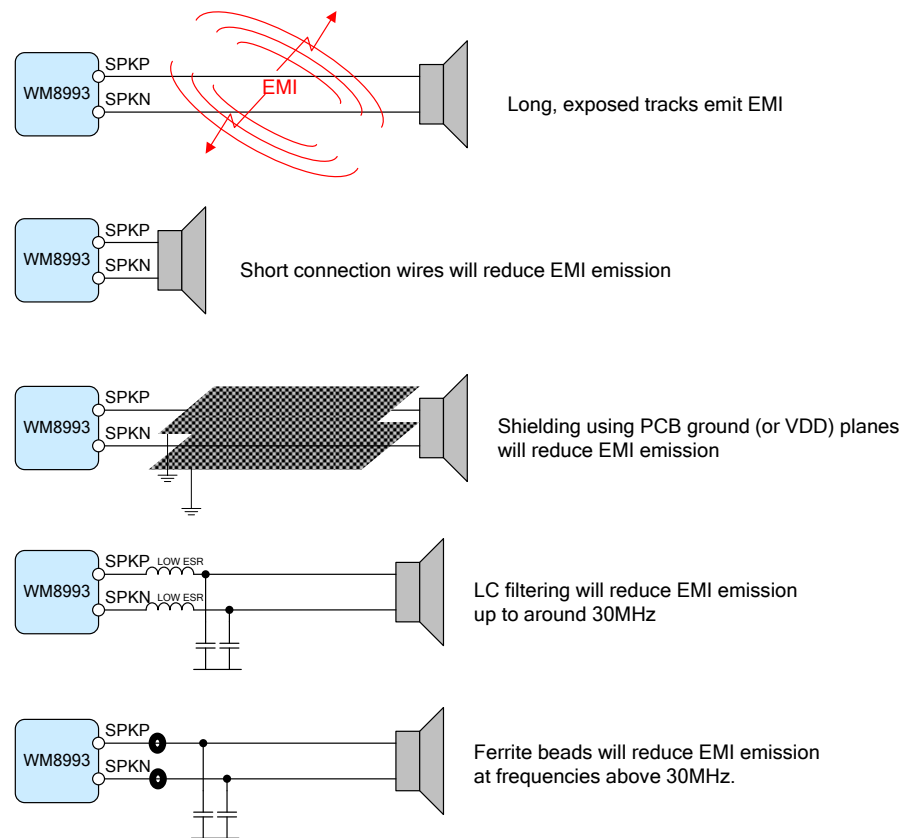
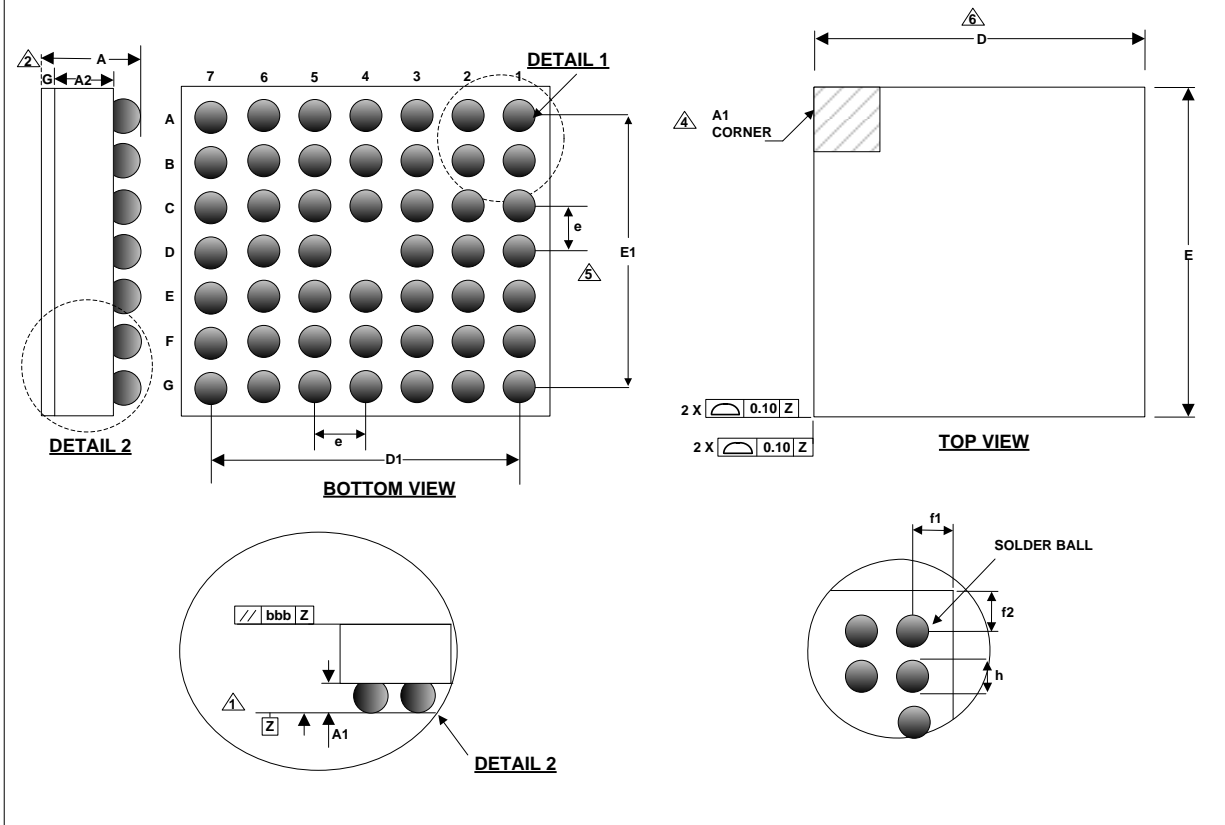


Figure 93 EMI Reduction Techniques

PACKAGE DIMENSIONS
B: 48 BALL W-CSP PACKAGE 3.65 x 3.55 x 0.546mm BODY, 0.50 mm BALL PITCH
DM060.D


| Symbols | Dimensions (mm) | | | NOTE |
|-----------|-----------------|-----------|-------|------|
| | MIN | NOM | MAX | |
| A | 0.506 | 0.546 | 0.586 | |
| A1 | 0.207 | 0.244 | 0.281 | |
| A2 | 0.265 | 0.280 | 0.295 | |
| D | 3.620 | 3.650 | 3.680 | |
| D1 | | 3.000 BSC | | |
| E | 3.520 | 3.550 | 3.580 | |
| E1 | | 3.000 BSC | | |
| e | | 0.500 BSC | | 5 |
| f1 | | 0.325 BSC | | |
| f2 | | 0.275 BSC | | |
| g | 0.019 | 0.022 | 0.025 | |
| h | | 0.314 BSC | | |

NOTES:

1. PRIMARY DATUM -Z- AND SEATING PLANE ARE DEFINED BY THE SPHERICAL CROWNS OF THE SOLDER BALLS.
2. THIS DIMENSION INCLUDES STAND-OFF HEIGHT 'A1' AND BACKSIDE COATING.
3. A1 CORNER IS IDENTIFIED BY INK/LASER MARK ON TOP PACKAGE.
4. BILATERAL TOLERANCE ZONE IS APPLIED TO EACH SIDE OF THE PACKAGE BODY.
5. 'e' REPRESENTS THE BASIC SOLDER BALL GRID PITCH.
6. THIS DRAWING IS SUBJECT TO CHANGE WITHOUT NOTICE.
7. FOLLOWS JEDEC DESIGN GUIDE MO-211-C.

IMPORTANT NOTICE

Contacting Cirrus Logic Support

For all product questions and inquiries, contact a Cirrus Logic Sales Representative.

To find one nearest you, go to www.cirrus.com.

For the purposes of our terms and conditions of sale, "Preliminary" or "Advanced" datasheets are non-final datasheets that include but are not limited to datasheets marked as "Target", "Advance", "Product Preview", "Preliminary Technical Data" and/or "Pre-production." Products provided with any such datasheet are therefore subject to relevant terms and conditions associated with "Preliminary" or "Advanced" designations. The products and services of Cirrus Logic International (UK) Limited; Cirrus Logic, Inc.; and other companies in the Cirrus Logic group (collectively either "Cirrus Logic" or "Cirrus") are sold subject to Cirrus Logic's terms and conditions of sale supplied at the time of order acknowledgment, including those pertaining to warranty, indemnification, and limitation of liability. Software is provided pursuant to applicable license terms. Cirrus Logic reserves the right to make changes to its products and specifications or to discontinue any product or service without notice. Customers should therefore obtain the latest version of relevant information from Cirrus Logic to verify that the information is current and complete. Testing and other quality control techniques are utilized to the extent Cirrus Logic deems necessary. Specific testing of all parameters of each device is not necessarily performed. In order to minimize risks associated with customer applications, the customer must use adequate design and operating safeguards to minimize inherent or procedural hazards. Cirrus Logic is not liable for applications assistance or customer product design. The customer is solely responsible for its selection and use of Cirrus Logic products. Use of Cirrus Logic products may entail a choice between many different modes of operation, some or all of which may require action by the user, and some or all of which may be optional. Nothing in these materials should be interpreted as instructions or suggestions to choose one mode over another. Likewise, description of a single mode should not be interpreted as a suggestion that other modes should not be used or that they would not be suitable for operation. Features and operations described herein are for illustrative purposes only.

CERTAIN APPLICATIONS USING SEMICONDUCTOR PRODUCTS MAY INVOLVE POTENTIAL RISKS OF DEATH, PERSONAL INJURY, OR SEVERE PROPERTY OR ENVIRONMENTAL DAMAGE ("CRITICAL APPLICATIONS"). CIRRUS LOGIC PRODUCTS ARE NOT DESIGNED, AUTHORIZED OR WARRANTED FOR USE IN PRODUCTS SURGICALLY IMPLANTED INTO THE BODY, AUTOMOTIVE SAFETY OR SECURITY DEVICES, NUCLEAR SYSTEMS, LIFE SUPPORT PRODUCTS OR OTHER CRITICAL APPLICATIONS. INCLUSION OF CIRRUS LOGIC PRODUCTS IN SUCH APPLICATIONS IS UNDERSTOOD TO BE FULLY AT THE CUSTOMER'S RISK AND CIRRUS LOGIC DISCLAIMS AND MAKES NO WARRANTY, EXPRESS, STATUTORY OR IMPLIED, INCLUDING THE IMPLIED WARRANTIES OF MERCHANTABILITY AND FITNESS FOR PARTICULAR PURPOSE, WITH REGARD TO ANY CIRRUS LOGIC PRODUCT THAT IS USED IN SUCH A MANNER. IF THE CUSTOMER OR CUSTOMER'S CUSTOMER USES OR PERMITS THE USE OF CIRRUS LOGIC PRODUCTS IN CRITICAL APPLICATIONS, CUSTOMER AGREES, BY SUCH USE, TO FULLY INDEMNIFY CIRRUS LOGIC, ITS OFFICERS, DIRECTORS, EMPLOYEES, DISTRIBUTORS AND OTHER AGENTS FROM ANY AND ALL LIABILITY, INCLUDING ATTORNEYS' FEES AND COSTS, THAT MAY RESULT FROM OR ARISE IN CONNECTION WITH THESE USES.

This document is the property of Cirrus Logic and by furnishing this information, Cirrus Logic grants no license, express or implied, under any patents, mask work rights, copyrights, trademarks, trade secrets or other intellectual property rights. Any provision or publication of any third party's products or services does not constitute Cirrus Logic's approval, license, warranty or endorsement thereof. Cirrus Logic gives consent for copies to be made of the information contained herein only for use within your organization with respect to Cirrus Logic integrated circuits or other products of Cirrus Logic, and only if the reproduction is without alteration and is accompanied by all associated copyright, proprietary and other notices and conditions (including this notice). This consent does not extend to other copying such as copying for general distribution, advertising or promotional purposes, or for creating any work for resale. This document and its information is provided "AS IS" without warranty of any kind (express or implied). All statutory warranties and conditions are excluded to the fullest extent possible. No responsibility is assumed by Cirrus Logic for the use of information herein, including use of this information as the basis for manufacture or sale of any items, or for infringement of patents or other rights of third parties. Cirrus Logic, Cirrus, the Cirrus Logic logo design, SoundClear, ReTune, SilentSwitch, and WISCE are among the trademarks of Cirrus Logic. Other brand and product names may be trademarks or service marks of their respective owners.

Copyright © 2008–2016 Cirrus Logic, Inc. All rights reserved.

REVISION HISTORY

| DATE | REV | DESCRIPTION OF CHANGES | PAGE | CHANGED BY |
|----------|-----|--|---------|------------|
| 26/11/10 | 4.0 | Electrical characteristics updated | | CS |
| 11/11/16 | 4.1 | SPKAB_REF_SEL added to 'Registers By Address' section. | 186 | PH |
| | | VMID soft-start descriptions updated, including requirement to reset soft-start circuit before re-enabling VMID. | 145-146 | |
| | | Package Drawing updated to DM 60.D. | 219 | |