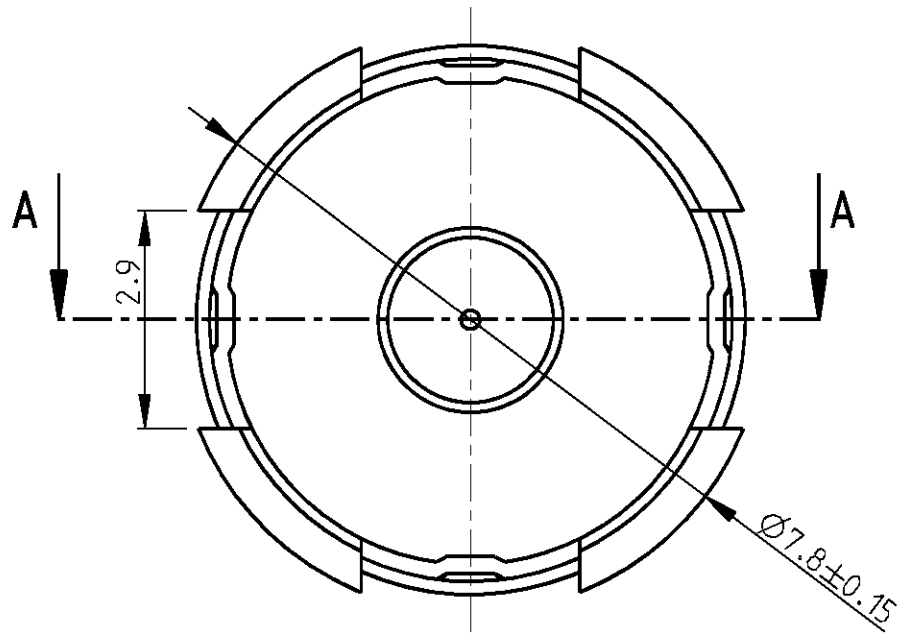
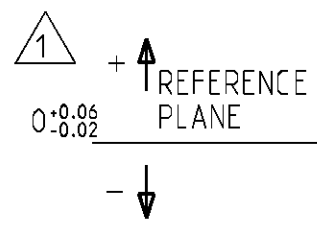


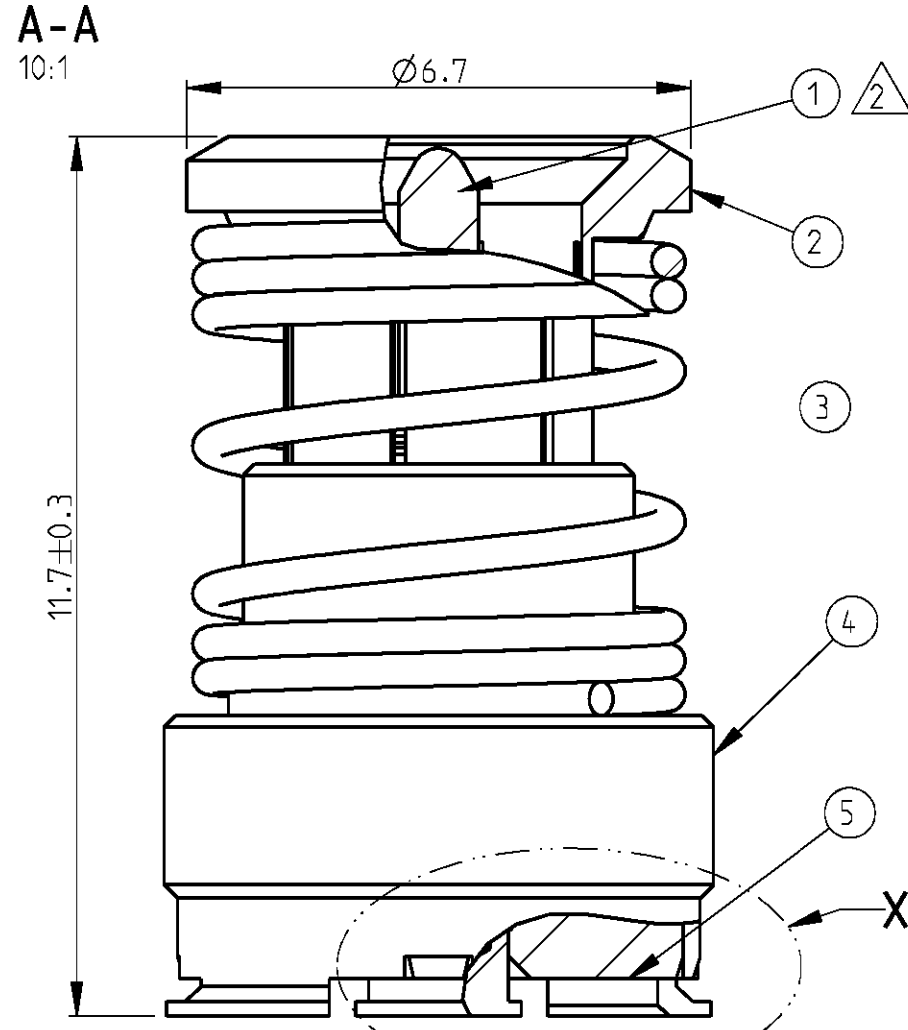
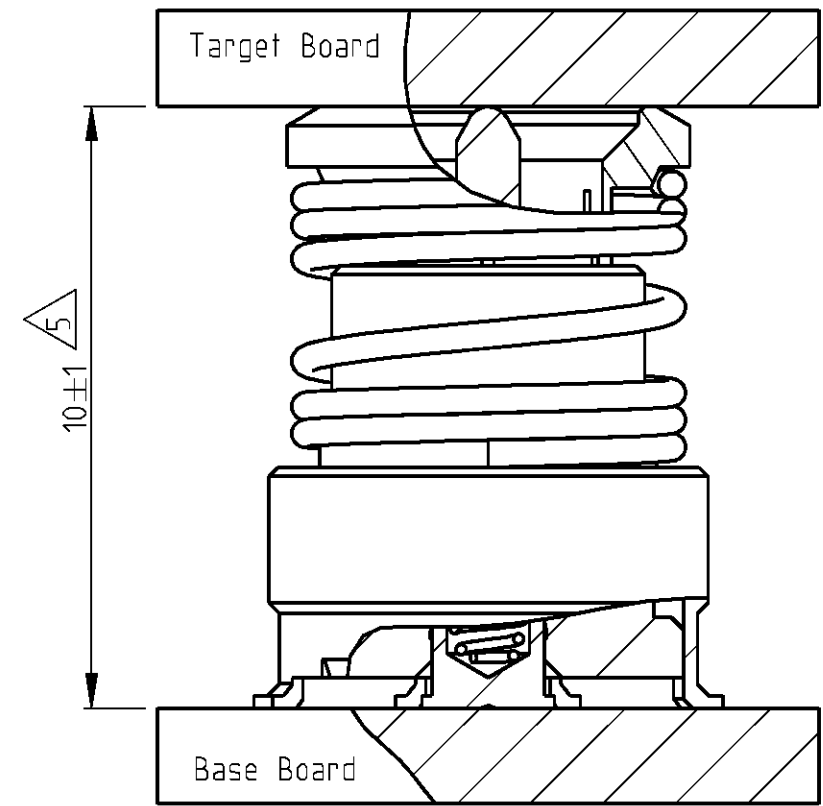
LOC	DIST	REVISIONS				
P	LTR	DESCRIPTION	DATE	DWN	APVD	
GW	00	A2	EC SR10 - 0112 - 04	22DEC2004	RLU DB	



X
16:1



MATED BETWEEN BOARDS



<small>THIS DRAWING IS A CONTROLLED DOCUMENT FOR TYCO ELECTRONICS CORPORATION. IT IS SUBJECT TO CHANGE AND THE CONTROLLING ENGINEERING ORGANIZATION SHOULD BE CONTACTED FOR THE LATEST REVISION.</small>		DWN R. Luppi	03JAN05		Tyco Electronics	
		CHK D. Bozzer	04JAN05		Oostkamp - Belgium	
DIMENSIONS: mm		TOLERANCES UNLESS OTHERWISE SPECIFIED: 0 PLC ±0.2 1 PLC ±0.2 2 PLC ±0.1 3 PLC ± 4 PLC ± ANGLES ±2°		NAME BOARD-TO-BOARD CONNECTOR 10 MM HEIGHT		
		PRODUCT SPEC 108-71060		SIZE A3		CAGE CODE 00779
MATERIAL -		FINISH -		DRAWING NO C-619134		RESTRICTED TO -
CUSTOMER DRAWING				SCALE 8:1	SHEET 1 OF 3	REV A2

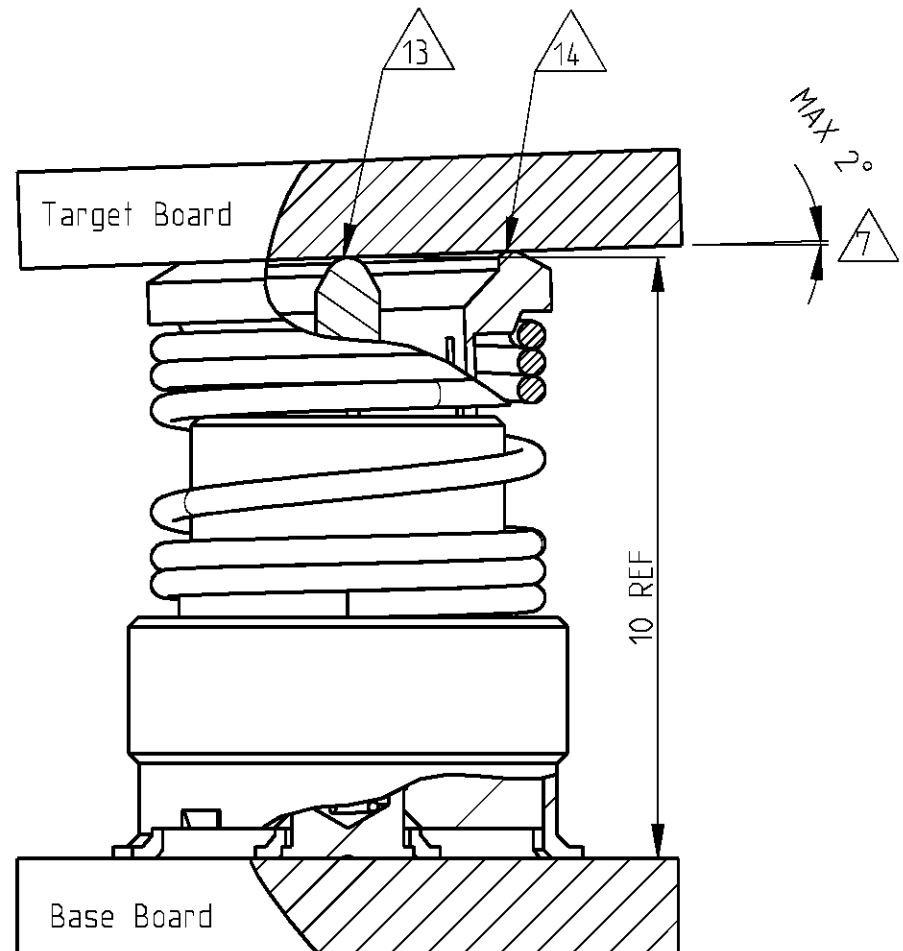
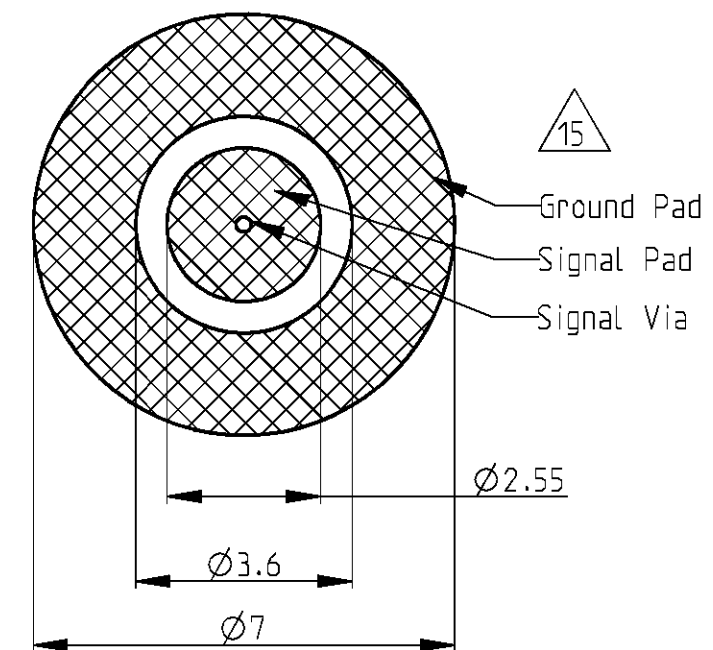
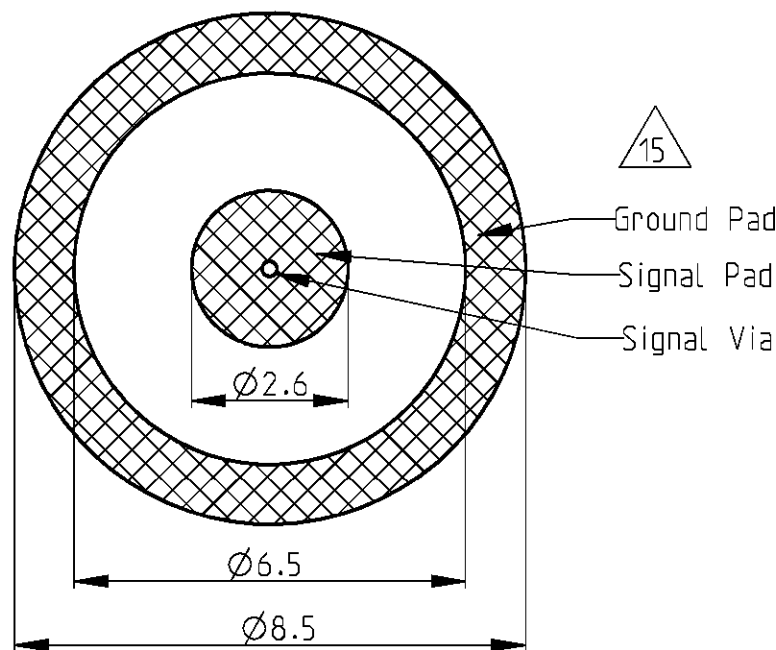
THIS DRAWING IS UNPUBLISHED. RELEASED FOR PUBLICATION AUG. 2001
 © COPYRIGHT 2001 BY TYCO ELECTRONICS CORPORATION, ALL RIGHTS RESERVED.

LOC	DIST	REVISIONS			
P	LTR	DESCRIPTION	DATE	DWN	APVD
GW	00	- see sheet 1	-	-	-

- 1 POSITION OF CENTER CONTACT
- 2 PLATING 0.15 μm Au OVER NiP
- 3 PLATING 0.3 μm Au OVER NiP,
- 4 1 CONNECTOR PACKED IN PLASTIC BAG
- 5 DISTANCE BETWEEN PRINTED CIRCUIT BOARDS
- 6 MISALIGNMENT BETWEEN CONNECTOR AXIS AND TARGET LAYOUT ON TARGET BOARD: MAX 0.8 mm
- 7 ANGLE BETWEEN PRINTED CIRCUIT BOARDS

8 RECOMMENDED LAYOUT ON BASE BOARD

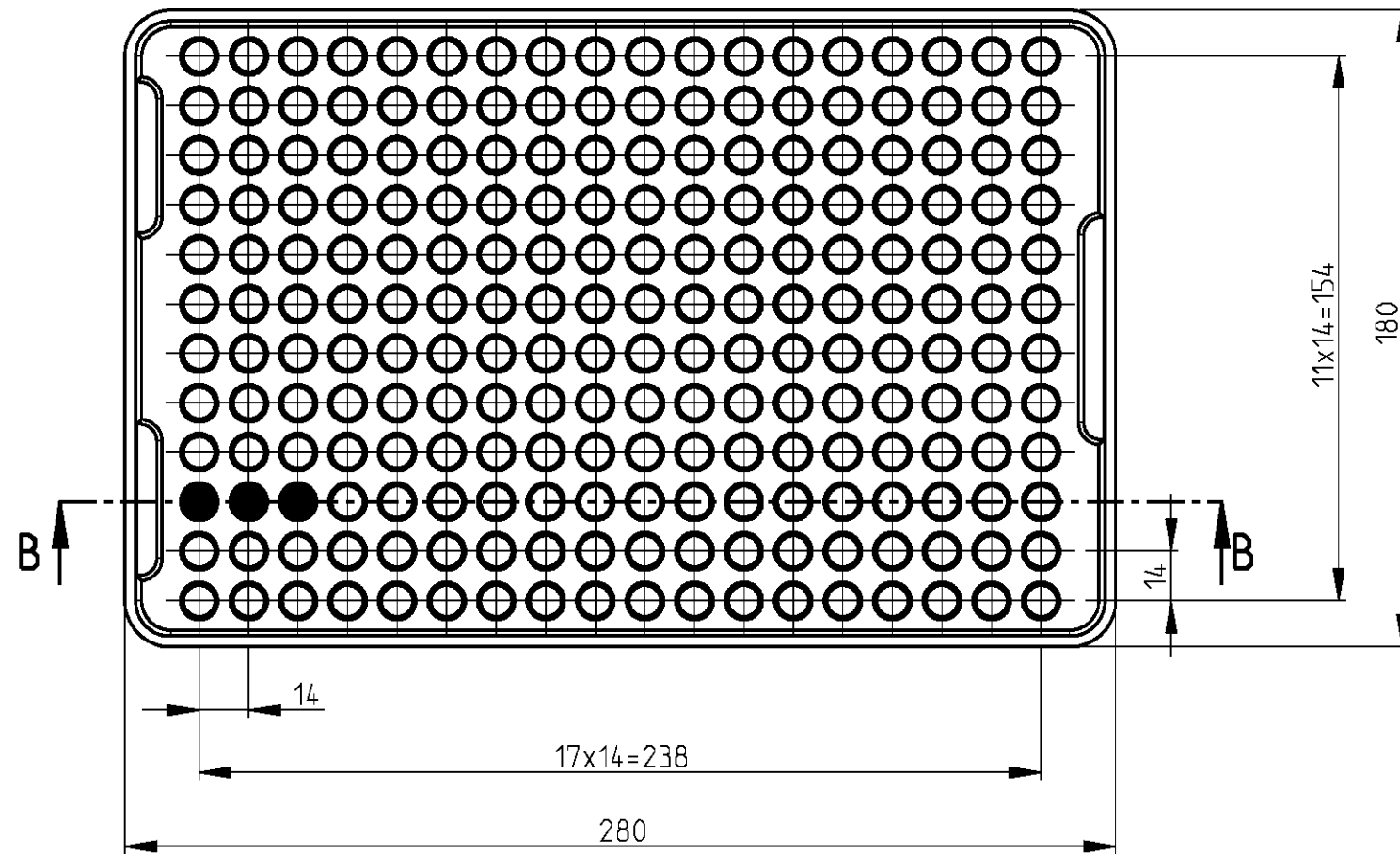
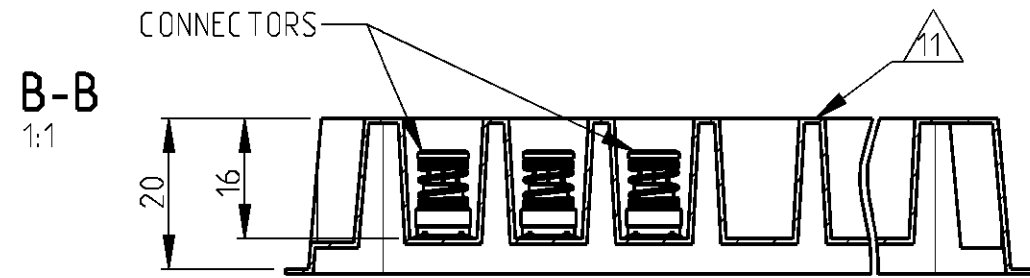
9 RECOMMENDED TARGET LAYOUT ON TARGET BOARD



1	1	5	DIELECTRIC	PCT / PEEK	
1	1	4	OUTER SHELL	CuZn	2
1	1	3	SPRING	STAINLESS STEEL	
1	1	2	CONTACT RING	CuSn	2
1	1	1	CENTER CONTACT ASSEMBLY	CuZn, STAINLESS STEEL	2 3
5--1	-1	ITEM	DESCRIPTION	MATERIAL	PLATING
10	4	ORDER N°	ORDER N°		

<small>THIS DRAWING IS A CONTROLLED DOCUMENT FOR TYCO ELECTRONICS CORPORATION. IT IS SUBJECT TO CHANGE AND THE CONTROLLING ENGINEERING ORGANIZATION SHOULD BE CONTACTED FOR THE LATEST REVISION.</small>		DWN R. Luppi 03JAN05 CHK D. Bozzer 04JAN05 APVD - PRODUCT SPEC 108-71060 APPLICATION SPEC - WEIGHT -	tyco Electronics Tyco Electronics Oostkamp - Belgium
DIMENSIONS: mm 		NAME BOARD-TO-BOARD CONNECTOR 10 MM HEIGHT	
TOLERANCES UNLESS OTHERWISE SPECIFIED: 0 PLC ±0.05 1 PLC ±0.05 2 PLC ±0.05 3 PLC ± 4 PLC ± ANGLES ±2°		SIZE A3 CAGE CODE 00779 DRAWING NO C-619134	RESTRICTED TO -
MATERIAL - FINISH -		CUSTOMER DRAWING SCALE 8:1 SHEET 2 OF 3 REV A2	

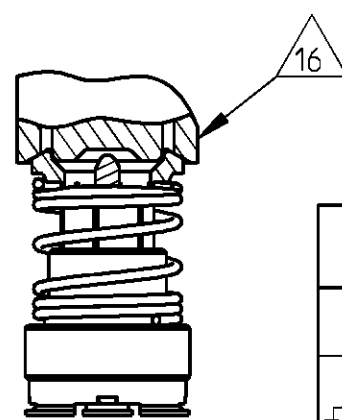
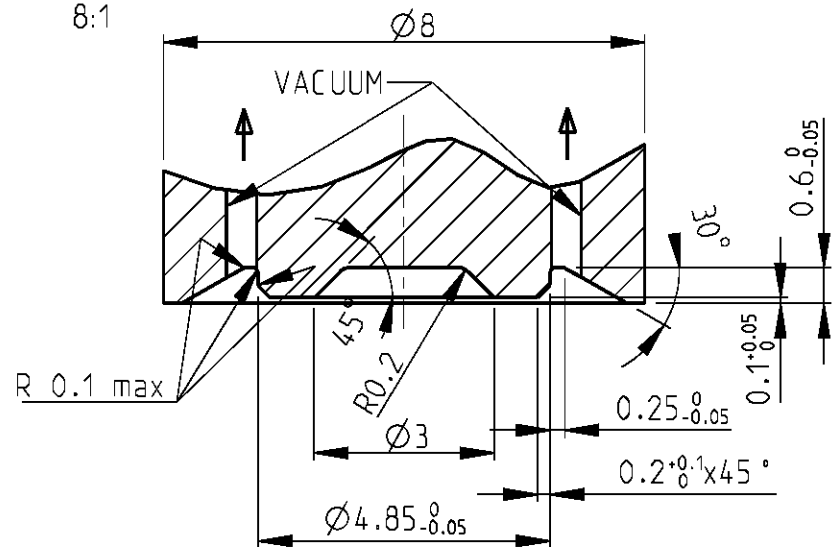
LOC	DIST	REVISIONS				
P	LTR	DESCRIPTION	DATE	DWN	APVD	
GW	00	- see sheet 1	-	-	-	



- 10 PACKAGING:
 -216 CONNECTORS PER TRAY
 -10 TRAYS PER SHIPPING BOX
 -SHIPPING BOX DIMENSIONS (LxBxH): 287x187x200
- 11 ANTISTATIC MATERIAL
- 12 - ALTERNATIVE PACKAGING IN TAPE AND REEL
- 13 CONTACT FORCE FOR CENTER CONDUCTOR:
 F MAX. = 2.8 N (Total length compressed at 13 mm)
- 14 CONTACT FORCE FOR CONTACT RING:
 F MAX. = 5.3 N (Total length compressed at 13 mm)
- 15 RECOMENDED PCB CHARACTERISTICS :
 - PLATING Au , SURFACE ROUGHNESS Rz4 MAX.
 - PCB MATERIAL FR4
 - PCB THICKNESS MIN. 0.8 mm
- 16 RECOMENDED NOZZLE DESIGN

NOZZLE DETAIL 8:1

NOZZLE DETAIL 3:1



<small>THIS DRAWING IS A CONTROLLED DOCUMENT FOR TYCO ELECTRONICS CORPORATION IT IS SUBJECT TO CHANGE AND THE CONTROLLING ENGINEERING ORGANIZATION SHOULD BE CONTACTED FOR THE LATEST REVISION.</small>		DWN R. Luppi 03JAN05	tyco Electronics		Tyco Electronics Oostkamp - Belgium
DIMENSIONS: mm		CHK D. Bozzer 04JAN05	NAME BOARD-TO-BOARD CONNECTOR 10 MM HEIGHT		
TOLERANCES UNLESS OTHERWISE SPECIFIED: 0 PLC ±0.05 1 PLC ±0.05 2 PLC ±0.05 3 PLC ± 4 PLC ± ANGLES ±2°		APVD -	PRODUCT SPEC 108-71060	APPLICATION SPEC -	RESTRICTED TO -
MATERIAL -		FINISH -	WEIGHT -	SIZE A3	CAGE CODE 00779
CUSTOMER DRAWING			DRAWING NO C-619134	SCALE -	SHEET 3 OF 3
					REV A2