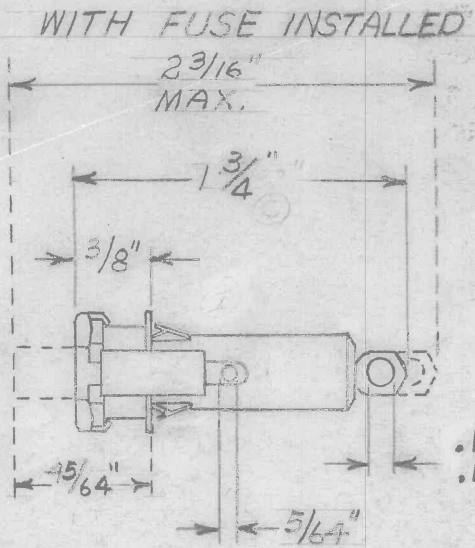
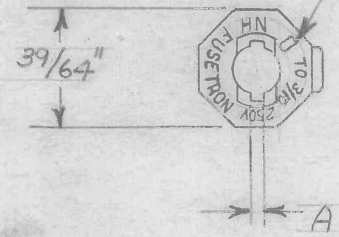


**CONFIDENTIAL:** This drawing or material is submitted to you with the confidence that it will be used only for your information on application engineering studies and shall never be used in any manner detrimental to our interest.

AMPERE RANGE  
STAMPED HERE



LISTED BY-  
UNDERWRITERS LABORATORIES

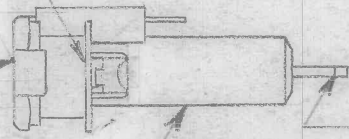
**CUSTOMER PRINT  
FOR  
REFERENCE ONLY**

SPRING NUT - SPRING STEEL  
#4909 FOR .030"-.042" PANEL THICKNESS  
#6374 FOR .043"-.062" PANEL THICKNESS

(J)

TOP CONTACT  
ALBALOY PLATED

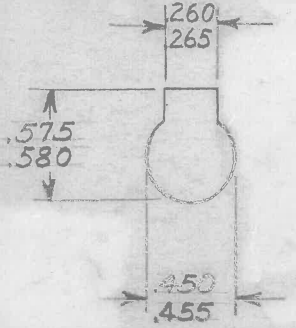
NOTE: #6374 SPRING NUT FURNISHED  
AS SHOWN UNLESS OTHERWISE STATED  
WHEN INSTALLING IN A 1/32" PANEL



BOTTOM CONTACT  
TINNED

BODY PHENOLIC

MOUNTING HOLE



FOR PANELS -  
1/32" TO 1/16" THICK

FUSEHOLDER CATALOG SYMBOL	STANDARD AMPERE RATING OF Type N FUSES	WILL ALSO HOLD	DIM'N "A"	VOLTAGE
HN 0 TO 3/10	1/100, 1/32, 1/16, 1/10, 15/100, 2/10, 1/4, 3/10		.065	250
HN 3/10 TO 1/2	4/10, 1/2	ALL SMALLER SIZES	.085	250
HN 1/2 TO 3/4	6/10, 3/4	" " "	.105	250
HN 3/4 TO 1 1/4	8/10, 1, 1 1/4	" " "	.125	250
HN 1 3/4 TO 1 3/4	16/10, 1 3/4	NO OTHER FUSE	.085	250
HN 1 3/4 TO 2 1/2	2, 2 1/2	16/10, 1 3/4	.105	250
HN 2 1/2 TO 3 1/2	28/10, 3 2/10, 3 1/2	16/10, 2 1/2	.125	250
HN 3 1/2 TO 5	4, 5	16/10, 3 1/2	.145	250
HN 5 TO 7	6 1/4, 7	16/10, 7	.165	250

56

DRAWN BY  
ENG. OK  
MFG. OK  
SALES OK

Busseman Division  
Cooper Industries  
St. Louis, MO 63178

LETTERS IN CIRCLE INDICATE CHANGE FROM PRECEDING PRINT.

NO. HN

ND3069

DATED 3-20-02

DATE 8-21-03 NO. HN REV. B

FUSEHOLDER

FOR Type N FUSES

