



**Features:**

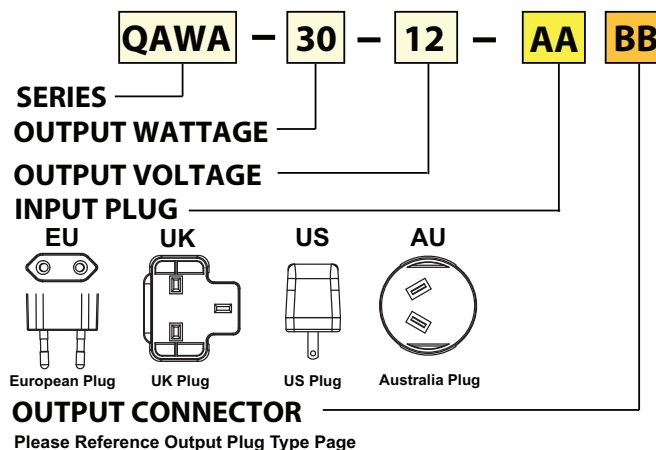
- Universal AC input/ Full Range
- Energy Efficiency Level VI
- ErP Step 2 Compliant
- NRCan and GEMS Compliant
- Output Protections: OVP/SCP/OC
- No Load Power Consumption <0.1W
- 1 Year Warranty



Model	QAWA-30-5	QAWA-30-7.5	QAWA-30-8.5	QAWA-30-9	QAWA-30-12	QAWA-36-13.5	QAWA-36-15	QAWA-36-16	QAWA-36-18	QAWA-36-24	QAWA-36-48
<b>Output Characteristics</b>											
DC Output	5V	7.5V	8.5V	9V	12V	13.5V	15V	16V	18V	24V	48V
Rated Current	5.0A	4.0A	3.52A	3.34A	3.0A	2.66A	2.40A	2.25A	2.00A	1.5A	0.75A
Ripple and Noise	±2% Vo @ Rated Load										
Load Regulation (Typ.)	±5%										
Transient Response (Typ.)	0.5mS for 50% Load Change										
Hold-up Time (Typ.)	10mS @ Rated Load										
Output Protection	Short Circuit, Over Voltage, Over Current										
Ferrite Core	No										
<b>Input Characteristics</b>											
Voltage Range	100VAC~240VAC										
Frequency Range	50Hz-60Hz										
Efficiency	DoE Level VI, Energy Star, ErP Step 2, NRCan & GEMS LEVEL VI Certified										
AC Current (max)	1.0A										
Input Protection	Internal Primary Current Fuse, Inrush Limiting										
Leakage Current	0.25mA										
<b>Environmental Characteristics</b>											
Operating Temperature	0°C~40°C										
Operating Relative Humidity	20% RH to 80% RH										
Storage Temperature	-20°C~80°C, 10% RH to 90% RH										
Topology	Switching Flyback										
Dielectric Withstand	3000VAC Primary-Secondary										
EMI Conduction & Radiation	Compliance to EN55022 Class B										
Harmonic Current	Compliance to EN61000-3-2, 3										
EMS Immunity	IEC61000-4-2, 3, 4, 5, 6, 8, 11										
<b>Characteristics</b>											
MTBF	300,000Hrs (25°C, Telecordia SR-332)										
Dimension (LxWxH)	79x34x74mm (US), 79x34x94mm (EU), 79x49x86mm (UK), 79x41x82 (AU)										
Weight	160g										

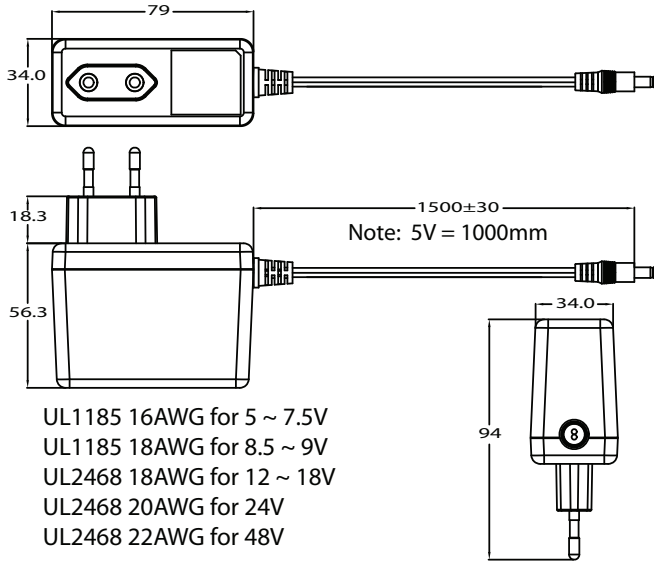
Note: Safety Approvals  
 EU: CB, CE, LPS  
 UK: CB, CE, LPS  
 US: CB, UL, cUL, FCC, PSE, BSMI, LPS  
 AU: CB, RCM, LPS

**PART NUMBER SYSTEM**

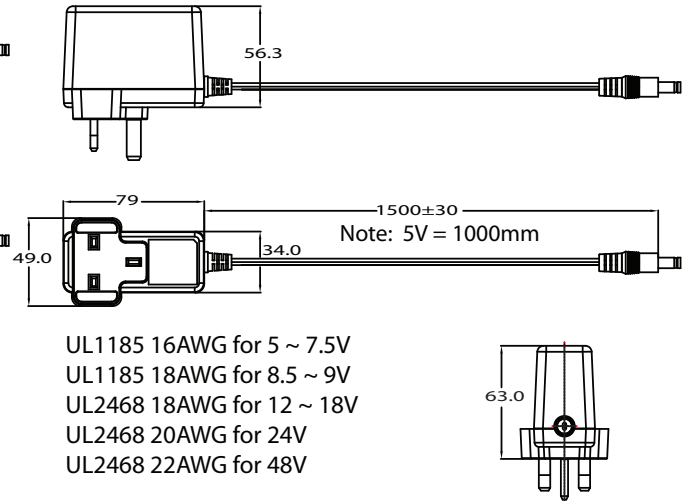


## MECHANICAL SPECIFICATIONS

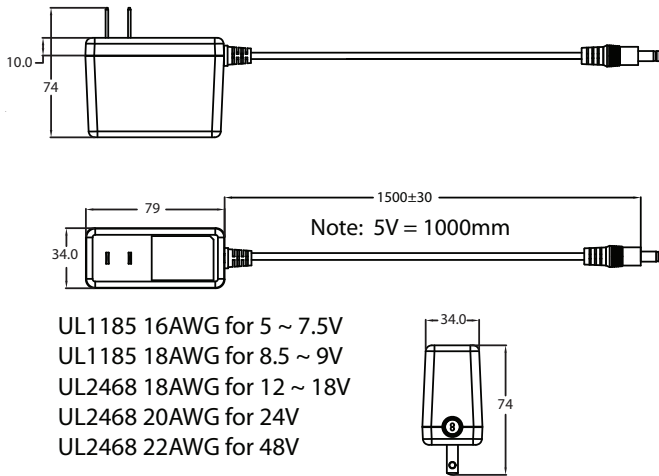
### QAWA-30/36-XX-EU



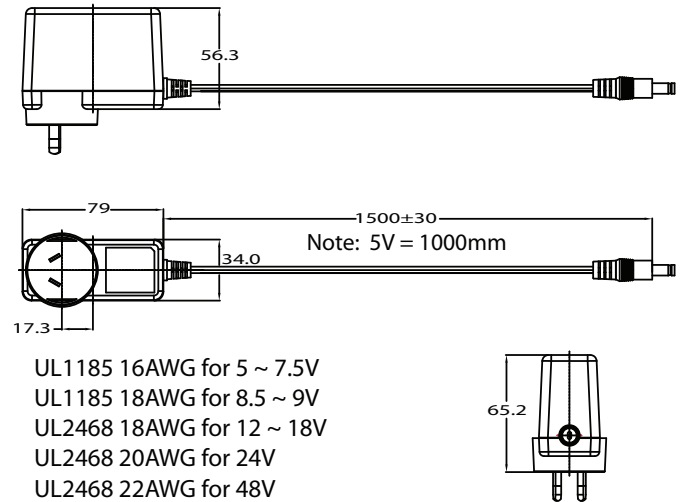
### QAWA-30/36-XX-UK



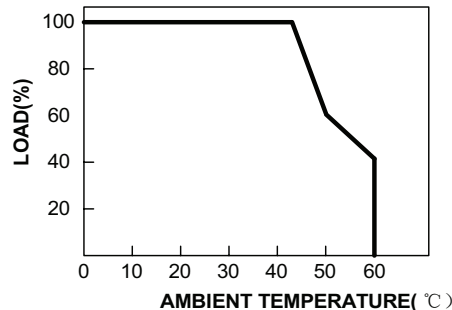
### QAWA-30/36-XX-US



### QAWA-30/36-XX-AU



## DERATING CURVE



UNIT: mm