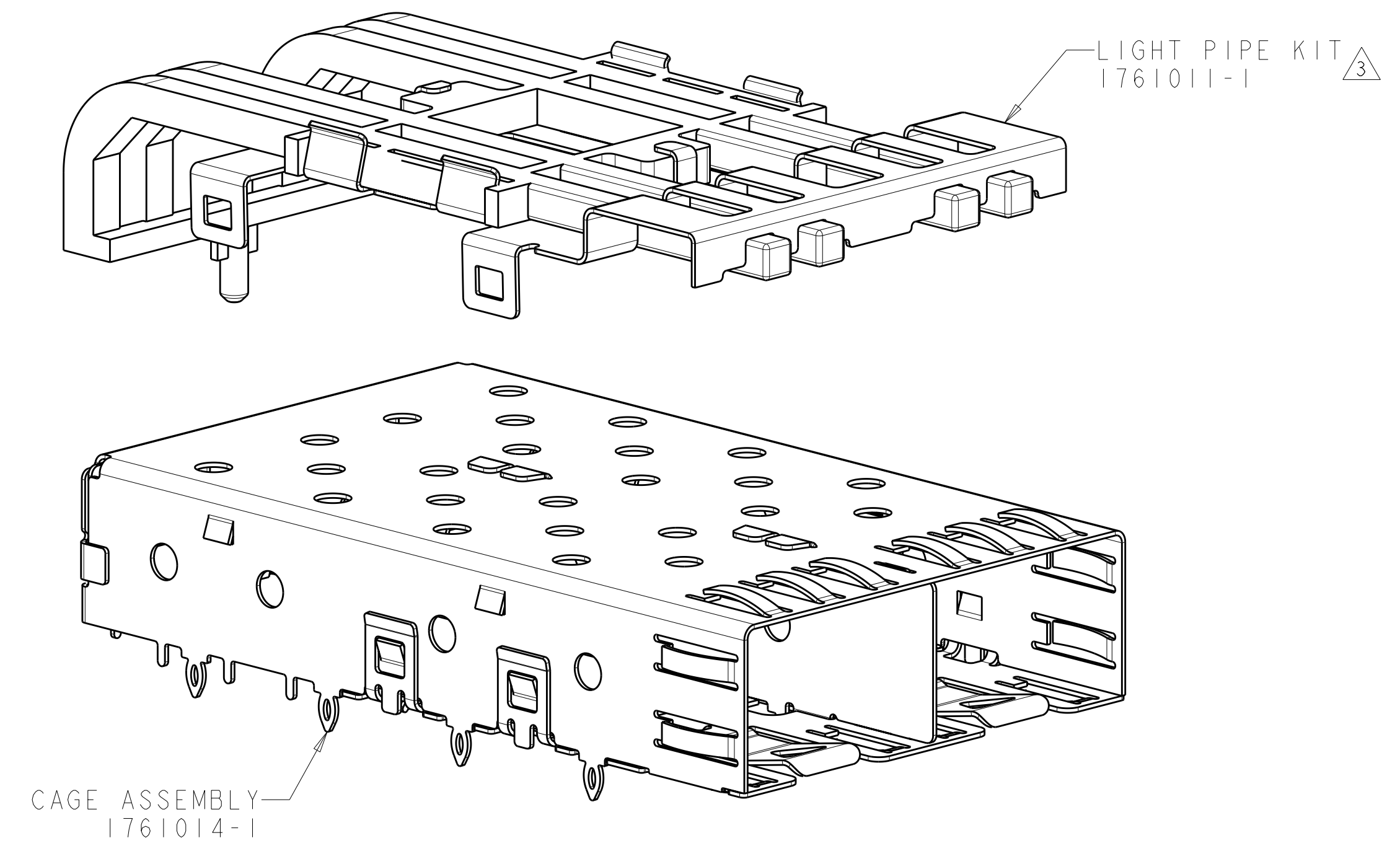
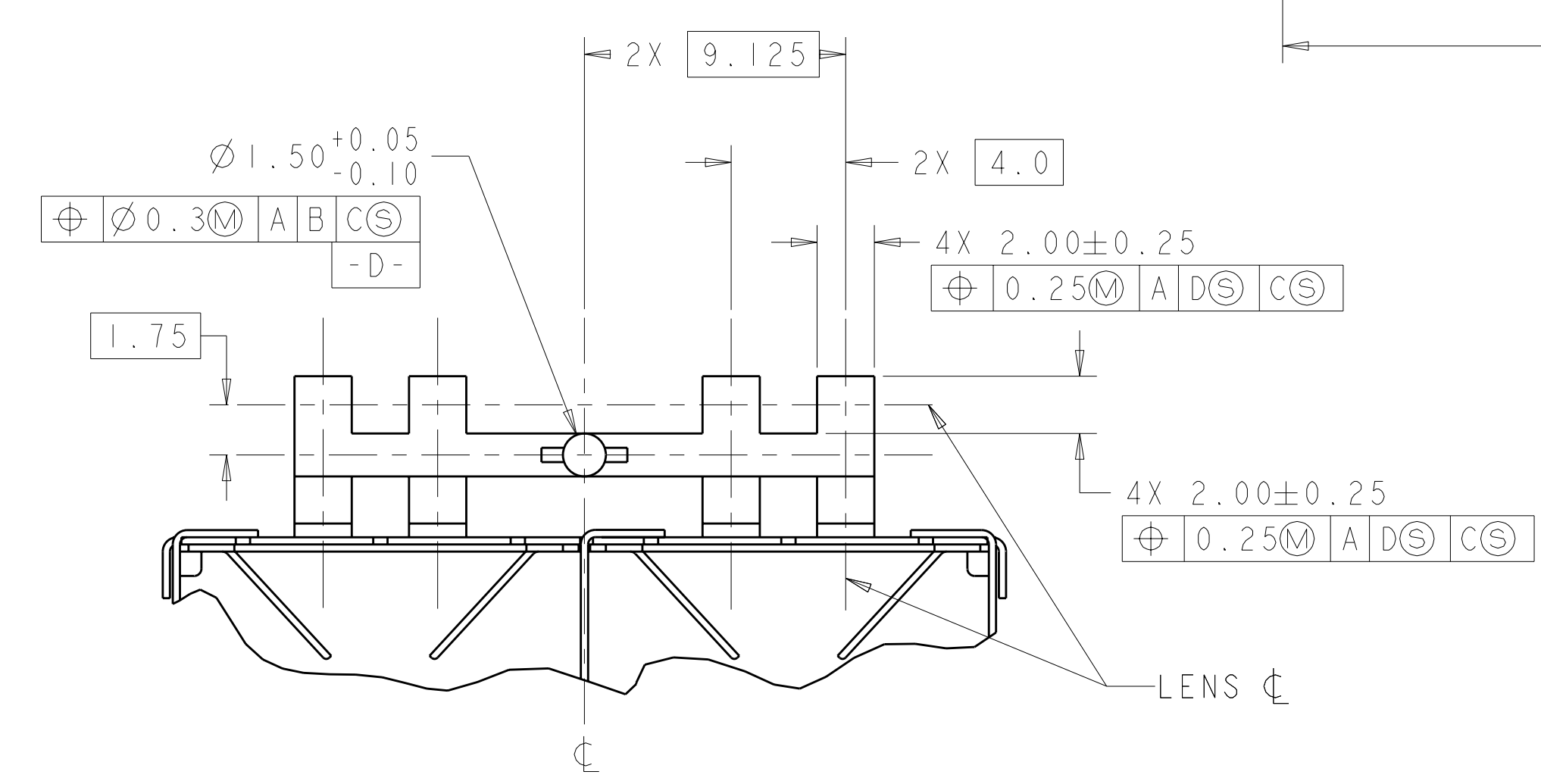
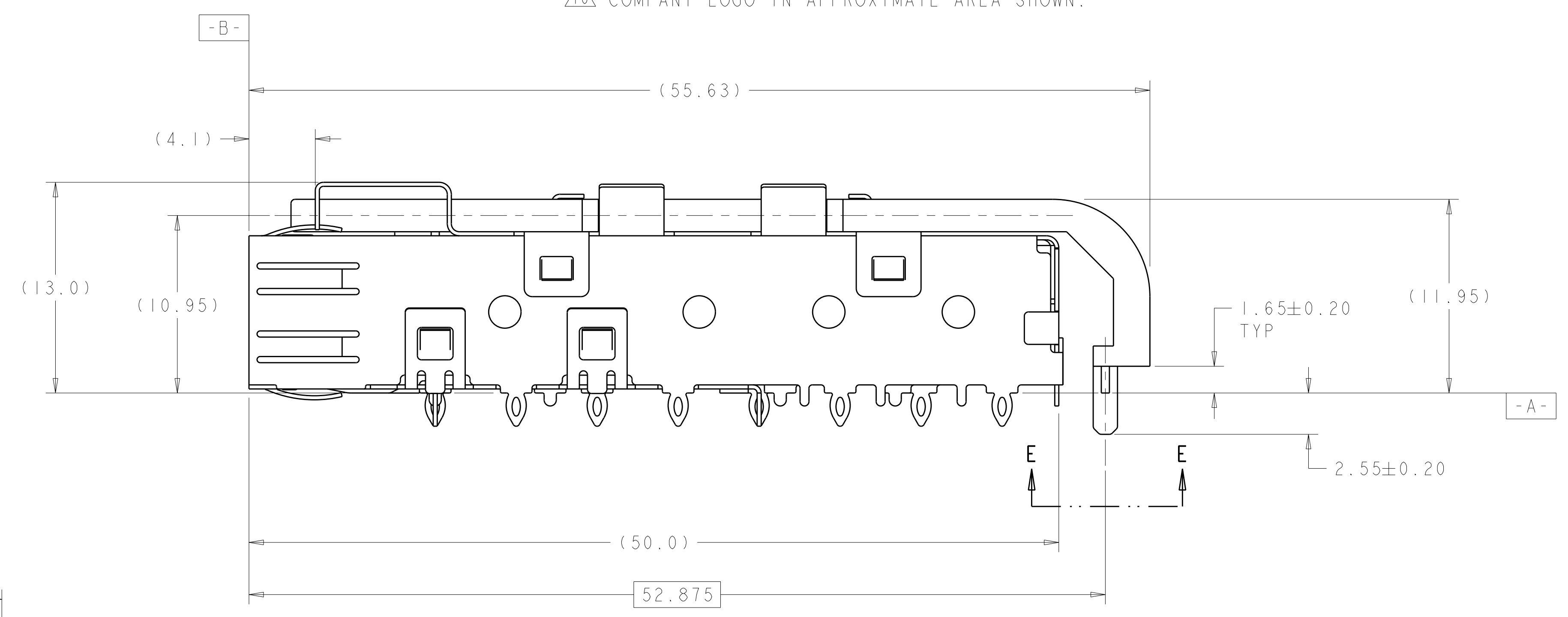
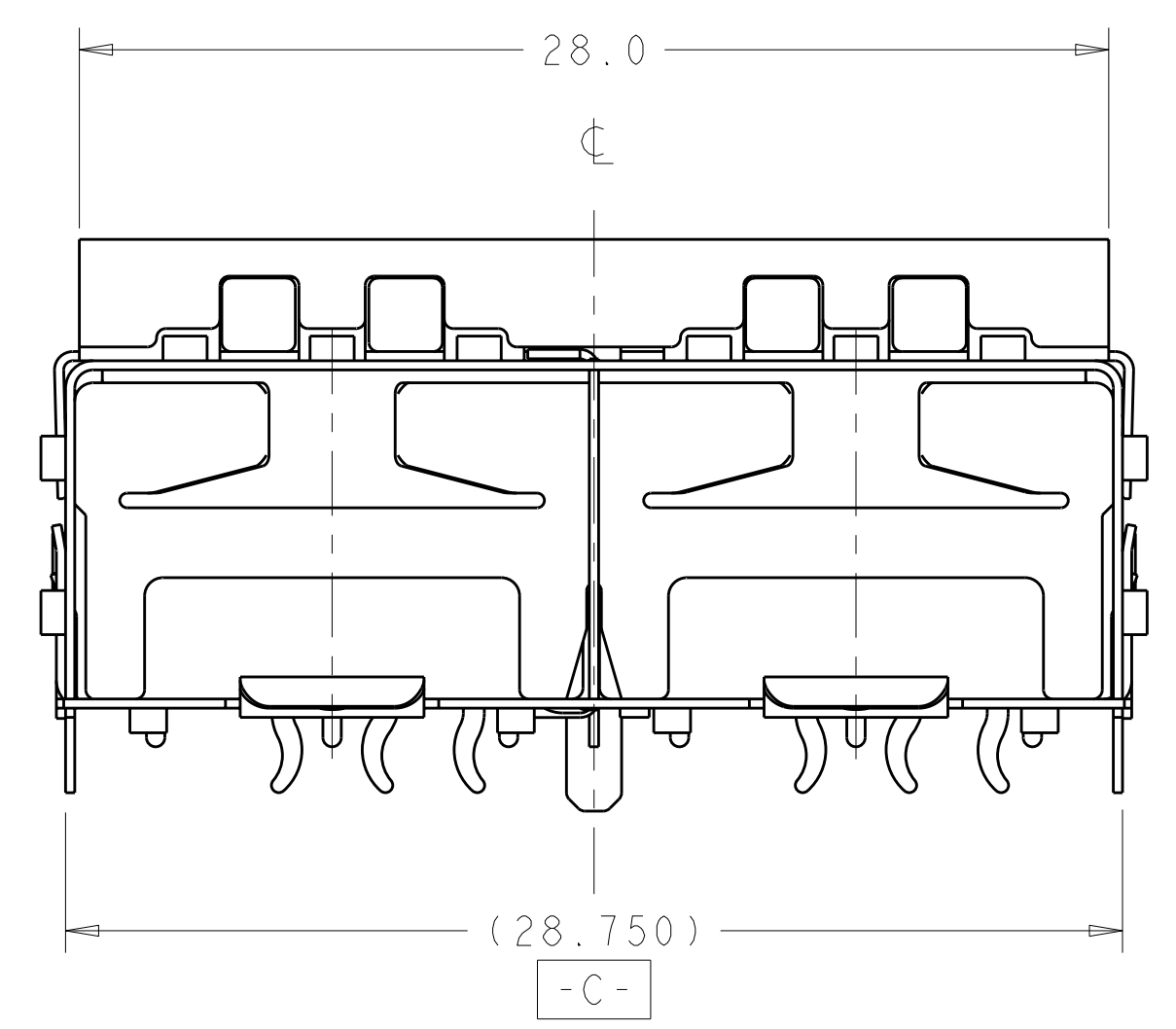


LOC	DIST	REV	DATE	BY	CHK	APPV
GP	00	E1	18APR2011	RK	HMR	

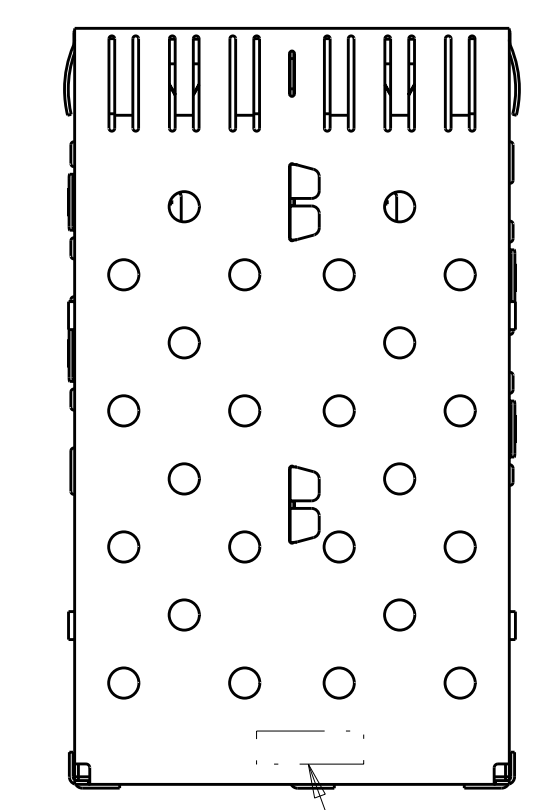


- ⚠ PADS AND VIAS CHASSIS GROUND.
- ⚠ DATUM AND BASIC DIMENSIONS ESTABLISHED BY CUSTOMER.
- ⚠ LIGHT PIPE KIT WHICH IS SEPARATE FROM CAGE ASSEMBLY. KIT TO BE ATTACHED AFTER SEATING OF 1761014-1 ON PC BOARD.
- 4. LABEL ON CAGE WILL HAVE PART NUMBER 1761014-1.
- 5. REFERENCE STYLE 1 ON APPLICATION SPECIFICATION 114-13165 FOR ADDITIONAL INFORMATION ON CAGE ASSEMBLIES WITH LIGHT PIPES.
- ⚠ REFERENCE APPLICATION SPEC 114-13120, HOLE A, FOR RECOMMENDED DRILL HOLE DIAMETER AND PLATING THICKNESSES.
- ⚠ REFERENCE APPLICATION SPEC 114-13120, HOLE B, FOR RECOMMENDED DRILL HOLE DIAMETER AND PLATING THICKNESSES.
- ⚠ PATTERN REPEATS FOR EACH PORT. SPACING BETWEEN PORTS IS 14.25mm.
- ⚠ MINIMUM PC BOARD THICKNESS = 1.50mm.
- ⚠ COMPANY LOGO IN APPROXIMATE AREA SHOWN.

1761007-1
SCALE 4:1



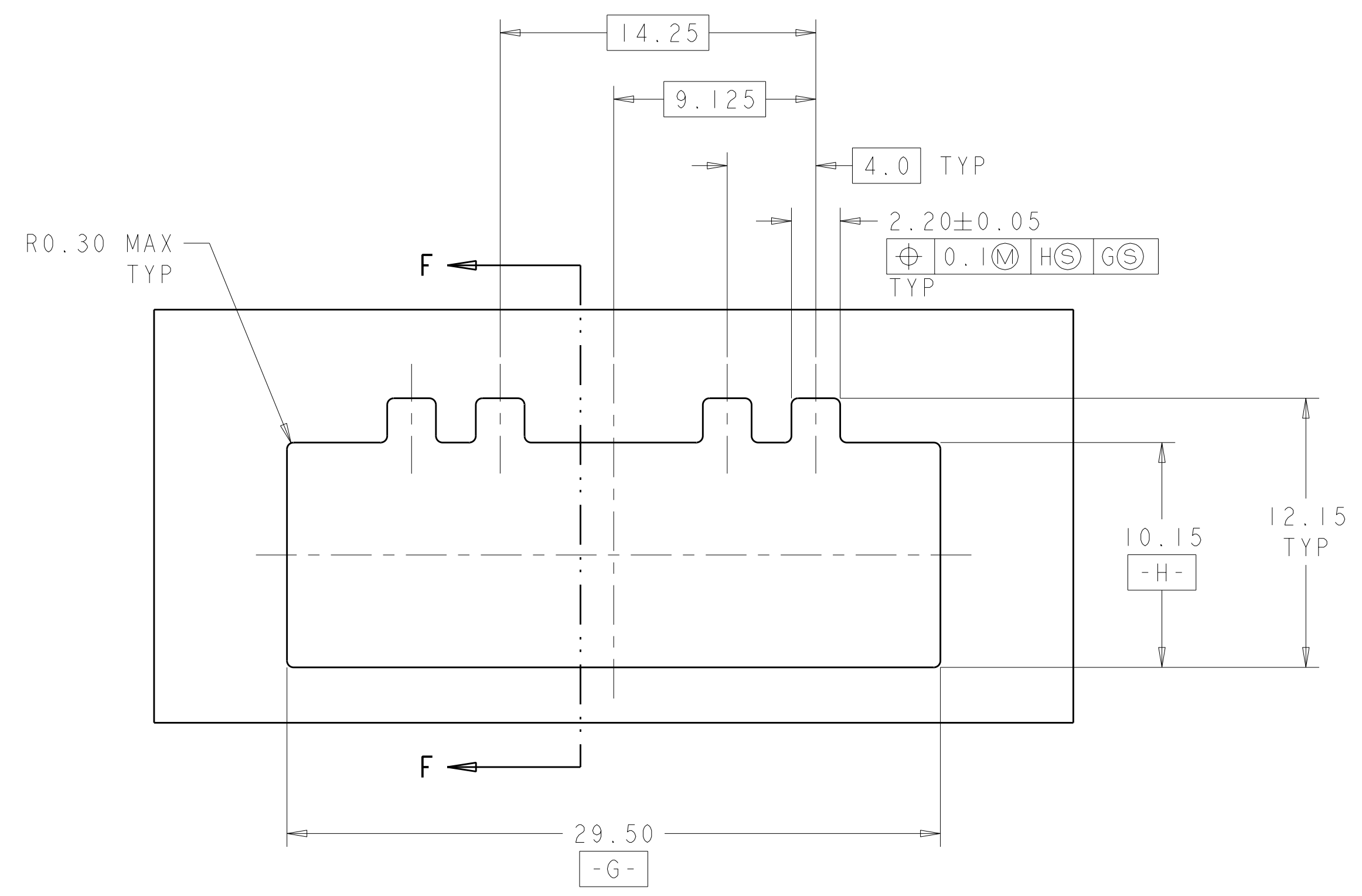
VIEW E-E
ROTATED 90° COUNTERCLOCKWISE



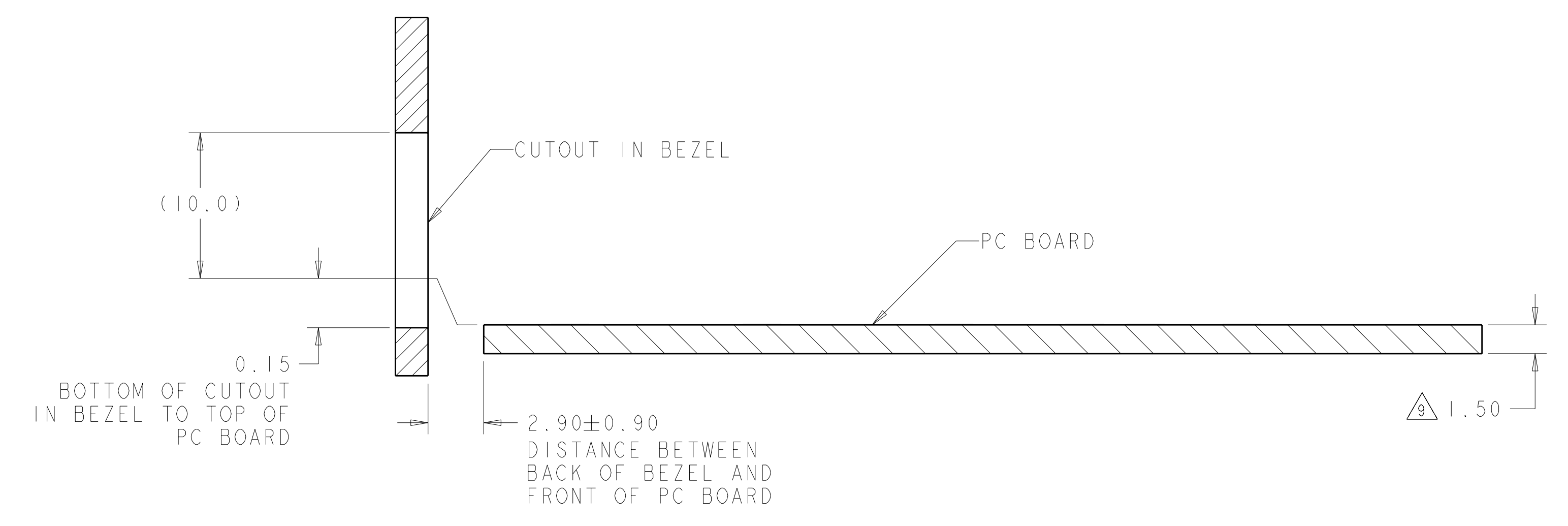
IX2 ASSEMBLY	1761007-1
DESCRIPTION	PART NO

THIS DRAWING IS A CONTROLLED DOCUMENT.		DWN: WM.VAN SCOOC 16JAN2004		NAME: SFP	
DIMENSIONS: mm		CHK: M.PHILLIPS 16JAN2004		PRODUCT SPEC: 108-1950	
TOLERANCES UNLESS OTHERWISE SPECIFIED:		APPV: M.PHILLIPS 16JAN2004		APPLICATION SPEC: 114-13120	
9 PLC ±0.10		MATERIAL: -		RESTRICTED TO: -	
1 PLC ±0.10		FINISH: -		SCALE: 5:1	
2 PLC ±0.10		WEIGHT: -		SHEET 1 OF 3	
3 PLC ±0.10		CUSTOMER DRAWING		REV: E1	
4 PLC ±0.10		SIZE: CAGE CODE DRAWING NO: A1100779C=1761007			
ANGLES ±0.10					

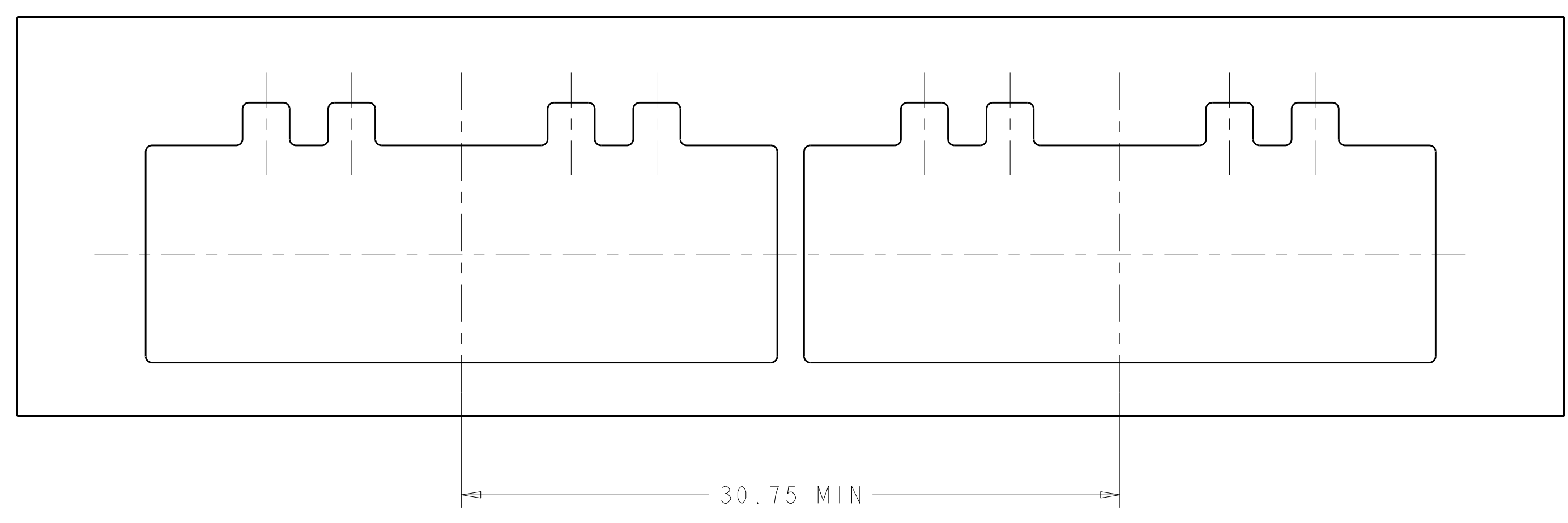
LOC	DIST	REVISIONS			
GP	00	REV	DATE	BY	APPV
		-	SEE SHEET 1	-	-



RECOMMENDED BEZEL CUTOUT

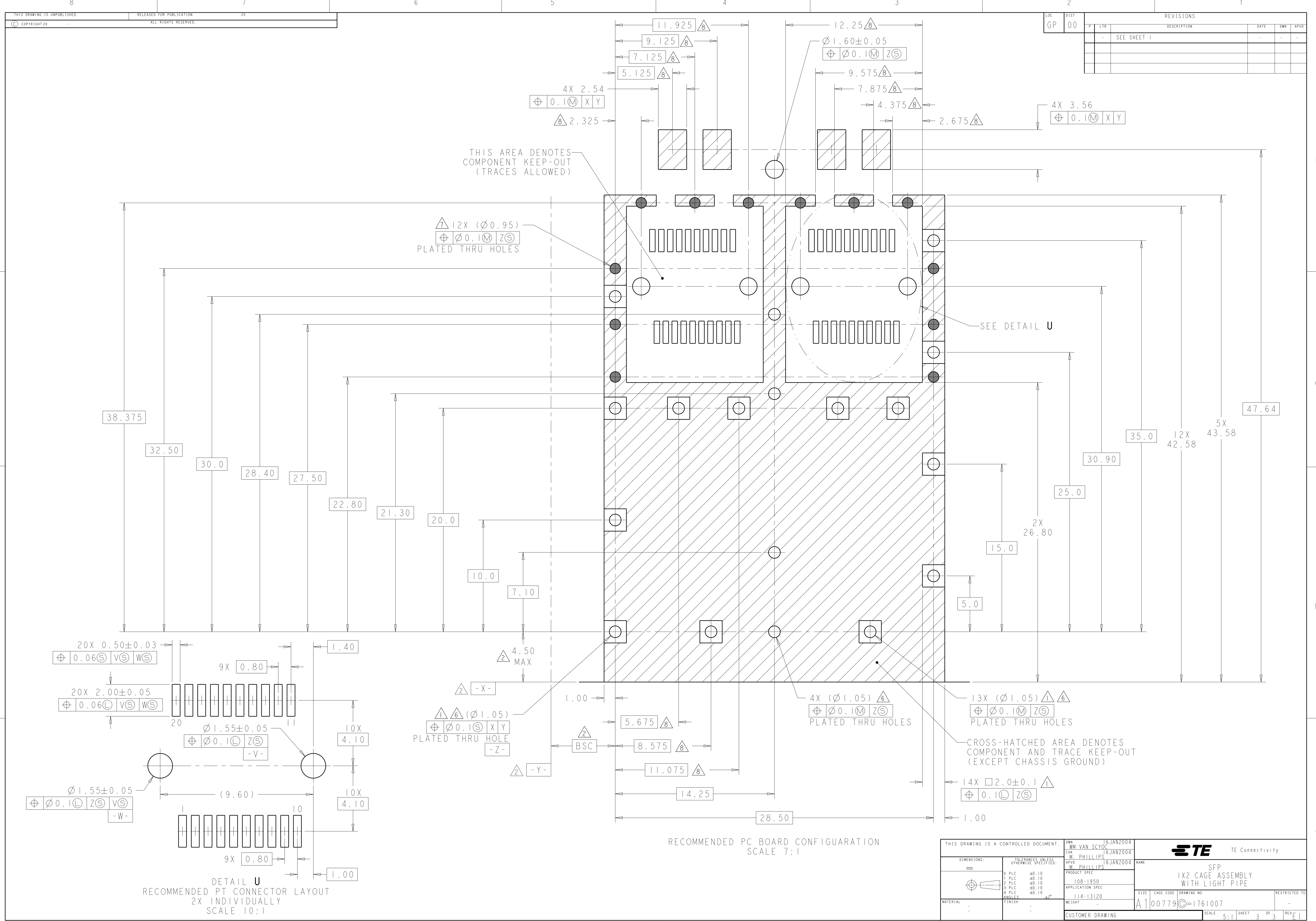


SECTION F-F
RECOMMENDED BEZEL CONFIGURATION



THIS DRAWING IS A CONTROLLED DOCUMENT.		DWN: MM VAN SCOOC 16 JAN 2004 CHK: M PHILLIPS 16 JAN 2004 APVD: M PHILLIPS 16 JAN 2004	TE Connectivity
DIMENSIONS: mm 	TOLERANCES UNLESS OTHERWISE SPECIFIED: 9 PLC ±0.10 2 PLC ±0.10 3 PLC ±0.10 4 PLC ±0.10 ANGLES ±0.10 FINISH #2	NAME: SFP PRODUCT SPEC: 108-1950 APPLICATION SPEC: 114-13120 WEIGHT: - CUSTOMER DRAWING	

LOC		DIST		REVISONS			
GP	00	P	LTR	DESCRIPTION	DATE	DWN	APVD
				SEE SHEET 1			



THIS AREA DENOTES
 COMPONENT KEEP-OUT
 (TRACES ALLOWED)

12X (Ø0.95)
 Ø0.10 Z
 PLATED THRU HOLES

SEE DETAIL U

CROSS-HATCHED AREA DENOTES
 COMPONENT AND TRACE KEEP-OUT
 (EXCEPT CHASSIS GROUND)

RECOMMENDED PC BOARD CONFIGURATION
 SCALE 7:1

DETAIL U
 RECOMMENDED PT CONNECTOR LAYOUT
 2X INDIVIDUALLY
 SCALE 10:1

THIS DRAWING IS A CONTROLLED DOCUMENT.		DWN: 16 JAN 2004		M. VAN SCOCCO	
DIMENSIONS:		CHK: 16 JAN 2004		M. PHILLIPS	
mm		APVD: 16 JAN 2004		M. PHILLIPS	
TOLERANCES UNLESS OTHERWISE SPECIFIED:		PRODUCT SPEC		NAME	
9 PLC ±0.10		108-1950		SFP	
1 PLC ±0.10		APPLICATION SPEC		1X2 CAGE ASSEMBLY WITH LIGHT PIPE	
5 PLC ±0.10		114-13120		SIZE: CAGE CODE DRAWING NO. RESTRICTED TO	
4 PLC ±0.10		WEIGHT		A100779C-1761007	
ANGLES ±0.10		FINISH		SCALE 5:1 SHEET 3 OF 3 REV E	
MATERIAL		CUSTOMER DRAWING			