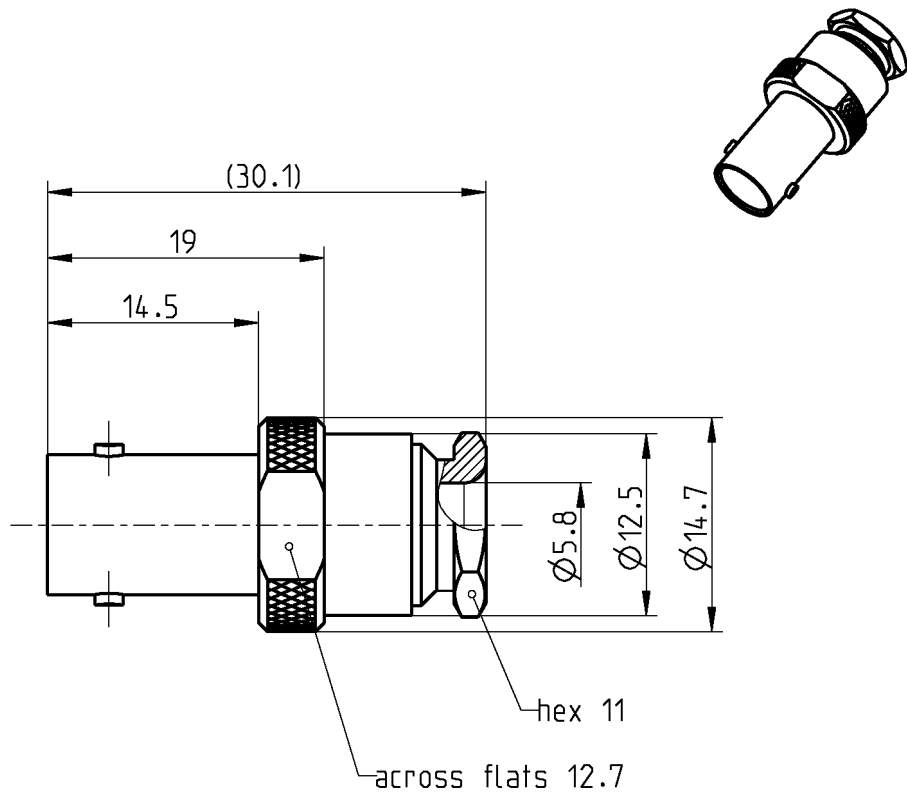


BNC 50
Ω

STRAIGHT JACK

51K106-006N5



All dimensions are in mm; tolerances according to ISO 2768 m-H

Interface

According to IEC 60169-8, MIL-PRF-39012, CECC 22120

Documents

Assembly instruction 51 E

Material and plating

Connector parts

Center contact
Outer contact
Body
Dielectric
Gasket

Material

CuBe
Brass
Brass
PTFE
Silicone

Plating

AuroDur®, gold plated
Flash white bronze over silver(e.g. Optargen®)
Flash white bronze over silver(e.g. Optargen®)

