

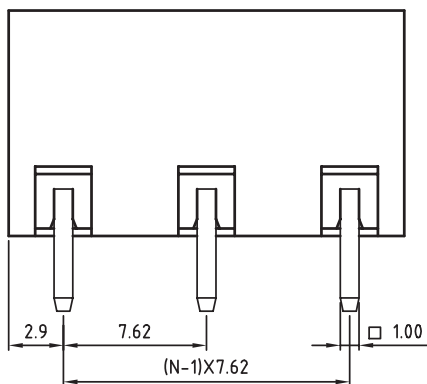
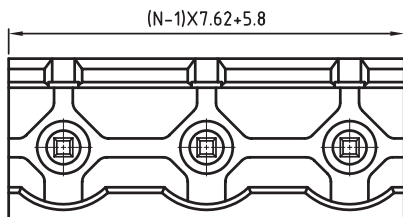
1

2

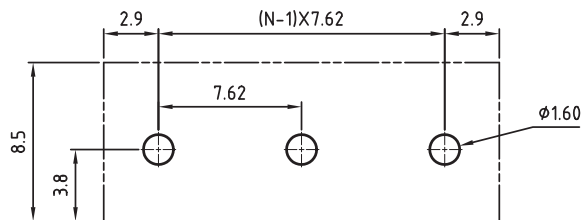
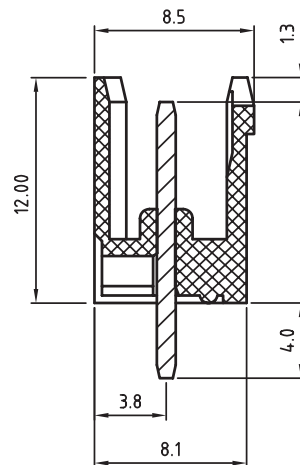
3

4

5



N=Number of contacts



PCB LAYOUT - COMPONENT VIEW

TECHNICAL CHARACTERISTICS

MATERIAL
 INSULATOR: PBT
 FLAMABILITY RATING: UL94-V0
 COLOR: GREEN
 CONTACT: BRASS
 SOLDER TAIL PLATING: TIN

ENVIRONMENTAL
 OPERATING TEMPERATURE: -40 UP TO 105°C
 COMPLIANCE: LEAD FREE AND ROHS

ELECTRICAL
 CURRENT RATING: 20A
 WORKING VOLTAGE: 300VAC
 WITHSTANDING VOLTAGE: 1.6KV
 CONTACT RESISTANCE: 20 mOhm max

STANDARD
 cULus CERTIFIED E315414 / MODEL NUMBER 3114

MECHANICAL
 PITCH: 7.62MM

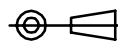
SOLDERING: WAVE PROCESS ONLY

PACKAGING: BOX

SERIE 3114

RoHS Compliant

PROJECTION:



GENERAL TOLERANCE

.X = +/- 0.2

.XX = +/- 0.15



APPROVAL: RJ

UNIT: MM

SCALE:

SHEET: 1/1

DRAW: MARVIN

DESCRIPTION: SERIE 3114 - 7.62MM OPEN VERTICAL PCB HEADER
 WR-TBL

WERI PART NO: 691 311 400 0xx

SIZE

A4

G			
F			
E			
D			
C			
B	14-OCT-09	STANDARD	JP
A	12-NOV-08	PDF	JP
REV	DATE	FILE	BY