

LT3496EUFD

Triple Step-Down LED Driver

DESCRIPTION

WARNING!

Do not look directly at operating LED.

This circuit produces light that can damage eyes.

Demonstration circuit 986 is a Triple Step-Down LED Driver featuring the LT3496EUFD. The LT3496 is a triple output DC/DC converter designed to operate as current sources for driving high current LEDs. On the demo board, the default current for each output channel is 500mA. Setting CTRL voltage to be less than 1V will control the current sense voltage to be one-tenth of CTRL voltage, therefore, reduce the LED current. The output current should not exceed the rated current of the LEDs used. The LED current thermal derating should be considered to protect the LEDs. The maximum voltage of an LED string the demo board can drive is limited by the duty cycle and the input voltage of the LT3496. The demo board default switching frequency is 2.1MHz. At this frequency, the maximum duty cycle is 70% (MIN). Lower the switching frequency results in higher maximum duty cycle.


The maximum power input voltage (PV_{IN}) is 45V. As a result, each channel of the demo board can drive up to ~31V total LED voltage.

Adjustable switching frequency allows optimization of the efficiency and the external component size. At 2.1MHz, 93% efficiency can be achieved at 500mA with minimum solution size.

Each of the three regulators on the demo board is independently operated. The PWM dimming feature of the LT3496 allows True Color PWM dimming with the dimming ratio of 5000:1. Additional analog dimming is possible.

The LT3476 datasheet gives complete description of the part, operation and application information. The datasheet must be read in conjunction with this quick start guide for working on or modifying the demo circuit 986.

Design files for this circuit board are available. Call the LTC factory.

 , LTC and LT are registered trademarks of Linear Technology Corporation.

PERFORMANCE SUMMARY Specifications are at TA = 25°C

SYMBOL	PARAMETER	CONDITIONS	MIN	TYP	MAX	UNITS
PV_{IN}	Power Input Supply *				45	V
V_{IN}	Chip Bias Input Supply **		3		5.5	V
V_{LED}	Output LED Voltage, per Output	$PV_{IN} = 45V, I_{LED} = 500mA, F_{sw} = 2.1MHz$			31	V
I_{LED}	Output LED Current, per Output		485	500	515	mA
F_{SW}	Switching Frequency	FADJ=VREF	1.9	2.1	2.3	MHz
η	Conversion Efficiency	$I_{LED} = 500mA, PV_{IN} = 33V, V_{IN} = 3.3V, 10 \text{ Red LEDs}$		93		%
P_{OUT}	Maximum Total Output Power	$I_{LED} = 500mA$			45	W
PWM_D	PWM Dimming Ratio	PWM Frequency = 100Hz, $PV_{IN} = 33V, V_{IN} = 3.3V, 3 \text{ White LEDs at } 300mA, 2.1MHz$		5000:1		

* 45V is the absolute maximum rating of the LT3496. This rating should not be exceeded under any condition.

** V_{IN} of the demo board is limited by the choice of the input capacitor. The LT3496 input range is 3V-30V with transient protection to 40V.

QUICK START PROCEDURE

Demonstration circuit 986 is easy to set up to evaluate the performance of the LT3496EUFD. Refer to Figure 1 for proper measurement equipment setup and follow the procedure below:

1. With power off, connect an input power supply to V_{IN} and GND. To achieve highest efficiency, a low voltage supply, such as 3.3V or 5V, is recommended.
2. With power off, connect a second input power supply to PV_{IN} and GND. The PV_{IN} absolute maximum rating is 45V.
3. If an output channel n is not used, the PWM_n should be tied to GND.
4. With power off, connect an LED string to an output channel interested. Connect the anode of the first

LED to the LED_n . Connect the cathode of the last LED to the LED_n . All three channels can operate simultaneously or individually.

5. Turn on PV_{IN} power supply.
6. Turn on V_{IN} power supply.
7. Check for the proper LED current and LED string voltage.
NOTE. If there is no output, turn off the power supplies. Check all connections.
8. Once the proper output current/voltage are established, adjust the parameters within the operating range and observe the output current regulation, efficiency and other parameters.
9. To observe PWM dimming, turn off all power supplies. Connect the PWM_n to a pulse generator. Then repeat step 5 – 8.

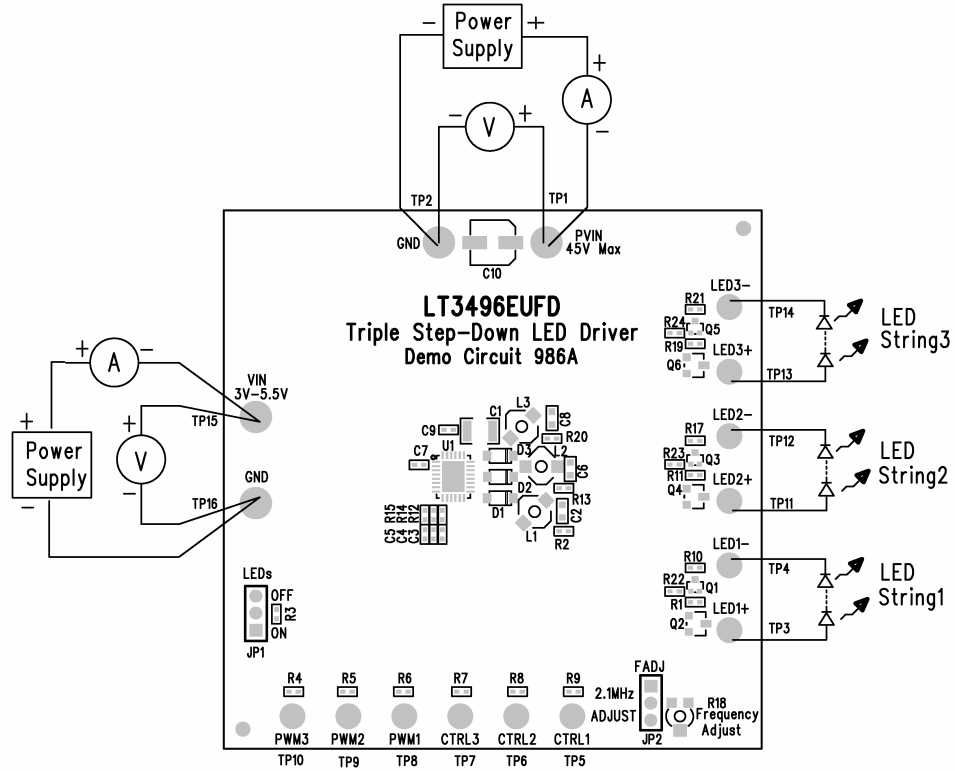
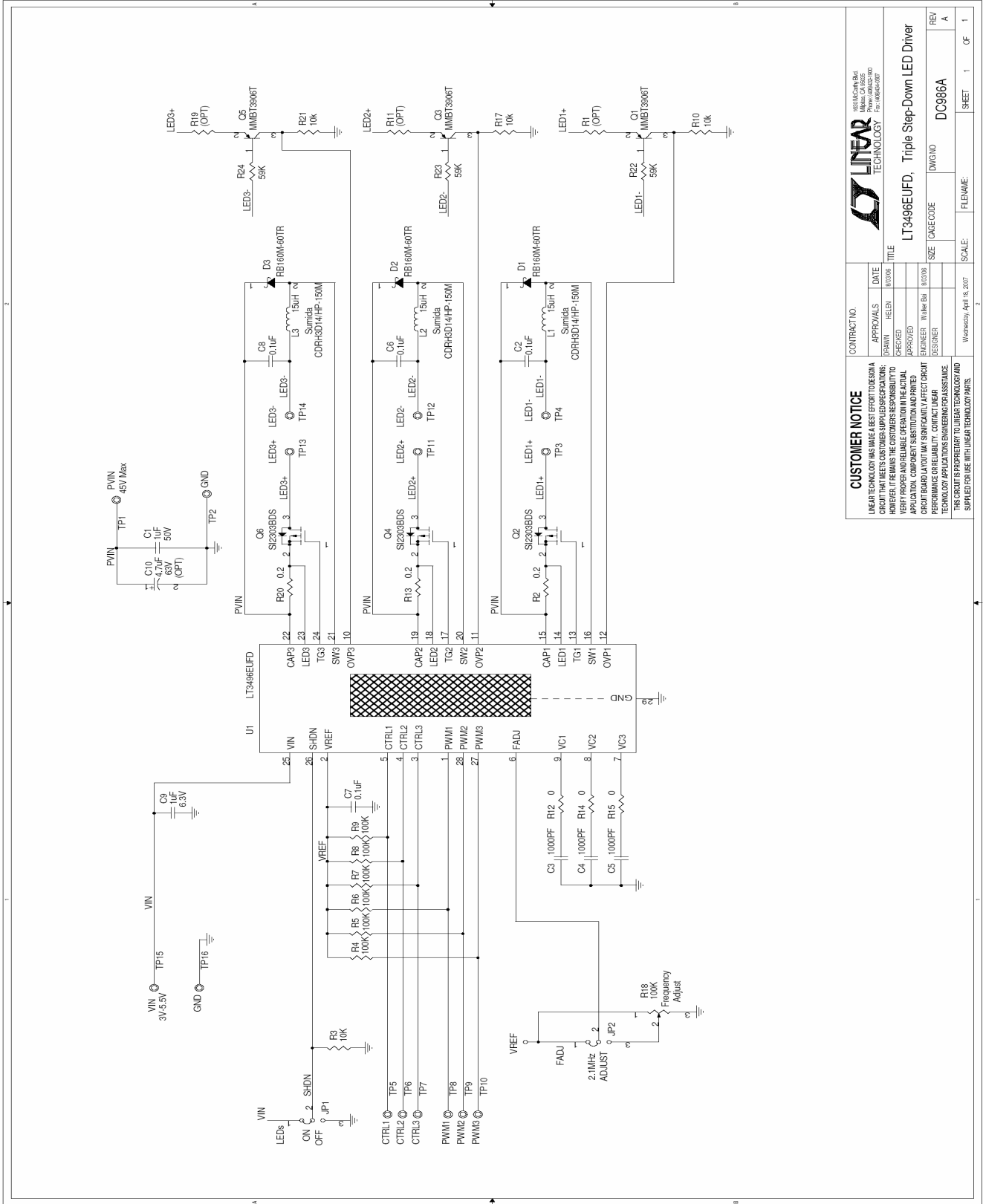


Figure 1. Proper Measurement Equipment Setup

LT3496EUF



CONTRACT NO.		APPROVALS	DATE	TITLE
		DESIGNED BY: HELEN	10/2006	LT3496EUF, Triple Step-Down LED Driver
		CHECKED BY:		
		APPROVED BY:		
		DESIGNED BY: WALTER BA	10/2006	
		REVISION:		
		SIZE: (CASE CODE)	DWGNO	DC986A
		SCALE:	FLENVME:	
		DATE:	Wednesday, April 18, 2007	
		SHEET	1	OF 1

CUSTOMER NOTICE
 LINEAR TECHNOLOGY HAS MADE A BEST EFFORT TO DESIGN A CIRCUIT THAT MEETS CUSTOMER-SUPPLIED SPECIFICATIONS; HOWEVER, IT REMAINS THE CUSTOMER'S RESPONSIBILITY TO VERIFY PROPER AND RELIABLE OPERATION IN THE ACTUAL APPLICATION. COMPONENT SUBSTITUTION AND PRINTED CIRCUIT BOARD LAYOUT MAY SIGNIFICANTLY AFFECT CIRCUIT PERFORMANCE. LINEAR TECHNOLOGY MAKES NO WARRANTIES OR ASSUMES ANY LIABILITY FOR APPLICATIONS PERFORMANCE. THIS SCHEMATIC IS PROPRIETARY TO LINEAR TECHNOLOGY AND SUPPLIED FOR USE WITH LINEAR TECHNOLOGY PARTS.