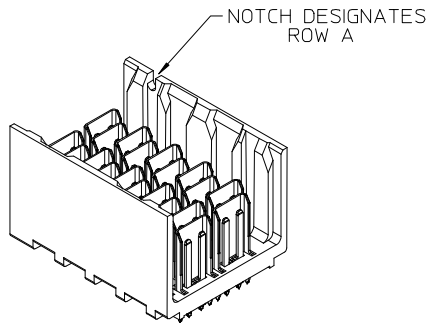
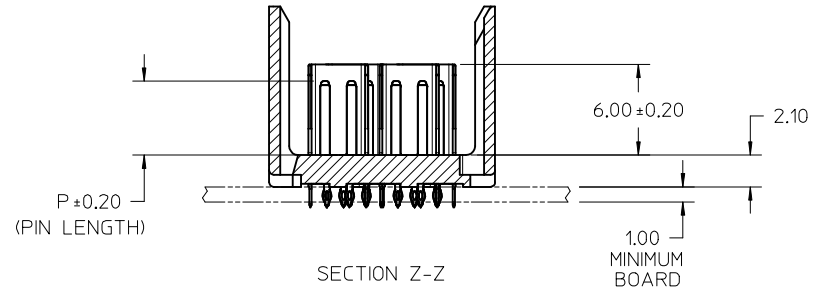
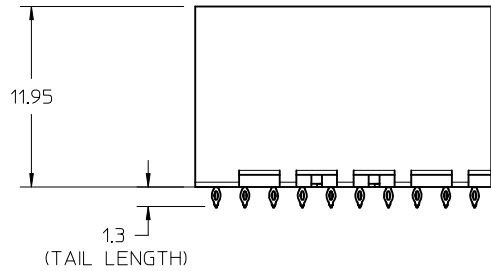
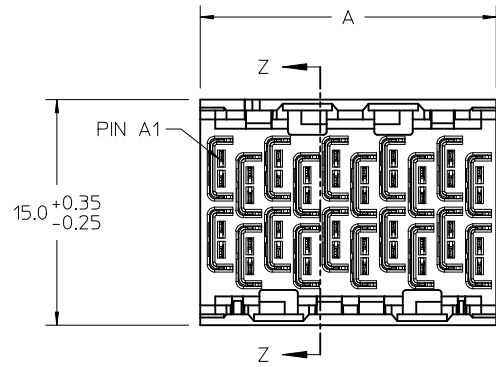


NOTES:

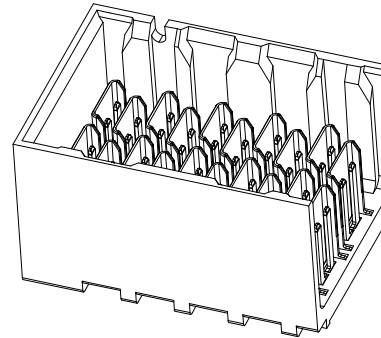
1. MATERIALS: HOUSING - LIQUID CRYSTAL POLYMER (LCP)  
GLASS-FILLED, UL94V-0  
TERMINALS - HIGH PERFORMANCE COPPER ALLOY
2. FINISH: 30uIN GOLD IN CONTACT AREA.  
SELECTIVE TIN ON PCB TAILS.  
NICKEL OVERALL.
3. REFER TO MOLEX PRODUCT SPECIFICATION PS-171320-999 FOR PERFORMANCE SPECIFICATIONS.
4. THIS PART CONFORMS TO CLASS B REQUIREMENTS OF MOLEX COSMETIC SPEC PS-45499-002.
5. PRODUCT WILL BE PACKAGED PER PK-78888-312.
6. SEE SHEETS 2 AND 3 FOR HOLE PATTERN AND MATED PART DIMENSIONS.
7. MATES WITH IMPEL DC SERIES NUMBER 171750.
8. REFER TO IMPEL PCB ROUTING GUIDE AS-171320-990 FOR ANTI PAD, ROUTING RECOMMENDATIONS, AND ADDITIONAL PCB INFORMATION.
9. WHEN STACKING MODULES END TO END, THE MINIMUM COLUMN TO COLUMN SPACING IS 2.65mm.



ADD 8 COL OPTIONS IEC NO: UCP2017-0629 DRWING: MLEE01 2016/09/01 CHKD: SHLENI APPR: SHLENI 2016/10/06	QUALITY SYMBOLS ▽=0 ▽=0 ▽=0	GENERAL TOLERANCES (UNLESS SPECIFIED) <table border="1"> <thead> <tr> <th></th> <th>mm</th> <th>INCH</th> </tr> </thead> <tbody> <tr> <td>4 PLACES</td> <td>± ---</td> <td>± ---</td> </tr> <tr> <td>3 PLACES</td> <td>± ---</td> <td>± ---</td> </tr> <tr> <td>2 PLACES</td> <td>± 0.13</td> <td>± ---</td> </tr> <tr> <td>1 PLACE</td> <td>± 0.25</td> <td>± ---</td> </tr> <tr> <td>0 PLACE</td> <td>± ---</td> <td>± ---</td> </tr> </tbody> </table>		mm	INCH	4 PLACES	± ---	± ---	3 PLACES	± ---	± ---	2 PLACES	± 0.13	± ---	1 PLACE	± 0.25	± ---	0 PLACE	± ---	± ---	DIMENSION STYLE <b>MM ONLY</b> DRAWN BY: B JANOWIAK DATE: 2012/12/06 CHECKED BY: CYLIAW DATE: _____ APPROVED BY: J B INGHAM DATE: 2014/12/29	SCALE: 4:1 DESIGN UNITS: METRIC THIRD ANGLE PROJECTION	TITLE: IMPEL 2 PAIR BACKPLANE UNGUIDED ASSEMBLY SALES DRAWING <b>molex</b>
		mm	INCH																				
	4 PLACES	± ---	± ---																				
	3 PLACES	± ---	± ---																				
2 PLACES	± 0.13	± ---																					
1 PLACE	± 0.25	± ---																					
0 PLACE	± ---	± ---																					
REV: A1	DESCRIPTION:	ANGULAR ±1/2° DRAFT WHERE APPLICABLE MUST REMAIN WITHIN DIMENSIONS	MATERIAL NO.: <b>SEE CHART</b>	DOCUMENT NO.: SD-171745-0001	SHEET NO.: 1 OF 6																		
THIS DRAWING CONTAINS INFORMATION THAT IS PROPRIETARY TO MOLEX INCORPORATED AND SHOULD NOT BE USED WITHOUT WRITTEN PERMISSION																							



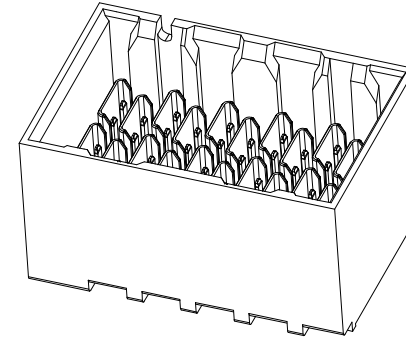
MATERIAL NUMBER	NUMBER OF COLUMNS	NUMBER OF DIFF PAIR	DIM "A"	DIM "B"	DIM "C"	DIM "P"	PTH $\phi$
171745-1814	8	16	17.20	13.30	1.10	4.90	0.46±0.05
171745-1815	8	16	17.20	13.30	1.10	5.50	0.46±0.05
171745-1817	8	16	17.20	13.30	1.20	4.90	0.36±0.05
171745-1818	8	16	17.20	13.30	1.20	5.50	0.36±0.05
171745-1114	10	20	21.00	17.10	1.10	4.90	0.46±0.05
171745-1115	10	20	21.00	17.10	1.10	5.50	0.46±0.05
171745-1117	10	20	21.00	17.10	1.20	4.90	0.36±0.05
171745-1118	10	20	21.00	17.10	1.20	5.50	0.36±0.05
171745-1214	12	24	24.80	20.90	1.10	4.90	0.46±0.05
171745-1215	12	24	24.80	20.90	1.10	5.50	0.46±0.05
171745-1217	12	24	24.80	20.90	1.20	4.90	0.36±0.05
171745-1218	12	24	24.80	20.90	1.20	5.50	0.36±0.05
171745-1614	16	32	32.40	28.50	1.10	4.90	0.46±0.05
171745-1615	16	32	32.40	28.50	1.10	5.50	0.46±0.05
171745-1617	16	32	32.40	28.50	1.20	4.90	0.36±0.05
171745-1618	16	32	32.40	28.50	1.20	5.50	0.36±0.05



LEFT END  
WALL OPTION

<b>SEE SHEET 1</b> EC NO: UCP2017-0629 DRAWN: MLEE01 2016/09/01 CHKD: APPR: SHLENI 2016/10/06 REV:	QUALITY SYMBOLS	GENERAL TOLERANCES (UNLESS SPECIFIED)	DIMENSION STYLE	SCALE	DESIGN UNITS	THIRD ANGLE PROJECTION
	▽ = 0	mm INCH	MM ONLY	4:1	METRIC	
	▽ = 0	4 PLACES ± --- ± ---	DRAWN BY DATE	TITLE		
	▽ = 0	3 PLACES ± --- ± ---	BJANOWIAK 2012/12/06	IMPEL 2 PAIR BACKPLANE UNGUIDED ASSEMBLY SALES DRAWING		
	2 PLACES ± 0.13 ± ---	CHECKED BY DATE	molex			
	1 PLACE ± 0.25 ± ---	APPROVED BY DATE	DOCUMENT NO.			
	0 PLACE ± --- ± ---	JB INGHAM 2014/12/29	SD-171745-0001			
	ANGULAR ±1/2°	MATERIAL NO.	SHEET NO.			
	DRAFT WHERE APPLICABLE MUST REMAIN WITHIN DIMENSIONS	SEE CHART	3 OF 6			
A1		SIZE	THIS DRAWING CONTAINS INFORMATION THAT IS PROPRIETARY TO MOLEX INCORPORATED AND SHOULD NOT BE USED WITHOUT WRITTEN PERMISSION			

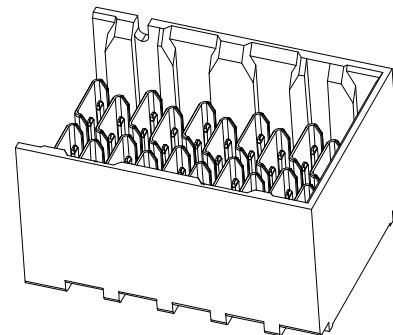
MATERIAL NUMBER	NUMBER OF COLUMNS	NUMBER OF DIFF PAIR	DIM "A"	DIM "B"	DIM "C"	DIM "P"	PTH $\phi$
171745-1824	8	16	18.60	13.30	1.10	4.90	0.46+0.05
171745-1825	8	16	18.60	13.30	1.10	5.50	0.46+0.05
171745-1827	8	16	18.60	13.30	1.20	4.90	0.36+0.05
171745-1828	8	16	18.60	13.30	1.20	5.50	0.36+0.05
171745-1124	10	20	22.40	17.10	1.10	4.90	0.46+0.05
171745-1125	10	20	22.40	17.10	1.10	5.50	0.46+0.05
171745-1127	10	20	22.40	17.10	1.20	4.90	0.36+0.05
171745-1128	10	20	22.40	17.10	1.20	5.50	0.36+0.05
171745-1224	12	24	26.20	20.90	1.10	4.90	0.46+0.05
171745-1225	12	24	26.20	20.90	1.10	5.50	0.46+0.05
171745-1227	12	24	26.20	20.90	1.20	4.90	0.36+0.05
171745-1228	12	24	26.20	20.90	1.20	5.50	0.36+0.05
171745-1624	16	32	33.80	28.50	1.10	4.90	0.46+0.05
171745-1625	16	32	33.80	28.50	1.10	5.50	0.46+0.05
171745-1627	16	32	33.80	28.50	1.20	4.90	0.36+0.05
171745-1628	16	32	33.80	28.50	1.20	5.50	0.36+0.05



DUAL END  
WALL OPTION

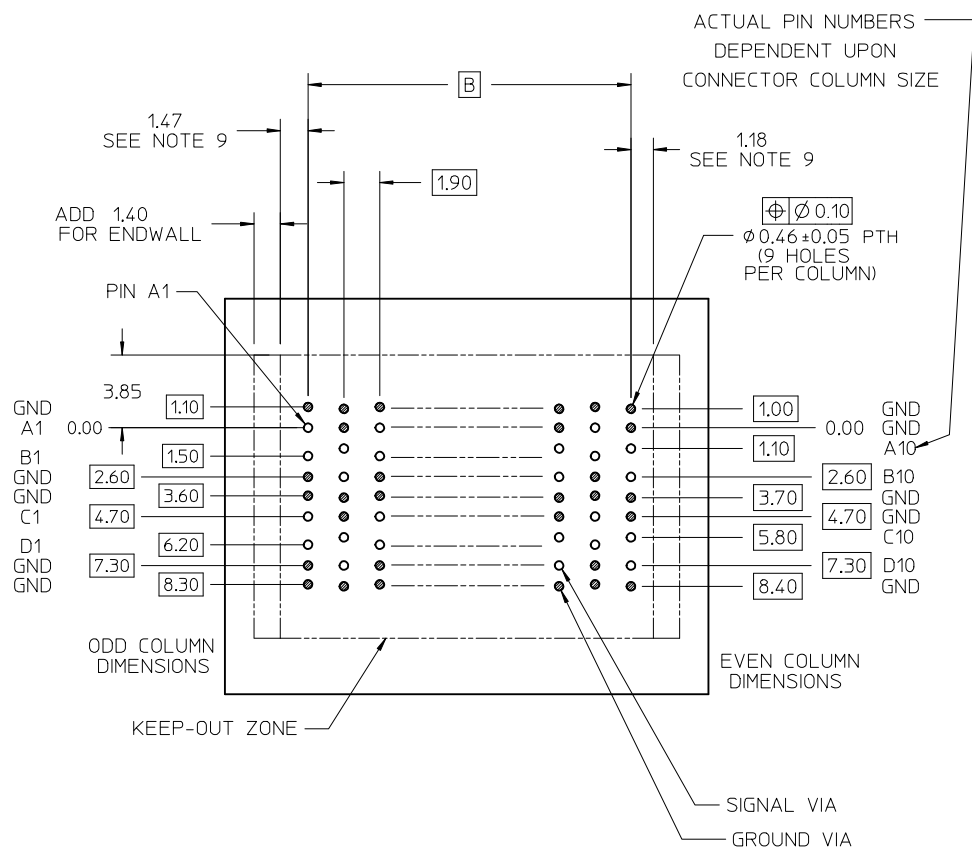
SEE SHEET 1 EC NO: UCP2017-0629 DRWNO: MLEE01 2016/09/01 CHKD: APPR: SHLENI 2016/10/06	QUALITY SYMBOLS = 0 = 0 = 0	GENERAL TOLERANCES (UNLESS SPECIFIED)		DIMENSION STYLE	SCALE	DESIGN UNITS	THIRD ANGLE PROJECTION																															
				MM ONLY	4:1	METRIC																																
				<table border="1"> <tr><th></th><th>mm</th><th>INCH</th></tr> <tr><td>4 PLACES</td><td><math>\pm</math>---</td><td><math>\pm</math>---</td></tr> <tr><td>3 PLACES</td><td><math>\pm</math>---</td><td><math>\pm</math>---</td></tr> <tr><td>2 PLACES</td><td><math>\pm</math>0.13</td><td><math>\pm</math>---</td></tr> <tr><td>1 PLACE</td><td><math>\pm</math>0.25</td><td><math>\pm</math>---</td></tr> <tr><td>0 PLACE</td><td><math>\pm</math>---</td><td><math>\pm</math>---</td></tr> </table>		mm	INCH	4 PLACES	$\pm$ ---	$\pm$ ---	3 PLACES	$\pm$ ---	$\pm$ ---	2 PLACES	$\pm$ 0.13	$\pm$ ---	1 PLACE	$\pm$ 0.25	$\pm$ ---	0 PLACE	$\pm$ ---	$\pm$ ---	<table border="1"> <tr><td>DRAWN BY</td><td>DATE</td></tr> <tr><td>BJANOWIAK</td><td>2012/12/06</td></tr> <tr><td>CHECKED BY</td><td>DATE</td></tr> <tr><td>CYLI AW</td><td></td></tr> <tr><td>APPROVED BY</td><td>DATE</td></tr> <tr><td>JB INGHAM</td><td>2014/12/29</td></tr> </table>	DRAWN BY	DATE	BJANOWIAK	2012/12/06	CHECKED BY	DATE	CYLI AW		APPROVED BY	DATE	JB INGHAM	2014/12/29	TITLE		IMPEL 2 PAIR BACKPLANE UNGUIDED ASSEMBLY SALES DRAWING 
			mm	INCH																																		
4 PLACES	$\pm$ ---	$\pm$ ---																																				
3 PLACES	$\pm$ ---	$\pm$ ---																																				
2 PLACES	$\pm$ 0.13	$\pm$ ---																																				
1 PLACE	$\pm$ 0.25	$\pm$ ---																																				
0 PLACE	$\pm$ ---	$\pm$ ---																																				
DRAWN BY	DATE																																					
BJANOWIAK	2012/12/06																																					
CHECKED BY	DATE																																					
CYLI AW																																						
APPROVED BY	DATE																																					
JB INGHAM	2014/12/29																																					
DRAFT WHERE APPLICABLE MUST REMAIN WITHIN DIMENSIONS		MATERIAL NO. <b>SEE CHART</b>	DOCUMENT NO. SD-171745-0001	SHEET NO. 4 OF 6																																		
THIS DRAWING CONTAINS INFORMATION THAT IS PROPRIETARY TO MOLEX INCORPORATED AND SHOULD NOT BE USED WITHOUT WRITTEN PERMISSION																																						

MATERIAL NUMBER	NUMBER OF COLUMNS	NUMBER OF DIFF PAIR	DIM "A"	DIM "B"	DIM "C"	DIM "P"	PTH $\phi$
171745-1834	8	16	17.20	13.30	1.10	4.90	0.46±0.05
171745-1835	8	16	17.20	13.30	1.10	5.50	0.46±0.05
171745-1837	8	16	17.20	13.30	1.20	4.90	0.36±0.05
171745-1838	8	16	17.20	13.30	1.20	5.50	0.36±0.05
171745-1134	10	20	21.00	17.10	1.10	4.90	0.46±0.05
171745-1135	10	20	21.00	17.10	1.10	5.50	0.46±0.05
171745-1137	10	20	21.00	17.10	1.20	4.90	0.36±0.05
171745-1138	10	20	21.00	17.10	1.20	5.50	0.36±0.05
171745-1234	12	24	24.80	20.90	1.10	4.90	0.46±0.05
171745-1235	12	24	24.80	20.90	1.10	5.50	0.46±0.05
171745-1237	12	24	24.80	20.90	1.20	4.90	0.36±0.05
171745-1238	12	24	24.80	20.90	1.20	5.50	0.36±0.05
171745-1634	16	32	32.40	28.50	1.10	4.90	0.46±0.05
171745-1635	16	32	32.40	28.50	1.10	5.50	0.46±0.05
171745-1637	16	32	32.40	28.50	1.20	4.90	0.36±0.05
171745-1638	16	32	32.40	28.50	1.20	5.50	0.36±0.05

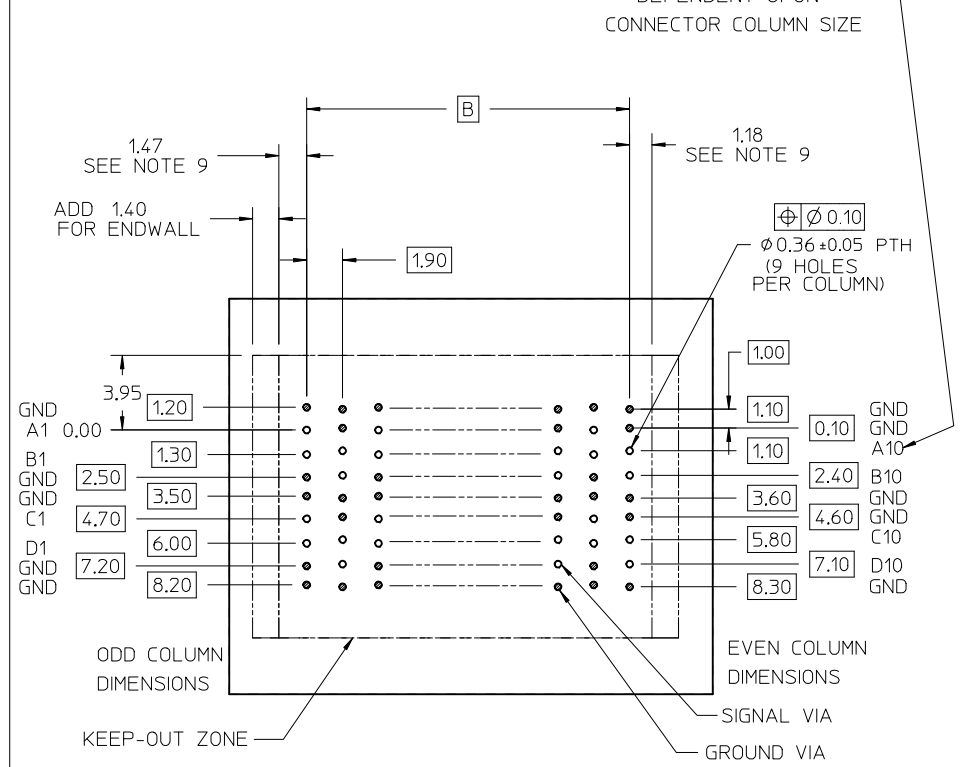


RIGHT END  
WALL OPTION

SEE SHEET 1 EC NO: UCP2017-0629 DRAWN: MLEE01 2016/09/01 CHKD: APPR: SILENI 2016/10/06 REV: A1	QUALITY SYMBOLS	GENERAL TOLERANCES (UNLESS SPECIFIED)	DIMENSION STYLE <b>MM ONLY</b>	SCALE <b>4:1</b>	DESIGN UNITS <b>METRIC</b>	THIRD ANGLE PROJECTION
	▽ = 0	mm INCH	DRAWN BY DATE BJANOWIAK 2012/12/06	TITLE <b>IMPEL 2 PAIR BACKPLANE UNGUIDED ASSEMBLY SALES DRAWING</b>		
	▽ = 0	4 PLACES ± --- ± ---	CHECKED BY DATE CYLIAW	<b>molex</b>		
	▽ = 0	3 PLACES ± --- ± ---	APPROVED BY DATE JB INGHAM 2014/12/29			
	2 PLACES ± 0.13 ± ---	MATERIAL NO.	DOCUMENT NO.	SHEET NO.		
	1 PLACE ± 0.25 ± ---	<b>SEE CHART</b>	<b>SD-171745-0001</b>	<b>5 OF 6</b>		
	0 PLACE ± --- ± ---	ANGULAR ±1/2°	THIS DRAWING CONTAINS INFORMATION THAT IS PROPRIETARY TO MOLEX INCORPORATED AND SHOULD NOT BE USED WITHOUT WRITTEN PERMISSION			
		DRAFT WHERE APPLICABLE MUST REMAIN WITHIN DIMENSIONS				



BACKPLANE HOLE PATTERN FOR  $\varnothing 0.46$  PTH (CONNECTOR SIDE)



BACKPLANE HOLE PATTERN FOR  $\varnothing 0.36$  PTH (CONNECTOR SIDE)

SEE SHEET 1 EC NO: UCP2017-0629 DRWING: MLEE01 CHKD: APPR: SHLENI	QUALITY SYMBOLS ▽=0 ▽=0 ▽=0	GENERAL TOLERANCES (UNLESS SPECIFIED)		DIMENSION STYLE MM ONLY		SCALE 5:1	DESIGN UNITS METRIC	THIRD ANGLE PROJECTION		
		4 PLACES ±	mm	INCH	DRAWN BY BJANOWIAK	DATE 2012/12/06	TITLE IMPEL 2 PAIR BACKPLANE UNGUIDED ASSEMBLY SALES DRAWING			
		3 PLACES ±	mm	INCH	CHECKED BY CYLIAW	DATE				
		2 PLACES ±0.13	mm	INCH	APPROVED BY JB INGHAM	DATE 2014/12/29	DOCUMENT NO. SD-171745-0001			
1 PLACE ±0.25	mm	INCH	MATERIAL NO.		SHEET NO. 6 OF 6					
0 PLACE ±	mm	INCH	ANGULAR ±1/2°		THIS DRAWING CONTAINS INFORMATION THAT IS PROPRIETARY TO MOLEX INCORPORATED AND SHOULD NOT BE USED WITHOUT WRITTEN PERMISSION					
DRAFT WHERE APPLICABLE MUST REMAIN WITHIN DIMENSIONS		SIZE C								