

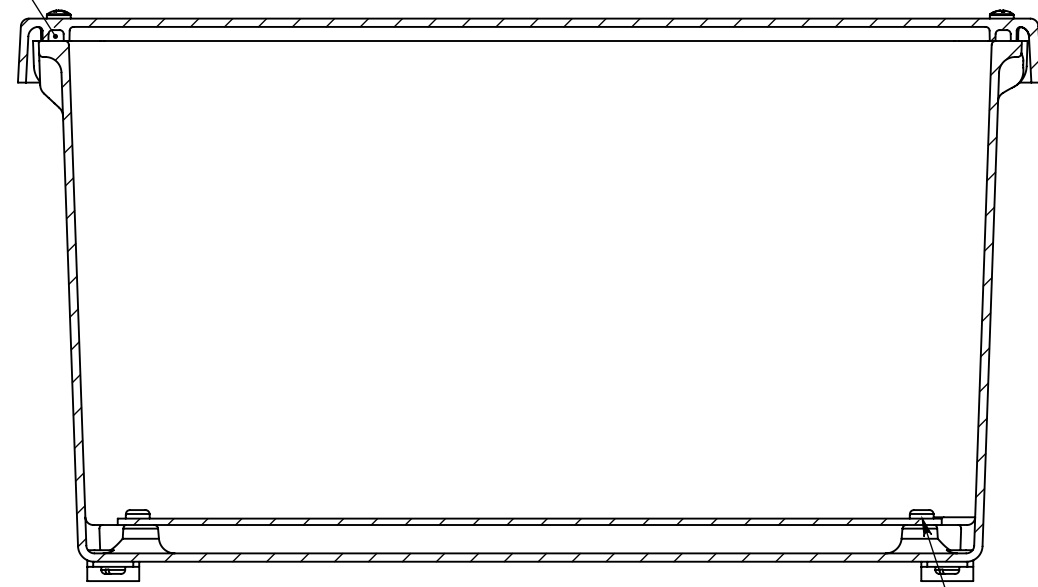
(4) EACH #10-32 BRASS INSERTS AND STAINLESS STEEL CAPTIVE COVER SCREWS WITH RETAINING O-RING

8.00 [203.20]
.22 [5.59]

2.25 [57.15]
TYP.
2.25 [57.15]
TYP.

3.31 [84.07]
3.50 [88.77]

CLOSED CELL NEOPRENE GASKET



(4) EACH #10-32 BRASS INSERTS AND PLATED CARBON STEEL SCREWS

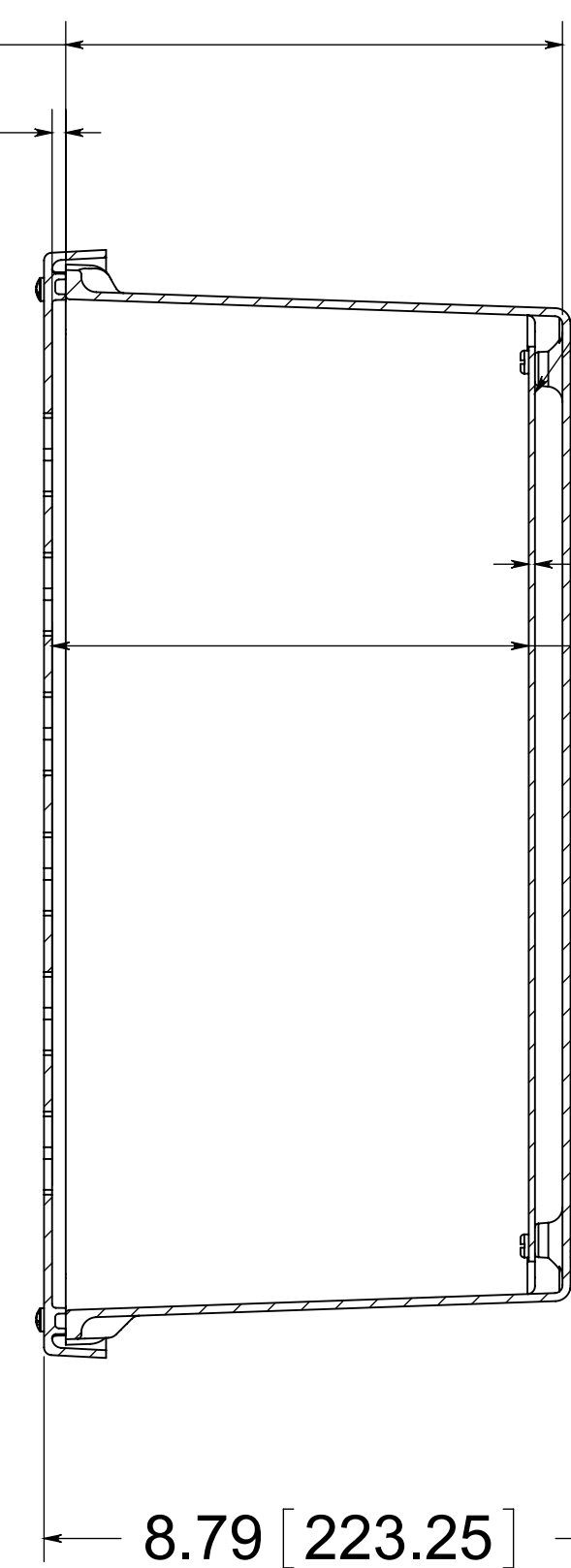
OPTIONAL BACK PANEL
0.100 [2.54] TH'K- ALUMINUM
0.075 [1.91] TH'K- WHITE STEEL & GALVANNEALED
0.125 [3.18] TH'K- FIBERGLASS

(4) STAINLESS STEEL MOUNTING FEET

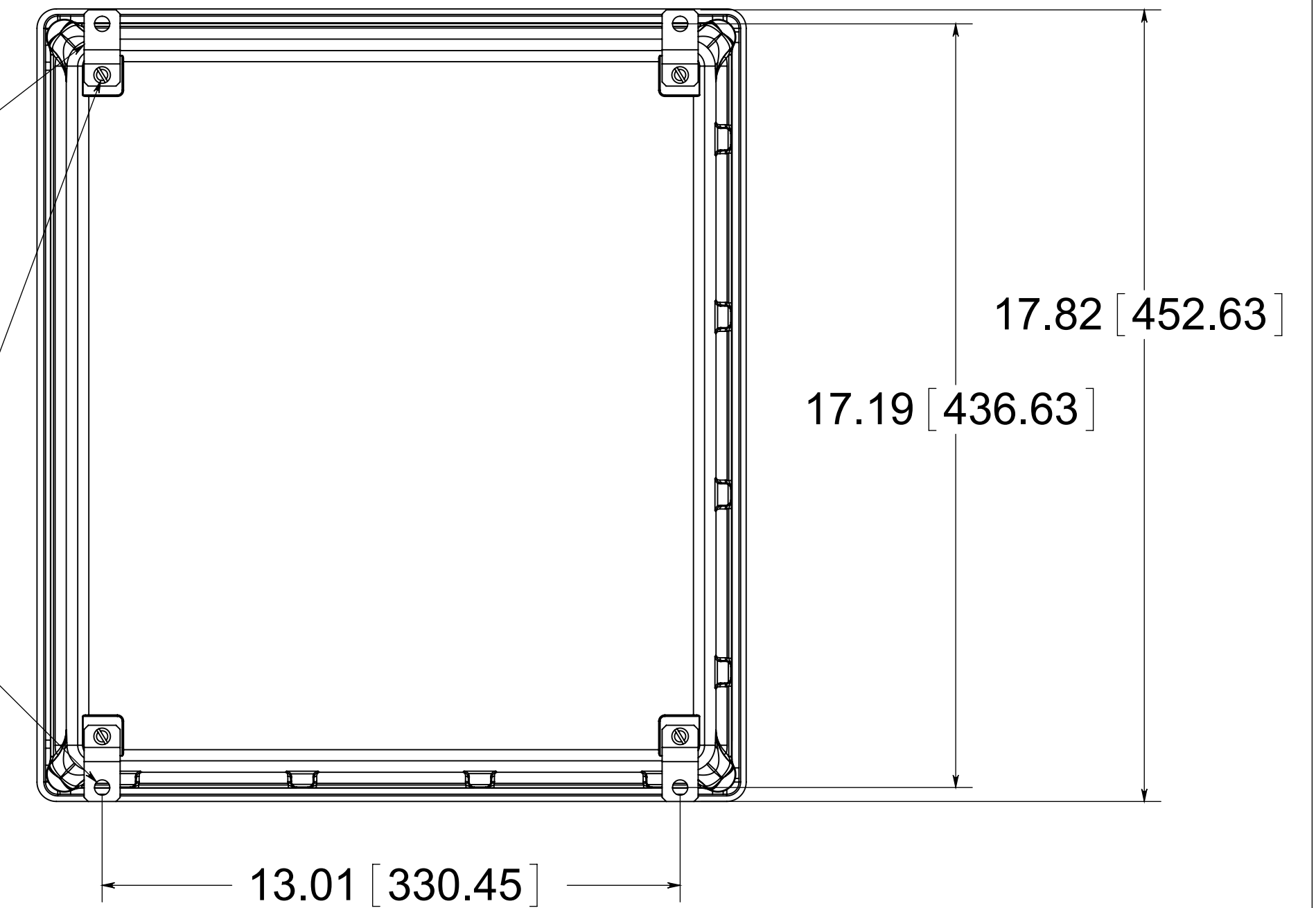
.10 [2.54]
7.68 [195.14]

(4) EACH #10-32 BRASS INSERTS, AND STAINLESS STEEL FEET SCREWS

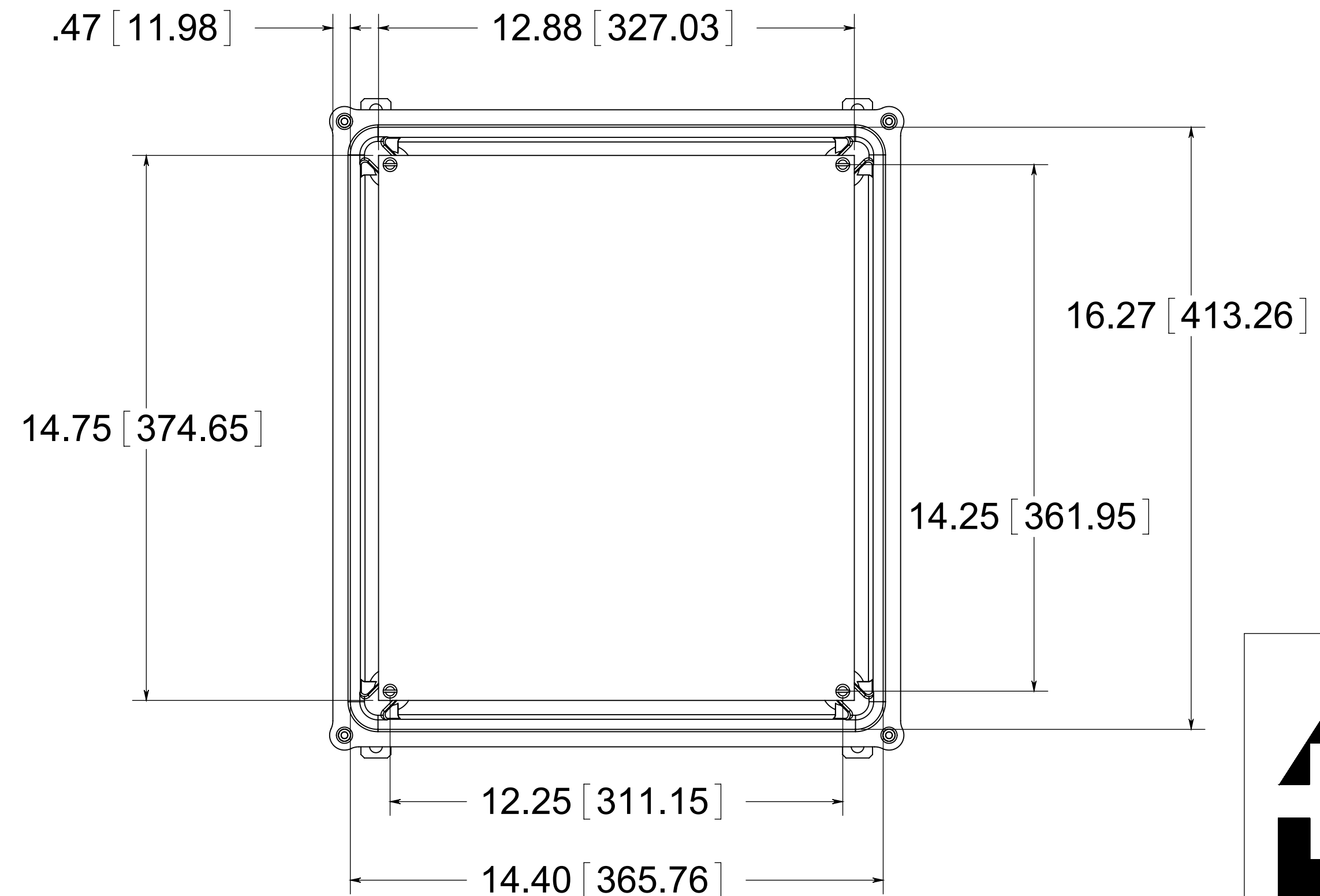
(4) ϕ .34 [8.74]



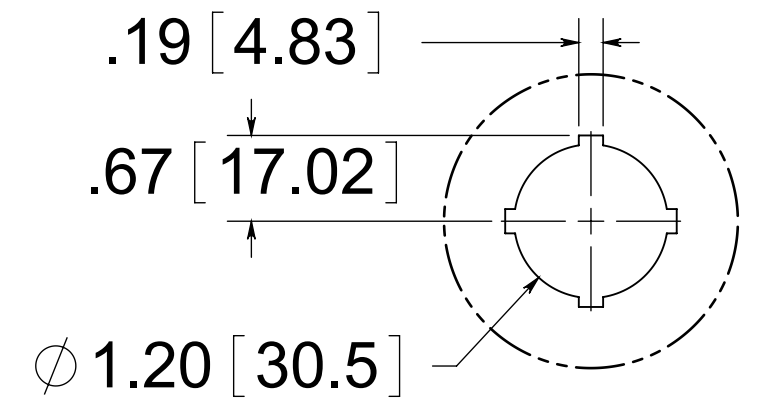
8.79 [223.25]



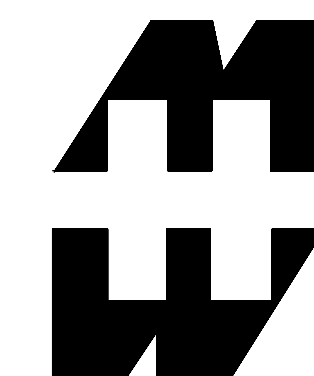
FRONT VIEW
WITH COVER REMOVED
AND BACK PANEL SHOWN



30.5mm HOLE
DETAIL



MATERIAL:
BOX- COMPRESSION MOLDED FIBERGLASS REINFORCED POLYESTER
COVER- COMPRESSION MOLDED FIBERGLASS REINFORCED POLYESTER
WINDOWS- POLYCARBONATE



PART No. PJ16148P30
for more information visit
www.hammfg.com
Data subject to change without notice
Drawing Not to Scale