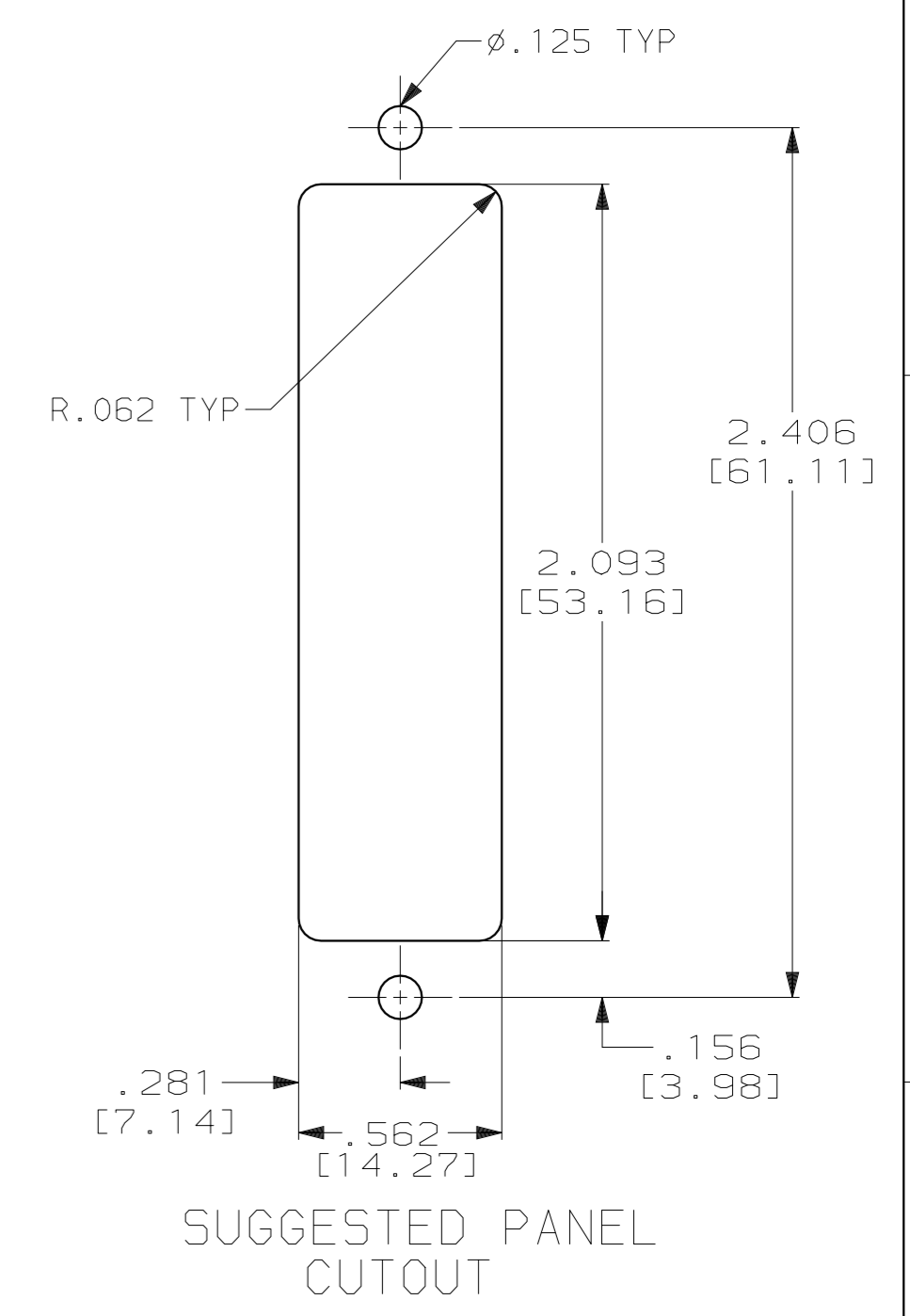
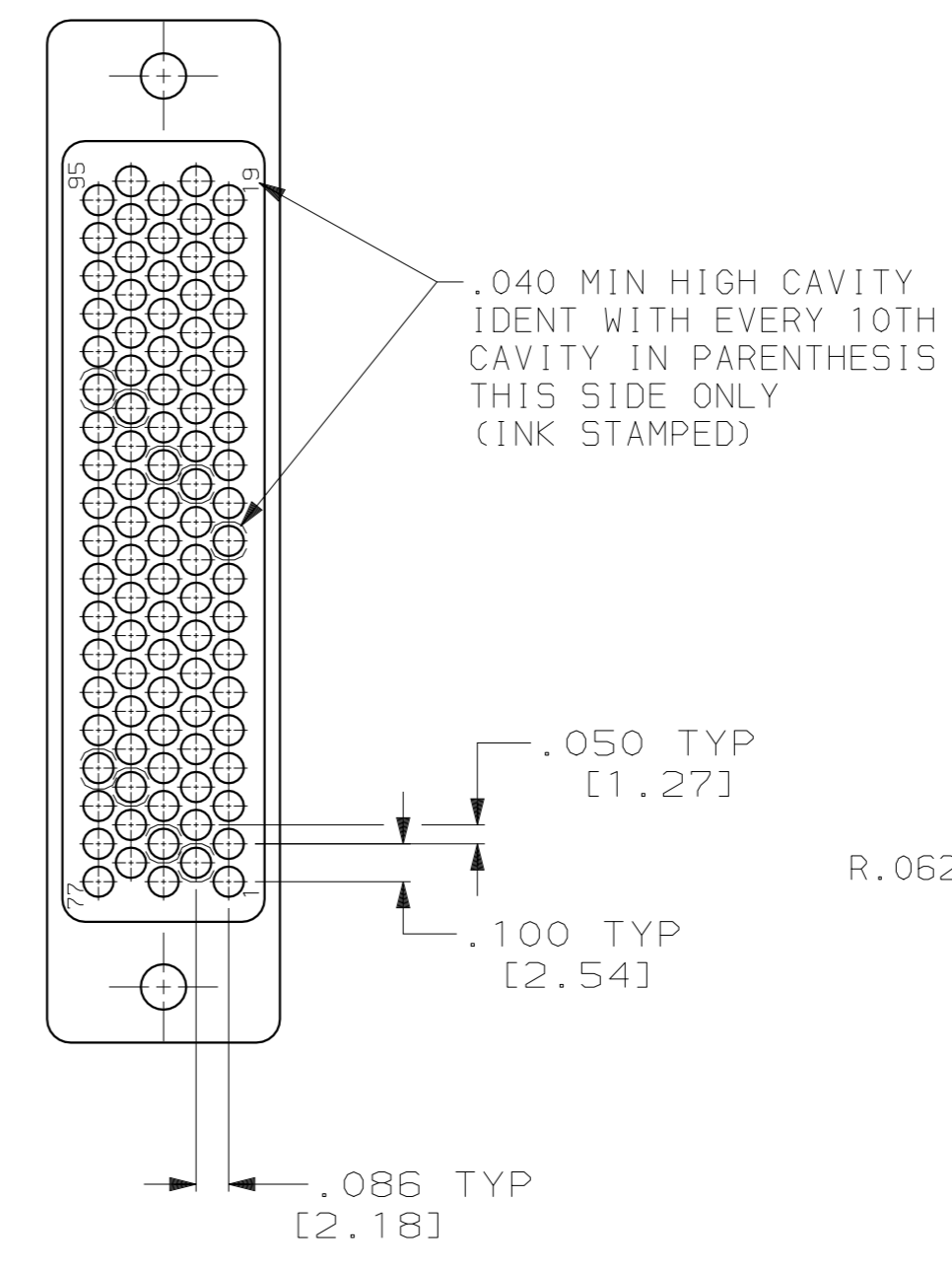
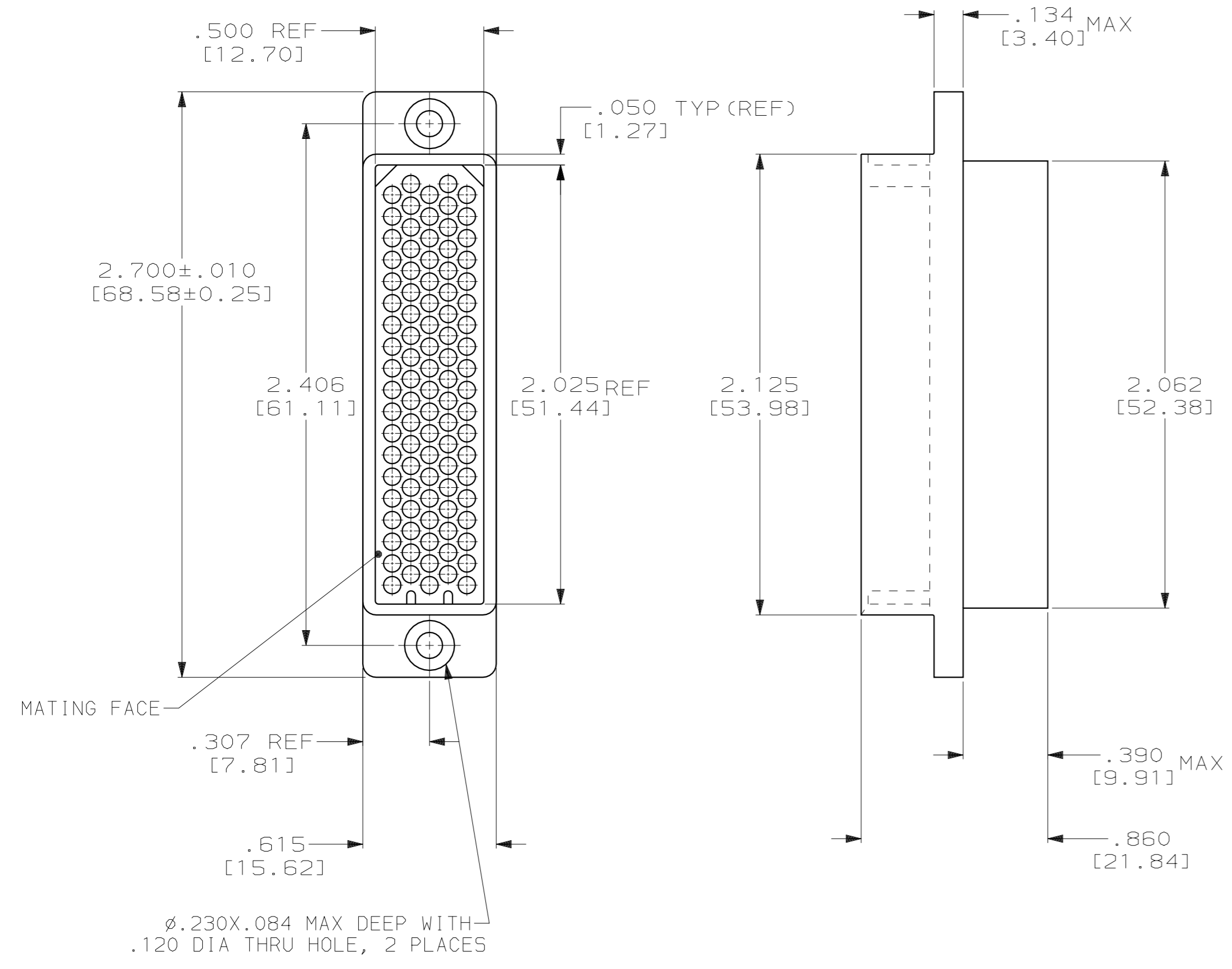


THIS DRAWING IS UNPUBLISHED. RELEASED FOR PUBLICATION  
 BY AMP INCORPORATED. ALL RIGHTS RESERVED.

LOC		DIST		REVISIONS			
P	LTR	DESCRIPTION		DATE	DWN	APVD	
0		DRAW PER DR, 6-129F		11-12-96	JB	DM	



1. WILL ACCEPT AMP TYPE XI PIN OR SOCKET CONTACTS.
2. DIALYL PHTHALATE (BLUE) PER MIL-M-14 TYPE SDG.

204027-2 AS SHOWN

THIS DRAWING IS A CONTROLLED DOCUMENT.		DWN	J. A. Baker	11-12-96
DIMENSIONS: IN (MM)		CHK	D. MUMMEY	11-12-96
TOLERANCES UNLESS OTHERWISE SPECIFIED:		APVD	D. MUMMEY	11-12-96
0 PLC ±-		PRODUCT SPEC	-	
1 PLC ±-		APPLICATION SPEC	-	
2 PLC ±-		WEIGHT	-	
3 PLC ±.005 [0.13]		SCALE	2:1	
4 PLC ±-		SHEET	1 OF 1	
ANGLES ±-		REV	0	
FINISH -		CUSTOMER DRAWING		

AMP Incorporated		Harrisburg, PA 17105-3608	
NAME: RECEPTACLE BLOCK, 95 POSITION ("HDR" SERIES)			
SIZE	CAGE CODE	DRAWING NO	RESTRICTED TO
A2	00779	C-204027	-