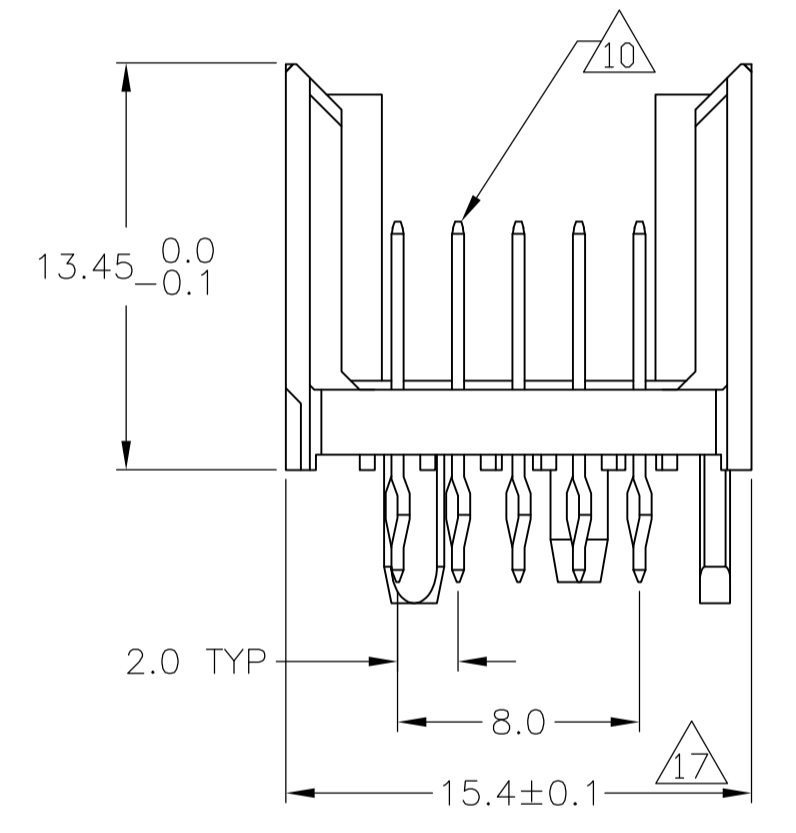
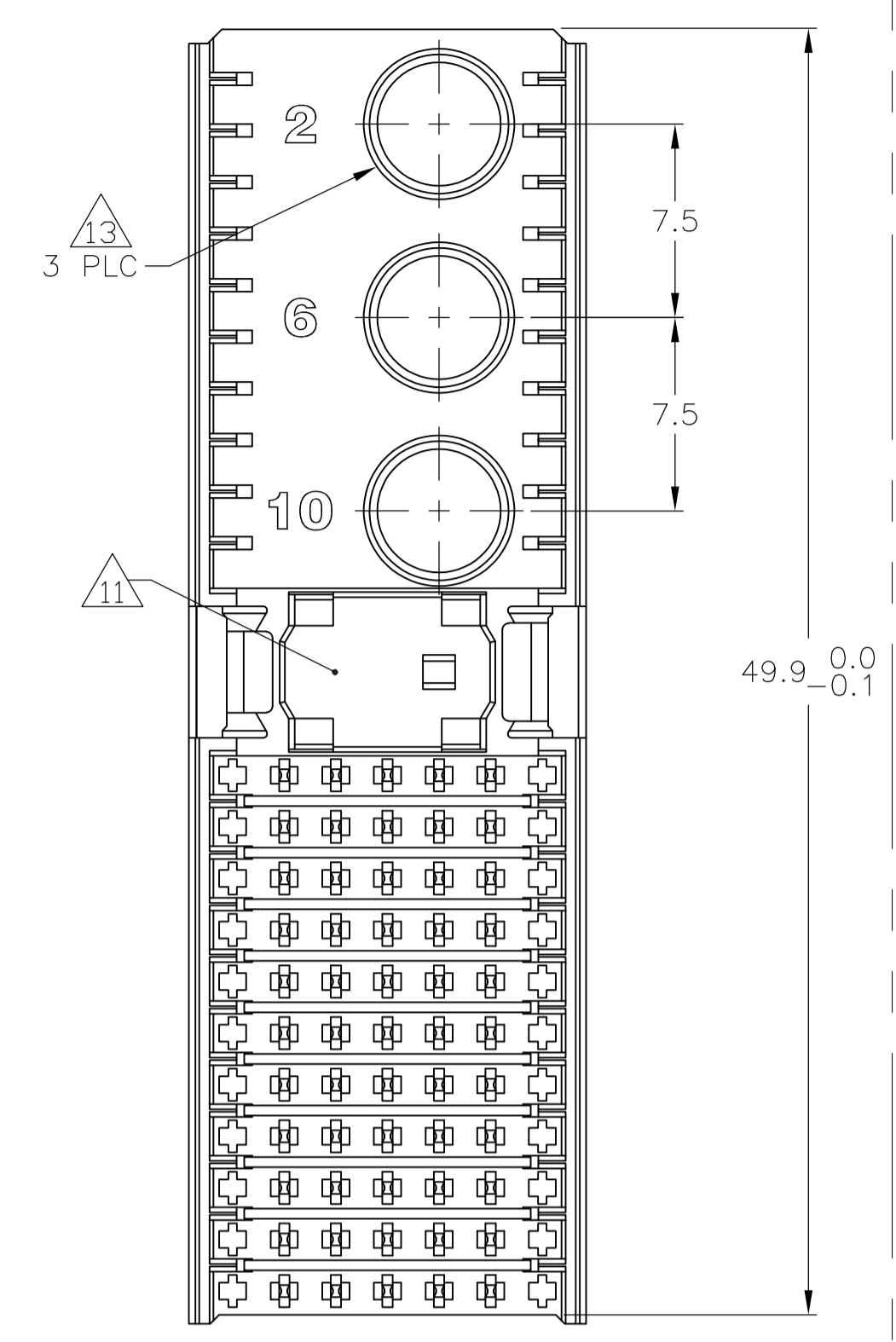
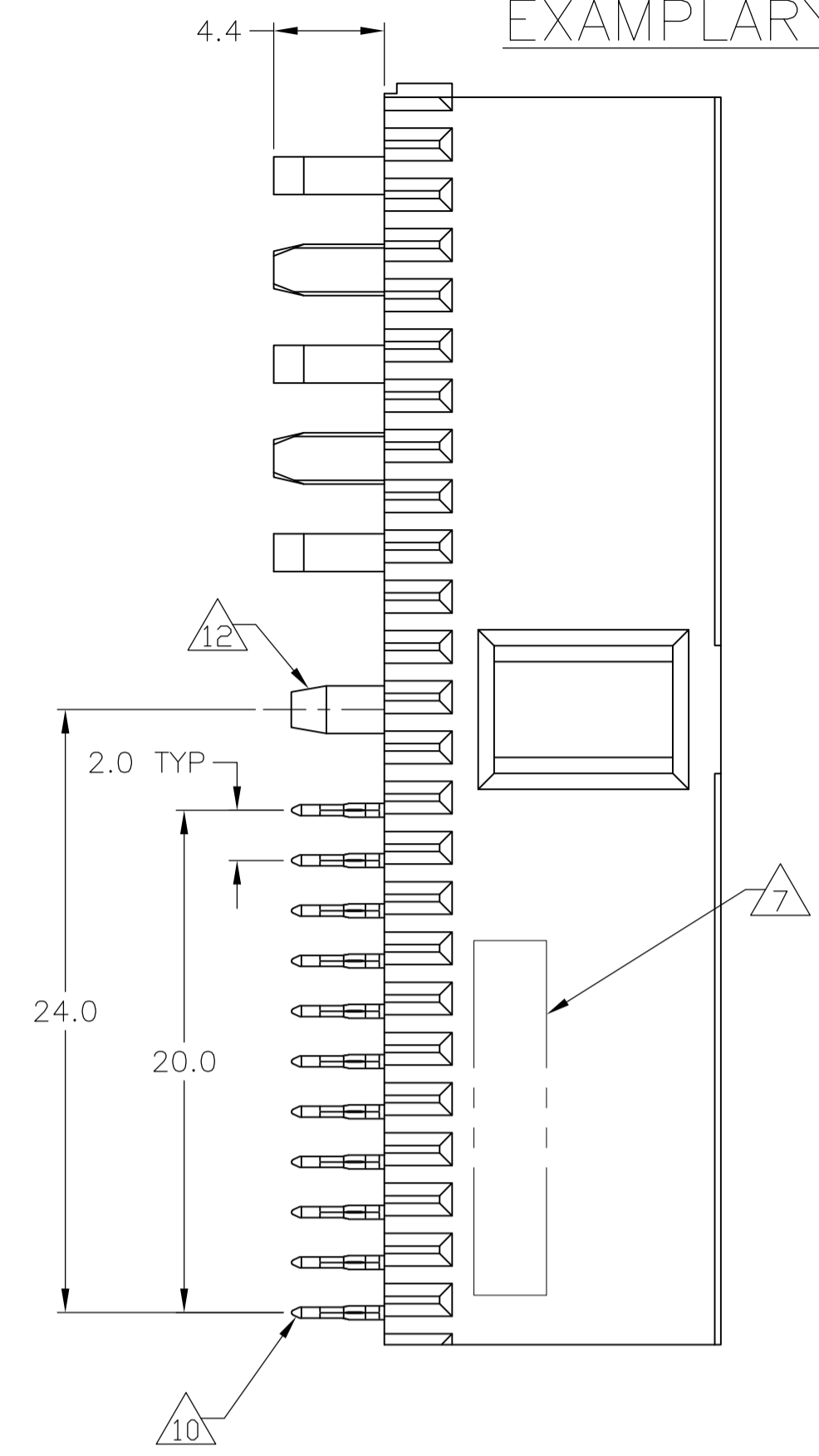
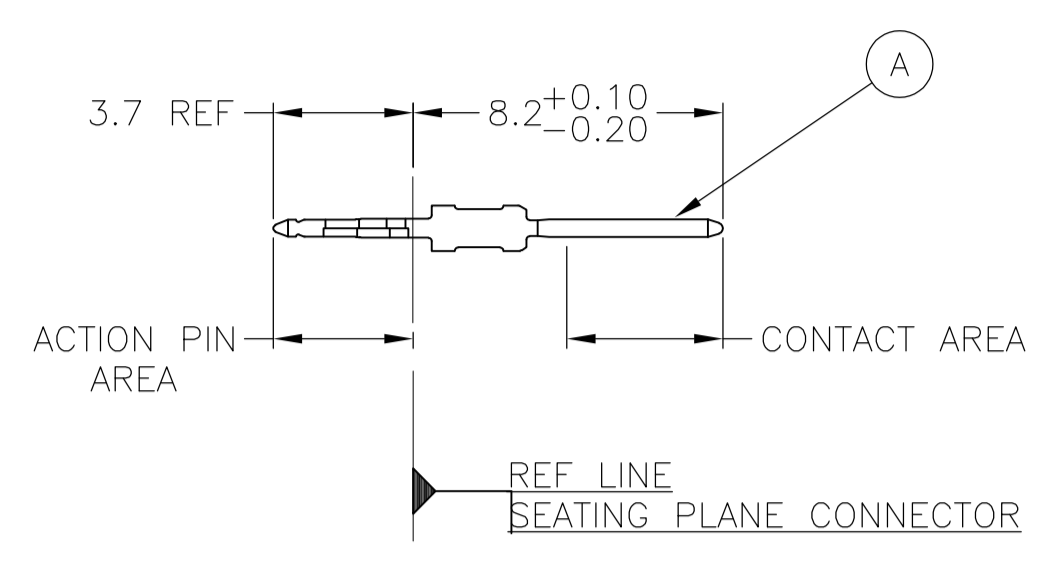


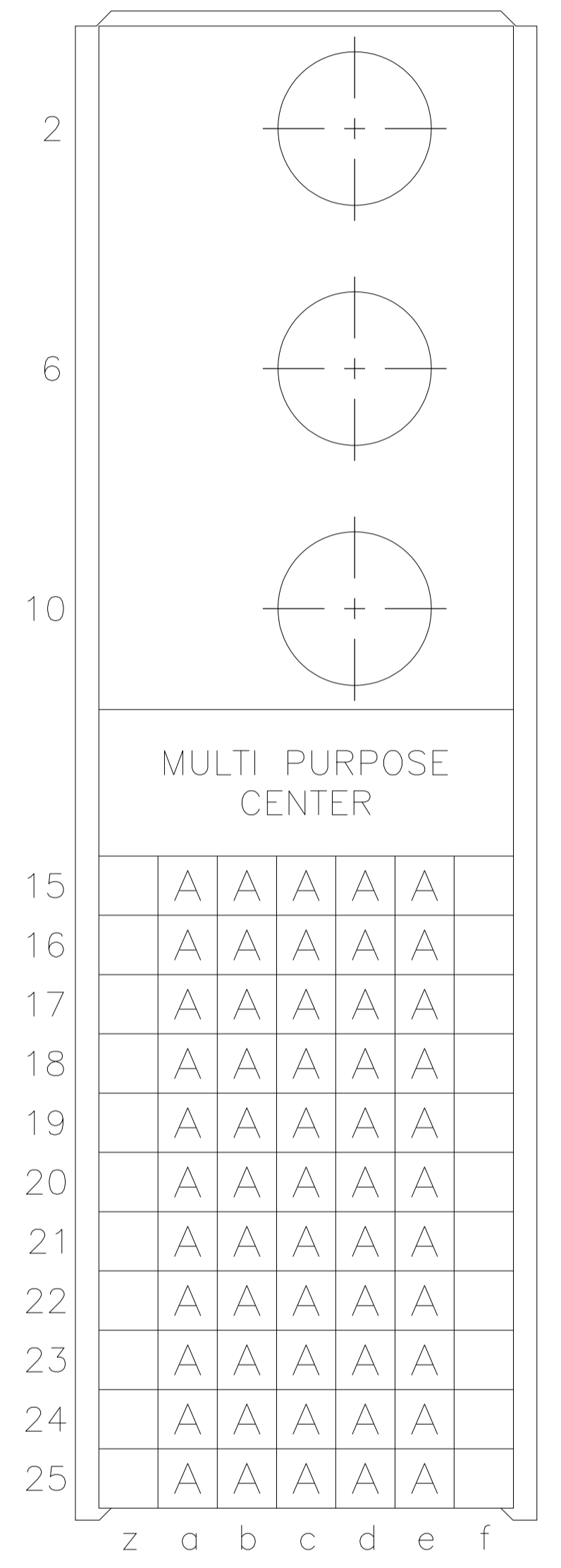
CONNECTOR ASSEMBLY EXAMPLARY LOADED



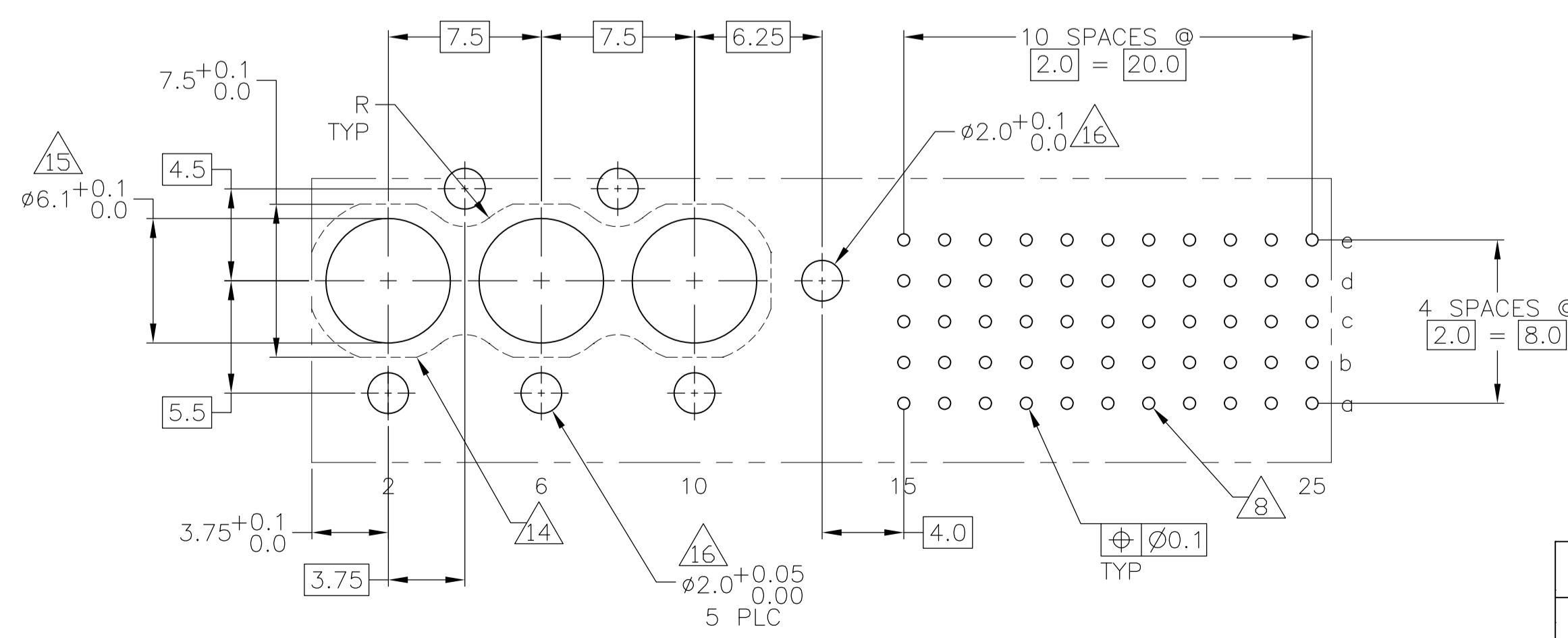
CONTACT DIMENSIONS SCALE 5:1



CONTACT LAYOUT



RECOMMENDED PCB-HOLE LAYOUT COMPONENT SIDE SHOWN



PLATED THRU HOLES PARAMETERS REFERENCE APPLICATION SPECIFICATION

THIS DRAWING IS A CONTROLLED DOCUMENT.		DIN B CARBO 24JAN05		Tyco Electronics Corporation Harrisburg, Pa 17105-3608	
DIMENSIONS: mm		TOLERANCES UNLESS OTHERWISE SPECIFIED:		APPROVED: G. SKIPPER 24JAN05	
0-PLC ±		1-PLC ±0.2		NAME: MALE ASSEMBLY, Z-PACK 2mm HM, TYPE M	
1-PLC ±0.2		2-PLC ±0.02		PART NUMBER: 108-19082	
2-PLC ±0.005		3-PLC ±0.005		APPLICATION SPEC: 114-19029	
3-PLC ±0.005		4-PLC ±0.005		SIZE: A1	
4-PLC ±0.005		ANGLES: ±0.30°		CAGE CODE: 00779	
MATERIAL: 1		FINISH: SEE TABLE		DRAWING NO: 100749	
				RESTRICTED TO: -	
				CUSTOMER DRAWING	
				SCALE: 4:1	
				SHEET: 1 OF 2	
				REV: H	

	2	3	20	3-100749-0
	2	6	18	1-100749-9
19 OBSOLETE	2	5	18	100749-9
	2	4		100749-4
OBSOLETE	2	3		100749-1
	FINISH			PART NUMBER

LOC		DIST		REVISIONS			
P	LTR	DESCRIPTION	DATE	DN	APVD		
AD	00	SEE SHEET 1	-	-	-	-	-

- 1 MATERIAL:
CONTACT: PHOSPHOR BRONZE.
HOUSING: GLASS-FILLED POLYESTER.
- 2 GENERAL PLATING SPECIFICATION: UNDERPLATING
(ENTIRE CONTACT): 1.27µm MIN NICKEL AND ACTION
PIN: 0.5µm MIN TIN LEAD.
FOR PLATING OF MATING SURFACES SEE APPLICABLE
SPECIFICATION REFERENCE FOR EACH DASH NUMBER.
- 3 CONFORMS TO ALL TESTING ACCORDING TO IEC 61076-4-101
PERFORMANCE LEVEL 2.
- 4 CONFORMS TO ALL TESTING ACCORDING TO IEC 61076-4-101
PERFORMANCE LEVEL 1.
- 5 CONNECTOR TESTED AND QUALIFIED AGAINST TELCORDIA GR-1217-CORE QUALITY LEVEL 3,
CENTRAL OFFICE APPLICATIONS.
- 6 CONNECTOR TESTED AND QUALIFIED AGAINST TELCORDIA GR-1217-CORE QUALITY LEVEL 3,
UNCONTROLLED ENVIROMENT APPLICATIONS.
- 7 CONNECTOR MARKED WITH PART NUMBER AND DATE CODE.
ADDITIONAL CHARACTERS OR MARKINGS, AS WELL AS THE LOCATION
OF THE MARKINGS, MAY BE ADDED FOR TRACEABILITY BASED UPON
MANUFACTURERS DISCRETION.
- 8 PLATED-THROUGH HOLES AT 2x2mm SQUARE GRID
PATTERN DEFINED BY CONTACT LAYOUT.
- 9 FOR ACTUAL PIN LOADING SEE "CONTACT LAYOUT".
- 10 FOR ACTUAL PIN DIMENSIONS SEE "CONTACT DIMENSIONS".
- 11 AREA RESERVED FOR KEYING PART (BASIC P/N 100525).
- 12 POLARIZATION FEATURE.
- 13 CONTACT CAVITIES SUITABLE FOR ø4.8 HIGH CURRENT, HIGH FREQUENCY OR
FIBRE OPTIC CONTACTS AS PER DIN 41626 (SEE ALSO NOTE 14 AND 15).
- 14 PATERN FOR FIBRE OPTIC CONTACTS.
- 15 NOT PLATED THROUGH HOLES, TO BE REPLACED BY ø5.9^{+0.1}_{0.0} PLATED THOUGH
HOLES IF STRAIGHT SOLDER CONTACTS ARE APPLIED.
- 16 NOT PLATED THROUGH HOLES.
- 17 TO BE MEASURED AT BOTTOM OF SHROUD.
- 18 CONNECTOR LUBRICATED WITH TELCORDIA APPROVED LUBRICANT,
TECHNICAL REFERENCE: TR-NWT-001217 ISSUE 1, SEP 1992.
- 19 OBSOLETE PARTS: OBSOLETE CIS STREAMLINING PER D.RENAUD/D.SINISI
- 20 0.76µm MIN GOLD PLATING AT MATING SURFACES.

THIS DRAWING IS A CONTROLLED DOCUMENT.		DIN B CARBO	24JAN05	Tyco Electronics Corporation Harrisburg, Pa 17105-3608	
DIMENSIONS: mm		CHK G SKIPPER	24JAN05	NAME MALE ASSEMBLY, Z-PACK 2mm HM, TYPE M	
TOLERANCES UNLESS OTHERWISE SPECIFIED: 0-PLG ± 1-PLG ±0.2 2-PLG ±0.02 3-PLG ±0.005 4-PLG ± ANGLES ±0.30°		APVD G SKIPPER	24JAN05	PRODUCT SPEC 108-19082	
MATERIAL SEE SHEET 1		FINISH SEE SHEET 1		APPLICATION SPEC 114-19029	RESTRICTED TO
WEIGHT -		SIZE A1	CAGE CODE 00779	DRAWING NO 100749	REV H
CUSTOMER DRAWING			SCALE 4:1	SHEET 2 OF 2	REV H