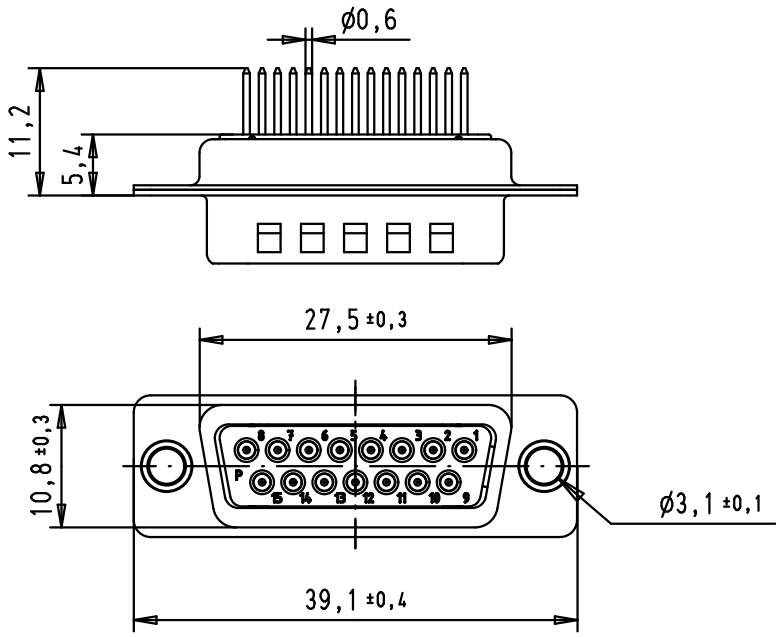


SPECIFICATION: C Filter

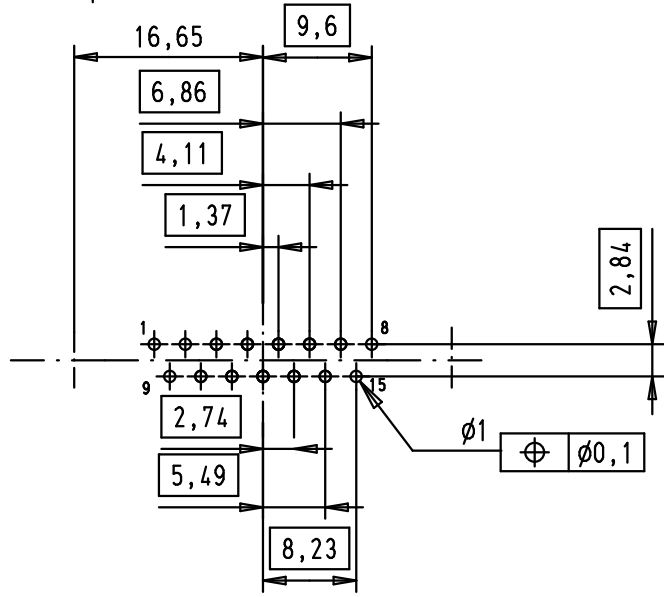
Performance level	PL2
Capacitance	1000pf±20%
Working Voltage	100v
Current Rating	7.5A
Insulation Resistance	>1GΩ

Minimum insertion loss

FREQUENCY (MHz)	ATTENUATION (dB)
5	1dB
10	3dB
50	12dB
100	20dB
500	34dB
1000	30dB



PCB Layout Component side



				Dat.	Name	
			Detail.	8-JUL-02	CV	
			Insp.	09/12/11	JB	All Dim. in mm Orig. Size DIN A 4
36283	09/12/11	SD	Stand.			
31570	07/11/03	AF				
31058	8-JUL-02	CV				
Mod.	Dat.	Name	HARTING EURL F-95972 Paris			

D-Sub, male, straight, 15 Poles, with turned solder pin and hole		Ma?Mstab/ Scale 1.5:1
TB 09642227230		Blatt/ Page 1 / 1
Sub.		

D
C
B
A