

Customer Information Sheet

DRAWING No.: M80-103XX98S

SHEET 2 OF 2

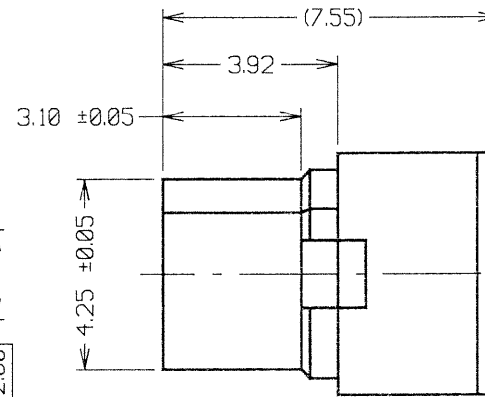
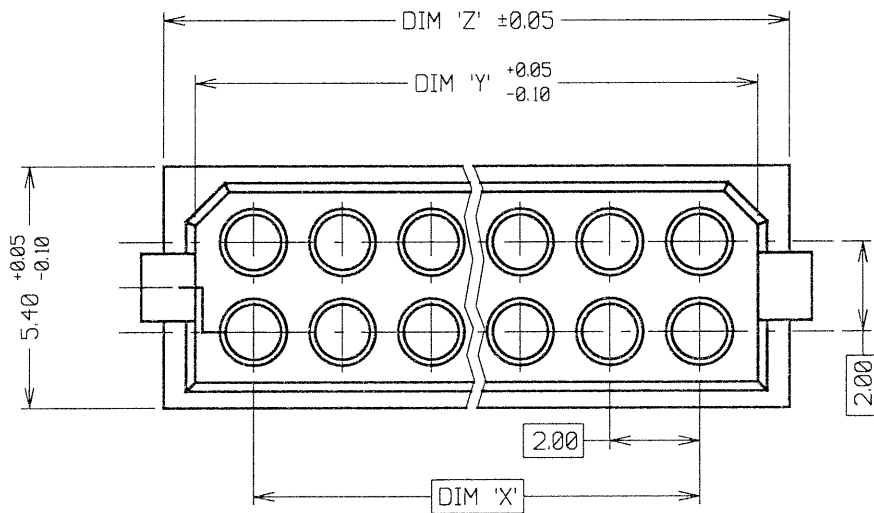
IF IN DOUBT - ASK

©

NOT TO SCALE

THIRD ANGLE PROJECTION

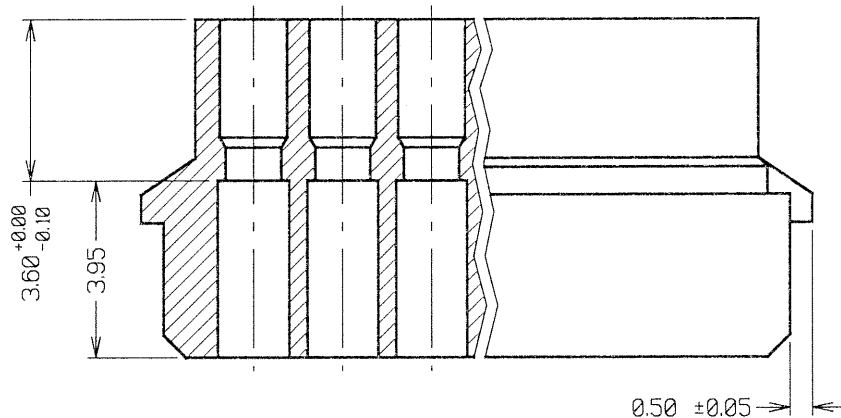
ALL DIMENSIONS IN mm



ORDER CODE:
M80-103XX98S

No. OF CONTACTS
04, 06, 08, 10, 12, 14
16, 18, 20, 26 & 34

NOTES:
1. SUITABLE FOR USE WITH
M80-01100XX & M80-01300XX
CRIMP SOCKETS.



SPECIFICATIONS:

MATERIAL = GLASS-FILLED POLYESTER UL94V-0, BLACK
ALL OTHER APPLICABLE SPECIFICATIONS ARE
SHOWN IN COMPONENT SPECIFICATION C001XX
(LATEST ISSUE), AND APPLY WHEN CRIMP SOCKETS
ARE ASSEMBLED.

PART No.	DIM 'X'	DIM 'Y'	DIM 'Z'
M80-1030498S	2.00	4.60	6.00
M80-1030698S	4.00	6.60	8.00
M80-1030898S	6.00	8.60	10.00
M80-1031098S	8.00	10.60	12.00
M80-1031298S	10.00	12.60	14.00
M80-1031498S	12.00	14.60	16.00
M80-1031698S	14.00	16.60	18.00
M80-1031898S	16.00	18.60	20.00
M80-1032098S	18.00	20.60	22.00
M80-1032698S	24.00	26.60	28.00
M80-1033498S	32.00	34.60	36.00

JMB	2	23.08.06	9394
NAME	ISS.	DATE	C/NOTE
APPROVED: <i>[Signature]</i>			
CHECKED: <i>[Signature]</i>			
DRAWN: W. J. BOURNE			
CUSTOMER REF.:			
ASSEMBLY DRG.:			

HARWIN

HARWIN USA TEL: 603 893 5376 FAX: 603 893 5396 mis@harwin.com	HARWIN Europe (UK) TEL: 023 9231 4545 FAX: 023 9231 4590 mis@harwin.co.uk	HARWIN Asia TEL: +65 6 779 4909 FAX: +65 6 779 3868 mis@harwin.com.sg
--	--	--

THIS DRAWING AND ANY INFORMATION OR DESCRIPTIVE MATTER SET OUT HEREON ARE CONFIDENTIAL AND COPYRIGHT PROPERTY OF THE HARWIN GROUP AND MUST NOT BE DISCLOSED, LOANED, COPIED OR USED FOR MANUFACTURING, TENDERING OR FOR ANY OTHER PURPOSE WITHOUT THEIR WRITTEN PERMISSION.

TOLERANCES
X. = ±1mm
X.X = ±0.25mm
X.XX = ±0.10mm
X.XXX = ±0.01mm
ANGLES = ±5°
UNLESS STATED

MATERIAL:
M80-103XX98

FINISH:

S/AREA: mm²

TITLE:
DATAMATE DIL CRIMP MOULDING

DRAWING NUMBER:
M80-103XX98S

SHT 2 OF 2