

Customer Information Sheet

DRAWING No.: M50-315XX42R

SHEET 3 OF 4

IF IN DOUBT - ASK

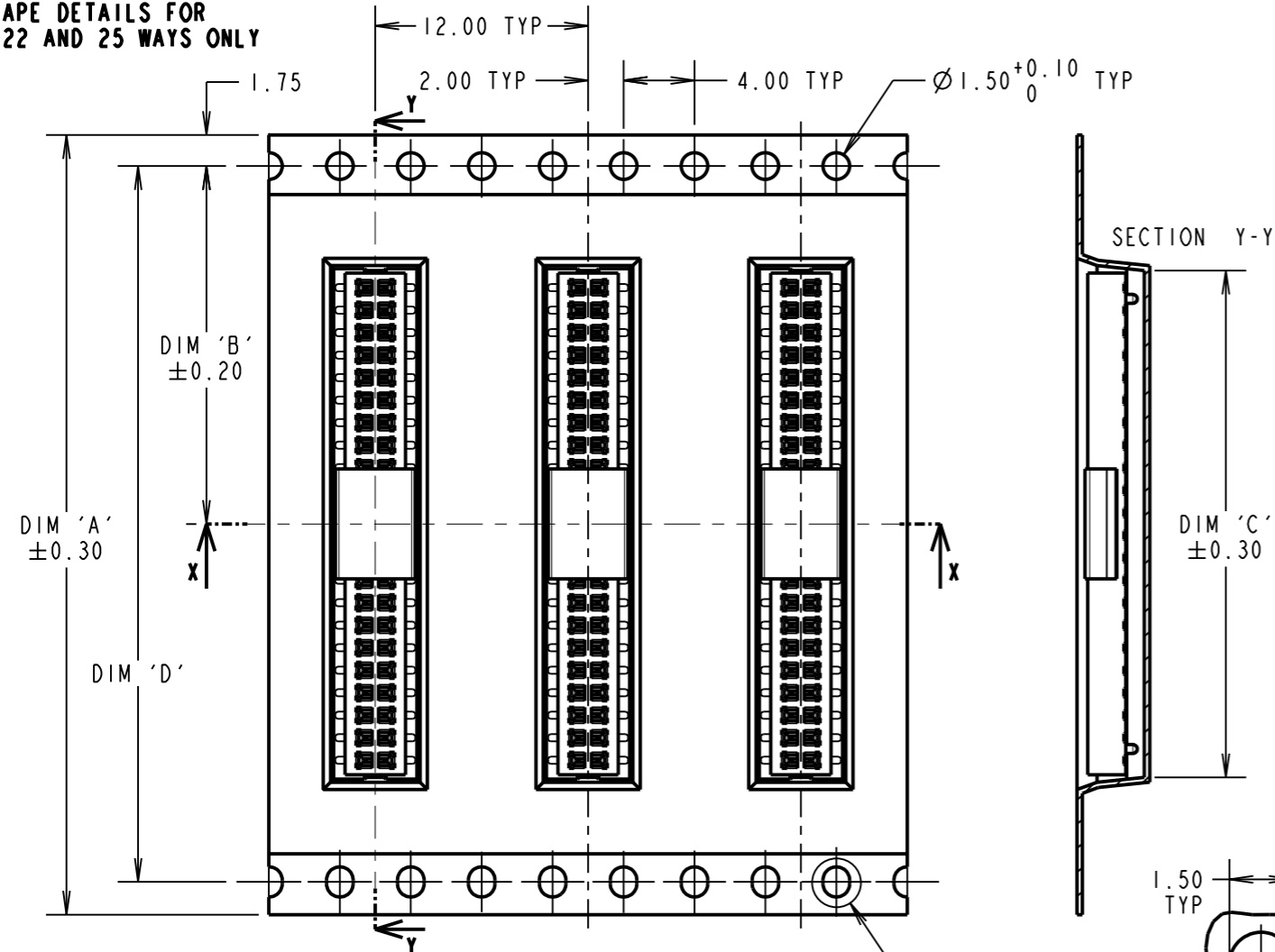
©

NOT TO SCALE

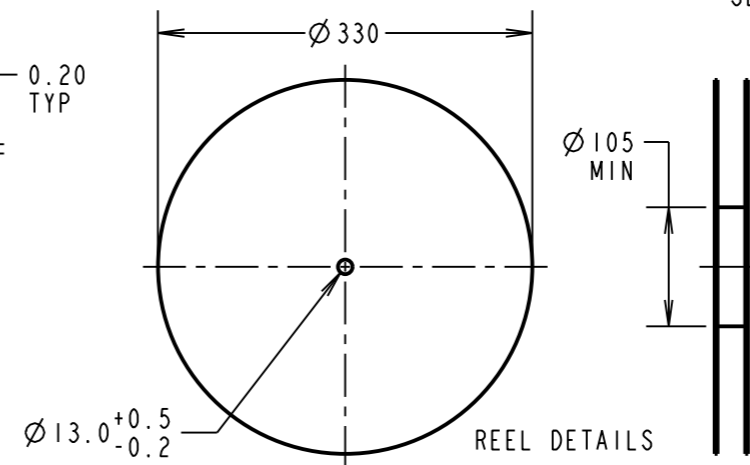
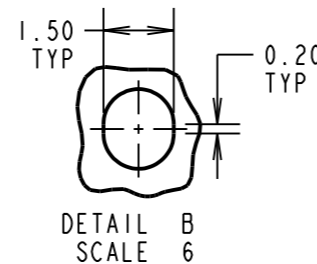
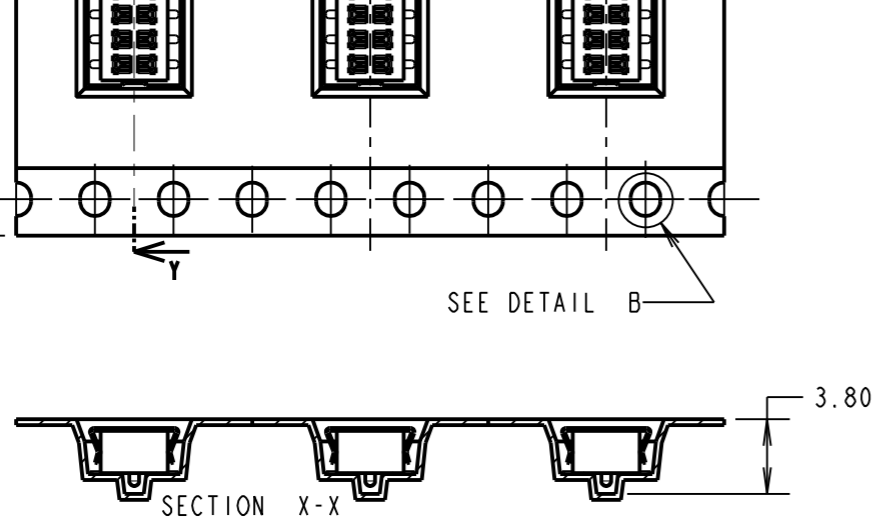
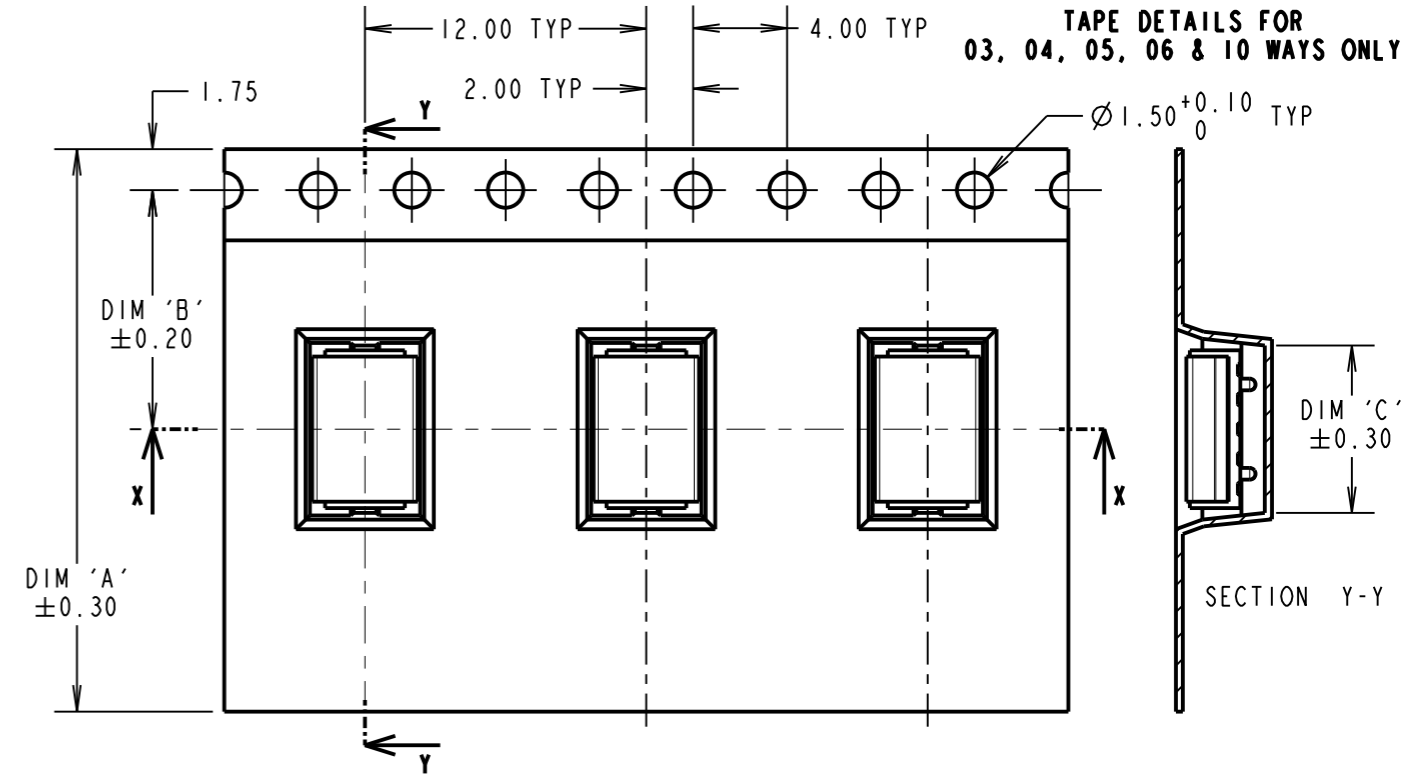
THIRD ANGLE PROJECTION

ALL DIMENSIONS IN mm

**TAPE DETAILS FOR
20, 22 AND 25 WAYS ONLY**



**TAPE DETAILS FOR
03, 04, 05, 06 & 10 WAYS ONLY**

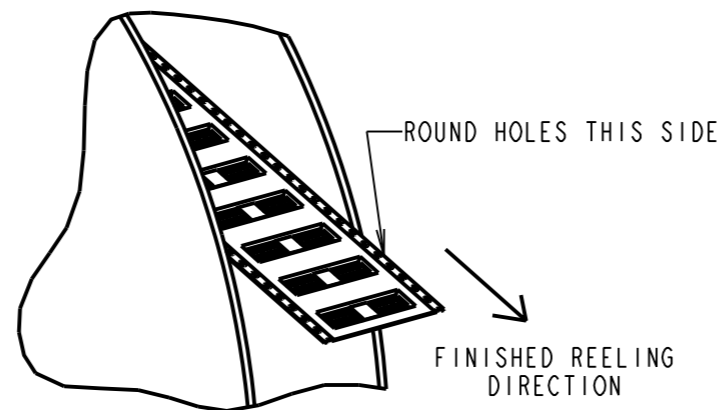


ORDER CODE: **M50-315XX42R**

No. OF CONTACTS PER ROW:
03, 04, 05, 06,
10, 20, 22, 25

FINISH:
42 = GOLD FLASH + 100% TIN OVER NICKEL

REELED PART No.	DIM 'A'	DIM 'B'	DIM 'C'	DIM 'D'	PACK SIZE
M50-3150342R	16.00	7.50	4.55	N/A	1400
M50-3150442R	16.00	7.50	5.78		1400
M50-3150542R	16.00	7.50	7.15		1400
M50-3150642R	24.00	10.20	8.30		1300
M50-3151042R	24.00	11.50	13.40	1400	
M50-3152042R	44.00	20.20	26.10	40.40	1400
M50-3152242R	44.00	20.20	28.60	40.40	1300
M50-3152542R	44.00	20.20	32.45	40.40	1300



- NOTES:
- PRODUCT IS TAPE AND REELED IN GENERAL ACCORDANCE WITH EIA-481 (ELECTRONIC INDUSTRIES ASSOCIATION).
 - CUMULATIVE TOLERANCE OVER 10 PITCHES = ±0.20mm
 - FOR CONNECTOR DETAILS AND SPECIFICATIONS SEE SHEET 4.

MSP	8	10.08.16	13112
NAME	ISS.	DATE	C/NOTE
APPROVED:		M.PERREN	
CHECKED:		S.BENNETT	
DRAWN:		R.ADDE	
CUSTOMER REF.:			
ASSEMBLY DRG.:			

HARWIN

www.harwin.com
technical@harwin.com

THIS DRAWING AND ANY INFORMATION OR DESCRIPTIVE MATTER SET OUT HEREON ARE CONFIDENTIAL AND COPYRIGHT PROPERTY OF THE HARWIN GROUP AND MUST NOT BE DISCLOSED, LOANED, COPIED OR USED FOR MANUFACTURING, TENDERING OR FOR ANY OTHER PURPOSE WITHOUT THEIR WRITTEN PERMISSION.

TOLERANCES
X. = ±1mm
X.X = ±0.50mm
X.XX = ±0.10mm
X.XXX = ±0.01mm
ANGLES = ±5°
UNLESS STATED

MATERIAL: SEE SHEET 4
FINISH: SEE ABOVE
S/AREA: mm²

TITLE: 1.27mm PITCH DIL SMT VERT LOW PROFILE SOCKET ASSY (TAPE & REEL)

DRAWING NUMBER: **M50-315XX42R** SHT 3 OF 4

Customer Information Sheet

DRAWING No.: M50-315XX42R

SHEET 4 OF 4

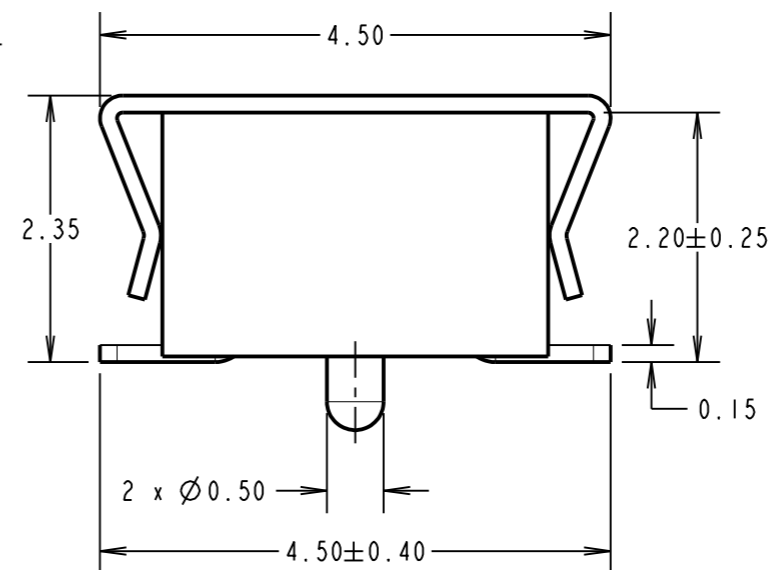
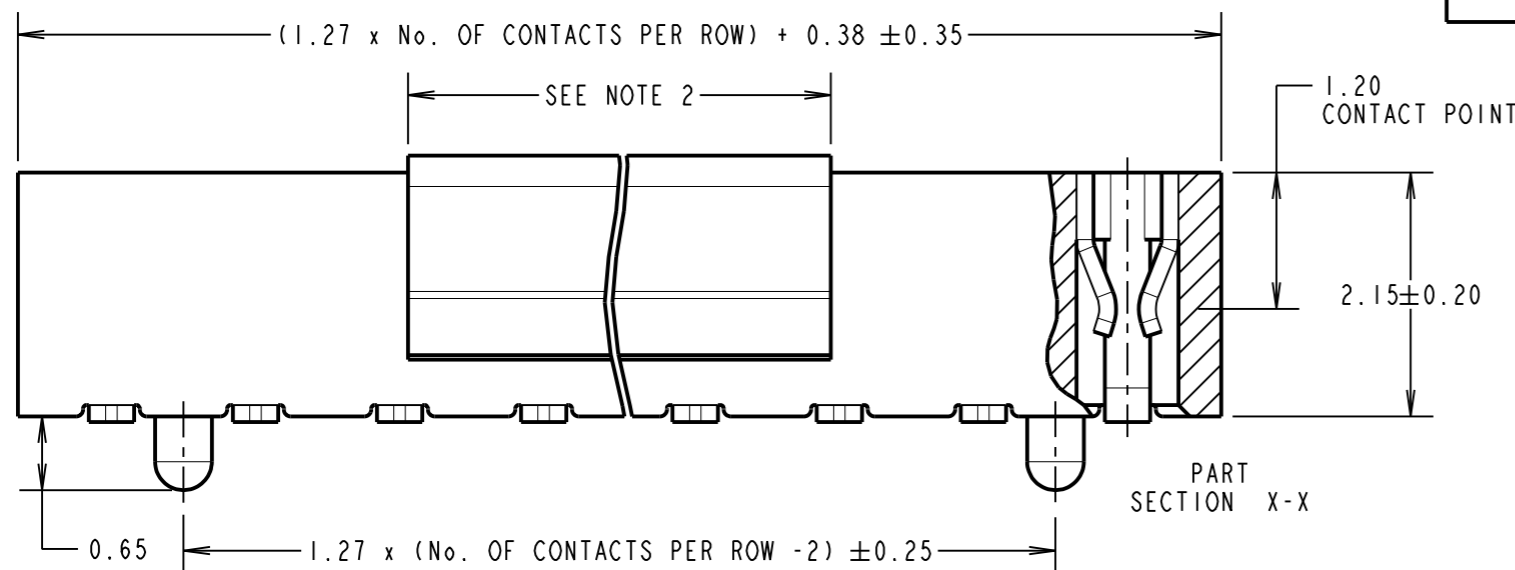
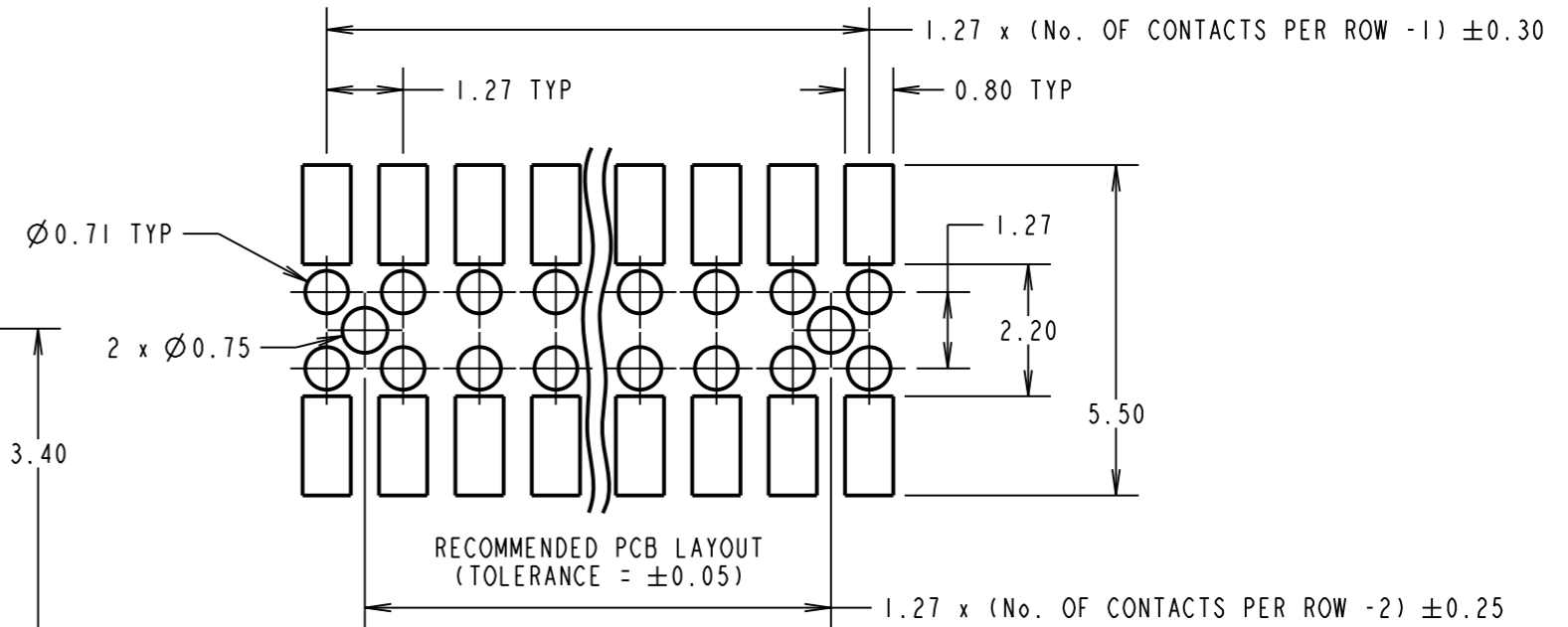
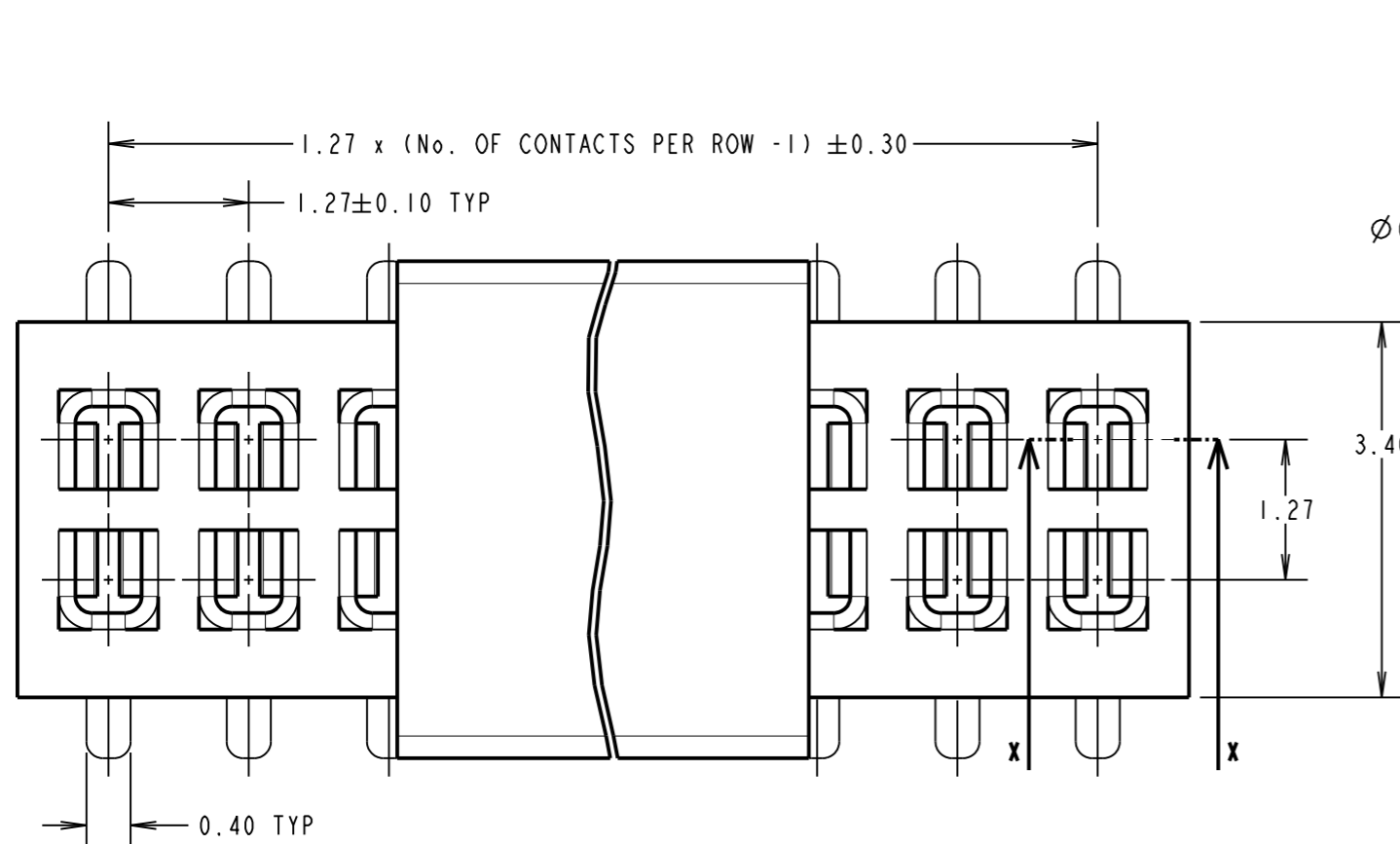
IF IN DOUBT - ASK

©

NOT TO SCALE

THIRD ANGLE PROJECTION

ALL DIMENSIONS IN mm



ORDER CODE:
M50-315XX42R

No. OF CONTACTS PER ROW:
03, 04, 05, 06,
10, 20, 22, 25

FINISH:
42 = GOLD FLASH + 100% TIN OVER NICKEL

SPECIFICATION:

MATERIAL:
MOULDING = NYLON-6T, UL94V-0, BLACK
CONTACTS = PHOSPHOR BRONZE

FINISH:
CONTACTS = 1.27μ NICKEL ALL OVER,
GOLD FLASH ON CONTACT AREA,
 2.54μ 100% TIN ON TAILS

ELECTRICAL:
CURRENT RATING = 1A
CONTACT RESISTANCE = $20m\Omega$ MAX
INSULATION RESISTANCE = $1000M\Omega$ MIN
DIELECTRIC WITHSTANDING = 500V AC FOR ONE MINUTE

MECHANICAL:
DURABILITY = 300 CYCLES MIN
INSERTION FORCE = 1.5N MAX PER CONTACT
WITHDRAWAL FORCE = 0.2N MIN PER CONTACT

ENVIRONMENTAL:
TEMPERATURE RANGE = -40°C TO $+105^{\circ}\text{C}$

PACKING:
REEL
FOR COMPLETE SPECIFICATION, SEE COMPONENT SPECIFICATION C029XX (LATEST ISSUE)

MSP	8	10.08.16	13112
NAME	ISS.	DATE	C/NOTE
APPROVED: M.PERREN			
CHECKED: S.BENNETT			
DRAWN: R.ADDE			
CUSTOMER REF.:			
ASSEMBLY DRG:			

- NOTE:
- ALL TOLERANCES ARE ± 0.15 UNLESS OTHERWISE STATED.
 - PICK AND PLACE CAP LENGTH = 4.20mm FOR 03 TO 05 CONTACTS PER ROW, 6.90mm FOR 06 TO 40 CONTACTS PER ROW.
 - FOR TAPE AND REEL DETAILS, SEE SHEET 3.

HARWIN

www.harwin.com
technical@harwin.com

THIS DRAWING AND ANY INFORMATION OR DESCRIPTIVE MATTER SET OUT HEREON ARE CONFIDENTIAL AND COPYRIGHT PROPERTY OF THE HARWIN GROUP AND MUST NOT BE DISCLOSED, LOANED, COPIED OR USED FOR MANUFACTURING, TENDERING OR FOR ANY OTHER PURPOSE WITHOUT THEIR WRITTEN PERMISSION.

TOLERANCES
X = $\pm 1\text{mm}$
X.X = $\pm 0.50\text{mm}$
X.XX = $\pm 0.10\text{mm}$
X.XXX = $\pm 0.01\text{mm}$
ANGLES = $\pm 5^{\circ}$
UNLESS STATED

MATERIAL:
SEE ABOVE

FINISH:
SEE ABOVE

S/AREA:
mm²

TITLE: 1.27mm PITCH DIL SMT VERT LOW PROFILE SOCKET ASSY (TAPE & REEL)

DRAWING NUMBER:
M50-315XX42R

SHT 4 OF 4