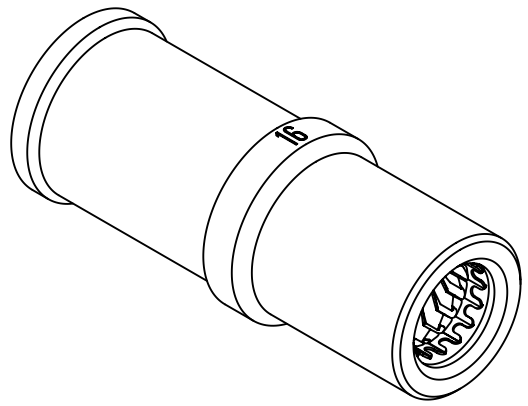



assembly notes see catalog  
 crimp zone acc. to DIN EN 46235; indicator 16  
 for stranded fine wire acc. to VDE 0295 class 5/IEC 60228 class 5  
 wire gauge:  $70\text{mm}^2$   
 stripping length: 22mm



	All rights reserved Department EL PD - DE	All Dimensions in mm Original Size DIN A4		Scale 2:1	Free size tol.	Ref.	
		Created by FINKEV	Inspected by SCHNIEDER	Standardisation SCHMIDTM	Date 2015-01-19	State Final Release	
HARTING Electric GmbH & Co. KG D-32339 Espelkamp		Title Han TC250 female contact $70\text{mm}^2$				Doc-Key / ECM-Nr. 100184722/UGD/002/A 500000083632	
		Type TB	Number 09 11 000 6229			Rev. A	Page 1/1