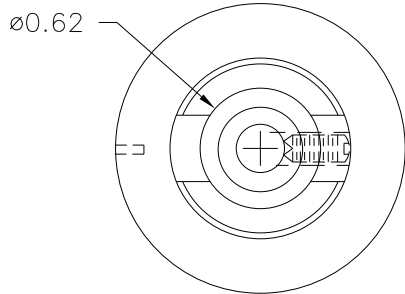
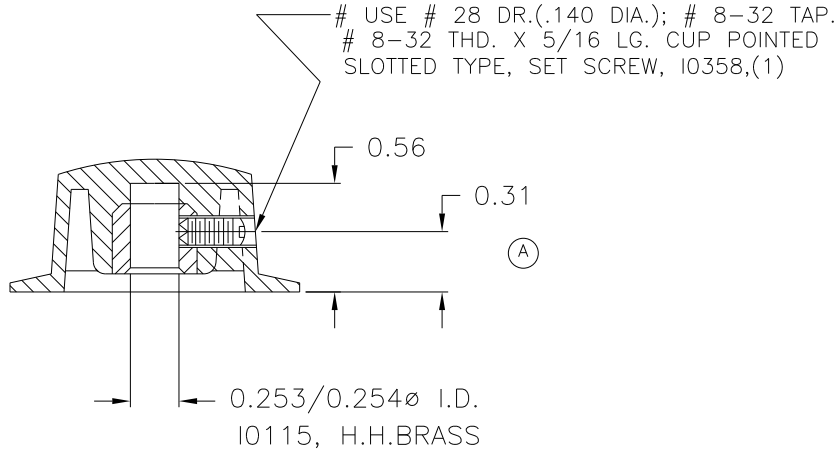
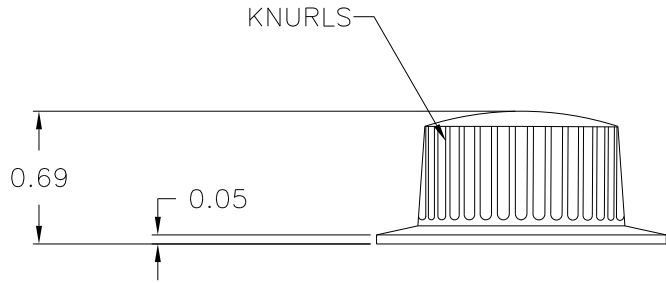
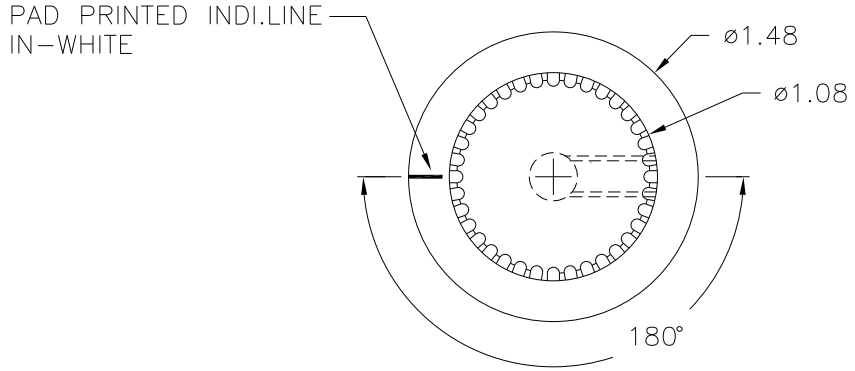


PART NAME: KNOB SCALE: 1:1 DATE: 9/12/97 DR. BY HD

THIS DRAWING IS THE PROPERTY OF DAVIES MOLDING COMPANY, IS SUBMITTED SOLELY AS A DESIGN OR ENGINEERING PROJECT. WE ACCEPT NO RESPONSIBILITY WHATSOEVER FOR THE PRACTICAL APPLICATION OF THE PIECES MADE TO THIS DESIGN.

DAVIES MOLDING COMPANY
CAROL STREAM, ILLINOIS 60188

P/N	1600BW
BASE PART	1600-02
SET SCREW	I0358



MATERIAL: G.P. PLENCO PHENOLIC (B11)
COLOR: BLACK

TOLERANCES: UNLESS OTHERWISE SPECIFIED	DO NOT SCALE DRAWING	A	WAS .312	EW	7/8/15
		-	UPDATED/HAD TOOLBOX	EV.	7/25/02
DECIMALS: X.XXX ± .005 X.XX ± .015	MM: X.XX ± 0.15MM X.X ± 0.4MM	-	CAD/REDRAWN	HD	9/12/97
FRACTIONS ± 1/64	ANG. ± 1°	CHANGES			