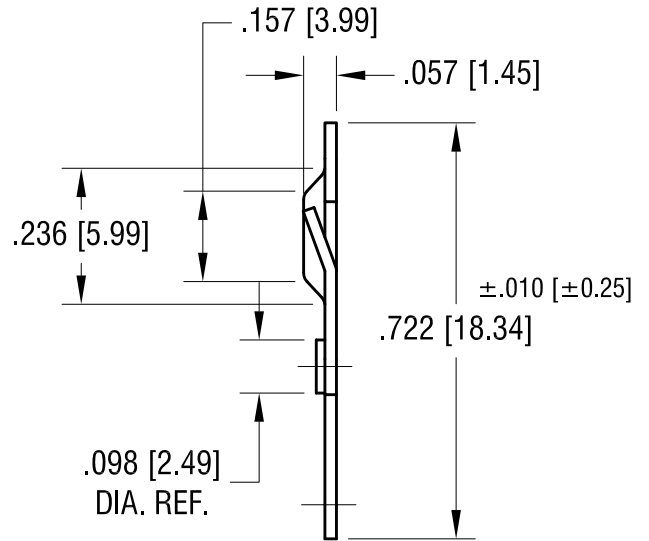
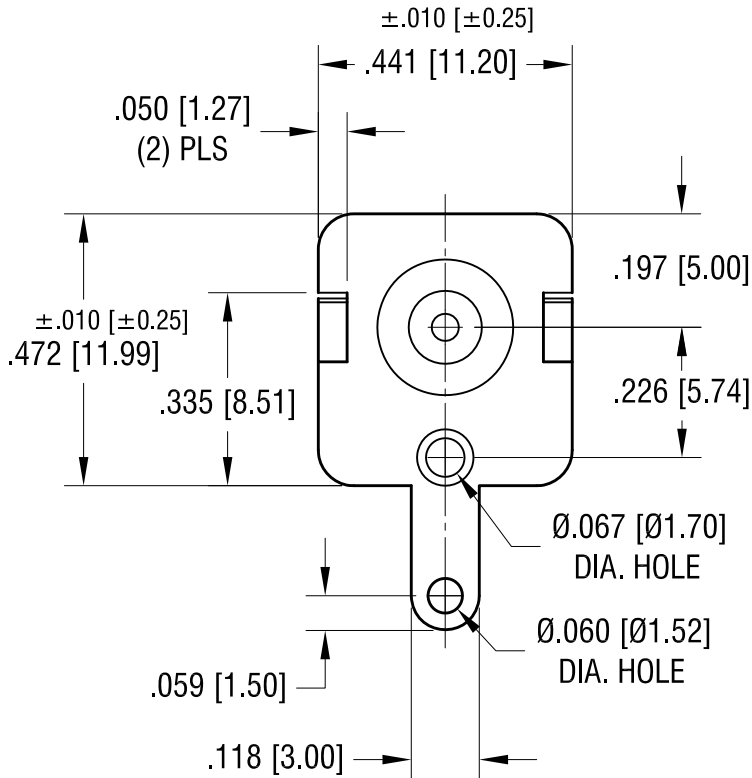


THIS DOCUMENT IS THE PROPERTY OF
KEYSTONE ELECTRONICS CORP. AND
SHALL NOT BE REPRODUCED, DISTRIBUTED
OR USED AS A BASIS FOR MANUFACTURE
WITHOUT PRIOR WRITTEN PERMISSION
FROM KEYSTONE ELECTRONICS CORP.

ACTUAL SIZE



KEYSTONE ELECTRONICS CORP.

www.keyelco.com • ASTORIA, N.Y. 11105-2017 • Tel (718) 956-8900

PART NAME

'AA' MALE BATTERY CONTACT

MATERIAL

.020 [0.50] TH'K STEEL

FINISH

NICKEL PLATE

DRN BY

NT

DATE

3.27.09

APP'D

LN

SCALE

3X

1.30.12 CHANGE AS PER ECN 12-007

A

TOLERANCES

INCH [MM]
DECIMAL ± .005 [± 0.13]

CODE

DWG NO.

ANGULAR ± 1°
UNLESS OTHERWISE SPECIFIED

C

5219

DATE

DESCRIPTION

REV.