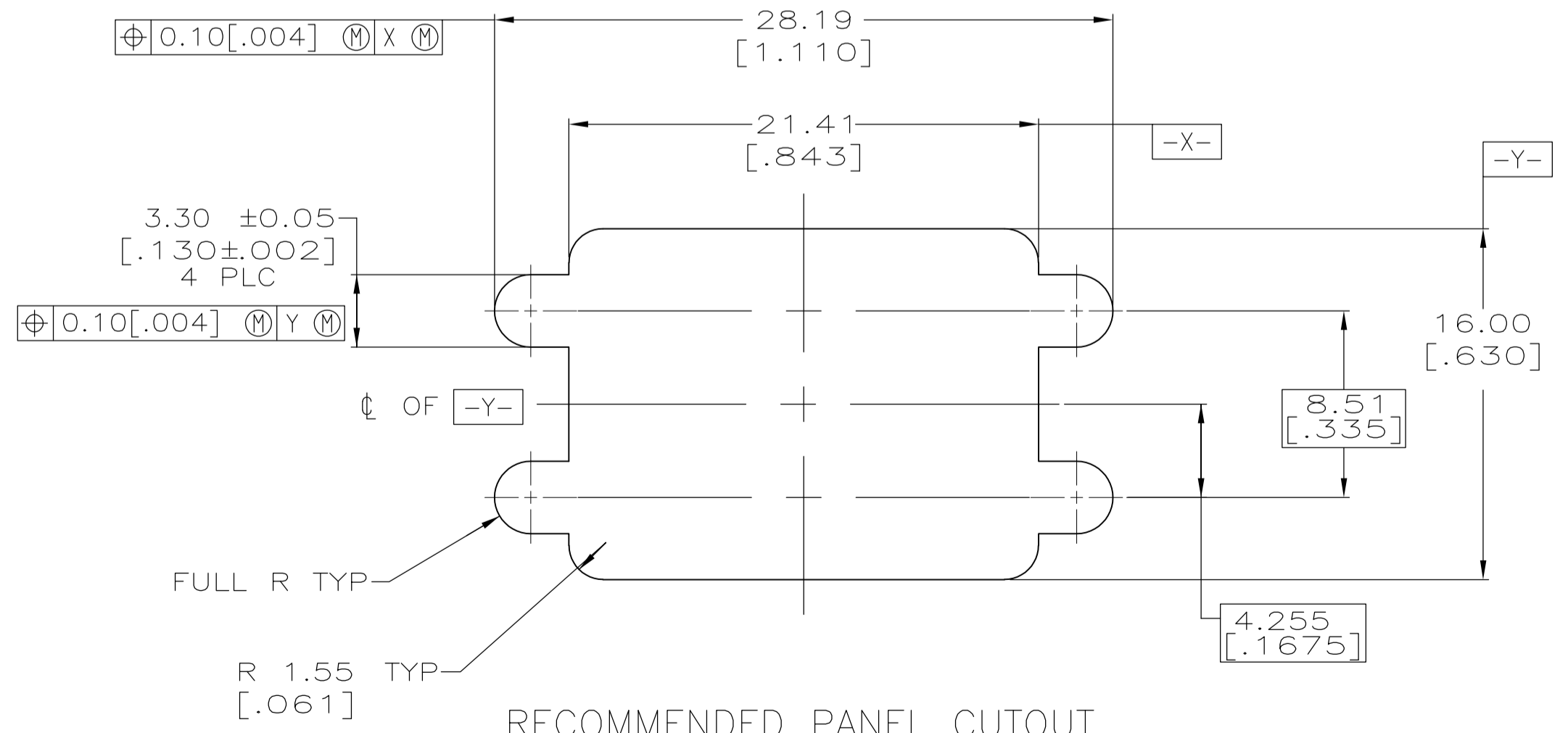
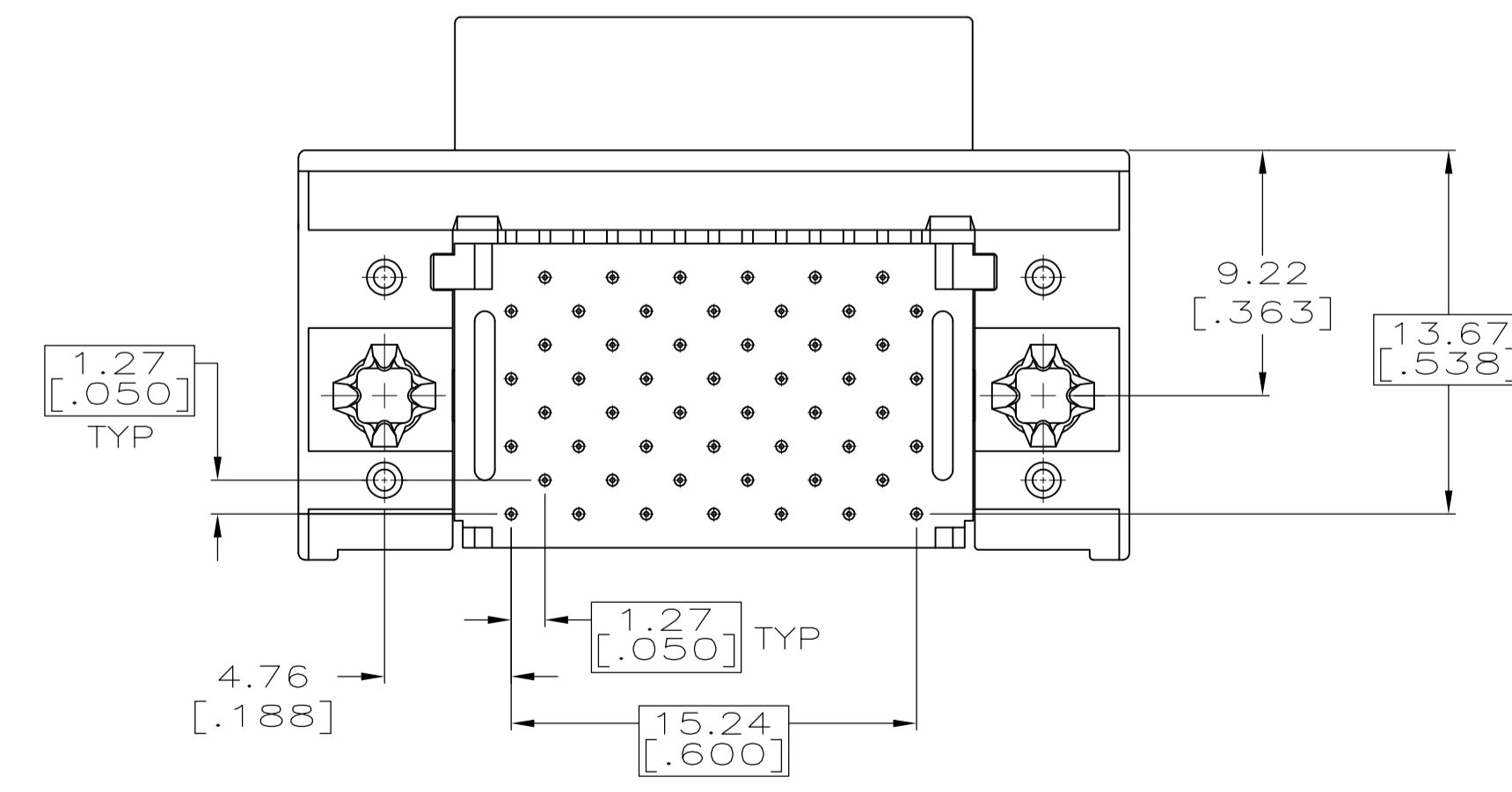


- 1 POSITION TOLERANCE APPLIES AT TIP ONLY.
- 2 MATERIAL
CONTACTS: PHOSPHOR BRONZE
RECEPTACLE HOUSING: UL 94V-0 RATED LCP, COLOR BLACK
BRACKET: ZINC
METAL SHELL: CARBON STEEL,
BOARDLOCKS: COPPER ALLOY.
- 3 FINISH
CONTACTS: GOLD FLASH OVER PALLADIUM-NICKEL PLATE, 0.00076 [0.00030] MIN TOTAL ON MATING SURFACES, 0.0038 TIN PLATE ON SOLDER-TAILS, 0.00127 [0.00050] MIN NICKEL UNDERPLATE ON ENTIRE CONTACT. -OR- 0.00076 [0.00030] MIN GOLD PLATE ON MATING SURFACES, 0.0038 [0.00150] MIN TIN PLATE ON SOLDER-TAILS, 0.00127 [0.00050] MIN NICKEL UNDERPLATE ON ENTIRE CONTACT.
METAL SHELL: 0.00508-0.01016 [0.000200-0.000400] TIN OVER 0.00127-0.00254 [0.000050-0.000100] COPPER.
BRACKET: 0.00508-0.01016 [0.000200-0.000400] TIN OVER 0.00508-0.00762 [0.000200-0.000300] COPPER.
BOARDLOCKS: 0.00508-0.01016 [0.000200-0.000400] TIN OVER 0.00127-0.00254 [0.000050-0.000100] NICKEL.



**COPYRIGHT 2005
TYCO ELECTRONICS CORP
ALL RIGHTS RESERVED**

THIS DRAWING IS A CONTROLLED DOCUMENT.		DIN L VARELA - 02-23-05	Tyco Electronics Corporation Harrisburg, PA 17105-3608
DIMENSIONS: mm [INCHES]		CHK S. SHUFY 02-23-05	
TOLERANCES UNLESS OTHERWISE SPECIFIED:		APVD M. WALMSLEY 02-23-05	RECEPTACLE ASSEMBLY, 52 POSN STACKED RIGHT ANGLE, AMPLIMITE .050 Series SLIMLINE
0 PLC ± -	1 PLC ± -	NAME	
2 PLC ± 0.13 [0.005]	3 PLC ± -	PRODUCT SPEC	
4 PLC ± -	ANGLES ± °	APPLICATION SPEC	
MATERIAL	FINISH	SIZE	RESTRICTED TO
		114-40036	
		WEIGHT	
		A1 00779 ©=5786200	
		CUSTOMER DRAWING	
		SCALE 4:1	SHEET 1 OF 1