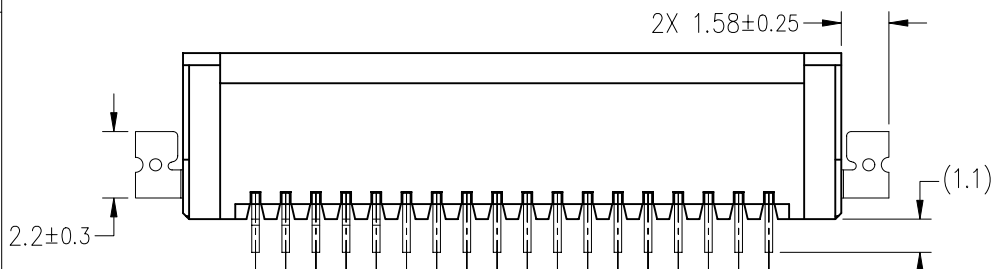


(FLATNESS OF CONTACT TERMINAL AND MOUNTING PLATE)
 MISALIGNMENT OF SOLDER TAIL AND FITTING NAIL FROM DATUM E
 : UPPER DIRECTION .10 MAX. , LOWER DIRECTION 0.15 MAX.

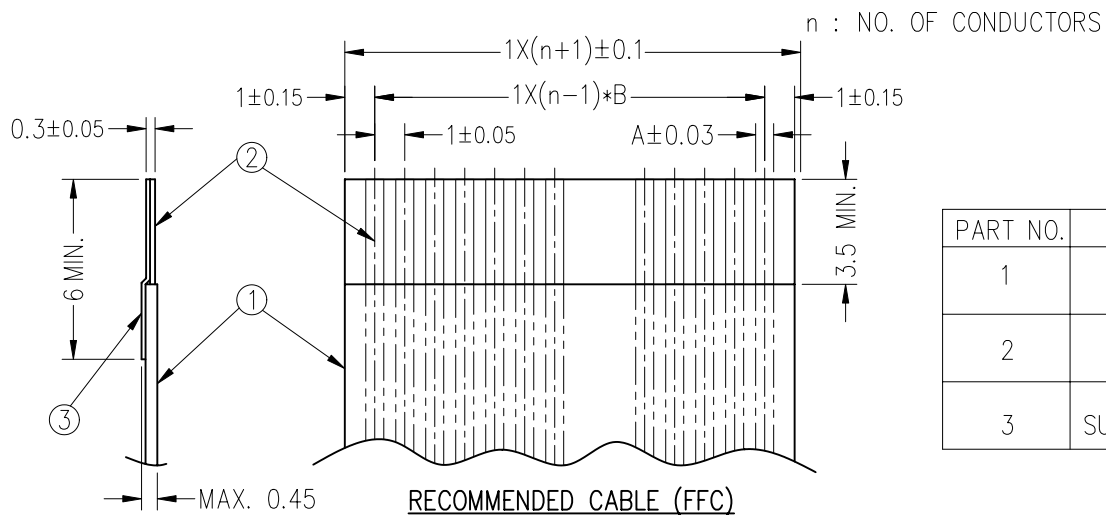
※ <<ALTERNATE CORE AND RIB CONSTRUCTION, NON-FUNCTION,
 AND OR FOR PLASTIC MOLDING PROCESS PURPOSE>>

RECOMMENDED P.C BOARD
 PATTERN DIMENSION. (REF.)
 (MOUNTING AREA)

RECOMMENDED SOLDER PASTE
 THICK 0.15mm [.006"] MIN.



mat'l. code				tolerances unless otherwise specified			projection	product family		
ltr ecn no dr date				angles linear			mm	FFC/FPC		
A S07-0203 SLLIM 070615				X±2"				title		
B S07-0450 SLLIM 071226							1mm SPACING SMT			
C S08-0180 SLLIM 080819							FFC/FPC CONNECTOR			
				dr SLLIM 060907			dwg no sheet 1 of 6 size			
				enr SLLIM 060907			10073872 A4			
				chr SLLIM 060907			type Product Customer Drawing			
				appd JOEY NG 060908						
sheet index		revision sheet		c c c c c c						
		1 2		3 4 5 6						



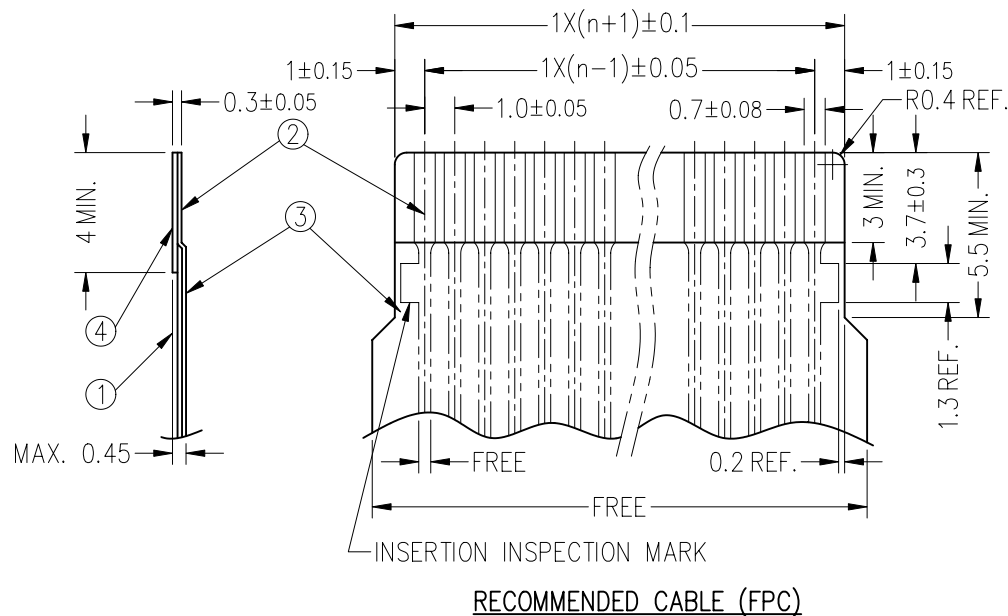
(NOTE C)	DIMENSION	TOLERANCE
	A	B
1	0.7	0.1
2	0.6	0.07

RECOMMENDED CABLE (FFC)

PART NO.	DESCRIPTION	MATERIAL	NOTE
1	INSULATOR	FLAME RESISTING POLYESTER OR EQUIVALENT	-----
2	CONDUCTOR	COPPER FOIL	PLATING: TIN OR SOLDER 1um MIN.
3	SUPPORTING TAPE	FLAME RESISTING POLYESTER OR EQUIVALENT	-----

NOTES:

- A.) NO BURR AT EACH PORION.
- B.) NO PEELING IN COMMON USE.
- C.) BOTH COMBINATION IS ALLOWED.

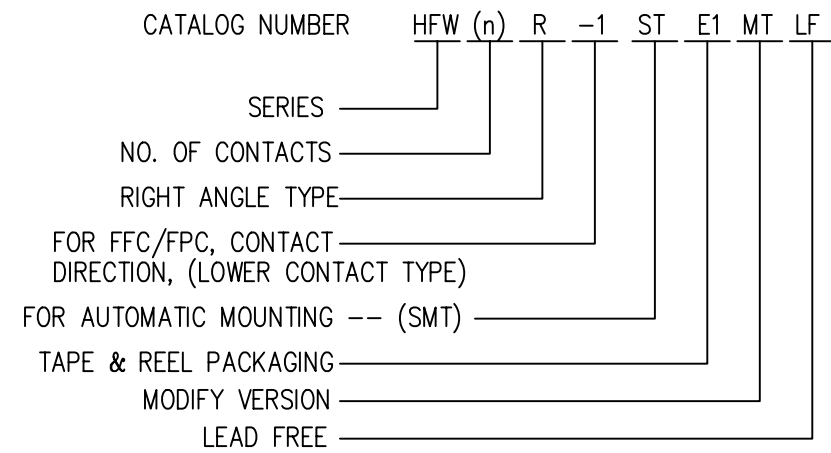


RECOMMENDED CABLE (FPC)

PART NO.	DESCRIPTION	MATERIAL	THICKNESS (um)
1	BASE FILM	POLYIMIDE OR POLYESTER OR EQUIVALENT	25
2	CONDUCTOR	COPPER FOIL (PLATING: SOLDER 1um MIN.)	35
3	OVERLAY	POLYIMIDE OR POLYESTER OR EQUIVALENT	-----
4	SUPPORTING TAPE	POLYIMIDE OR POLYESTER OR EQUIVALENT	188

mat'l. code		tolerances unless otherwise specified		projection	product family FFC/FPC	
ltr	ecn no	dr	date	mm	title	
c					1mm SPACING SMT FPC/FFC CONNECTOR	
		angles	linear	scale 4:1	dwg no	
		$x' \pm 2'$	$.XX \pm .20$		sheet 2 of 6	
		dr	SLLIM	060907		size
		enr	SLLIM	060907		A4
		chr	SLLIM	060907		
		appd	JOEY NG	060908		
sheet index		revision sheet			type Product Customer Drawing	

PART NO.	PARTS NAME	MATERIAL	Q'TY	NOTE
1	HOUSING	HIGH TEMPERATURE THERMOPLASTIC REINFORCED (UL94V-0)	1	COLOR: BLACK
2	CONTACT	PHOSPHOR BRONZE	n	PLATING (LEAD FREE)
3	SMT CLIP	BRASS	2	



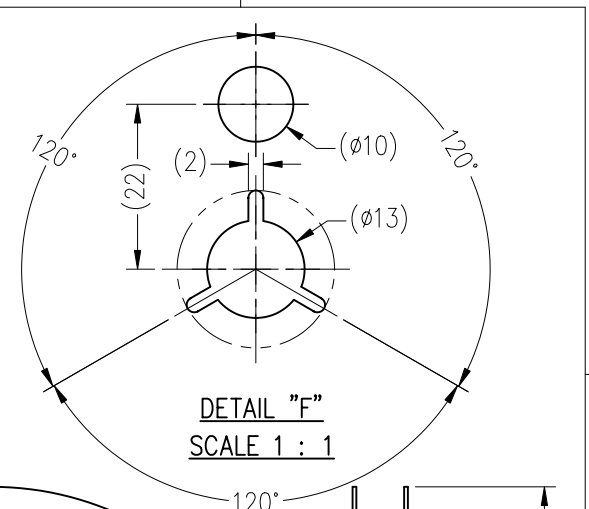
30	HFW30R-1STE1MTLF	29	31.14	33.8
29	HFW29R-1STE1MTLF	28	30.14	32.8
28	HFW28R-1STE1MTLF	27	29.14	31.8
27	HFW27R-1STE1MTLF	26	28.14	30.8
26	HFW26R-1STE1MTLF	25	27.14	29.8
25	HFW25R-1STE1MTLF	24	26.14	28.8
24	HFW24R-1STE1MTLF	23	25.14	27.8
23	HFW23R-1STE1MTLF	22	24.13	26.8
22	HFW22R-1STE1MTLF	21	23.14	25.8
21	HFW21R-1STE1MTLF	20	22.14	24.8
20	HFW20R-1STE1MTLF	19	21.14	23.8
19	HFW19R-1STE1MTLF	18	20.14	22.8
18	HFW18R-1STE1MTLF	17	19.14	21.8
17	HFW17R-1STE1MTLF	16	18.14	20.8
16	HFW16R-1STE1MTLF	15	17.14	19.8
15	HFW15R-1STE1MTLF	14	16.14	18.8
14	HFW14R-1STE1MTLF	13	15.14	17.8
13	HFW13R-1STE1MTLF	12	14.14	16.8
12	HFW12R-1STE1MTLF	11	13.14	15.8
11	HFW11R-1STE1MTLF	10	12.14	14.8
10	HFW10R-1STE1MTLF	9	11.14	13.8
9	HFW9R-1STE1MTLF	8	10.14	12.8
8	HFW8R-1STE1MTLF	7	9.14	11.8
7	HFW7R-1STE1MTLF	6	8.14	10.8
6	HFW6R-1STE1MTLF	5	7.14	9.8
5	HFW5R-1STE1MTLF	4	6.14	8.8
4	HFW4R-1STE1MTLF	3	5.14	7.8
CIRCUIT	CATALOG NO.	A	B	C

NOTES

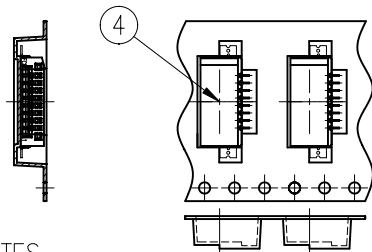
- THIS PRODUCT IS THE CONNECTOR DESIGNED TO TERMINATE FPC/FFC AND COPE WITH AUTOMATIC MOUNTING (SMT).
- MISALIGNMENT OF SOLDER TAIL AND SMT CLIP FROM DATUM E : UPPER DIRECTION 0.10 MAX. , LOWER DIRECTION 0.15 MAX.
- THIS PRODUCT IS LOWER CONTACT TYPE CONNECTOR.
- THIS PRODUCT IS MEETS EUROPEAN UNION DIRECTIVES AND OTHER COUNTRY REGULATIONS AS DESCRIBED IN GS-22-008.
- THE HOUSING WILL WITHSTAND EXPOSURE TO 260°C PEAK TEMPERATURE FOR 10 SECONDS IN A REFLOW SOLDERING OVEN.
- THIS PRODUCT IS LOWER CONTACT TYPE CONNECTOR.
- THIS CATALOG NO. INDICATES PLASTIC TAPE PACKAGED CONNECTOR.

mat'l. code		tolerances unless otherwise specified		projection	product family	
ltr	ecn no	dr	date	mm	FFC/FPC	
c					title	
		angles	linear	scale 4:1	1mm SPACING SMT FPC/FFC CONNECTOR	
		x±2'			dwg no sheet 3 of 6 size	
		dr	SLLIM	FCI	10073872 A4	
		enr	SLLIM		type Product Customer Drawing	
		chr	SLLIM			
		appd	JOEY NG			
sheet index	revision sheet					

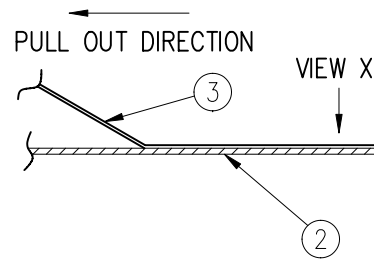
P/N:	PARTS NAME	CATALOG NO.	MATERIAL	QUANTITY	NOTE
①	REEL	-----	POLYSTYRENE (PS) <RECYCLE MATERIAL CONTAINED>	01	COLOR: BLACK
②	PLASTIC (EMBOSED) CARRIER TAPE	-----	POLYSTYRENE (0.4mm Thick)	-----	COLOR: (CLEAR) TRANSPARENCY
③	COVER (TOP TAPE)	-----	POLYESTER	-----	COLOR: (CLEAR) TRANSPARENCY
④	CONNECTOR	HFW_R-1STE1MTLF	SEE ATTACHED DRAWING	1,000PCS/REEL	LOWER CONTACT TYPE



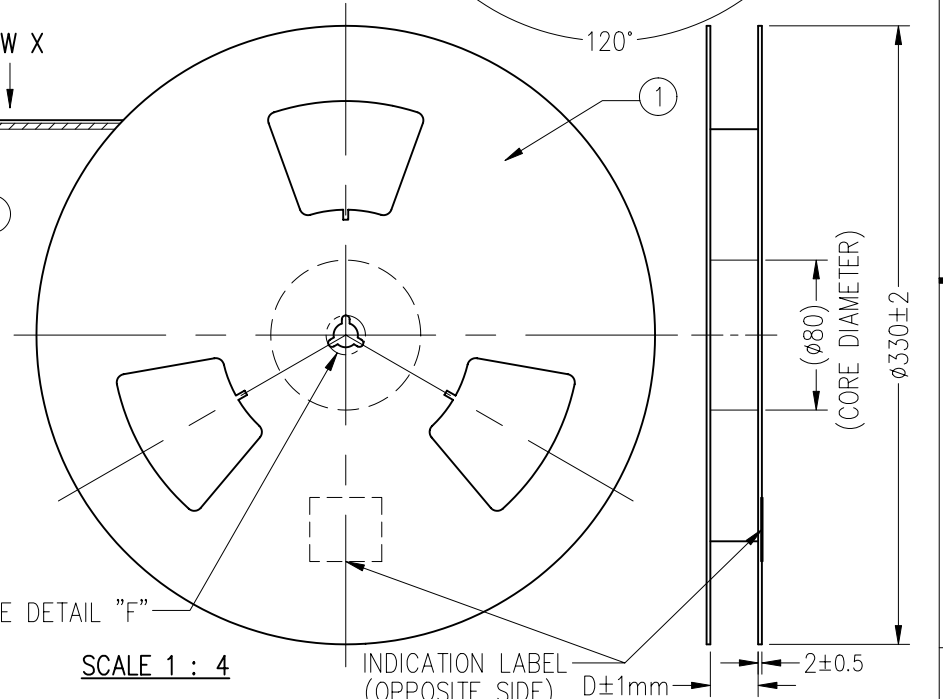
UNLESS OTHERWISE SPECIFIED: ±5, ANGLE ±5°
TOLERANCES



SCALE 4 : 1



VIEW X



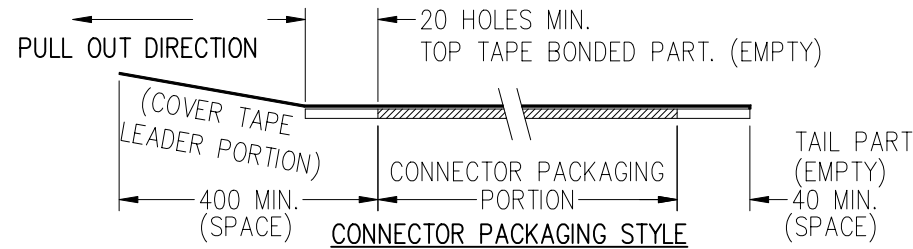
SCALE 1 : 4

INDICATION LABEL
(OPPOSITE SIDE)

D±1mm
(NOTE 5)

NOTES

1. THIS IS PLASTIC TAPE PACKAGED CONNECTOR DESIGNED TO TERMINATE FPC/FFC AND COPEs WITH AUTOMATIC MOUNTING (SMT).
2. SEE JIS C 0806 (PACKING OF ELECTRONICS COMPONENTS ON CONTINUOUS TAPES, SURFACE MOUNT DEVICES) FOR SHAPE AND DIMENSIONS OF PLASTIC (EMBOSED) TAPE AND REEL.
3. LEAD TAPE LENGTH

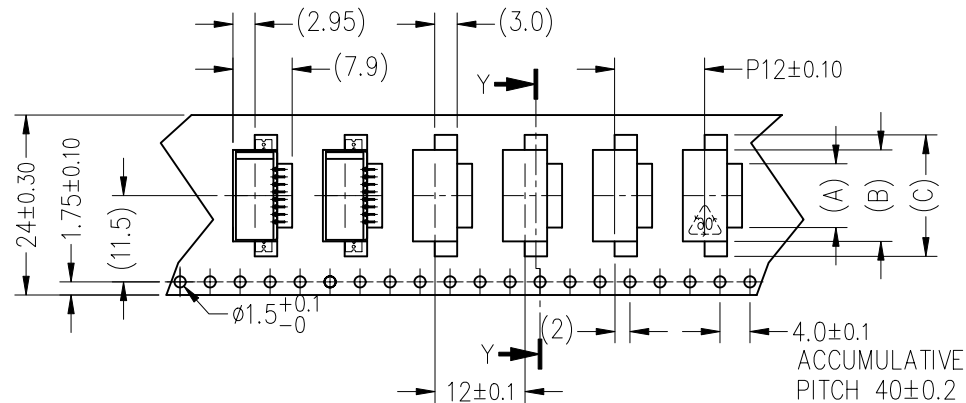
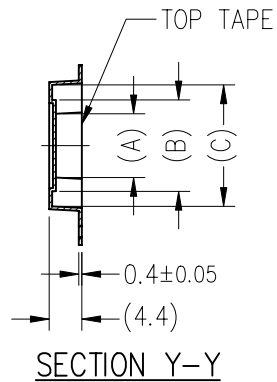


4. PEELING OFF FORCE OF TOP TAPE TAPE: 0.1N~0.7N(10.2gf~71.4gf)
(PEELING DIRECTION AS SHOWN IN FOLLOWING FIG.)
THIS REQUIREMENT SHOULD BE APPLIED AT SHIPMENT.
PEEL OFF SHOULD NOT BE ALLOWED, DURING TRANSPORTATION.



5. D±1mm DIMENSION IS PORTION OF THE CORE.

mat'l. code				tolerances unless otherwise specified		projection	product family	
ltr	ecn no	dr	date	angles	linear	mm	FFC/FPC	
c				-----	.XX±.20		scale 4:1	title
				dr	SLLIM 060907	1mm SPACING SMT FPC/FFC CONNECTOR		
				enr	SLLIM 060907	FCI	dwg no	
				chr	SLLIM 060907		10073872	
				appd	JOEY NG 060908	sheet 4 of 6		
sheet index		revision sheet				size		
						A4		
						type		
						Product Customer Drawing		



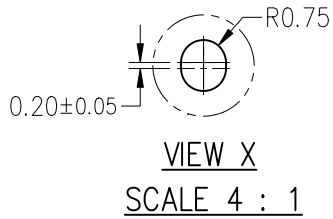
PULL OUT DIRECTION



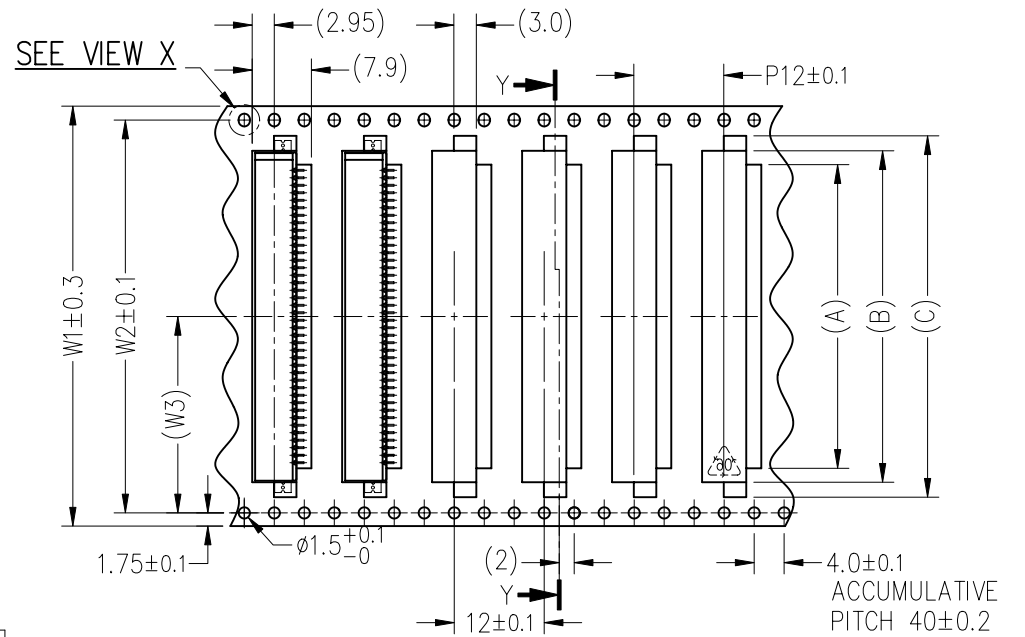
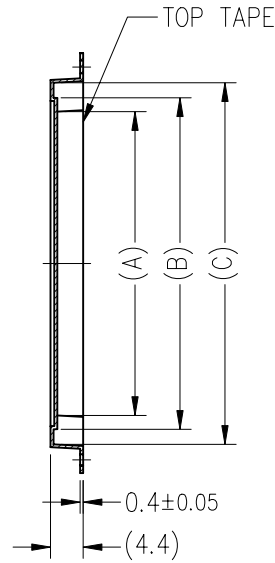
24mm WIDTH CARRIER TAPE

10	HFW10R-1STE1MTLF	10.5	14.2	18.2	25.5	24
9	HFW9R-1STE1MTLF	9.5	13.2	17.2		
8	HFW8R-1STE1MTLF	8.5	12.2	16.2		
7	HFW7R-1STE1MTLF	7.5	11.2	15.5		
6	HFW6R-1STE1MTLF	6.5	10.2	14.2		
5	HFW5R-1STE1MTLF	5.5	9.2	13.2		
4	HFW4R-1STE1MTLF	4.5	8.2	12.2		
CIRCUIT	CATALOG NO.	(A)	(B)	(C)	D±1mm REEL CORE	CARRIER TAPE WIDTH

mat'l. code				tolerances unless otherwise specified			projection	product family FFC/FPC		
ltr	ecn no	dr	date	angles x'±2'	linear	.XX±.20	mm	title		
c								1mm SPACING SMT FPC/FFC CONNECTOR		
				dr	SLLIM	060907		scale 4:1		sheet 5 of 6
				enr	SLLIM	060907		dwg no		size
				chr	SLLIM	060907		10073872		A4
				appd	JOEY NG	060908		type Product Customer Drawing		
sheet index	revision sheet									



SECTION Y-Y



32mm, 44mm, & 56mm WIDTH CARRIER TAPE

30	HFW30R-1STE1MTLF	30.5	34.2	38.2	57.5	56	52.4	26.2
29	HFW29R-1STE1MTLF	29.5	33.2	37.2				
28	HFW28R-1STE1MTLF	28.5	32.2	36.2				
27	HFW27R-1STE1MTLF	27.5	31.2	35.2	45.5	44	40.4	20.2
26	HFW26R-1STE1MTLF	26.5	30.2	34.2				
25	HFW25R-1STE1MTLF	25.5	29.2	33.2				
24	HFW24R-1STE1MTLF	24.5	28.2	32.2				
23	HFW23R-1STE1MTLF	23.5	27.2	31.2				
22	HFW22R-1STE1MTLF	22.2	26.2	30.2				
21	HFW21R-1STE1MTLF	21.5	25.2	29.2	33.5	32	28.4	14.2
20	HFW20R-1STE1MTLF	20.5	24.2	28.2				
19	HFW19R-1STE1MTLF	19.5	23.2	27.2				
18	HFW18R-1STE1MTLF	18.5	22.2	26.2				
17	HFW17R-1STE1MTLF	17.5	21.2	25.2				
16	HFW16R-1STE1MTLF	16.5	20.2	24.2	D±1mm	W1	W2	(W3)
15	HFW15R-1STE1MTLF	15.5	19.2	23.2				
14	HFW14R-1STE1MTLF	14.5	18.2	22.2				
13	HFW13R-1STE1MTLF	13.5	17.2	21.2				
12	HFW12R-1STE1MTLF	12.5	16.2	20.2	REEL CORE	CARRIER TAPE		
11	HFW11R-1STE1MTLF	11.5	15.2	19.2				
CIRCUIT	CATALOG NO.	(A)	(B)	(C)				

mat'l. code				tolerances unless otherwise specified		projection	product family		
ltr	ecn no	dr	date	angles	linear	mm	FFC/FPC		
c				x'±2'	-----		scale 4:1	title	
				dr	SLLIM	060907	1mm SPACING SMT		
				enr	SLLIM	060907	FPC/FFC CONNECTOR		
				chr	SLLIM	060907	dwg no		
				appd	JOEY NG	060908	sheet 6 of 6		
sheet index		revision sheet						10073872	
								A4	
								type Product Customer Drawing	