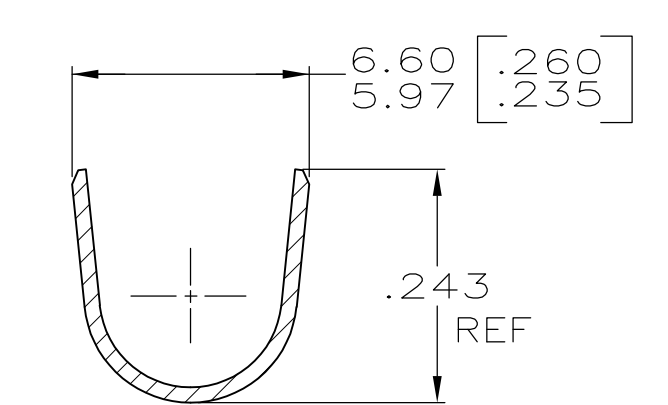
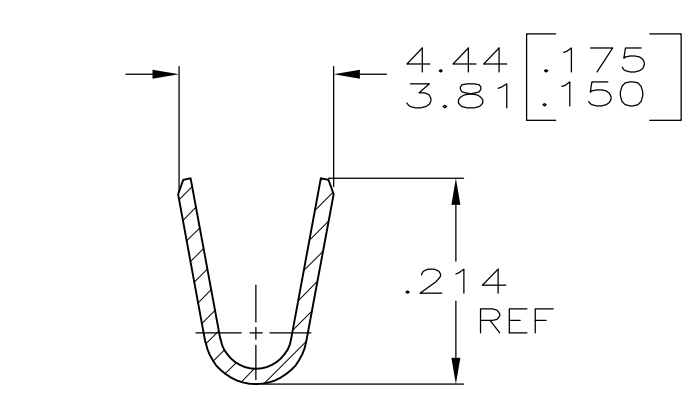
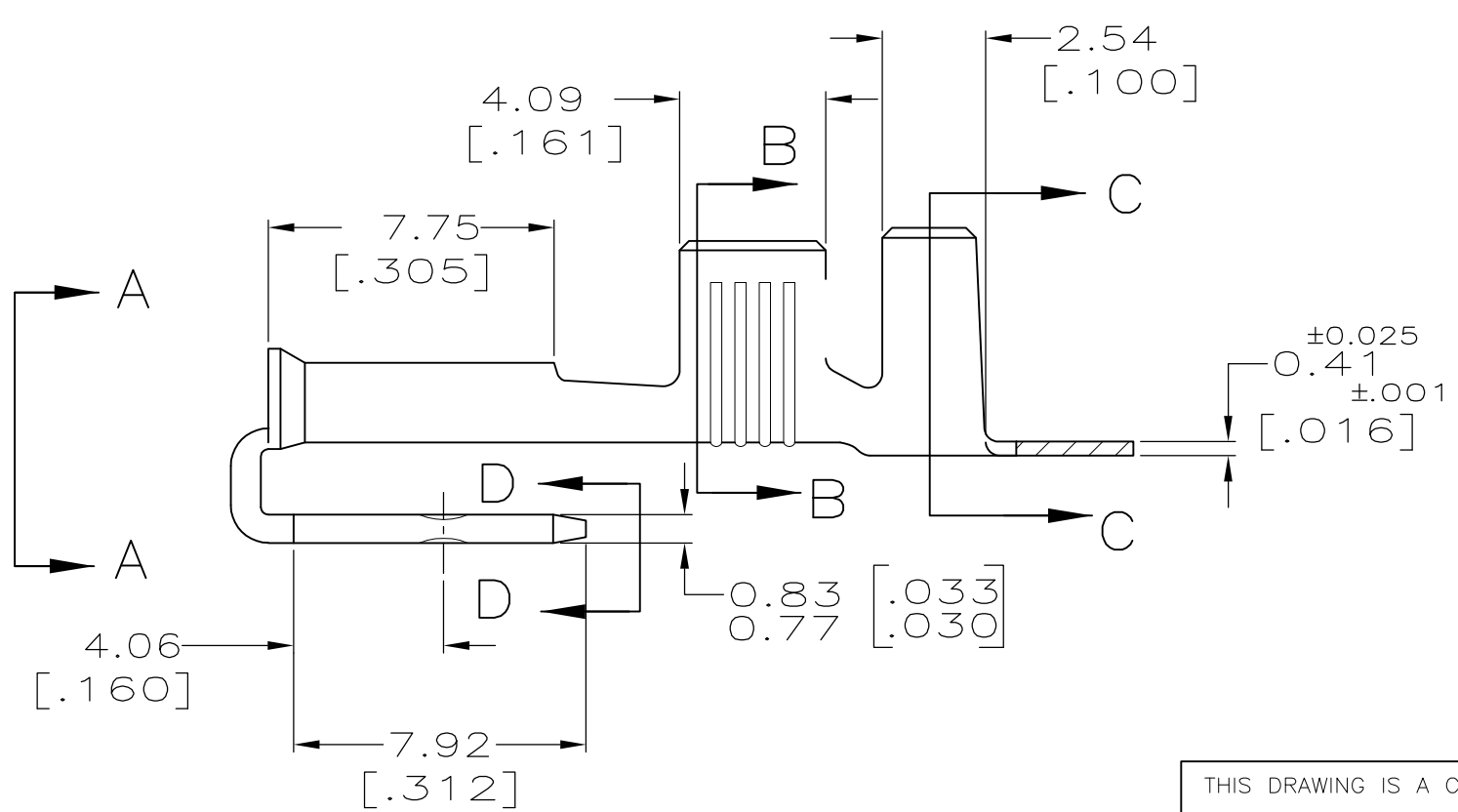
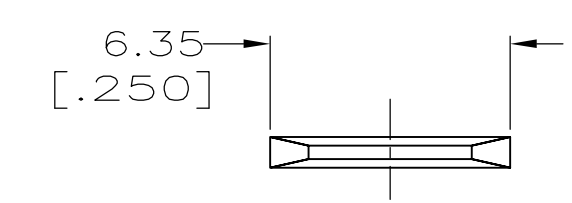
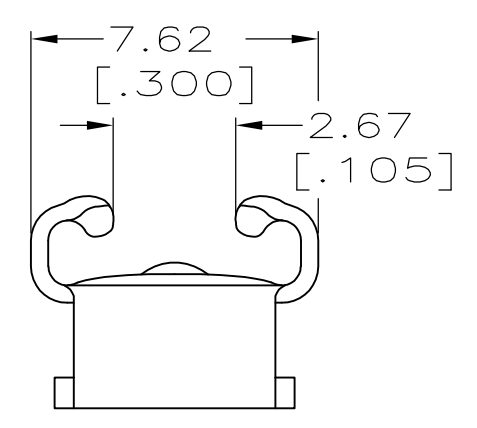
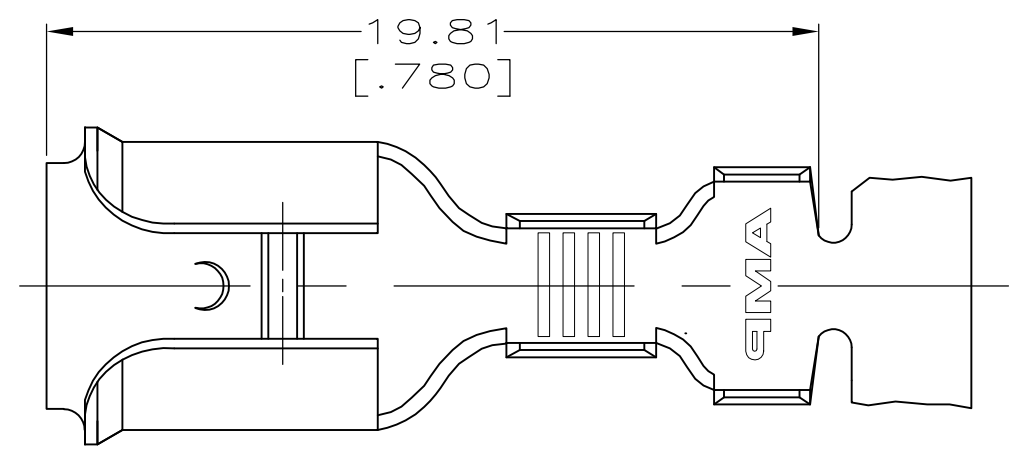


THIS DRAWING IS UNPUBLISHED. RELEASED FOR PUBLICATION
 © COPYRIGHT - By - ALL RIGHTS RESERVED.

LOC	DIST	REVISIONS			
P	LTR	DESCRIPTION	DATE	DWN	APVD
AF	50				
	D	REVISED PER ECR-12-013518	26NOV2012	KH	PD

- CONTINUOUS STRIP ON REELS.
- MATING TAB THK 0.813 ± 0.025 $[\.032 \pm .001]$.
- WIRE SIZE [#14-#10] AWG.
- INSUL RANGE IS 3.81-5.08 $[\.150-.200]$ DIA.



1217043-1
 PART NO.

THIS DRAWING IS A CONTROLLED DOCUMENT.		DWN	JR RUTH	12/18/97	 TE Connectivity	NAME		RECEPTACLE, FASTON, PIGGYBACK, 6.35 [.250] SERIES			
DIMENSIONS: mm [INCHES]		CHK	MS FEHER	12/18/97		PRODUCT SPEC		-			
TOLERANCES UNLESS OTHERWISE SPECIFIED:		APVD	P DESANTIS	12/18/97		APPLICATION SPEC		-			
0 PLC ± - 1 PLC ± - 2 PLC ± 0.25 [.010] 3 PLC ± - 4 PLC ± - ANGLES ± -		MATERIAL		FINISH		WEIGHT		-			
BRASS		0.002032 [.000080] MIN TIN		CUSTOMER DRAWING		SIZE	A3	CAGE CODE	00779		
						DRAWING NO	C=1217043		RESTRICTED TO	-	
						SCALE	5:1	SHEET	1 OF 1	REV	D