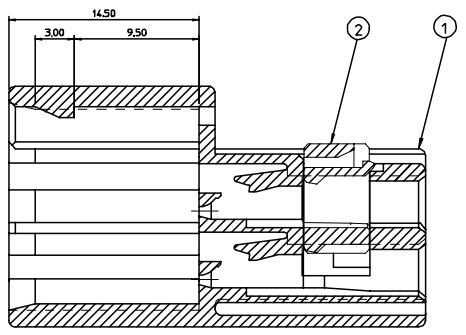
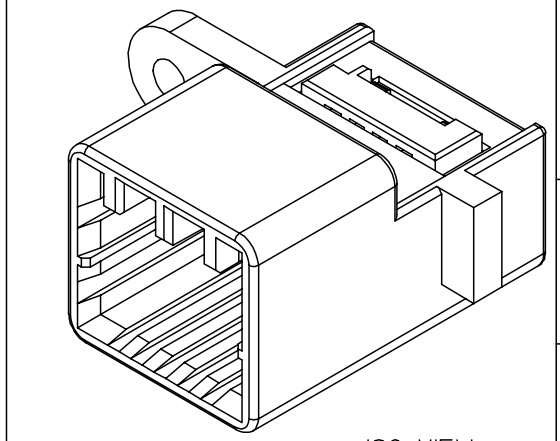
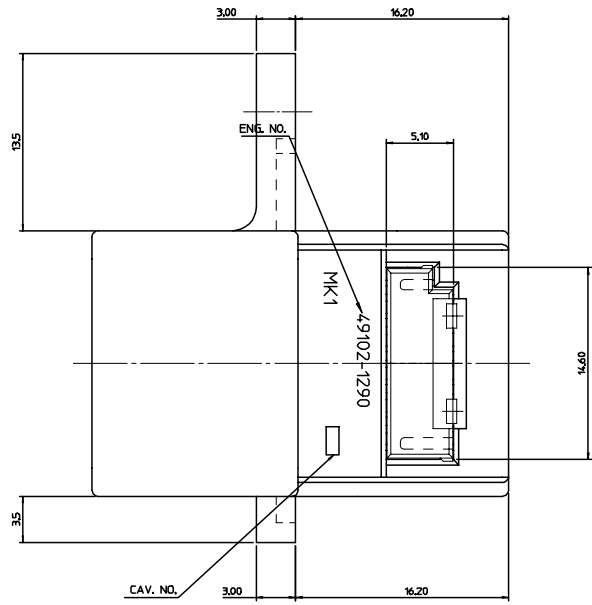


DWG. NO. SD-49102-001
 SIMILAR ITEM
 PROJECT NO.
 E
 D
 C
 B
 DO NOT SCALE DRAWING
 DIMENSION IN METRIC

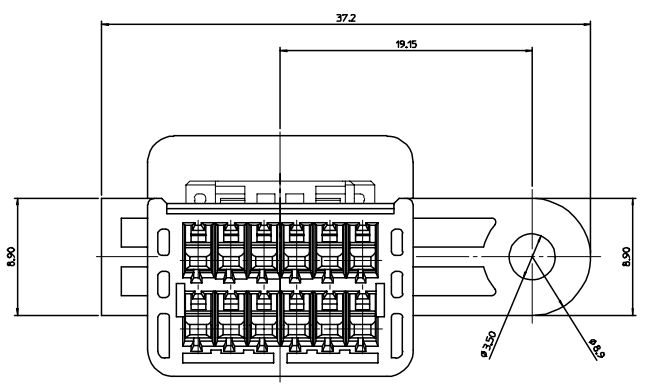
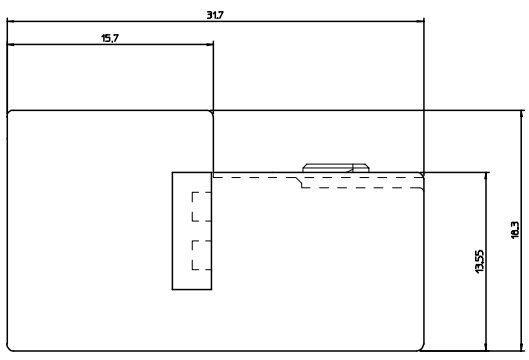
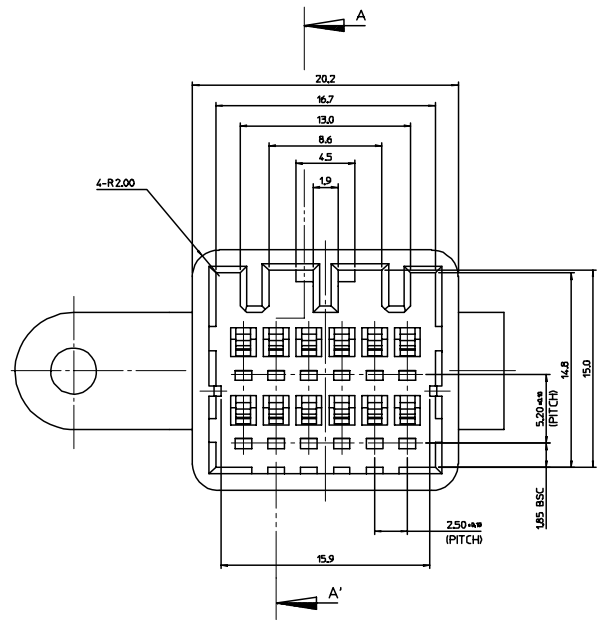


SECTION A-A'



ISO VIEW

| NO. | PART NAME | PART NO. | MATERIAL | REMARKS |
|-----|-----------|------------|-----------|---------|
| 1 | M/HSG 12P | 49102-1290 | POLYESTER | NATURAL |
| 2 | M/TPA | 49103-1283 | POLYESTER | YELLOW |



- <NOTE>
1. MATERIAL : POLYESTER(PBT) UL 94HB
 2. APPLICABLE TERMINAL : 50660-9001
 3. APPLICATION FEMALE HOUSING : 64002-1215

| MATERIAL NO. | ENG. NO. |
|--------------|------------|
| 491021210 | 49102-1210 |

| | | | | | | | | |
|---|-------------------|---------------------------------------|--|--------------------------------|------------------------|-------------|---------|---------|
| NEW RELEASE ECN NO.49102-0162 DRAWN:SMJK 05/02/14 CHK:BC YOON 05/02/14 APPROVEE | QUALITY SYMBOLS | GENERAL TOLERANCES (UNLESS SPECIFIED) | SCALE 4:1 | DESIGN UNITS | THIRD ANGLE PROJECTION | DIMENSIONS: | SHT | REV |
| | MAJOR CRITICAL | m/m INCH | m/m INCH | m/m INCH | mm ONLY | mm INCH | mm ONLY | mm ONLY |
| REV | DESCRIPTION | 4 PLACES ±0.1 ± | DRAWN BY & DATE S.MJKIM 04/08/31 | TITLE | | | | |
| | | 3 PLACES ±0.1 ± | CHECKED BY & DATE B.C.YOON 04/08/31 | .040 MIRROR MALE HSG 12P ASS'Y | | | | |
| | | 2 PLACES ±0.2 ± | APPROVED BY & DATE C.W.LEE 04/08/31 | MOLEX INCORPORATED | | | | |
| | | 1 PLACE ±0.3 ± | CAD FILE NAME SD49102JHI | MATERIAL NO. | DRAWING NO. | SHEET NO. | | |
| | | ANGULAR: ± 1° | DRAFT WHERE APPLICABLE MUST REMAIN WITHIN DIMENSIONS | SEE TABLE | SD-49102-001 | 10F1 | | |
| | | | THIS DRAWING CONTAINS INFORMATION THAT IS PROPRIETARY TO MOLEX INCORPORATED AND SHOULD NOT BE USED WITHOUT WRITTEN PERMISSION. | | | | | |
| | | | KOREA MX-A2 | | | | | |

12 11 10 9 8 7 6 5 4 3 2 1