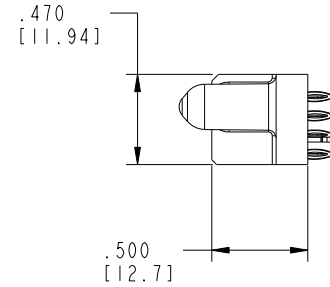
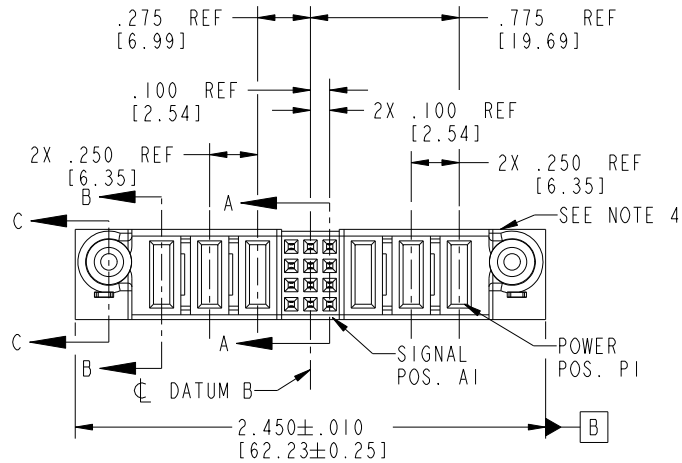


Tous droits strictement réservés. Reproduction ou communication a des tiers interdite sous quelque forme que ce soit sans autorisation écrite du propriétaire. Propriété de c FCI. Droits de reproduction FCI.

All rights strictly reserved. Reproduction or issue to third parties in any form whatever is not permitted without written authority from the proprietor. Property of FCI. Copyright FCI.



PRODUCT NO. 51750-048-- NOTE: 3	ROWS D C B A	POWER				SIG.			POWER			
		E2	P6	P5	P4	3	2	1	P3	P2	P1	E1



CODE	DIM "M"	MATING LENGTH	CONTACT TYPE
F	N/A	[N/A]	SIGNAL
PC	.042	[1.07]	POWER
PF	.092	[2.34]	POWER
HA	N/A	[N/A]	HOLD-DOWN

mat'l code				SEE NOTE 2		tolerances unless otherwise specified		CUSTOMER		 www.fciconnect.com	
lir	ecn no.	dr	date	linear	.XX±.01/0.X±0.3	projection		title 3P + 12S + 3P			
A	V03-0511	TAB	05/07/03		.XXX±.005/0.XX±0.13			VERTICAL PRESS-FIT RECEPT			
B	DG05-0504	GuoJM	11/29/05	angles	.XXX±.0020/0.XXX±0.051			product family PwrBlade		code 213	
C	DG08-0251	W D	09/13/08	dr	0°±2°	scale 1:1		size A		sheet 1 of 4	
sheet index		revision sheet		C	C	C	C	A		51750-048	
		1 2		C	C	C	C				

Pro/E

PDM: Rev: C

STATUS: Released

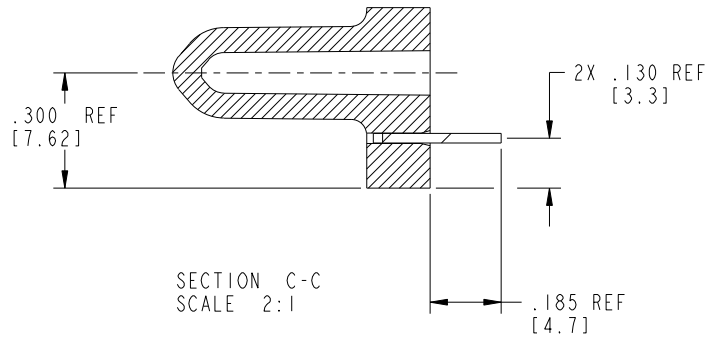
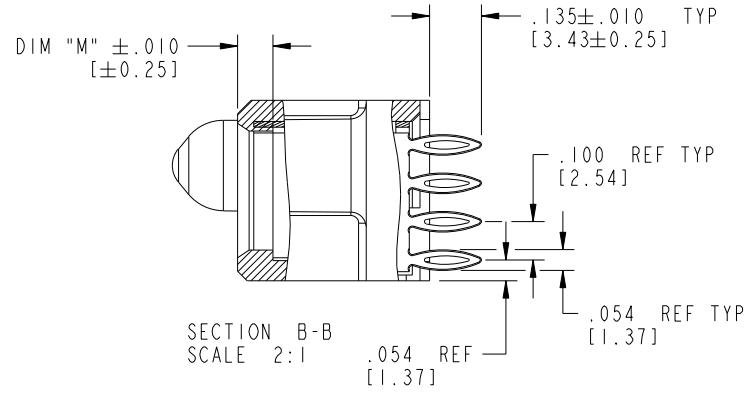
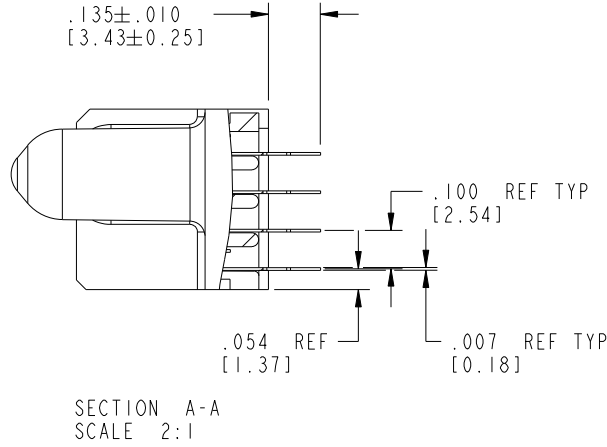
Printed: Dec 20, 2010

Tous droits strictement réservés. Reproduction ou communication a des tiers interdite sous quelque forme que ce soit sans autorisation écrite du propriétaire. Propriete de c FCI. Droits de reproduction FCI.

All rights strictly reserved. Reproduction or issue to third parties in any form whatever is not permitted without written authority from the proprietor. Property of FCI. Copyright FCI.



PRODUCT NUMBER  
51750-048\_\_  
NOTE: 3



mat'l code		SEE NOTE 2		tolerances unless otherwise specified		CUSTOMER		FCI	
lfr	ecn no.	dr	date	linear	.XX±.01/0.X±0.3	projection	www.fciconnect.com		
C				linear	.XX±.005/0.XX±0.13	INCH/MM	title 3P + 12S + 3P		
				angles	.XXX±.0020/0.XXX±0.051	scale	VERTICAL PRESS-FIT RECEPT		
				dr	0°±2°	1:1	product family PwrBlade		code
				engr	T. BRUNGARD 05/07/03		size	dwg no	213
				chr	M. MOSTOLLER 05/07/03		A 51750-048		sheet
				appd	M. MOSTOLLER 05/07/03				2 of 4
sheet index	revision sheet								

Pro/E

PDM: Rev: C

STATUS: Released

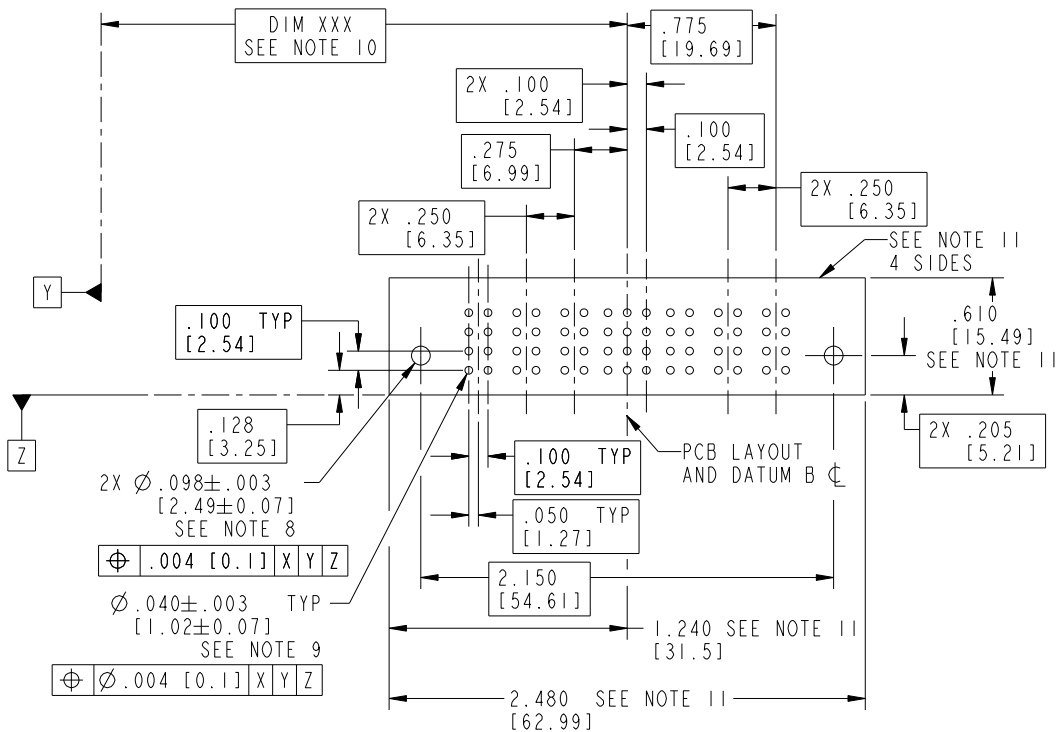
Printed: Dec 20, 2010

Tous droits strictement réservés. Reproduction ou communication a des tiers interdite sous quelque forme que ce soit sans autorisation écrite du propriétaire. Propriété de c FCI. Droits de reproduction FCI.



All rights strictly reserved. Reproduction or issue to third parties in any form whatever is not permitted without written authority from the proprietor. Property of FCI. Copyright FCI.

PRODUCT NUMBER  
51750-048\_\_  
NOTE: 3



RECOMMENDED PCB LAYOUT

mat'l code		SEE NOTE 2		tolerances unless otherwise specified		CUSTOMER		FCI	
lfr	ecn no.	dr	date	linear	.XX±.01/0.X±0.3	COPY		www.fciconnect.com	
C				angles	.XXX±.005/0.XX±0.13 .XXX±.0020/0.XXX±0.051	projection		title 3P + 12S + 3P	
				dr	0°±2°	INCH/MM		VERTICAL PRESS-FIT RECEPT	
				engr	T. BRUNGARD 05/07/03	scale		product family PwrBlade	
				chr	M. MOSTOLLER 05/07/03	1:1		code 213	
				appd	M. MOSTOLLER 05/07/03	size		sheet 3 of 4	
sheet index	revision sheet					A		51750-048	

Pro/E

PDM: Rev: C

STATUS: Released

Printed: Dec 20, 2010

cage code 28556



PRODUCT NUMBER  
51750-048\_\_  
NOTE: 3

NOTES:

1. DIMENSIONS AND TOLERANCES ARE IN ACCORDANCE WITH ASME Y14.5M, 1994 UNLESS OTHERWISE SPECIFIED.

CONNECTOR NOTES:

② HOUSING MATERIAL: UL 94 V-0 GLASS FILLED HIGH-TEMP THERMOPLASTIC  
POWER CONTACT MATERIAL: COPPER ALLOY  
SIGNAL PIN MATERIAL: COPPER ALLOY

△ 3. SEE ITEM 7 & 8 IN PRINT 10064183 FOR PLATING SPEC OF 51750-048 AND 51750-048LF RESPECTIVELY.

④ MANUFACTURER'S NAME, P/N, AND DATE CODE TO APPEAR ON THIS SURFACE.

5. PRODUCT SPECIFICATION GS-12-149.  
APPLICATION SPECIFICATION BUS-20-067.

6. PACKAGED IN TRAYS.

PCB NOTES:

7. ALL HOLE DIAMETERS ARE FINISHED HOLE SIZE.

⑧ MOUNTING HOLES, WHERE APPLICABLE, ARE UNPLATED.

⑨  $\varnothing .0453 \pm .0010$  [1.151 ± 0.025] DRILLED HOLES PLATED WITH  
.0003 [0.008] MIN SnPb OVER .001 [0.03]  
TO .003 [0.08] Cu PLATING TO ACHIEVE  
 $\varnothing .040 \pm .003$  [1.02 ± .07] HOLE.

⑩ "DIM XXX" TO BE DETERMINED BY THE CUSTOMER.

⑪ CONNECTOR KEEP-OUT ZONE.

12. A △ SYMBOL WILL BE NEXT TO ANY DIMENSION, VIEW, OR NOTE WHICH HAS BEEN MODIFIED WITH THE CURRENT DRAWING REVISION.

mat'l code				SEE NOTE 2		tolerances unless otherwise specified		CUSTOMER		 www.fciconnect.com	
ltr	ecn no.	dr	date	linear	.XX±.01/0.X±0.3	projection	COPY		title 3P + 12S + 3P		
C					.XXX±.005/0.XX±0.13	  INCH/MM	VERTICAL PRESS-FIT RECEPT		product family PwrBlade code 213		
				angles	.XXXX±.0020/0.XXX±0.051		size		dwg no		sheet
				dr	T. BRUNGARD 05/07/03	scale		A 51750-048		4 of 4	
				engr	M. MOSTOLLER 05/07/03	1:1					
				chr	M. MOSTOLLER 05/07/03						
				appd	M. MOSTOLLER 05/07/03						
sheet index		revision sheet									

A

A

B

B