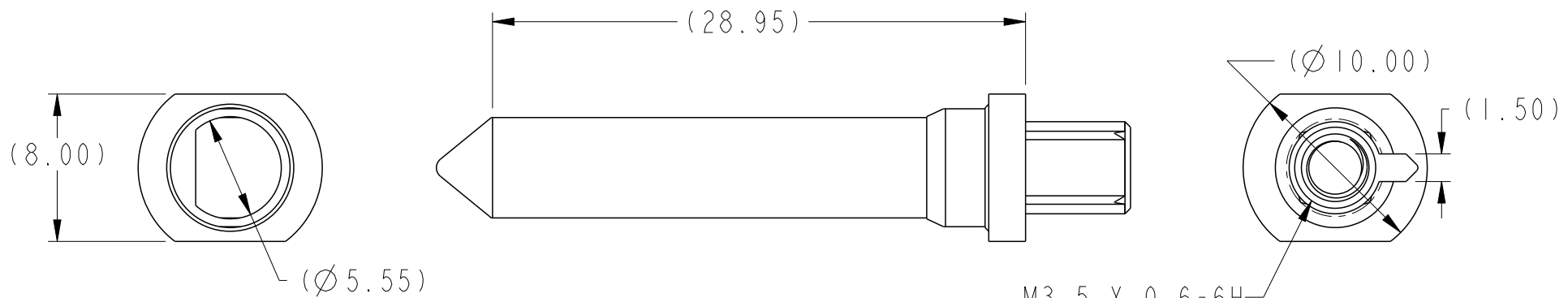
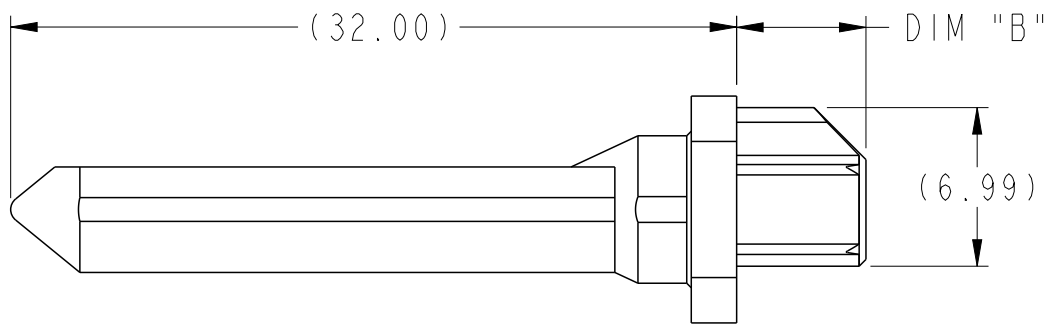


PRODUCT NUMBER
SEE TABLE, SHT 3



M3.5 X 0.6-6H
SEE TABLE DIM "D"
FOR THREAD DEPTH

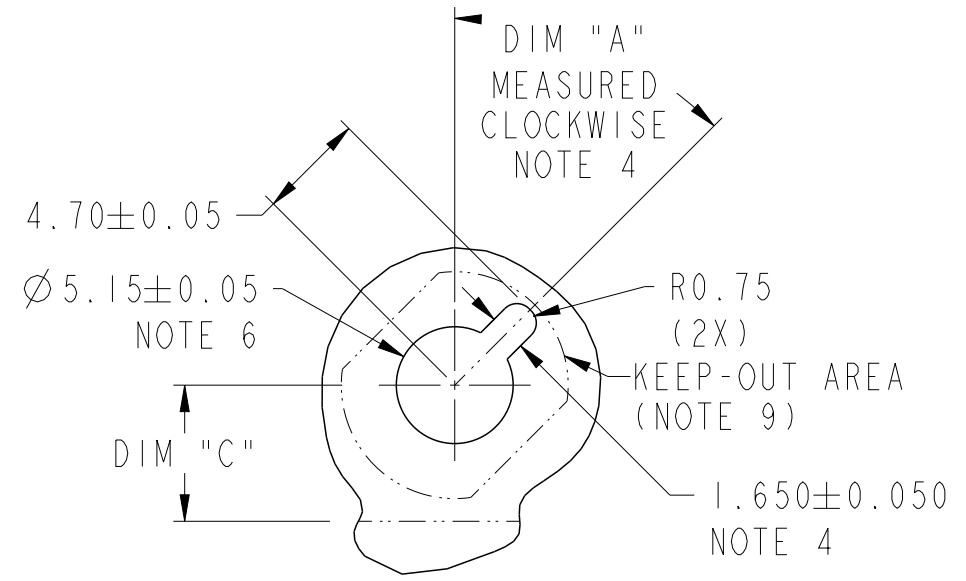
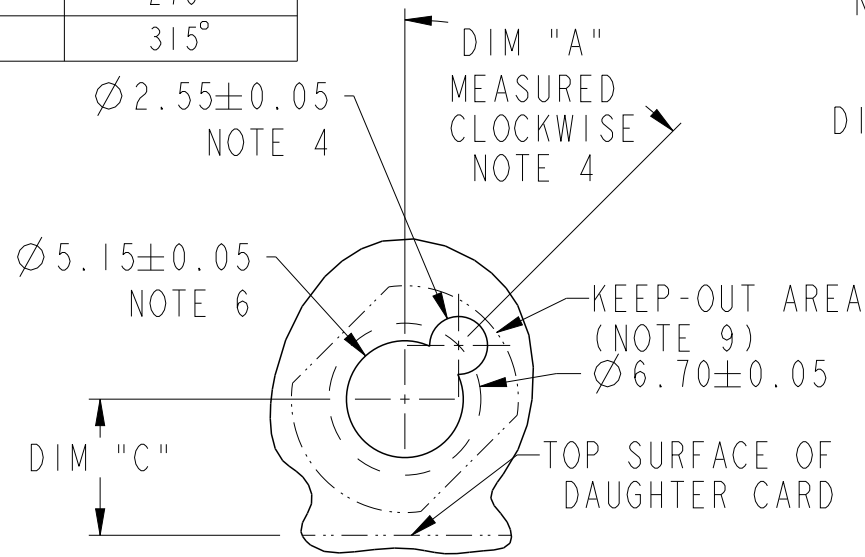


Copyright FCI.

spec ref -		dr Kou Xu 2014/07/08		projection 	MM ←→	size A4	scale 3:1
tolerance std ASME Y14.5		eng Kou Xu 2014/07/13				ecn no -	
-		chr -				rel level Released	
appr Collins Lu 2014/07/13		product family AirMax Accessories			rev A		
surface 3.200 linear ASME Y14.5	0.X	±0.3	 www.fci.com	title 10.8mm GUIDE PIN INTERNAL THREAD		dwg no 10130758	
	0.XX	±0.10					
	0.XXX	±0.05					
angular	0°	±2°	cat. no. -	Product - Customer Drw		sheet 1 of 3	

ProE File - REV C - 2009-06-09

10.8 MM RECEPTACLE GUIDE MODULE NOTE 4	DIM "A"
10037912-1X1LF	0°
10037912-1X2LF	45°
10037912-1X3LF	90°
10037912-1X4LF	135°
10037912-1X5LF	180°
10037912-1X6LF	225°
10037912-1X7LF	270°
10037912-1X8LF	315°



RECOMMENDED PCB LAYOUT (DRILLING)
NOTES 4, 5 & 6
SCALE 3:1

RECOMMENDED PCB LAYOUT (MILLING)
NOTE 4, 5 & 6
SCALE 3:1

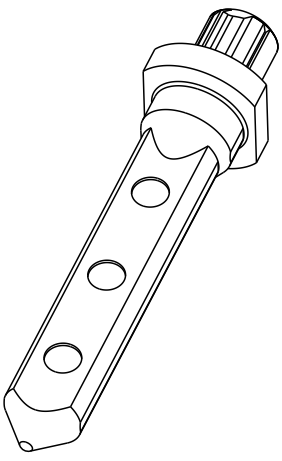
spec ref	-	dr	Kou Xu	2014/07/08	projection	MM	size	A4	scale	3:1
tolerance std	ASME Y14.5	eng	Kou Xu	2014/07/13			ecn no	-	rel level	Released
TOLERANCES UNLESS OTHERWISE SPECIFIED		chr	-	-						
surface	✓	appr	Collins Lu	2014/07/13	product family	-	rev	10130758	A	
ASME Y14.5	linear	0.X	±0.3		title	10.8mm GUIDE PIN INTERNAL THREAD	cat. no.	-	Product - Customer Drw	sheet 2 of 3
		0.XX	±0.10							
		0.XXX	±0.05							
	angular	0°	±2°	www.fci.com						

Pro/E File - REV C - 2009-06-09



Copyright FCI.

PRODUCT NUMBER	DIM "B"	DIM "C" 4/5 PAIR	DIM "C" 2/3 PAIR	DIM "D"
10130758-101LF	5.70	6.00	4.50	6.60
10130758-102LF	2.75	6.00	4.50	4.10
10130758-103LF	3.20	6.00	4.50	4.10
10130758-104LF	2.40	6.00	4.50	4.10



1. MATERIAL: ZINC ALLOY
2. FINISH: ZINC YELLOW CHROMATE
3. APPLICATION SPECIFICATION: GS-20-045
- ④. KEY HOLE ORIENTATION (DIM "A") WILL BE DEFINED BY THE MATING RECEPTACLE GUIDE MODULE PART NUMBER - SEE TABLE (ORIENTATION SHOWN IS FOR 10037912-1X2LF)
- ⑤. REFER TO CUSTOMER DRAWING 10035911 FOR INFORMATION REGARDING PCB LAYOUT OF POWER AND GUIDE MODULES RELATIVE TO SIGNAL MODULES
- ⑥. THRU HOLE PLATING AND ANNULAR RINGS MUST BE ADDED IN APPLICATIONS THAT USE THE ESD GROUNDING OPTION FINISHED HOLE SIZE IS THE SAME REGARDLESS OF PLATED BARREL OR NOT.
7. THIS PRODUCT MEETS EUROPEAN UNION DIRECTIVES AND OTHER COUNTRY REGULATIONS AS DESCRIBED IN GS-22-008.
8. PACKAGING MEETS GS-14-920 LEAD FREE LABELING SPECIFICATION.
- ⑨. KEEP OUT ZONE MATCH PROFILE OF SEATED GUIDE PIN, SEE SHEET 1 FOR REFERENCE DIMENSIONS OF GUIDE PIN OUTLINE.



spec ref		-		dr	Kou Xu	2014/07/08	projection	MM	size	A4	scale	3:1	
tolerance std	ASME Y14.5	TOLERANCES UNLESS OTHERWISE SPECIFIED				eng			Kou Xu	2014/07/13	ecn no	-	
						chr			-	-			
surface		3.2	linear	0.X	±0.3	FCI	title	10.8mm GUIDE PIN	dwg no	10130758	rev	A	
			angular	0°	±2°								
ASME Y14.5													
www.fci.com				cat. no.	-	Product - Customer Drw			sheet 3 of 3				

Print File - REV C - 2009-06-09

Copyright FCI.