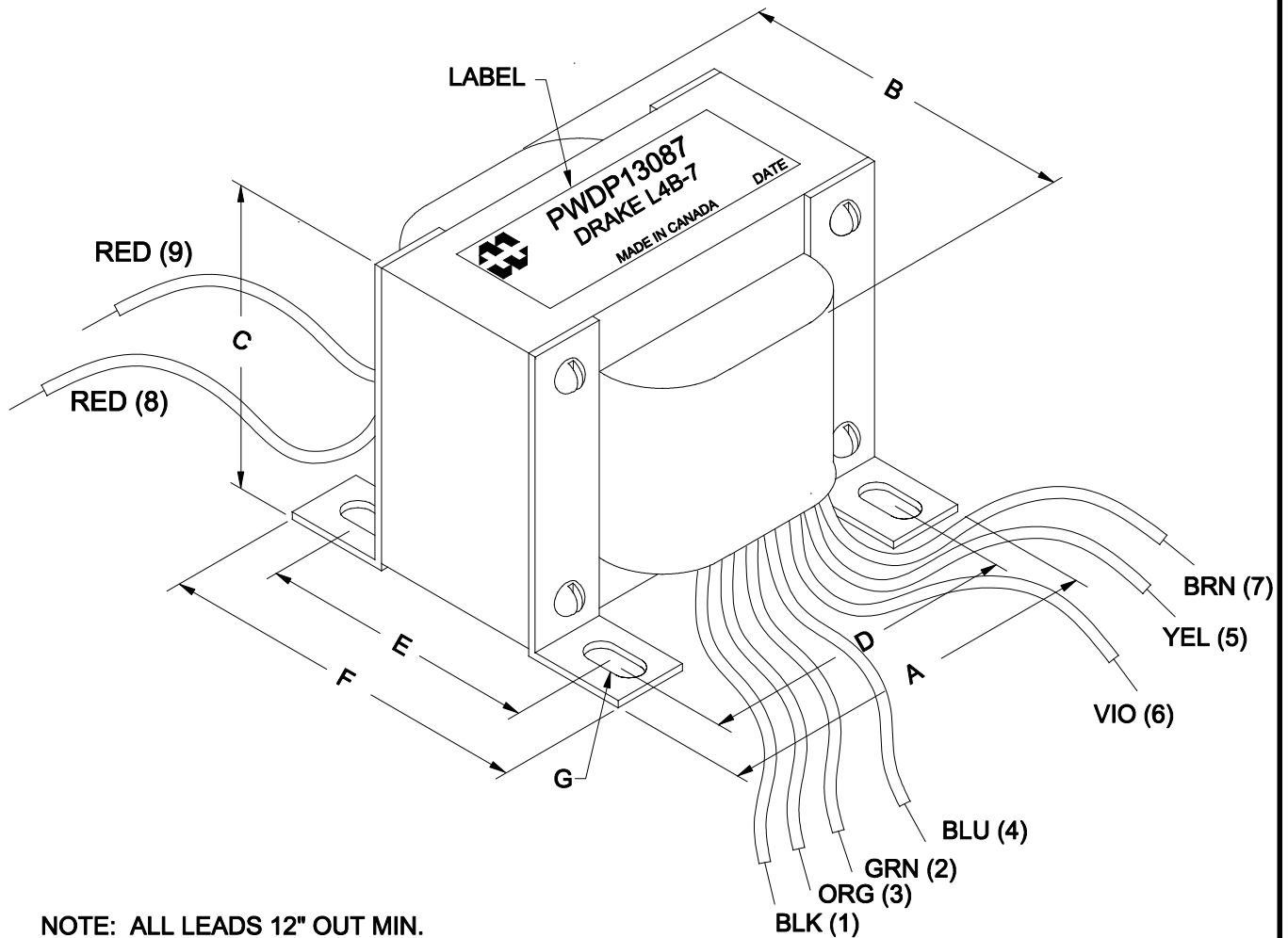
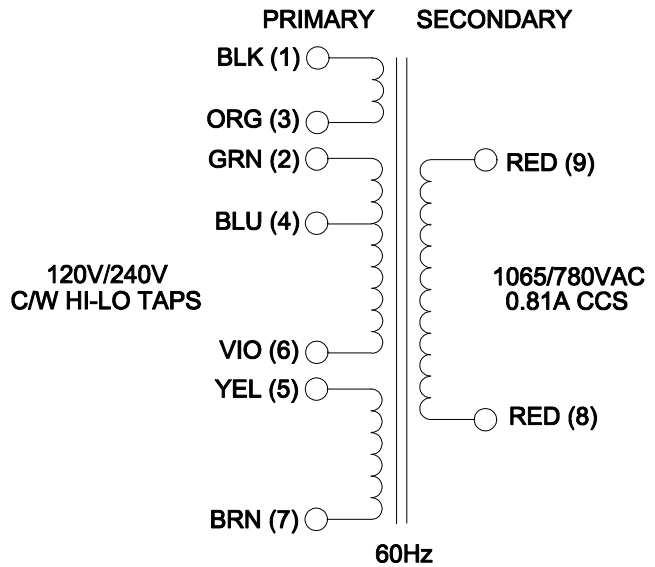


DIMENSIONS:	
A	6.375" ±0.063
B	5.625" ±0.125
C	5.313" ±0.063
D	5.313" ±0.063
E	4.125" ±0.063
F	5.250" ±0.063
G	0.281" X 0.563" ±0.015



NOTE: ALL LEADS 12" OUT MIN.



ELECTRONIC DIVISION
52 RANKIN PLACE,
WATERLOO, ONTARIO, N2J 3Z5
PH # (519) 886-6181
FAX # (519) 886-9540

TITLE

DRAKE L4B-7

NO	DATE	REVISION	DWG. BY
0	10/19/16	RELEASED.	C.I.
			DATE
			10/19/16
			DIM IN()MM()

PWDP13087

HOOK UP INFORMATION:

FOR INPUT VOLTAGE 120V LO:

- JUMPER BLK (1) & GRN (2)
- JUMPER ORG (3) & BLU (4) & YEL (5)
- JUMPER BRN (7) & VIO (6)

INPUT VOLTAGE: BRN (7) TO BLK (1)

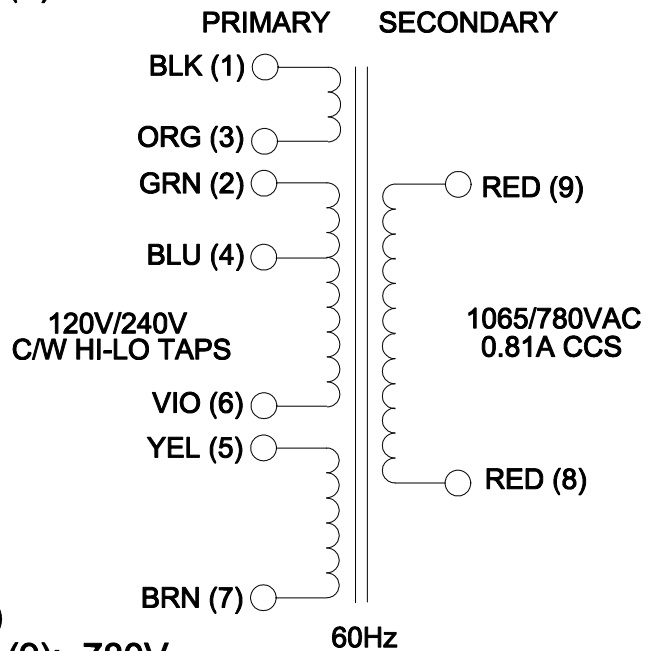
OUTPUT VOLTAGE: RED (8) TO RED (9): 780V

FOR INPUT VOLTAGE 120V HI:

- JUMPER BLK (1) & GRN (2)
- JUMPER ORG (3) & BLU (4) & YEL (5)
- JUMPER BRN (7) & VIO (6)

INPUT VOLTAGE: BRN (7) TO BLU (4)

OUTPUT VOLTAGE: RED (8) TO RED (9): 1065V



FOR INPUT VOLTAGE 240V LO:

- JUMPER GRN (2) & ORG (3)
- JUMPER YEL (5) & VIO (6)
- BLU (4): NO CONNECTION

INPUT VOLTAGE: BRN (7) TO BLK (1)

OUTPUT VOLTAGE: RED (8) TO RED (9): 780V

FOR INPUT VOLTAGE 240V HI:

- JUMPER GRN (2) & ORG (3)
- JUMPER YEL (5) & VIO (6)
- BLK (1): NO CONNECTION

INPUT VOLTAGE: BRN (7) TO BLU (4)

OUTPUT VOLTAGE: RED (8) TO RED (9): 1065V



ELECTRONIC DIVISION
 52 RANKIN PLACE,
 WATERLOO, ONTARIO, N2J 3Z5
 PH # (519) 886-6181
 FAX # (519) 886-9540

TITLE
DRAKE L4B-7

NO	DATE	REVISION	DWG. BY
0	10/19/16	RELEASED. C.I.	C. ILIE
			DATE
			10/19/16
			DIM IN()MM()

PWDP13087