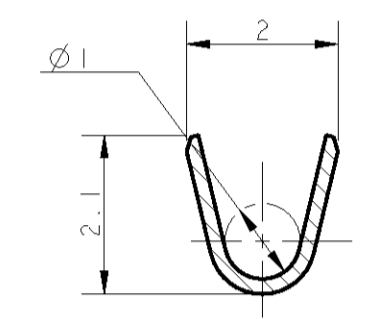
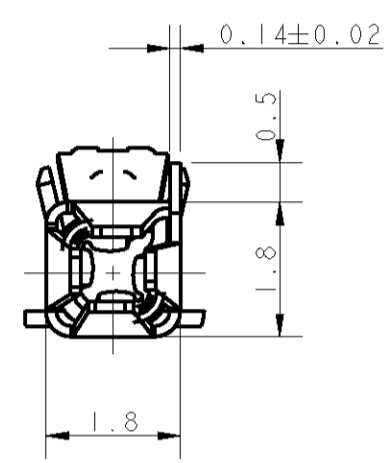
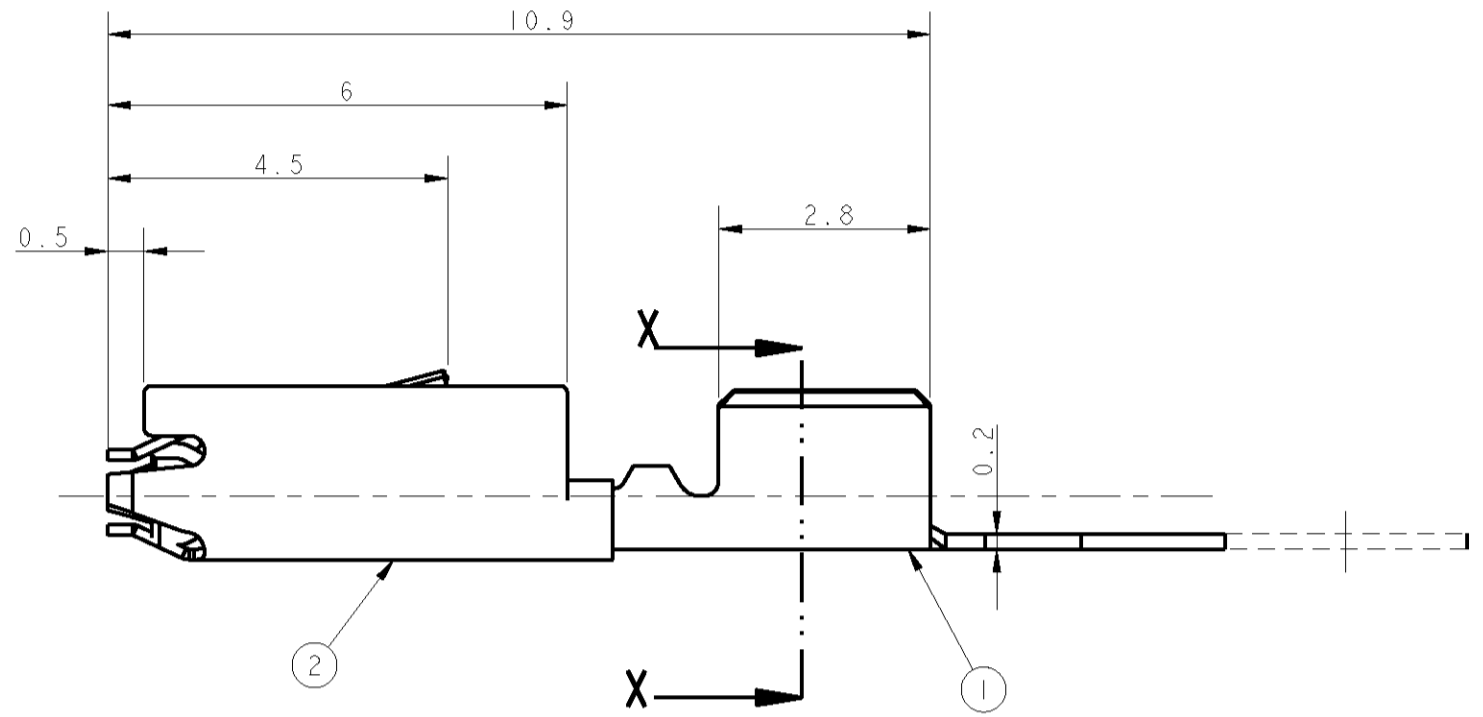
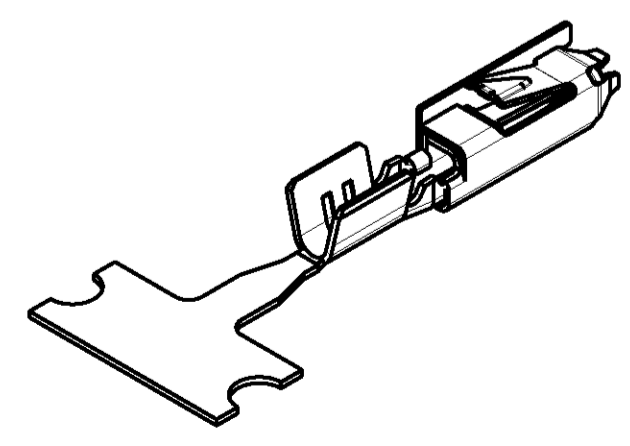
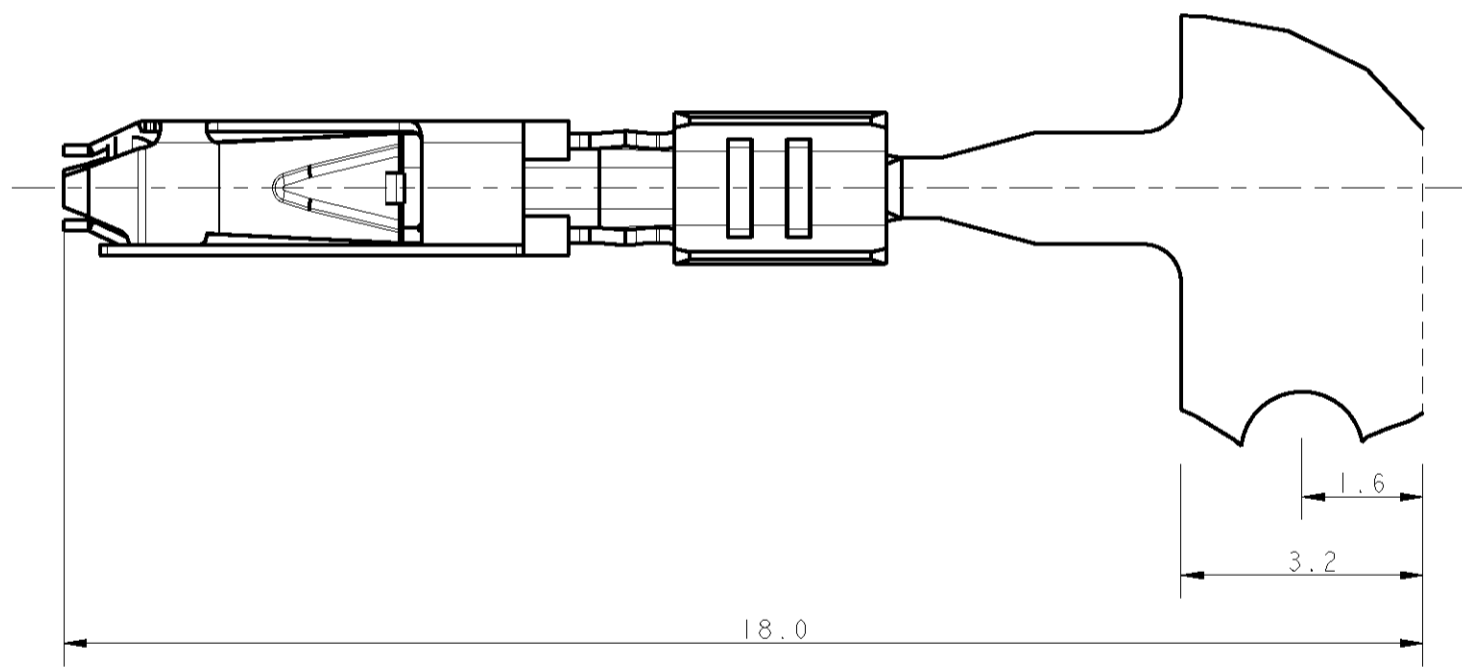


THIS DRAWING IS UNPUBLISHED. RELEASED FOR PUBLICATION  
 © COPYRIGHT 2007 BY TYCO ELECTRONICS CORPORATION. ALL RIGHTS RESERVED.

LOC	DIST	REVISIONS			
P	LTR	DESCRIPTION	DATE	DWN	APVD
C		Redrawn; add-4 and -6; new spring design	11SEP2008	AV	GT
CI		Revised documentation ECR09-002001	28JAN2009	AV	GT
D		Changed spring design	04FEB2010	AV	GT
E		UPDATED PART REVISION	24FEB2011	AV	GT



SECTION X-X



MASSTAB 5:1

Bemerkungen  
NOTES

1. Passend zu Stiftkontakt siehe Zeichnung: AMP:1740335  
SUITABLE FOR PIN CONTACT SEE DRAWING:
2. Kontakt geeignet für Drahtgrößenbereich 0.5...0.75mm<sup>2</sup>  
CONTACT ACCEPTS WIRE-SIZE 0.5...0.75mm<sup>2</sup>
3. Halbautomatisches Werkzeug und Handzange  
(je für 2 crimps in einem Durchgang) verfügbar  
SEMI-AUTOMATIC TOOL AND HANDTOOL  
(EACH FOR 2 CRIMPS IN ONE CYCLE) AVAILABLE:
4. Abmantellänge für crimp ist 3,5 mm  
STRIPPED CABLE LENGHT FOR CRIMP IS 3.5mm
5. Gewicht ca. 0,12g  
WEIGHT ABOUT 0.12g
6. Werkzeugvorschub 7,0 mm  
DIE FEED 7,0 mm
7. Aufgerollt auf Kartonspule  
REELED ON PAPER-REEL

9	PART NO	REV	POS	DESCRIPTION	MATERIAL	FINISH OF CONTACT AREA
9	1740336-7	E	2	SPRING	X10CrNi 18 8	
			1	BODY	CuNiSi	GOLD PLATED
9	1740336-4	E	2	SPRING	X10CrNi 18 8	
			1	BODY	CuNiSi	TIN PLATED
9	1740336-1	E	2	SPRING	X10CrNi 18 8	
			1	BODY	CuNiSi	BLANK

DIRECTION OFF TOP OF REEL	THIS DRAWING IS A CONTROLLED DOCUMENT FOR TYCO ELECTRONICS CORPORATION IT IS SUBJECT TO CHANGE AND THE CONTROLLING ENGINEERING ORGANIZATION SHOULD BE CONTACTED FOR THE LATEST REVISION		DWN	PRAVEEN	24 APR 06	Tyco Electronics Tyco Electronics AMP GmbH 64625 Bensheim (Germany)
	Fertig-zustand		CHK	S. SKADE	24 APR 06	
M 1:1	DIMENSIONS:	TOLERANCES UNLESS OTHERWISE SPECIFIED:	APVD	T. GERLACH	24 APR 06	NAME MICRO QUADLOK SYSTEM SOCKET CONTACT
	mm	0 PLC ±- 1 PLC ±0.2 2 PLC ±- 3 PLC ±- 4 PLC ±- ANGLES ±- FINISH ±-	PRODUCT SPEC	108-94018	SIZE	
SEE TABLE	MATERIAL	SEE TABLE	APPLICATION SPEC	114-18751	CAGE CODE	A200779
			WEIGHT	-	DRAWING NO	1740336
			CUSTOMER DRAWING		RESTRICTED TO	-
			SCALE	10.1	SHEET	1 OF 1
					REV	E