

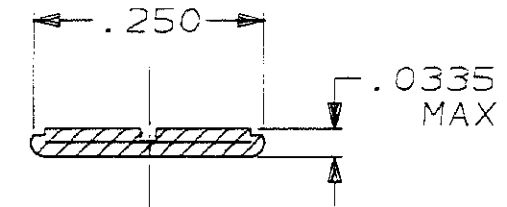
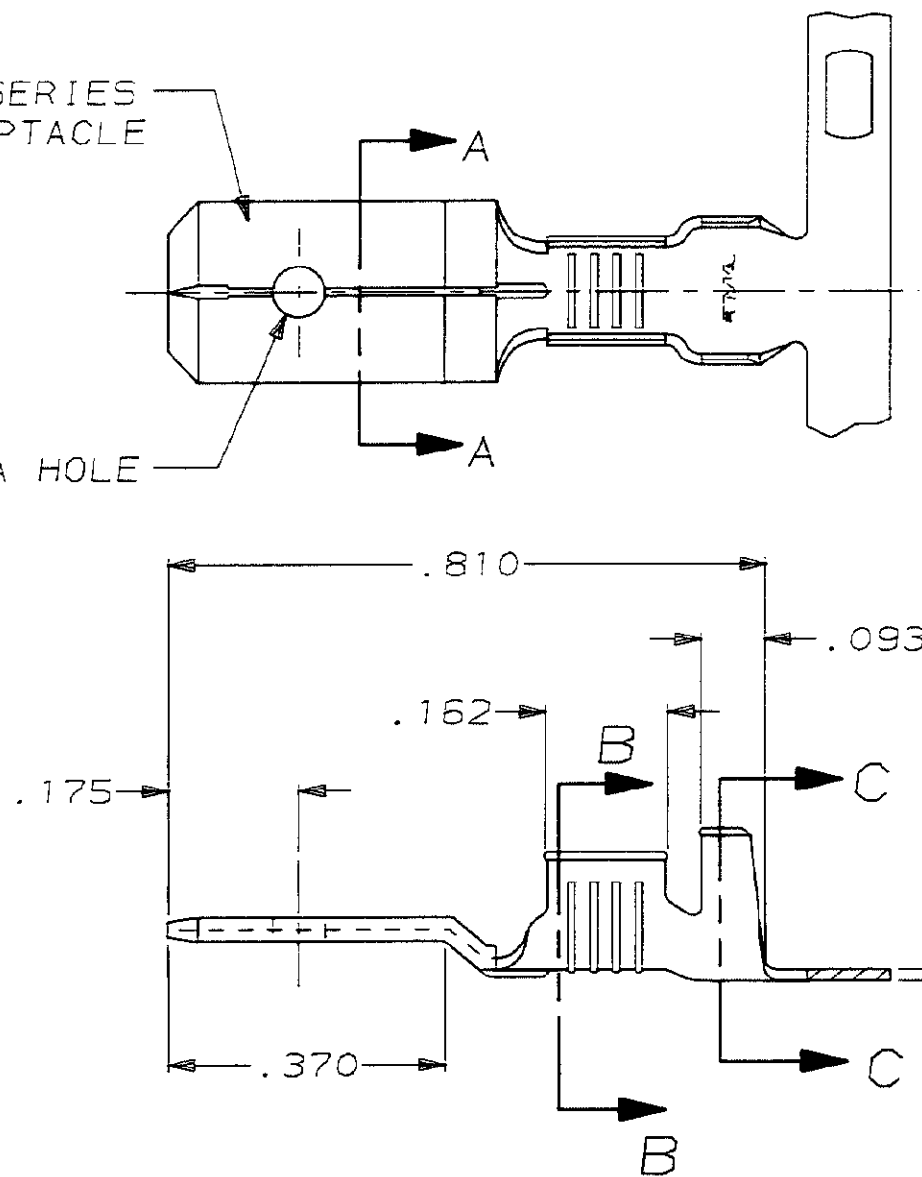
THIS DRAWING IS UNPUBLISHED. RELEASED FOR PUBLICATION
 © COPYRIGHT 19 BY AMP INCORPORATED. ALL INTERNATIONAL RIGHTS RESERVED.

LOC	DIST	P	F	ZONE	LTR	REVISIONS	DATE	APPD
AF	50				F	REDRAWN AF-7183	1/31/91	JR/MF

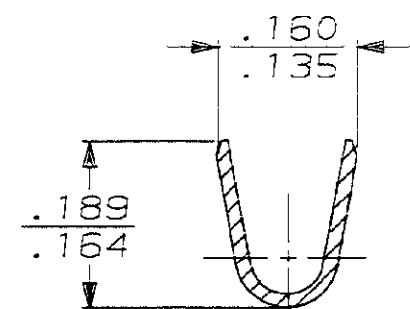
1 CONTINUOUS STRIP ON REELS.

FITS .250 SERIES FASTON RECEPTACLE

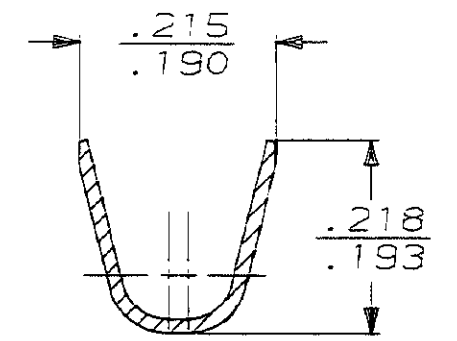
.075
.060 DIA HOLE



SECTION A-A
SCALE 5:1



SECTION B-B
SCALE 5:1



SECTION C-C
SCALE 5:1

OBSELETE	TIN .000080 MIN	.110-.170 DIA	14-12 AWG	61362-3
	SILVER .000150 MIN			61362-2
OBSELETE				61362-1
	FINISH	INSULATION RANGE	WIRE SIZE	PART NO
DO NOT SCALE PRINT. UNLESS SPECIFIED DIMENSIONS ARE IN INCHES TOLERANCES ON: 2 PLC DEC = - 3 PLC DEC = .015 ANGLES = -	DR 1/31/91 JR RUTH CHK 1/31/91 MS FEHER APPD 1/31/91 C MEYERS APPD 1/31/91 D REINER PRODUCT SPEC - APPLICATION SPEC - WEIGHT -		AMP AMP Incorporated Harrisburg, PA 17105-3608	
MATERIAL #2H BRASS			NAME TAB, FASTON,™ .250 SERIES	
FINISH SEE TABLE		SIZE B	CAGE CODE 00779	DRAWING NO 61362
		SCALE 4:1	SHEET 1 OF 1	