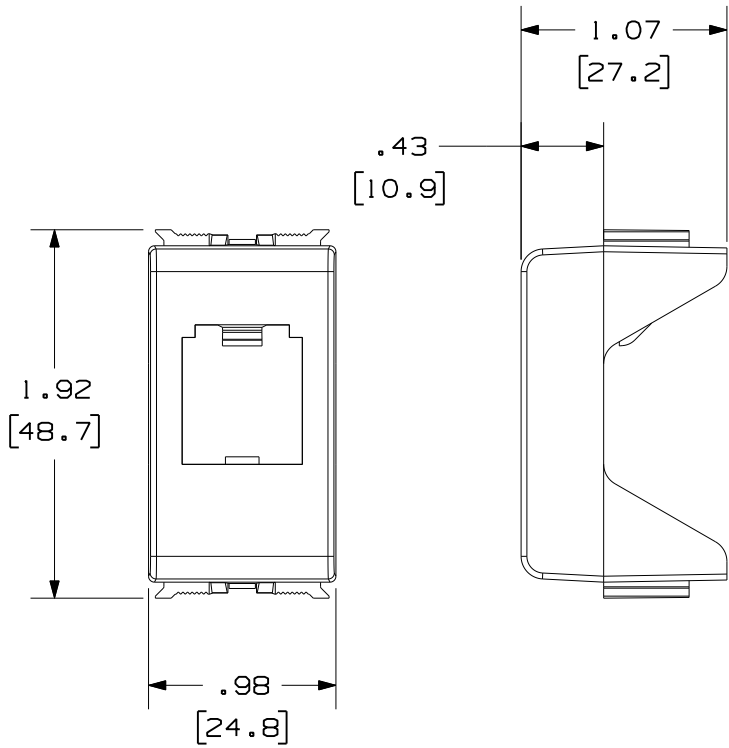


THIS COPY IS PROVIDED ON A RESTRICTED BASIS AND IS NOT TO BE USED IN ANY WAY DETRIMENTAL TO THE INTERESTS OF PANDUIT CORP.

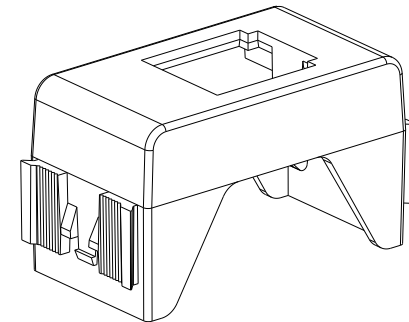


PANDUIT P/N	WEIGHT
CGA**-X	.15 LB/10 PCS (67.0 g/10 PCS)



NOTES:

1. SEE CURRENT CATALOG FOR ADDITIONAL PART NUMBER SUFFIXES TO INDICATE COLOR AND OR PACKAGE QUANTITY.
2. SEE CATALOG FOR COMPLETE LIST OF PARTS APPLICABLE FOR USE WITH THIS PART.
3. DIMENSIONS IN PARENTHESES ARE IN METRIC.
4. MATERIAL: POLYCARBONATE



PART NUMBER	CGA**-X	PRODUCT SPEC/PKG SPEC	N/A
I.I. NUMBER	N/A	WORK INSTRUCTION	N/A

TITLE	
MINI-COM GEWISS FACEPLATE ADAPTER	
CUSTOMER DRAWING	
ITEM REVISION NAME	M00047BA/02.PRT

DATASET FILE NAME	M00047BA_DC/02C.PRT	PANDUIT TM
UNLESS OTHERWISE SPECIFIED, DIMENSIONAL TOLERANCES ARE: IN [mm]		

.x : .1 [2.54]	.xxx : .005 [.127]	THIRD ANGLE PROJECTION
.xx : .01 [.25]	ANGLES : 5 °	
DRAWING NUMBER:		00047-02

REV	DATE	BY	CHK	APR	DESCRIPTION	ECN
2	11-14-12	BJN	JSP	JSP	B. UPDATED DWG FORMAT TO REFLECT CURRENT LOGO	00047-02
1	7-10-07	JSP	TCK	TCK	A. ADDED "**-X" TTO PART NUMBER	00047-02
R	1-25-99	JSP	PBD	PBD	RELEASED TO PRODUCTION	00047-02

REV	DATE	BY	CHK	APR	DESCRIPTION	ECN	DRAWN BY	DATE	CHK	SCALE	SHT 1 OF 1	SIZE
							JSP	1-25-99	PBD	NONE		A