

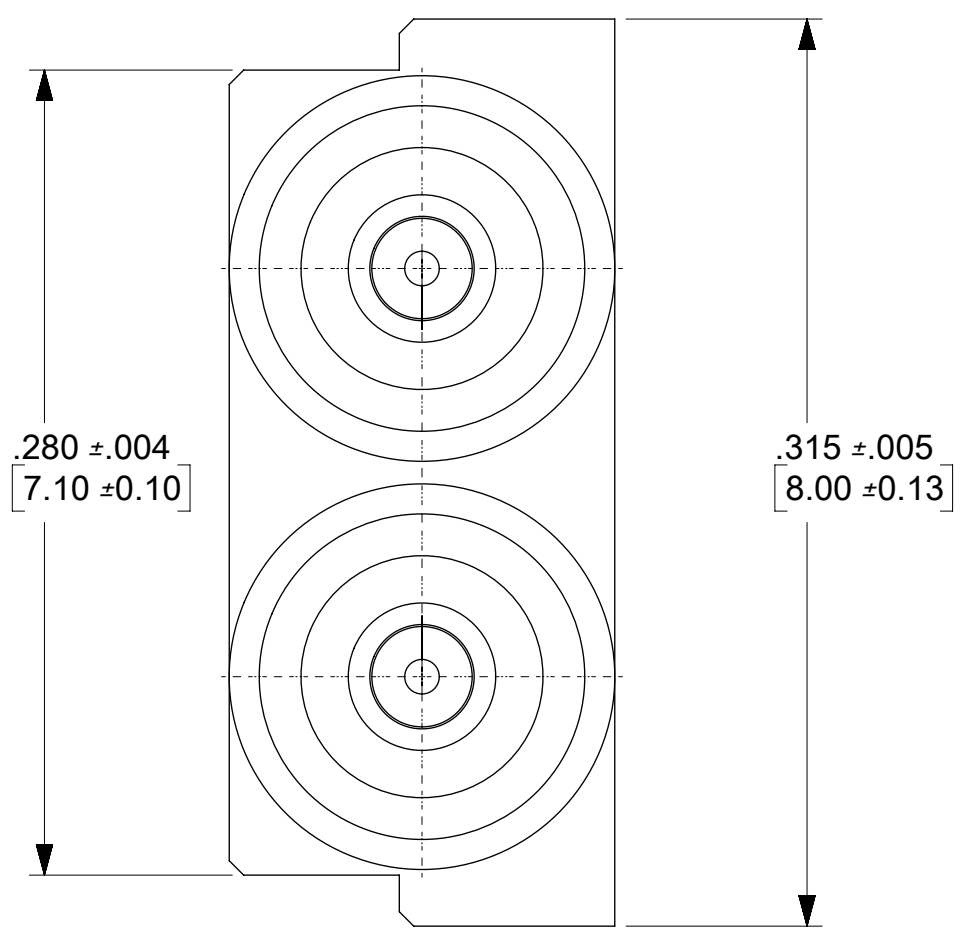
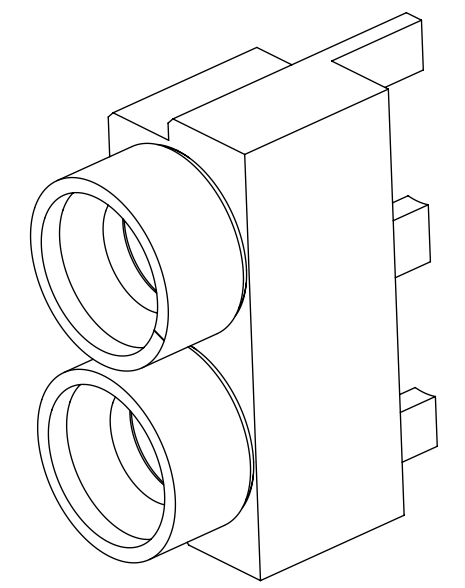
MATERIALS AND FINISHES

BODY & HOUSING: BRASS  
 PLATED GOLD (30μ-in MIN)  
 OVER NICKEL (100μ-in MIN)

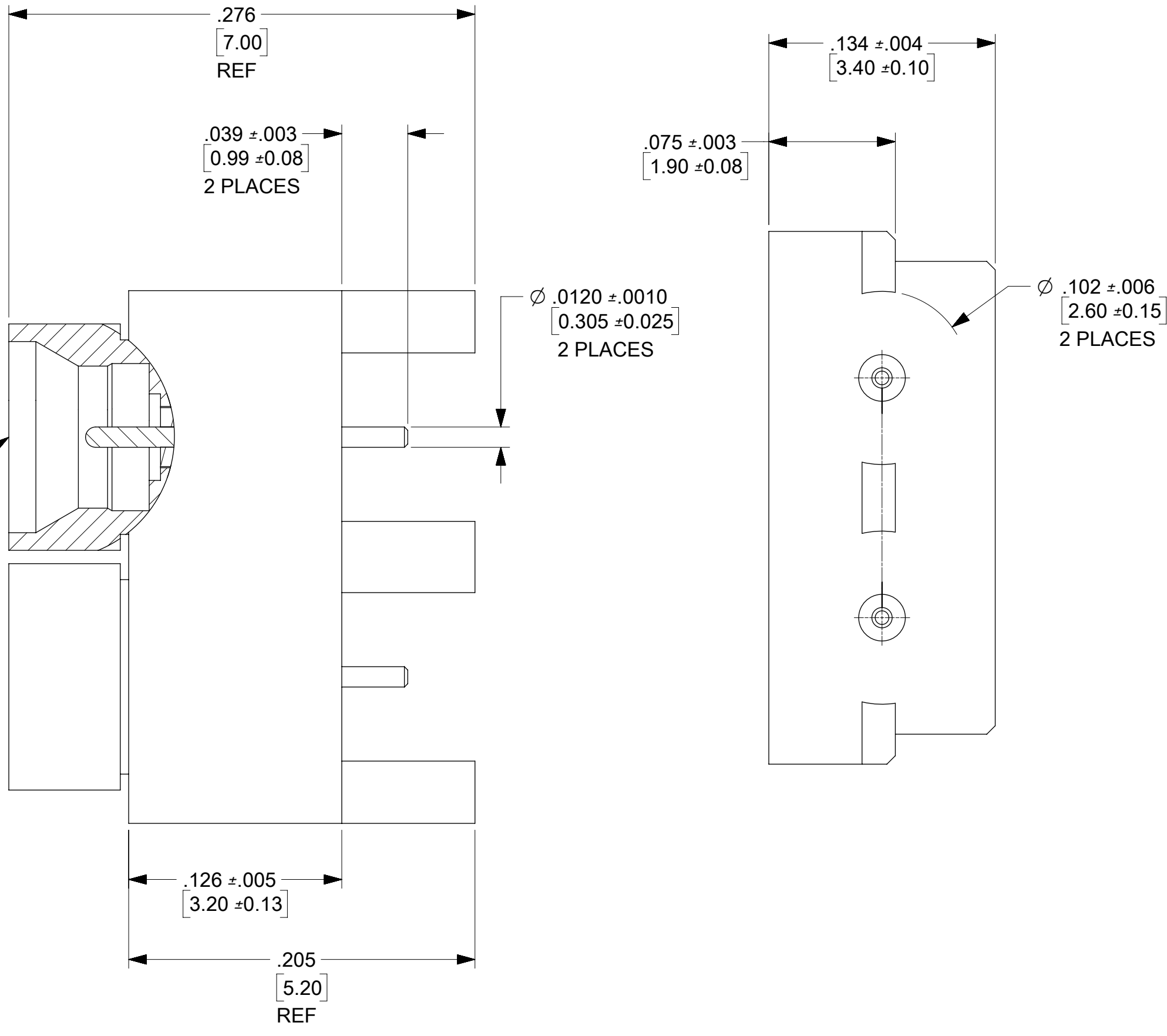
CONTACT: BERYLLIUM COPPER  
 PLATED GOLD (30μ-in MIN)  
 OVER NICKEL (100μ-in MIN)

INSULATOR: PTFE

PACKAGE PER TABLE



SMPM FULL  
 DETENT INTERFACE  
 2 PLACES



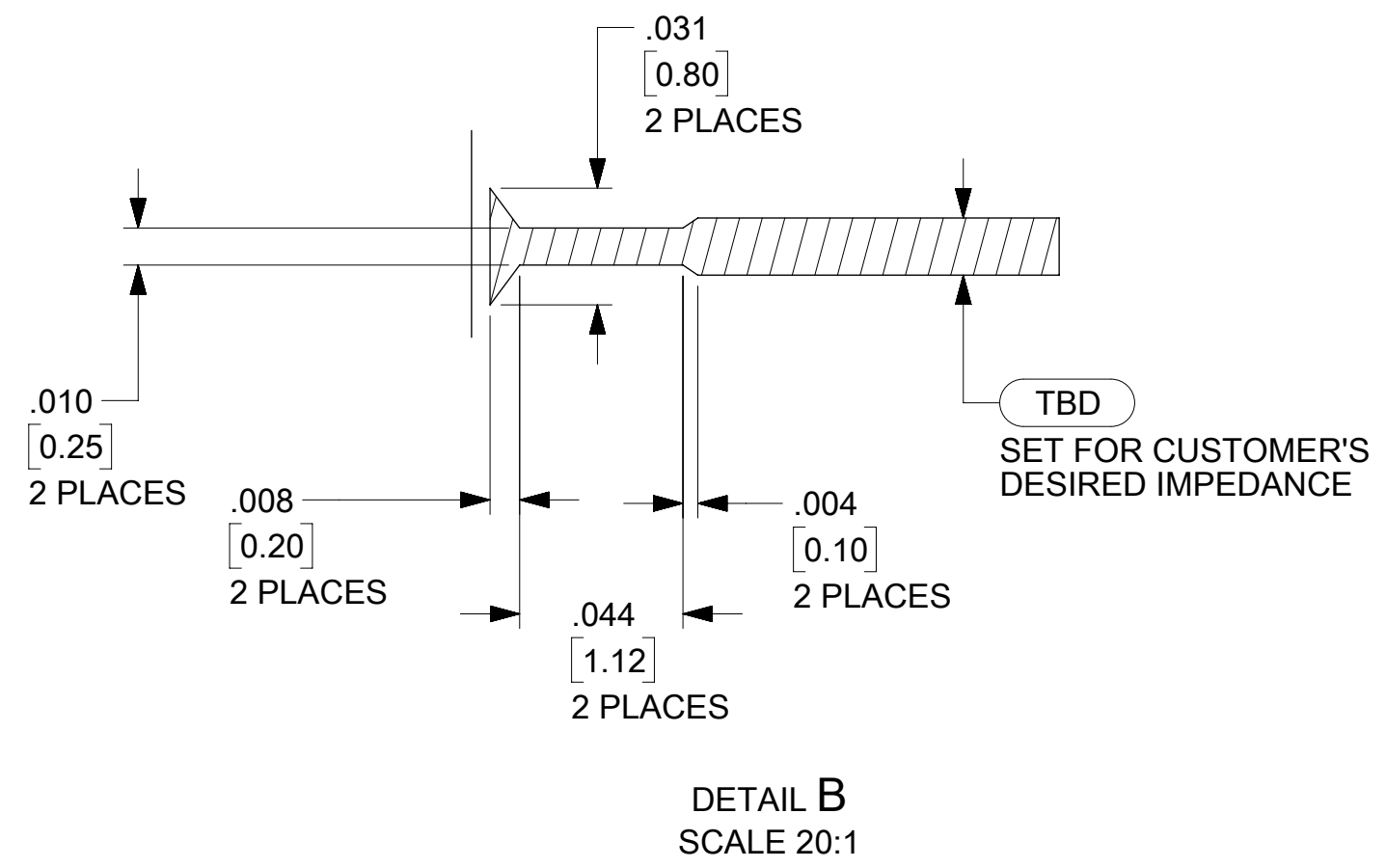
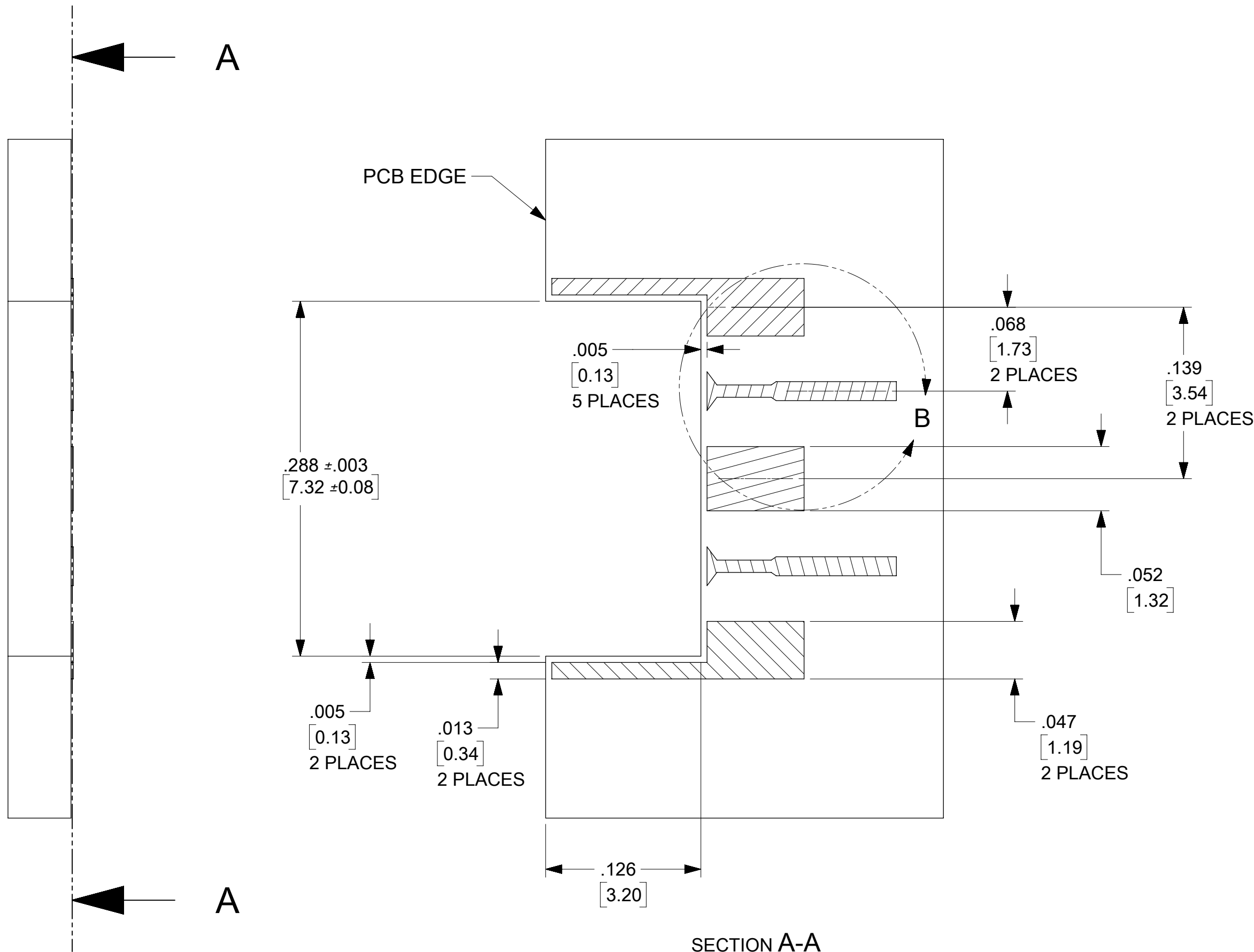
PS-89675-3730	PRODUCT SPEC.
MIL-STD-348B, FIG. 328.2	INTERFACE
SPECIFICATION	DESCRIPTION

73300-5011	TAPE & REEL
73300-5010	TRAY
PART NUMBER	PACKAGING

QUALITY SYMBOLS ▽ = 0 ▽ = 0 ▽ = 0 ▼ = 0 ▽ = 0 ⊠ = 0 ■ = 0 ▽ = 0	THIS DRAWING CONTAINS INFORMATION THAT IS PROPRIETARY TO MOLEX ELECTRONIC TECHNOLOGIES, LLC AND SHOULD NOT BE USED WITHOUT WRITTEN PERMISSION	DIMENSION UNITS INCH		SCALE			
		GENERAL TOLERANCES (UNLESS SPECIFIED)		DRWN BY BSHAH	DATE 2015/09/08		
		4 PLACES ±	MM INCH	CHK'D BY		DATE	
		3 PLACES ± ± 0.01 2 PLACES ± 0.25 ± 1 PLACES ± ± 0 PLACES ± ±	ANGULAR TOL ±	APPR BY AROBERTSON		DATE 2015/09/08	
DRAFT WHERE APPLICABLE MUST REMAIN WITHIN DIMENSIONS		DRAWING SIZE C	THIRD ANGLE PROJECTION				
EC NO: 109663 DRWN: PSWAMI02 CHKD: PSWAMI02 APPR: AROBERTSON		MIGRATED 2016/10/20 2016/12/06 2016/12/07		PRODUCT CUSTOMER DRAWING			
B2		DUAL SMPM PLUG 50 OHMS FULL DETENT INTERFACE EDGE LAUNCH SMPM-P/PCB EWR-10146-B		SERIES 73300	MATERIAL NUMBER SEE TABLE		
RELEASE STATUS		RELEASE DATE		DOCUMENT NUMBER SD-73300-501	DOC TYPE PSD		
12		11		DOC PART 000	SHEET NUMBER 1 OF 2		

NOTES

- 1) THE COPPER IS .005"/0.127mm FROM THE PCB EDGE. FOR PRODUCTION RUNS, MANY PCB HOUSES WILL REQUIRE A SPACING OF .010"/0.254mm FROM COPPER TO THE EDGE. THIS DRAWING IS A COMPROMISE BETWEEN PRODUCTION NEEDS AND OPTIMAL PERFORMANCE.
- 2) THE TRACEWIDTH SHOWN AS TBD SHOULD BE SET BY THE CUSTOMER IN ORDER TO MEET IMPEDANCE REQUIREMENTS.
- 3) THE PADS ARE RECOMMENDATIONS FOR OPENINGS IN THE SOLDERMASK. COPPER MAY EXTEND BEYOND THE PADS SHOWN. PINNING VIAS TO GROUND MUST ALSO BE ADDED AS NEEDED BY THE CUSTOMER.



SECTION A-A

DETAIL B  
SCALE 20:1

QUALITY SYMBOLS ▽ = 0 ▽ = 0 ▽ = 0 ▽ = 0 ▽ = 0 ▽ = 0 ▽ = 0 ▽ = 0 ▽ = 0	THIS DRAWING CONTAINS INFORMATION THAT IS PROPRIETARY TO MOLEX ELECTRONIC TECHNOLOGIES, LLC AND SHOULD NOT BE USED WITHOUT WRITTEN PERMISSION				
	EC NO: 109663 DRWN: PSWAMI02 CHKD: PSWAMI02 REV: APPR: AROBERTSON	GENERAL TOLERANCES (UNLESS SPECIFIED)		DIMENSION UNITS: INCH	SCALE:
		4 PLACES ±	MM INCH	DRWN BY: BSHAH	DATE: 2015/09/08
		3 PLACES ± ± 0.01 2 PLACES ± 0.25 ± 1 PLACES ± ± 0 PLACES ± ±		CHK'D BY:	DATE:
	ANGULAR TOL ±	DRAWING SIZE: C	THIRD ANGLE PROJECTION:	APPR BY: AROBERTSON DATE: 2015/09/08	
	DRAFT WHERE APPLICABLE MUST REMAIN WITHIN DIMENSIONS			PRODUCT CUSTOMER DRAWING	
				SERIES: 73300 MATERIAL NUMBER: SEE TABLE CUSTOMER:	
				DOCUMENT NUMBER: SD-73300-501 DOC TYPE: PSD DOC PART: 000 SHEET NUMBER: 2 OF 2	



DUAL SMPM PLUG 50 OHMS  
FULL DETENT INTERFACE EDGE LAUNCH  
SMPM-P/PCB EWR-10146-B