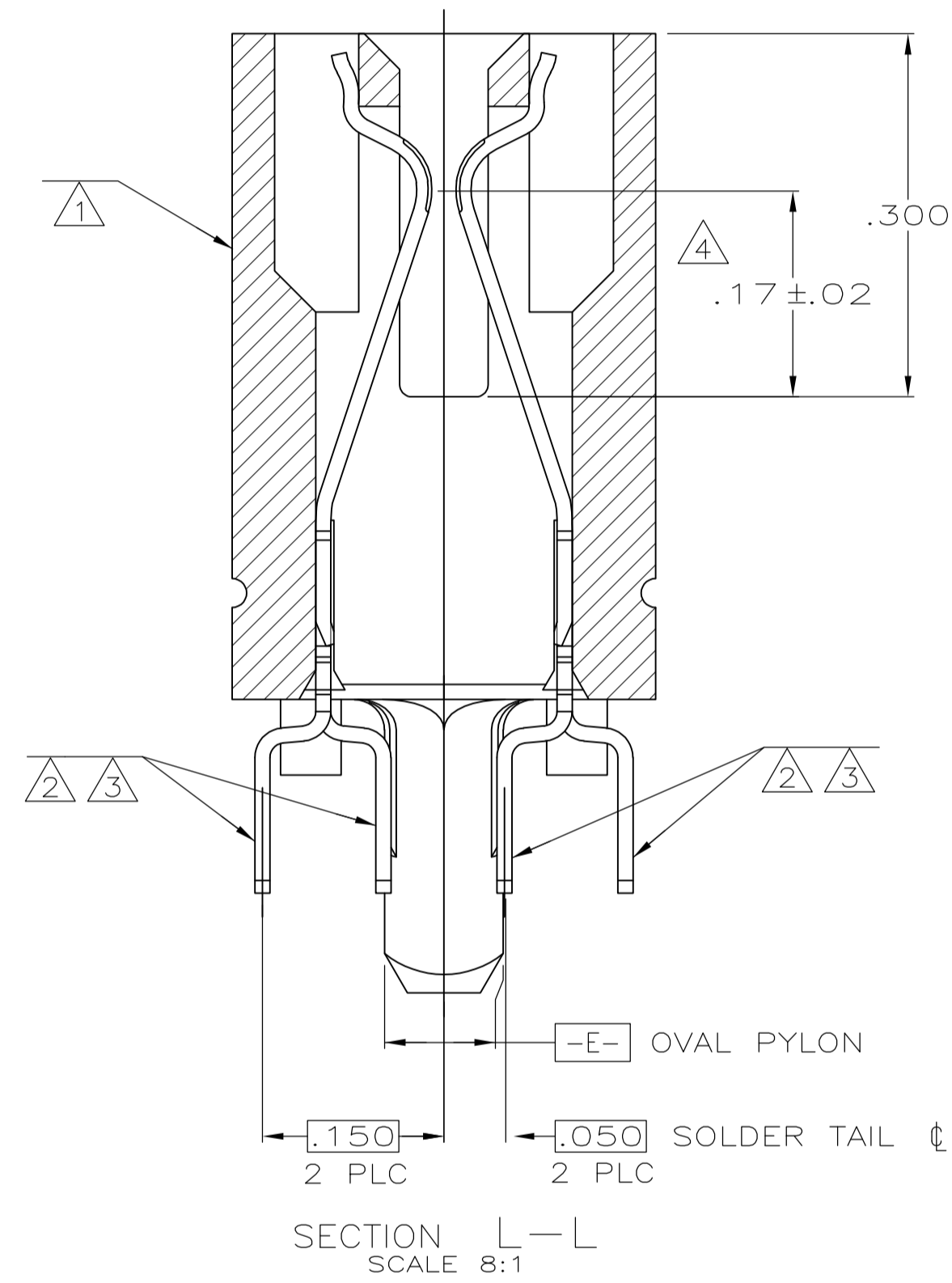
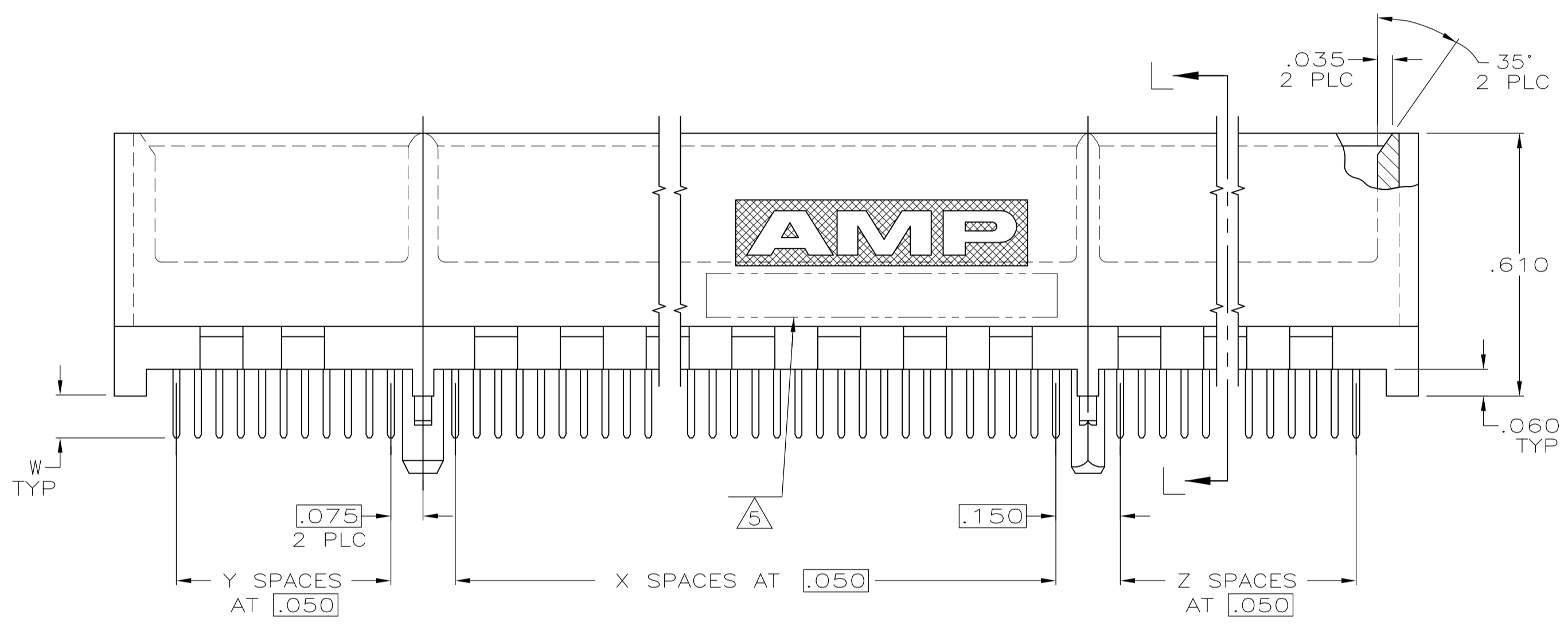
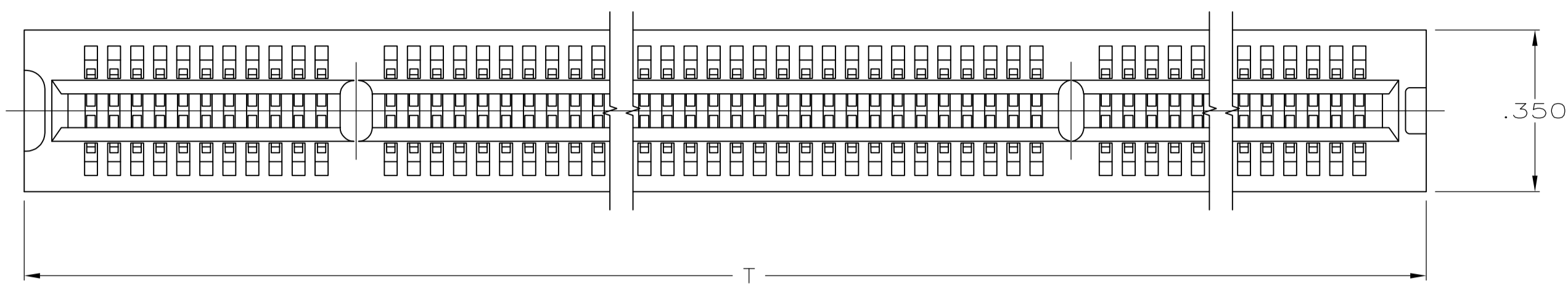
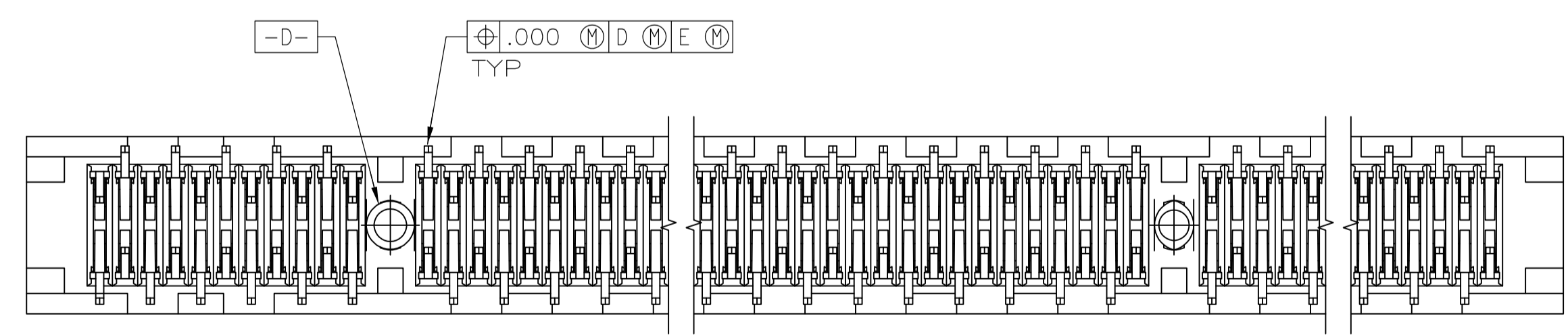


LOC		DIST		P		F		ZONE		LTR		REVISIONS			
AD	14											DESCRIPTION	DATE	APPD	
												P	REVISED PER EC 0651-0008-98	15DEC99	JG
												P1	REVISED PER ECO-10-000443	15JAN10	HMR



- ① HOUSING: HIGH TEMPERATURE THERMOPLASTIC. COLOR: BROWN.
- ② CONTACT: PHOSPHOR BRONZE.
- ③ CONTACT FINISH: .000100 MIN NICKEL ALL OVER. .000030 MIN GOLD OVER NICKEL IN CONTACT AREA. .000100 MIN TIN-LEAD OVER NICKEL ON SOLDER TAILS.
- ④ DISTANCE FROM CONTACT POINT TO BOTTOM OF CARD SLOT.
- ⑤ AMP PART NUMBER, DATE CODE AND CSA LOGO MARKED IN APPROXIMATE AREA SHOWN.
- ⑥ OBSOLETE PARTS: OBSOLETE CIS STREAMLINING PER D.RENAUD/D.SINISI

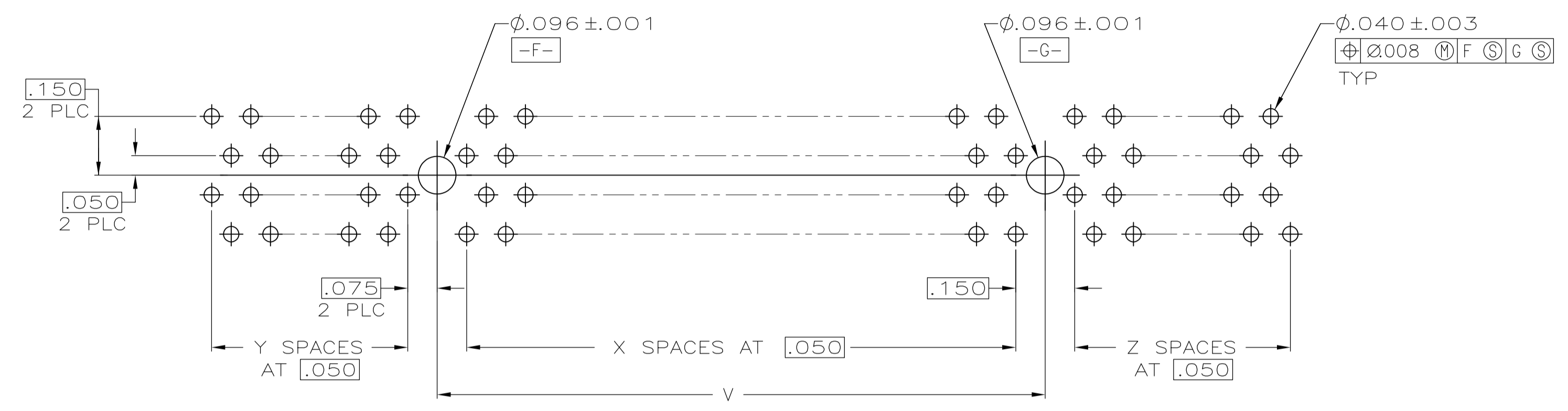


SEE SHEET 2 FOR HOLE PATTERNS

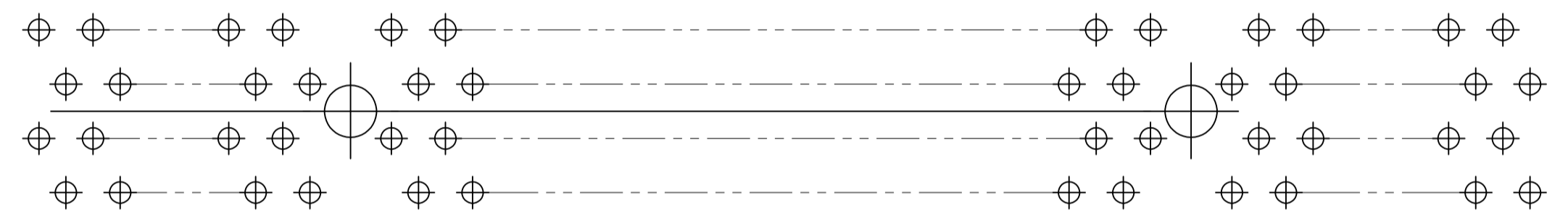
	A	2.350	3.110	3.94	.610	13	10	44	.14	70	1-650231-0
OBSOLETE	D	2.100	3.560	5.94	2.160	27	41	39	.10	110	650231-9
OBSOLETE	A	2.350	5.610	6.44	.610	63	10	44	.125	120	650231-8
⑥	C	2.350	4.060	6.44	2.160	32	41	44	.14	120	650231-7
OBSOLETE	C	2.350	4.060	6.44	2.160	32	41	44	.10	120	650231-6
OBSOLETE	A	2.350	3.110	3.94	.610	13	10	44	.10	70	650231-5
OBSOLETE	B	2.350	4.060	6.44	2.160	32	41	44	.10	120	650231-4
OBSOLETE	A	2.350	4.910	5.74	.610	40	10	44	.10	106	650231-3
⑥	A	2.350	5.610	6.44	.610	63	10	44	.10	120	650231-2
OBSOLETE	A	2.350	5.610	6.44	.610	63	10	44	.14	120	650231-1
	HOLE PATTERN	V	U	T	S	Z	Y	X	W	NO OF DUAL POSN	PART NUMBER

DO NOT SCALE PRINT. UNLESS SPECIFIED DIMENSIONS IN mm [INCHES] TOLERANCES ON : 2 PLC DEC ± .01 3 PLC DEC ± .005 ANGLES ± 2'	DR 3/22/91 K.L.CLOUSER/UTA CHK 7-22-91 M. BOWERS APPD 7-22-91 M. BOWERS	AMP Incorporated Harrisburg, PA 17105-3608 NAME CONNECTOR ASSEMBLY, DUAL POSITION, .050 SERIES, STANDARD EDGE
MATERIAL HOUSING: ① CONTACT: ②	APPD 7-23-91 M. THUMMA PRODUCT SPEC 108-14034	
FINISH CONTACT: ③	APPLICATION SPEC 114-26012	
SIZE D	CAGE CODE 00779	DRAWING NO 650231
WEIGHT	SCALE 4:1	SHEET 1 OF 2

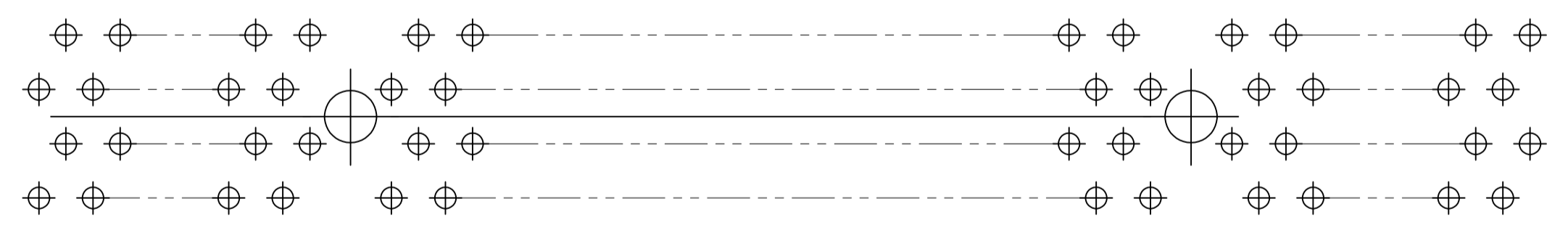
LOC		DIST		P		F		ZONE		LTR		REVISIONS			
AD	14											DESCRIPTION	DATE	APPD	
												PI	SEE SHEET 1	-	-



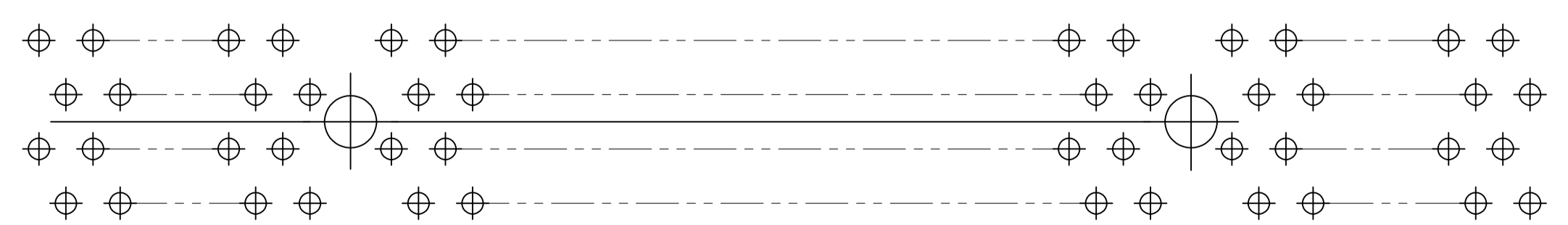
RECOMMENDED CONNECTOR MOUNTING HOLE PATTERN A
(CONNECTOR SIDE SHOWN)



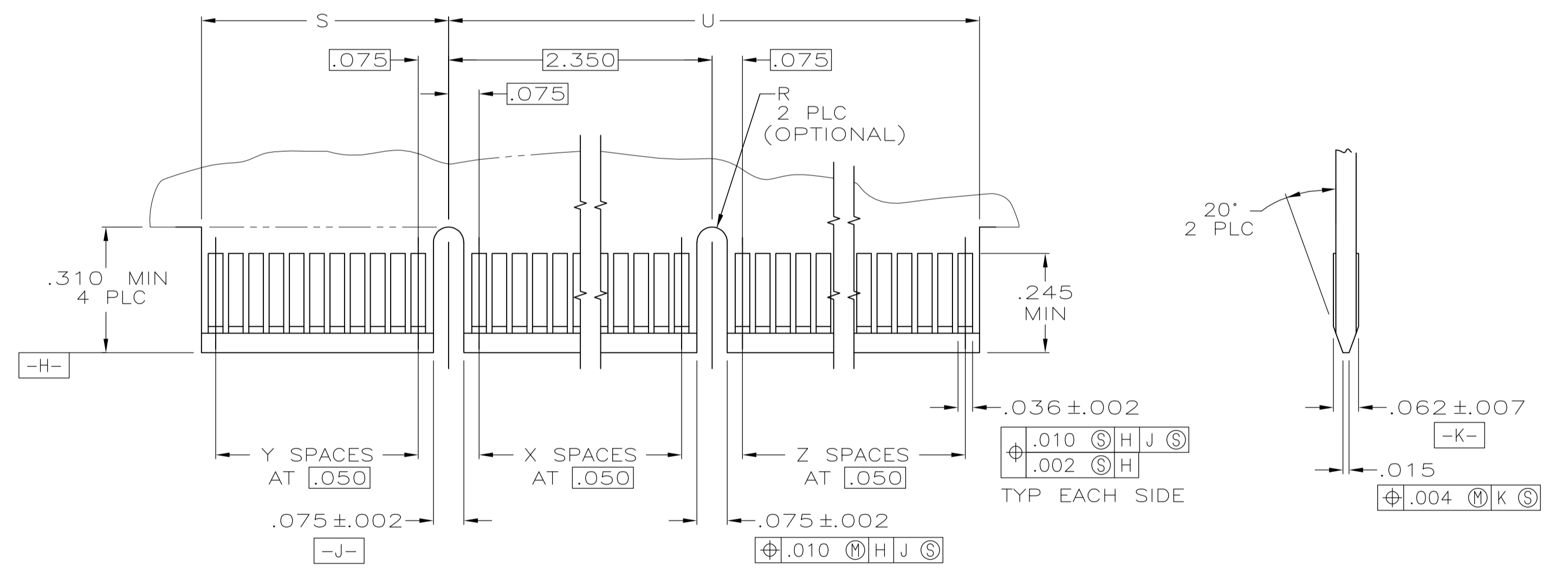
RECOMMENDED CONNECTOR MOUNTING HOLE PATTERN B
(CONNECTOR SIDE SHOWN)



RECOMMENDED CONNECTOR MOUNTING HOLE PATTERN C
(CONNECTOR SIDE SHOWN)



RECOMMENDED CONNECTOR MOUNTING HOLE PATTERN D
(CONNECTOR SIDE SHOWN)



RECOMMENDED MATING BOARD EDGE CONFIGURATION

DO NOT SCALE PRINT. UNLESS SPECIFIED DIMENSIONS IN mm [INCHES] TOLERANCES ON: 2 PLC DEC ± .01 3 PLC DEC ± .005 ANGLES ± 2'	DR 3/22/91 K.L.CLOUSER/UTA	AMP Incorporated Harrisburg, PA 17105-3608
	CHK 7-22-91 M. BOWERS	
MATERIAL HOUSING: CONTACT:	APPD 7-22-91 M. BOWERS	NAME CONNECTOR ASSEMBLY, DUAL POSITION, .050 SERIES, STANDARD EDGE
	APPD 7-23-91 M. THUMMA	PRODUCT SPEC 108-14034
FINISH CONTACT:	APPLICATION SPEC 114-26012	SIZE D 00779
	WEIGHT	SCALE 4:1
		DRAWING NO 650231
		SHEET 2 OF 2