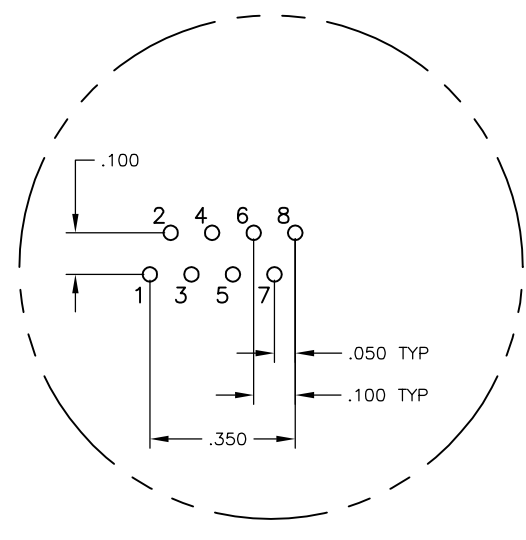
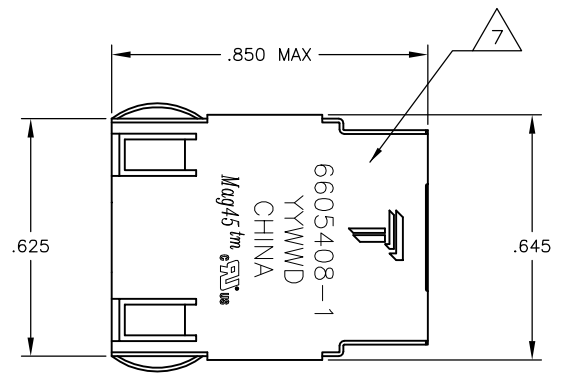


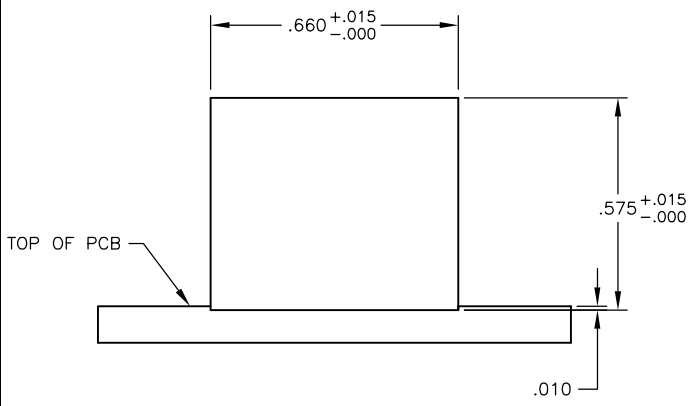
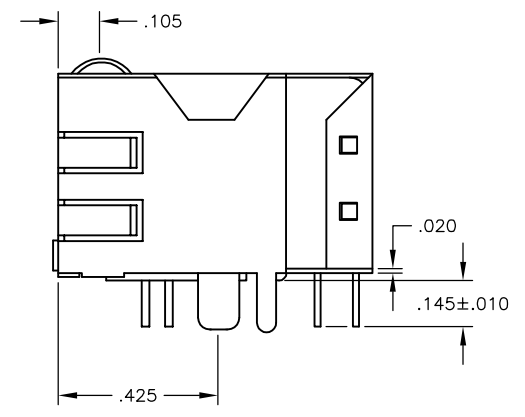
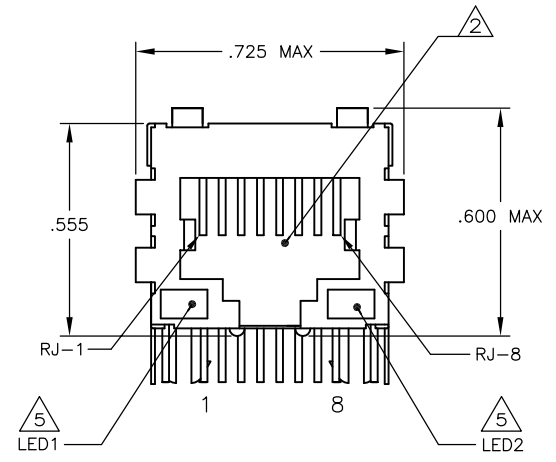
© COPYRIGHT BY TRP CONNECTOR ALL RIGHTS RESERVED.

REVISIONS					
#	LN	DESCRIPTION	DATE	BY	APP
E		LOGO CHANGE	23APR2013	JC	KZ

MECHANICAL:

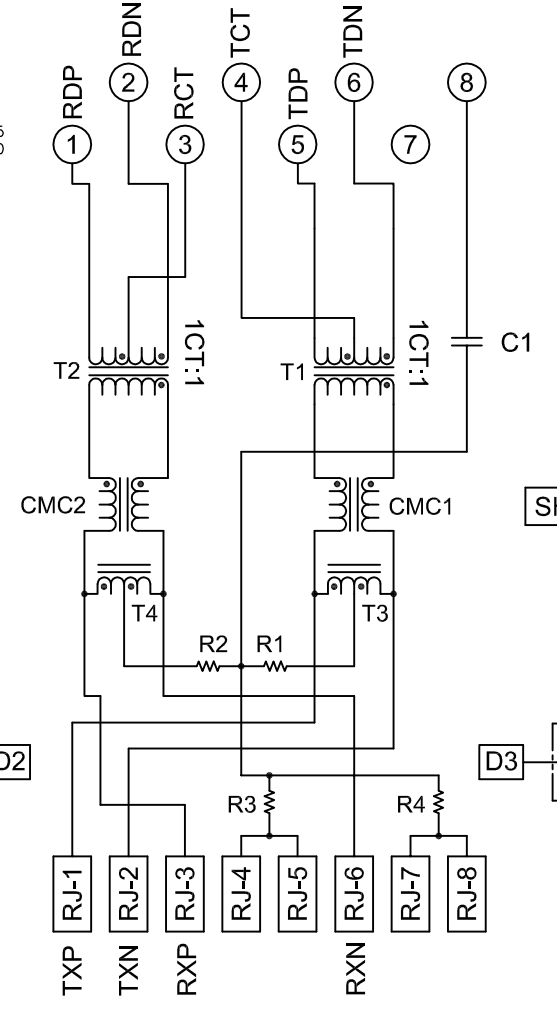


Pin Designations

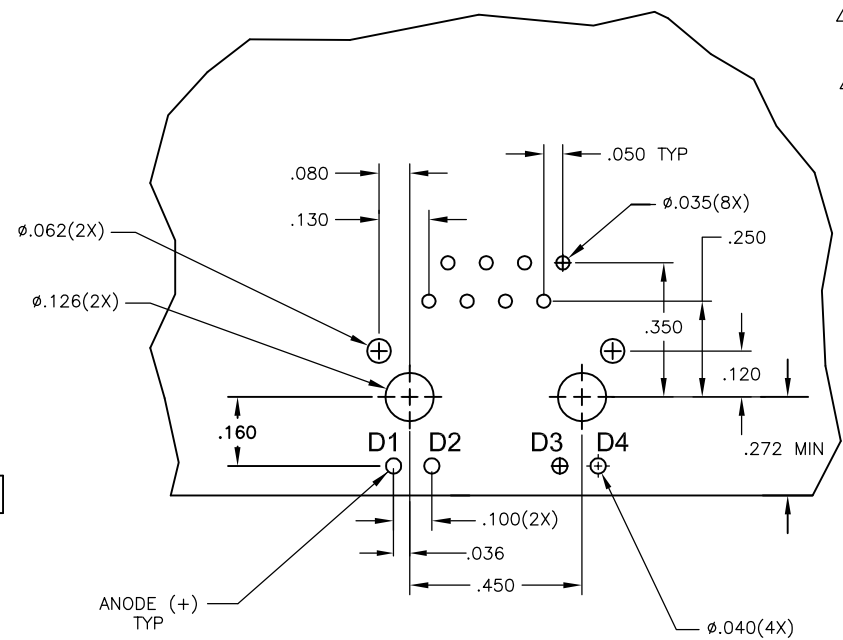


Suggested Panel Cutout

ELECTRICAL:
415 SERIES MAGNETIC CIRCUIT



C1 = 1000 pF, 2kV CAPACITOR
R1-R4 = 75 OHMS, 1/16 W RESISTORS



Suggested PCB Layout
(Component Side)

- ⚠️ **MATERIALS:**
HOUSING - THERMOPLASTIC PET POLYESTER FLAMMABILITY RATING UL 94V-0.
SHIELD - .010" THICK, C26800 BRASS PREPLATED WITH 30μINCH SEMI-BRIGHTNICKEL.
SOLDER TABS POST DIPPED WITH 100μINCH MIN SAC SOLDER.
MOD JACK CONTACTS - 0.0157 X 0.018" PHOSPHOR BRONZE, 50μINCH MIN OVERALL NICKEL UNDERPLATE, WITH SELECT 50μINCH MIN HARD GOLD FINISH PLATE SOLDER TAILS WITH 100μINCH MIN MATTE TIN AND/OR SAC SOLDER DIP.
LIGHT EMITTING DIODE(LED) - DIFFUSED EPOXY LENS, .020" x .020" CARBON STEEL WIREFRAME LEADS PRE-PLATED WITH 80μINCH SILVER OVER 40μINCH NICKEL UNDERPLATE OVER 40μINCH COPPER UNDERPLATE. POST-PLATED WITH 100μINCH MIN MATTE TIN AND/OR SAC SOLDER DIP OR PURE TIN SOLDER DIP.
- ⚠️ **RJ45 JACK CAVITY CONFORMS TO FCC RULES AND REGULATIONS PART 68, SUBPART F.**
- ⚠️ **MAGNETICS**
-IMPEDANCE: 100 OHMS
-TURNS RATIO (CHIP:CABLE): TX = 1:1, RX = 1:1
-OPEN CIRCUIT INDUCTANCE (OCL): 350μH MIN @100kHz, 0.1VRMS, 8mADC BIAS FROM 0°C TO 70°C, TX AND RX
-PERFORMANCE @ 25°C:
INSERTION LOSS (IL): 1.1dB MAX FROM 0.5MHZ TO 100MHZ
RETURN LOSS (RL): 18dB MIN FROM 0.5MHZ TO 30MHZ
18-20LOG(f/30)dB MIN FROM 30.1MHZ TO 60MHZ
12dB MIN FROM 60.1MHZ TO 80MHZ
CROSSTALK ATTENUATION: 35dB MIN FROM 0.5MHZ TO 40MHZ
33-20*LOG(f/50)dB MIN FROM 40.1MHZ TO 100MHZ
COMMON MODE REJECTION RATIO (CMRR): 30dB MIN FROM 0.5MHZ TO 100MHZ
-ISOLATION VOLTAGE: 2250 VDC FOR 60 SECONDS DURATION.
- 4. OPERATING TEMPERATURE: FROM 0°C TO + 70°C.
- ⚠️ THE LED WITH 250 OHM RESISTORS, LED IS DRIVEN WITH 5V VOLTAGE AND THE MAX OPERATING CURRENT IS 20mA. LED COLOR :
DOMINANT WAVELENGTH (λD): GREEN 568 nm TYP. @ VF=5V
FORWARD CURRENT (IF): GREEN 12 mA TYP. @ VF=5V
DOMINANT WAVELENGTH (λD): YELLOW 588 nm TYP. @ VF=5V
FORWARD CURRENT (IF): YELLOW 13 mA TYP. @ VF=5V
- ⚠️ INDICATED CONNECTIONS ARE FOR NIC CONFIGURATION. THE MAGNETICS ARE SYMMETRIC, AND ARE AUTO-MDI/MDIX CAPABLE.
- ⚠️ TRP CONNECTOR LOGO, PART NUMBER, DATE CODE, COUNTRY OF ORIGIN AND AGENCY APPROVAL MARKING IN APPROXIMATE LOCATION SHOWN.
- 8. THESE PARTS ARE RECOMMENDED FOR WAVE SOLDERING PROCESS, PREHEAT TEMPERATURE IS 120°C TO 160°C, 120 SECONDS TO 180 SECONDS, PEAK WAVE SOLDERING TEMPERATURE IS 260°C MAX, 10 SECONDS MAX.

YES	GREEN	YELLOW	5-6605408-1
NO	GREEN	YELLOW	6605408-1
2KV DECOUPLING CAPACITOR	LED1	LED2	PART NUMBER

THIS DRAWING IS A CONTROLLED DOCUMENT.

DIMENSIONS: INCHES 0 PLC ± - 1 PLC ± .010 2 PLC ± .010 3 PLC ± .005 4 PLC ± .005 ANGLES ± -	TOLERANCES UNLESS OTHERWISE SPECIFIED: 0 PLC ± - 1 PLC ± .010 2 PLC ± .010 3 PLC ± .005 4 PLC ± .005 ANGLES ± -	DRN: G. ATTADIA - 08MAR2005 CHK: D. FAROLE - 08MAR2005 APP: D. FAROLE - 08MAR2005 PRODUCT SPEC: 108-2100 APPLICATION SPEC: WEIGHT: MATERIAL: 1 FINISH: 1	TRP connector Dongguan China NAME: 1X1 MAG45(TM), MODULAR JACK, SHIELDED, 4N2 SCHEMATIC, 415 SERIES CIRCUIT, OPTIONAL DECOUPLING CAPACITOR, WITH RESISTOR LEADS SIZE: A1 SCALE: NTS SHEET: 1 OF 1 REV: E
--	---	---	--